



US00D903183S

(12) **United States Design Patent**
Eads et al.

(10) **Patent No.: US D903,183 S**

(45) **Date of Patent: ** Nov. 24, 2020**

(54) **LIGHTING SCONCE**

(71) Applicant: **Nspire Lighting LLC**, Marion, IN (US)

(72) Inventors: **Thad J. Eads**, Urbana, IN (US); **Jake W. Miller**, Fishers, IN (US); **Michael C. Sale**, Kirkwood, MO (US)

(73) Assignee: **Nspire Lighting LLC**, Marion, IN (US), an Indiana limited liability company

(**) Term: **15 Years**

(21) Appl. No.: **29/655,664**

(22) Filed: **Jul. 5, 2018**

(51) **LOC (12) Cl.** **26-03**

(52) **U.S. Cl.**
USPC **D26/89**; D26/88

(58) **Field of Classification Search**
USPC D26/67, 72, 85, 87, 88, 89, 90, 128, 137
CPC F21S 8/03; F21S 8/035; F21S 8/036; F21S 8/043; F21S 8/06; F21S 8/061; F21S 8/063; F21S 13/02; F21S 13/04; F21S 13/10; F21V 21/104; F21W 2121/004; F21W 2131/109

See application file for complete search history.

(56) **References Cited**

U.S. PATENT DOCUMENTS

D57,563 S *	4/1921	Adam	D26/89
D65,919 S *	11/1924	Monroe	D26/89
D71,155 S *	9/1926	Schweiker	D26/89
D89,889 S *	5/1933	Grier	D26/72
D92,618 S *	6/1934	Leinen	D26/88
D92,636 S *	6/1934	Wideroe	D26/88
D92,702 S *	7/1934	Cowen	D26/89
D97,039 S *	10/1935	Cowan	D26/72
3,819,141 A *	6/1974	Mori	F21V 21/03 248/222.14
D559,426 S *	1/2008	Hoernig	D26/11

D596,334 S *	7/2009	Sabernig	D26/88
D788,348 S *	5/2017	Hendifar	D26/84
D818,625 S *	5/2018	Hohaus	D26/72

(Continued)

OTHER PUBLICATIONS

Vintage Industrial Style Wall Light from etsy.com shop: StesUpcycleWorkshop visited Mar. 30, 2020. (Year: 2020).*

(Continued)

Primary Examiner — Clare E Heflin

(74) *Attorney, Agent, or Firm* — Hamby Law Firm; Bruce W. Hamby

(57) **CLAIM**

The ornamental design for a lighting sconce, as shown and described.

DESCRIPTION

FIG. 1 is a front lower perspective view of a lighting sconce showing our new design.

FIG. 2 is a rear upper perspective view of a lighting sconce showing our new design.

FIG. 3 is a front lower perspective exploded view of a lighting sconce showing our new design.

FIG. 4 is a rear upper perspective exploded view of a lighting sconce showing our new design.

FIG. 5 is a front elevational view of a lighting sconce showing our new design.

FIG. 6 is a right elevational view of a lighting sconce showing our new design.

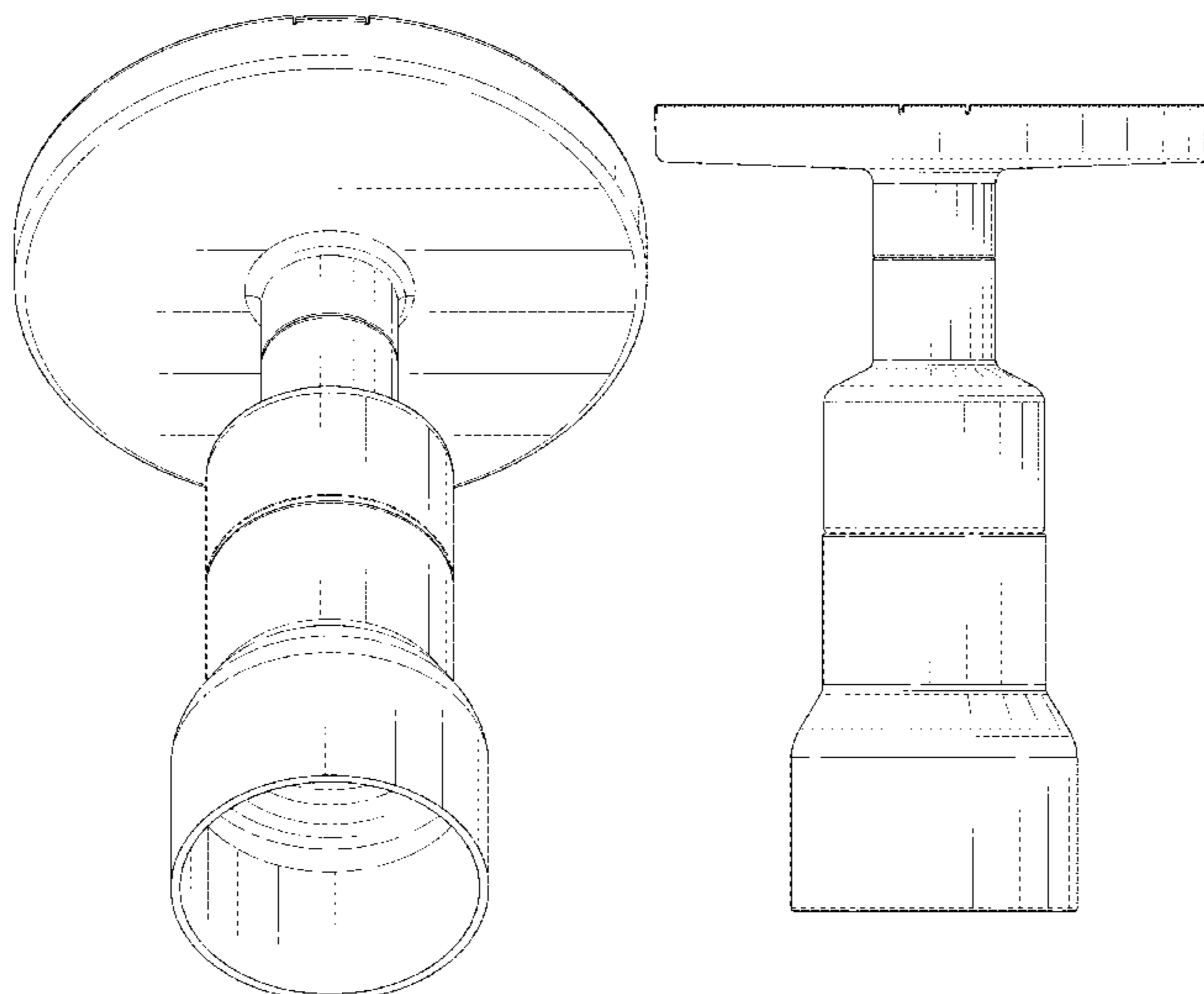
FIG. 7 is a back elevational view of a lighting sconce showing our new design.

FIG. 8 is a left elevational view of a lighting sconce showing our new design.

FIG. 9 is a top plan view of a lighting sconce showing our new design; and,

FIG. 10 is a bottom plan view of a lighting sconce showing our new design.

1 Claim, 9 Drawing Sheets



(56)

References Cited

U.S. PATENT DOCUMENTS

D829,959 S * 10/2018 Amato D26/89
2015/0282269 A1 * 10/2015 Krall F21V 7/0016
362/230
2017/0159918 A1 * 6/2017 Yang F21V 23/002

OTHER PUBLICATIONS

Insulator Light LED Pendant from railroadware.com, visited Mar. 30, 2020. (Year: 2020).*

Brass Pendent Light from tala.com.uk visited Mar. 30, 2020. (Year: 2020).*

HULDA brass pendant lamp from screed.com.sg visited Mar. 30, 2020. (Year: 2020).*

* cited by examiner

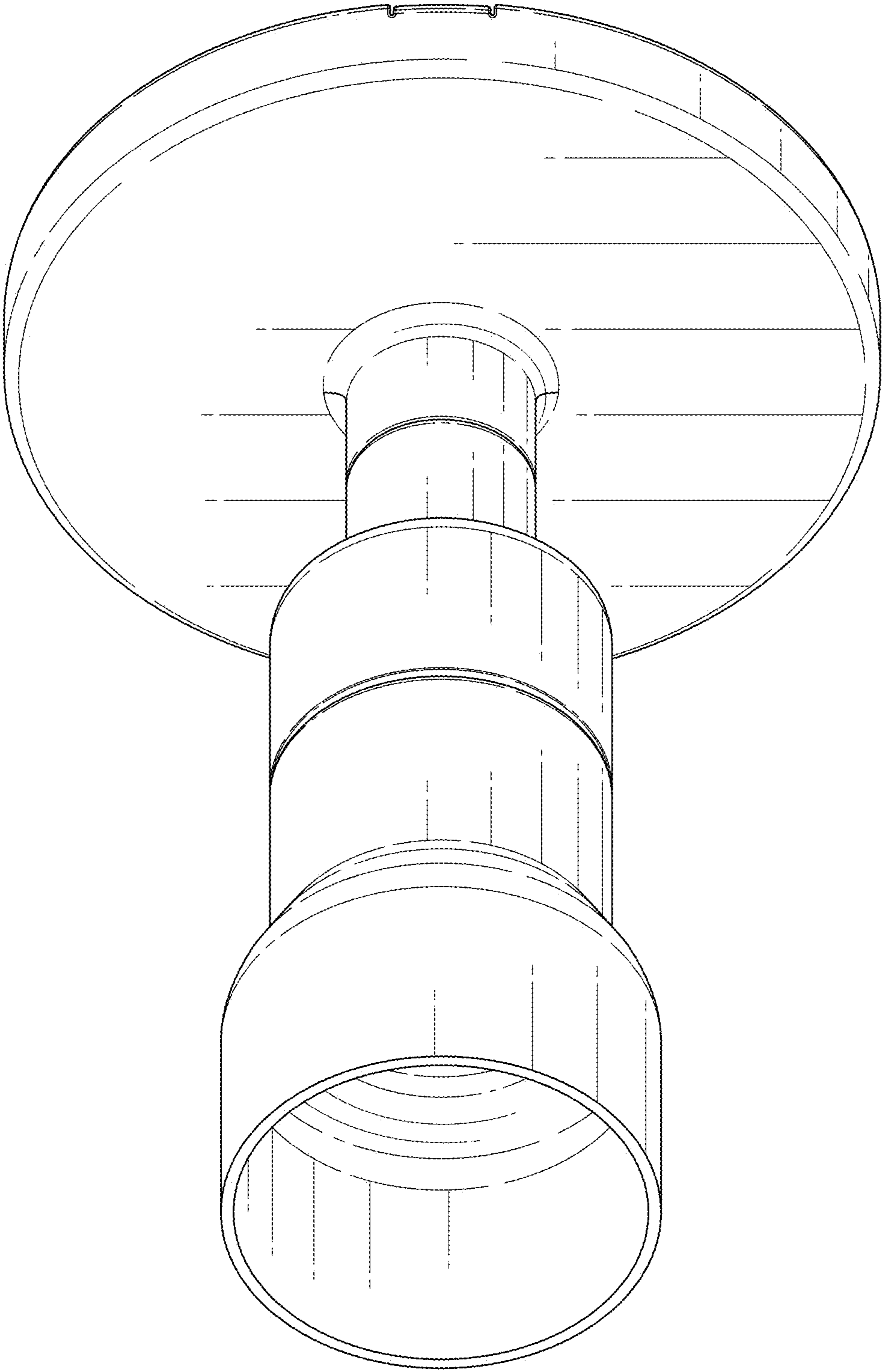


FIG. 1

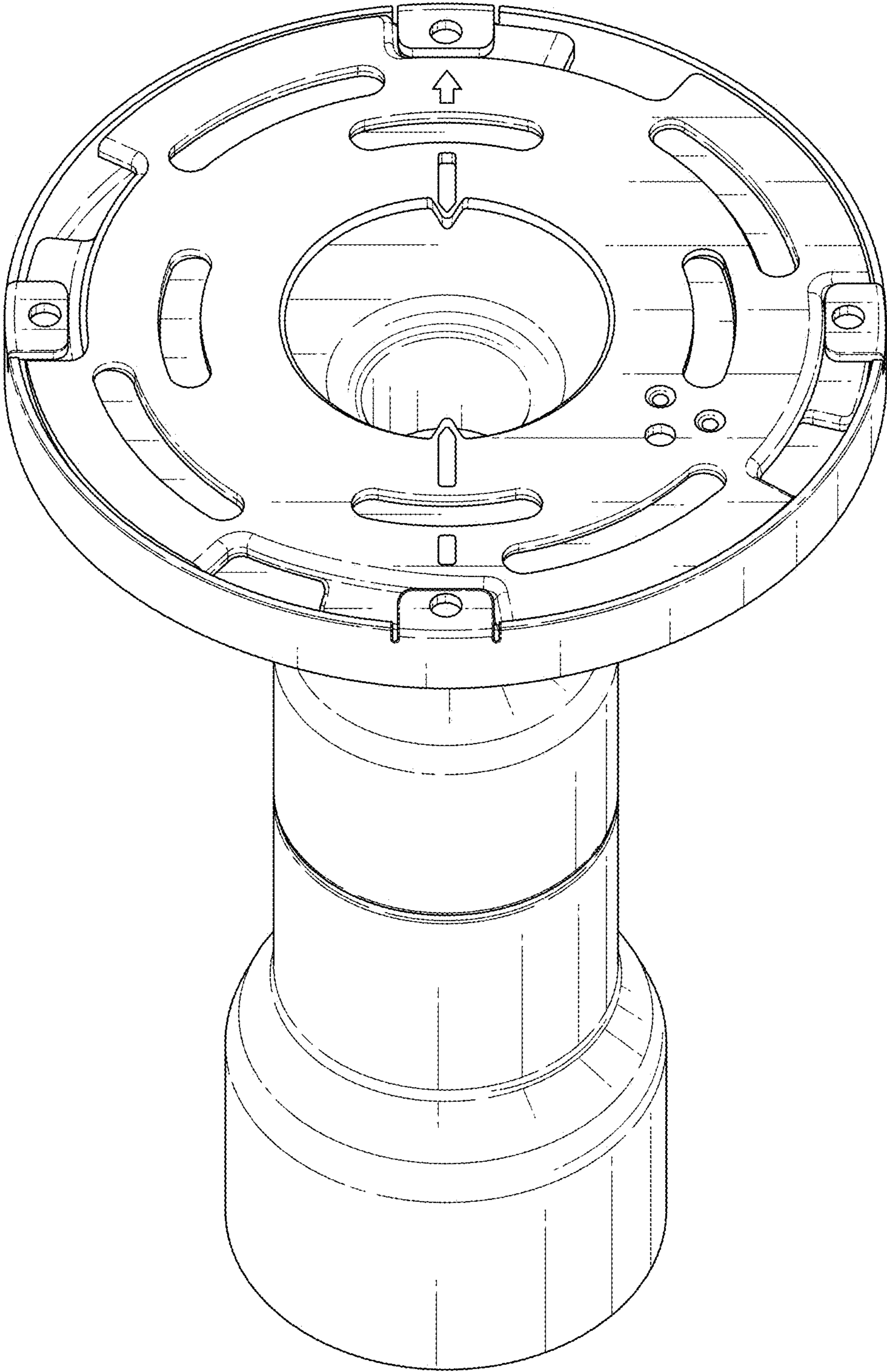


FIG. 2

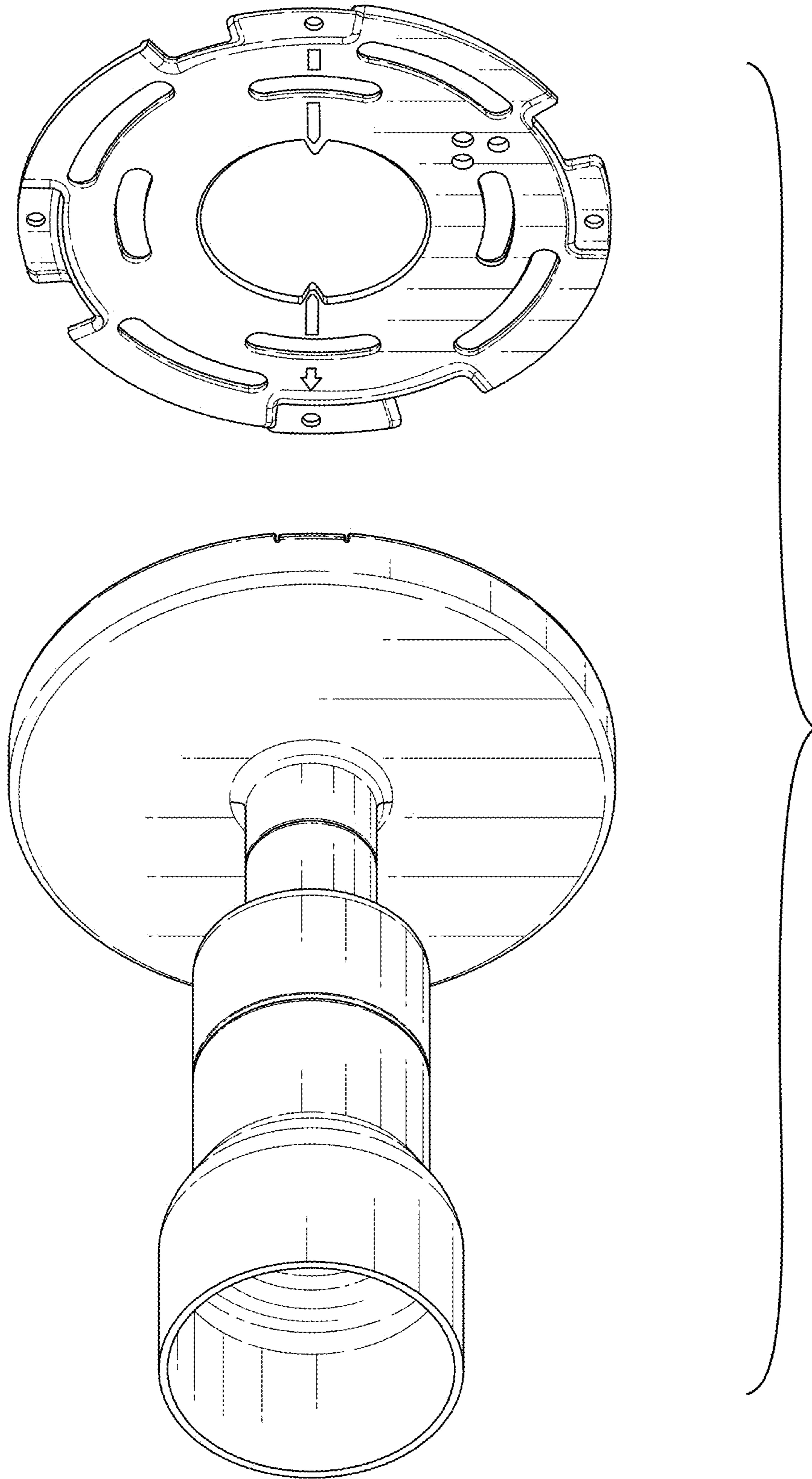


FIG. 3

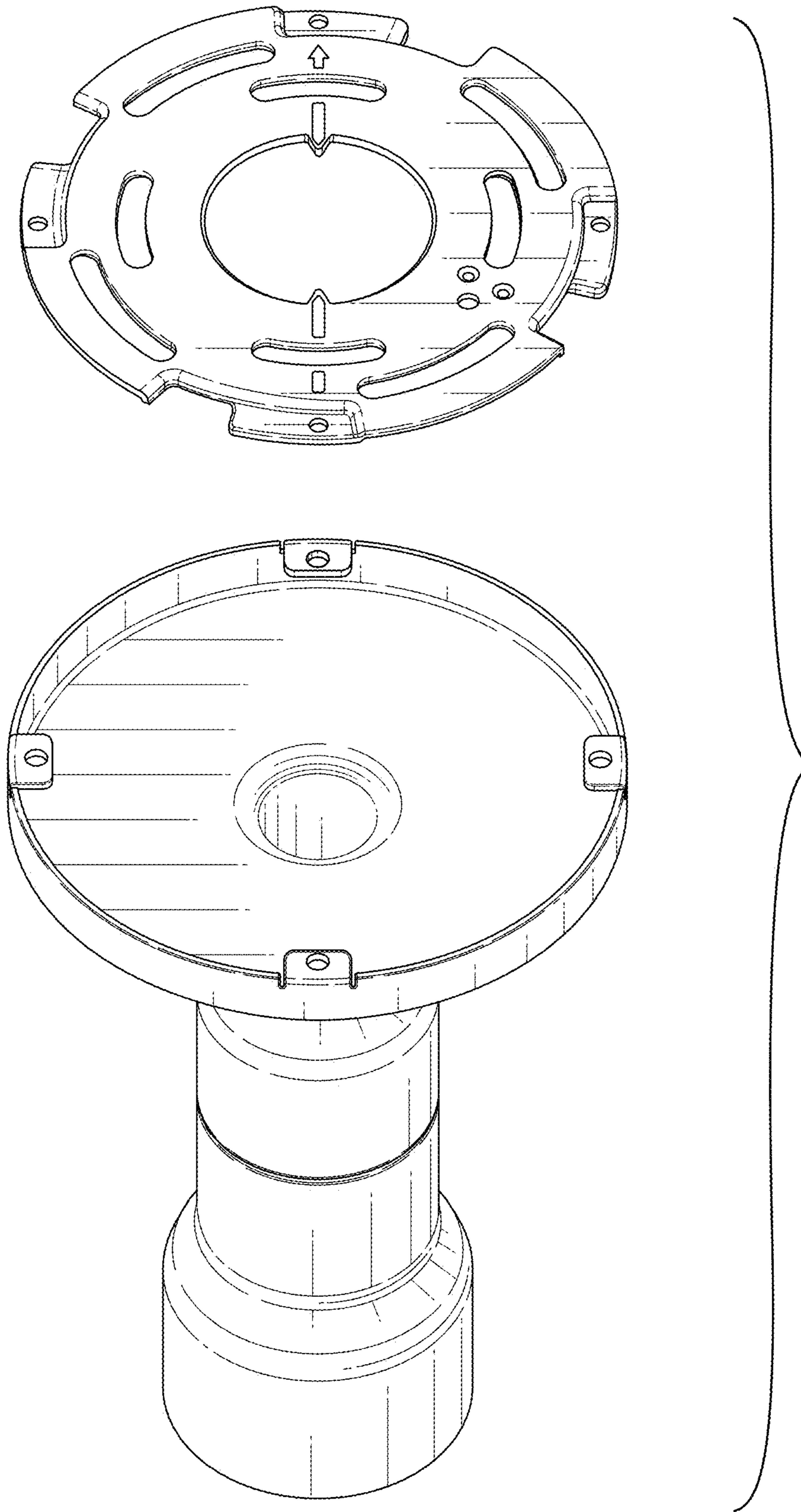


FIG. 4



FIG. 5



FIG. 6



FIG. 7



FIG. 8

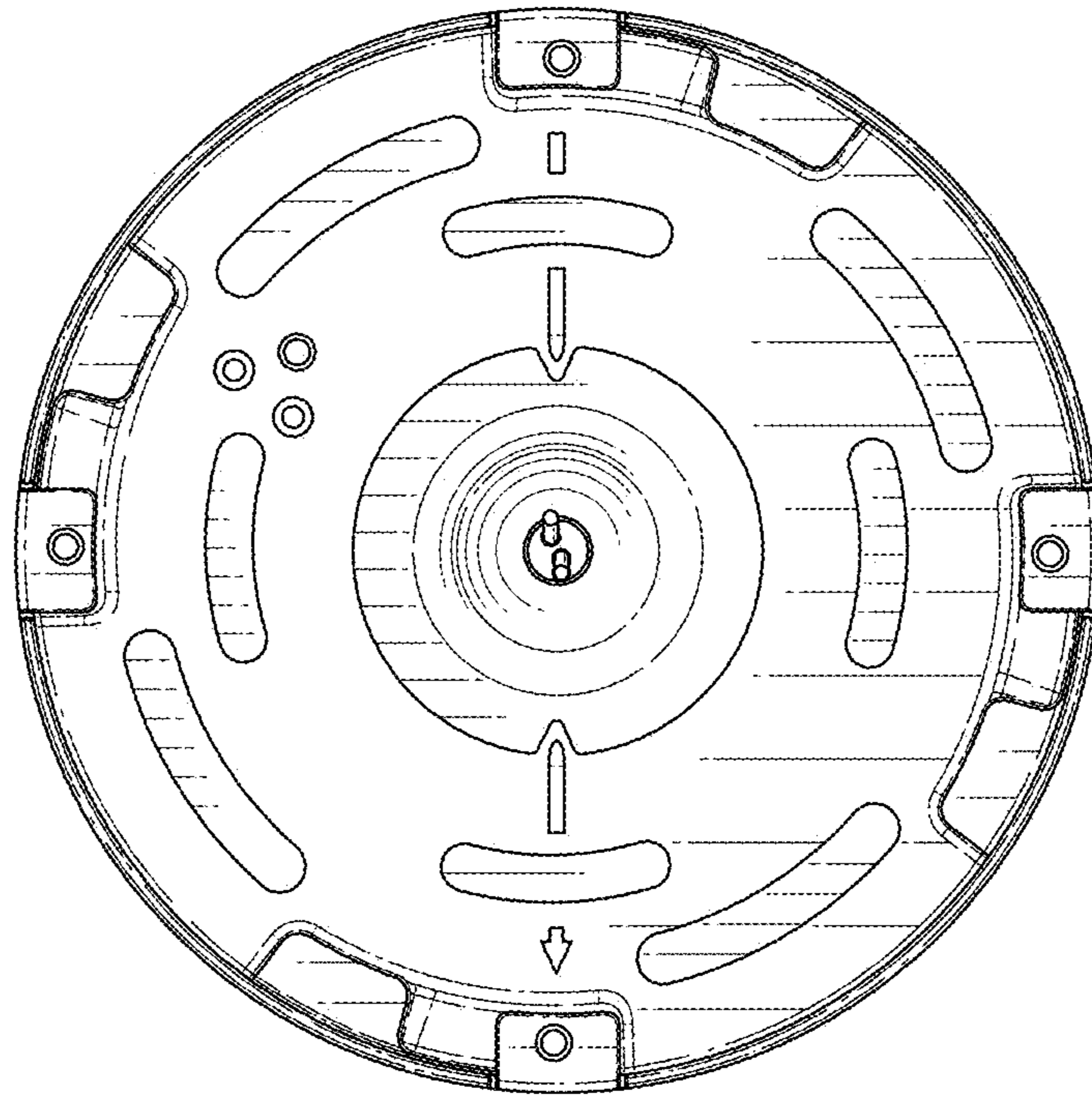


FIG. 9

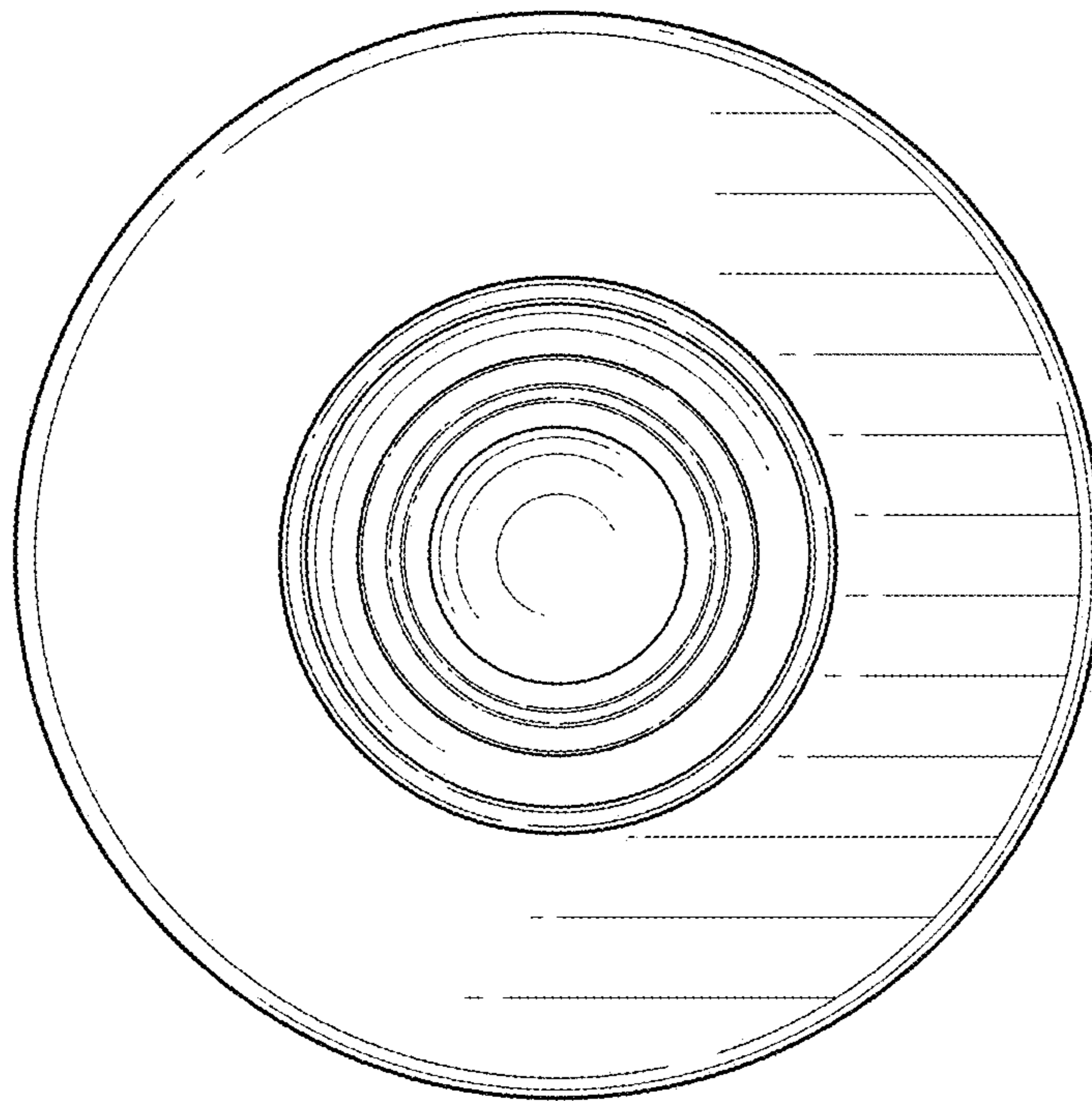


FIG. 10