

US00D903182S

(12) **United States Design Patent**
Eads et al.

(10) **Patent No.:** **US D903,182 S**

(45) **Date of Patent:** **** Nov. 24, 2020**

(54) **PENDENT LIGHTING SCONCE**

(71) Applicant: **Nspire Lighting LLC**, Marion, IN (US)

(72) Inventors: **Thad J Eads**, Urbana, IN (US); **Jake W. Miller**, Fishers, IN (US); **Michael C. Sale**, Kirkwood, MO (US)

(73) Assignee: **Nspire Lighting LLC**, Marion, IN (US)

(**) Term: **15 Years**

(21) Appl. No.: **29/655,752**

(22) Filed: **Jul. 6, 2018**

(51) **LOC (12) Cl.** **26-03**

(52) **U.S. Cl.**
USPC **D26/88**

(58) **Field of Classification Search**
USPC D26/67, 72, 85, 87, 88, 90, 128, 137
CPC F21S 8/03; F21S 8/035; F21S 8/036; F21S 8/043; F21S 8/06; F21S 8/061; F21S 8/063; F21S 13/02; F21S 13/04; F21S 13/10; F21V 21/104; F21W 2121/004; F21W 2131/109

See application file for complete search history.

(56) **References Cited**

U.S. PATENT DOCUMENTS

D89,889 S *	5/1933	Grier	D26/72
D92,618 S *	6/1934	Leinen	D26/88
D92,636 S *	6/1934	Wideroe	D26/88
D92,702 S *	7/1934	Cowan	D26/89
D97,039 S *	10/1935	Cowan	D26/72
3,819,141 A *	6/1974	Mori	F21V 21/03 248/222.14
D559,426 S *	1/2008	Hoernig	D26/11
D596,334 S *	7/2009	Sabernig	D26/88
D788,348 S *	5/2017	Hendifar	D26/84
D818,625 S *	5/2018	Hohaus	D26/72

(Continued)

OTHER PUBLICATIONS

Vintage Industrial Style Wall Light from etsy.com shop: StesUpcycleWorkshop visited Mar. 30, 2020. (Year: 2020).*

(Continued)

Primary Examiner — Clare E Heflin

(74) *Attorney, Agent, or Firm* — Hamby Law Firm; Bruce W. Hamby

(57) **CLAIM**

The ornamental design for a pendent lighting sconce, as shown and described.

DESCRIPTION

FIG. 1 is a front lower perspective view of a pendent lighting sconce showing our new design.

FIG. 2 is a rear upper perspective view of a pendent lighting sconce showing our new design.

FIG. 3 is a front lower perspective exploded view of a pendent lighting sconce showing our new design.

FIG. 4 is a rear upper perspective exploded view of a pendent lighting sconce showing our new design.

FIG. 5 is a front elevational view of a pendent lighting sconce showing our new design.

FIG. 6 is a right elevational view of a pendent lighting sconce showing our new design.

FIG. 7 is a back elevational view of a pendent lighting sconce showing our new design.

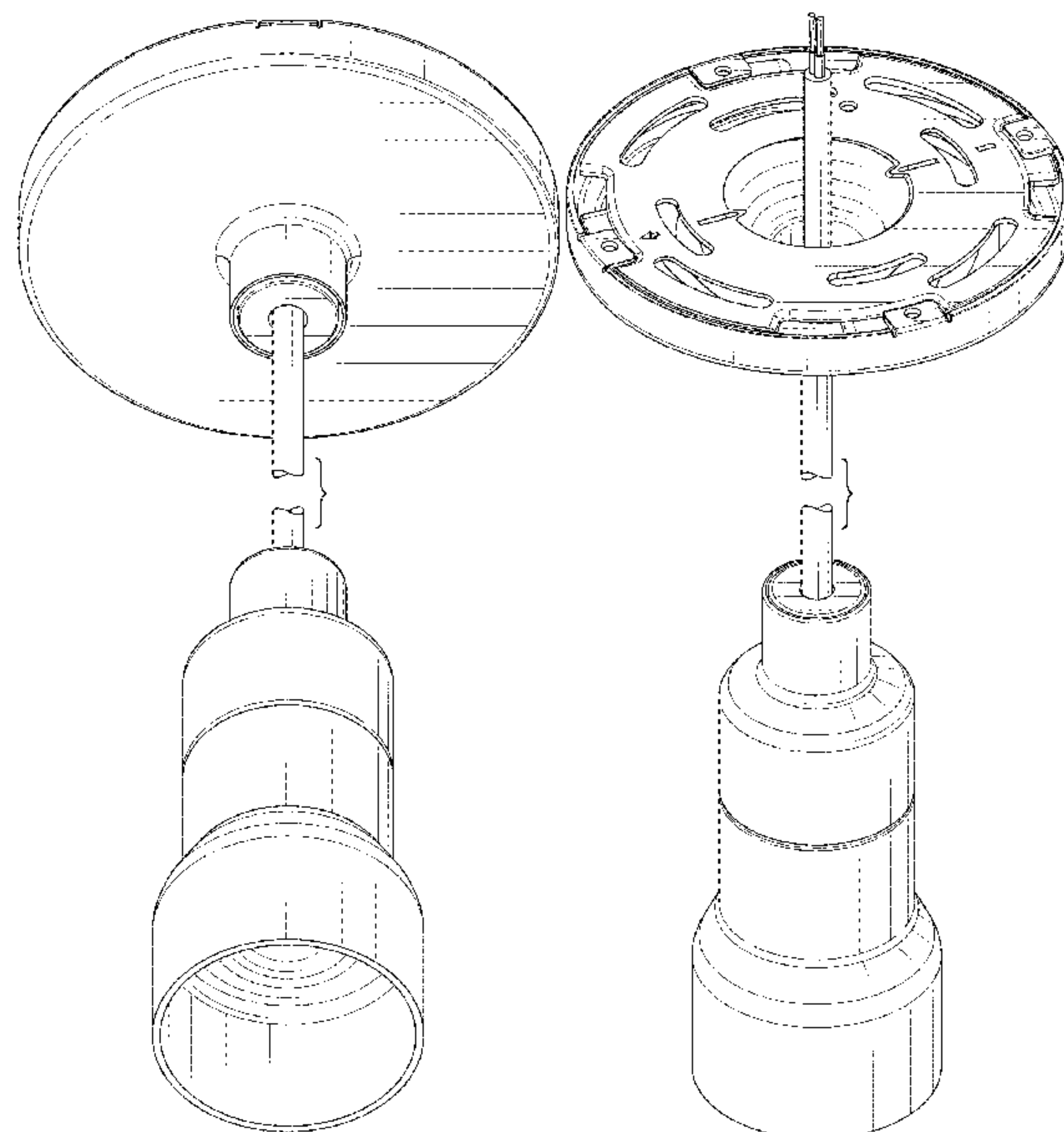
FIG. 8 is a left elevational view of a pendent lighting sconce showing our new design.

FIG. 9 is a top plan view of a pendent lighting sconce showing our new design; and,

FIG. 10 is a bottom plan view of a pendent lighting sconce showing our new design.

The portions shown broken away in the drawings depict symbolic breaks in the suspension rod. The appearance of any portion of the article between the symbolic breaks forms no part of the claimed design.

1 Claim, 9 Drawing Sheets



(56)

References Cited

U.S. PATENT DOCUMENTS

D829,959 S * 10/2018 Amato D26/89
2017/0159918 A1 * 6/2017 Yang F21V 23/002

OTHER PUBLICATIONS

Insulator Light LED Pendant from railroadware.com, visited Mar.
30, 2020. (Year: 2020).*

* cited by examiner

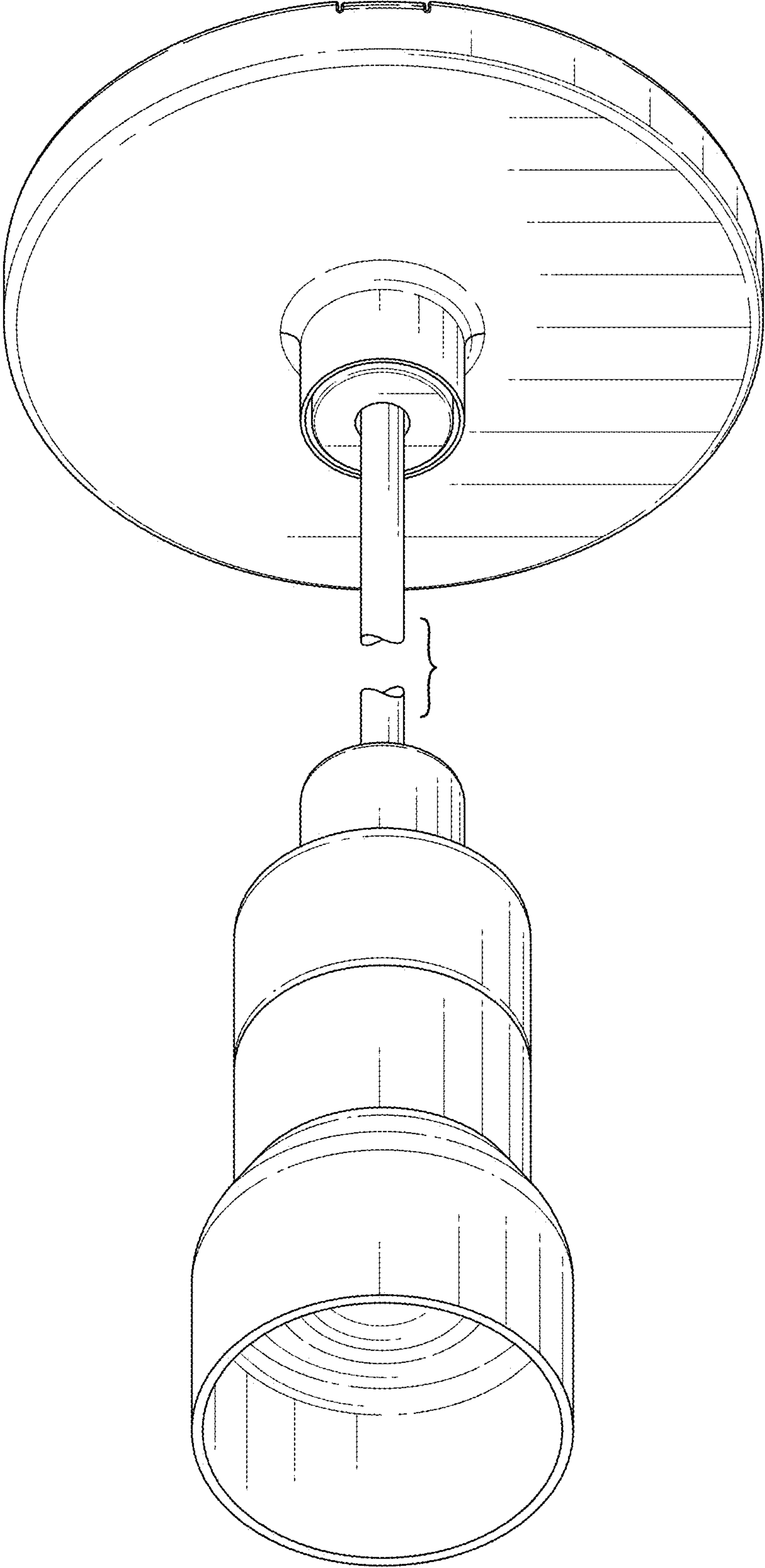


FIG. 1

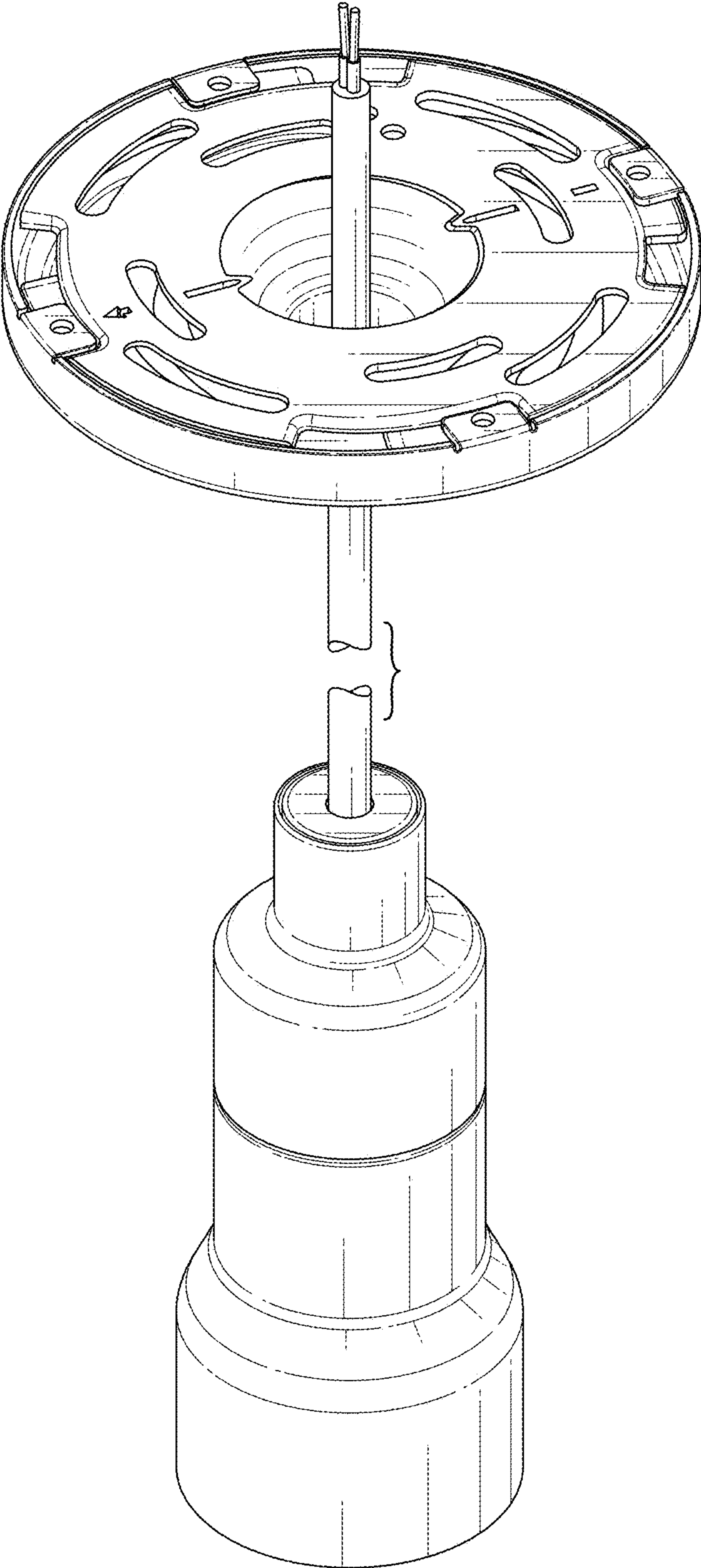


FIG. 2

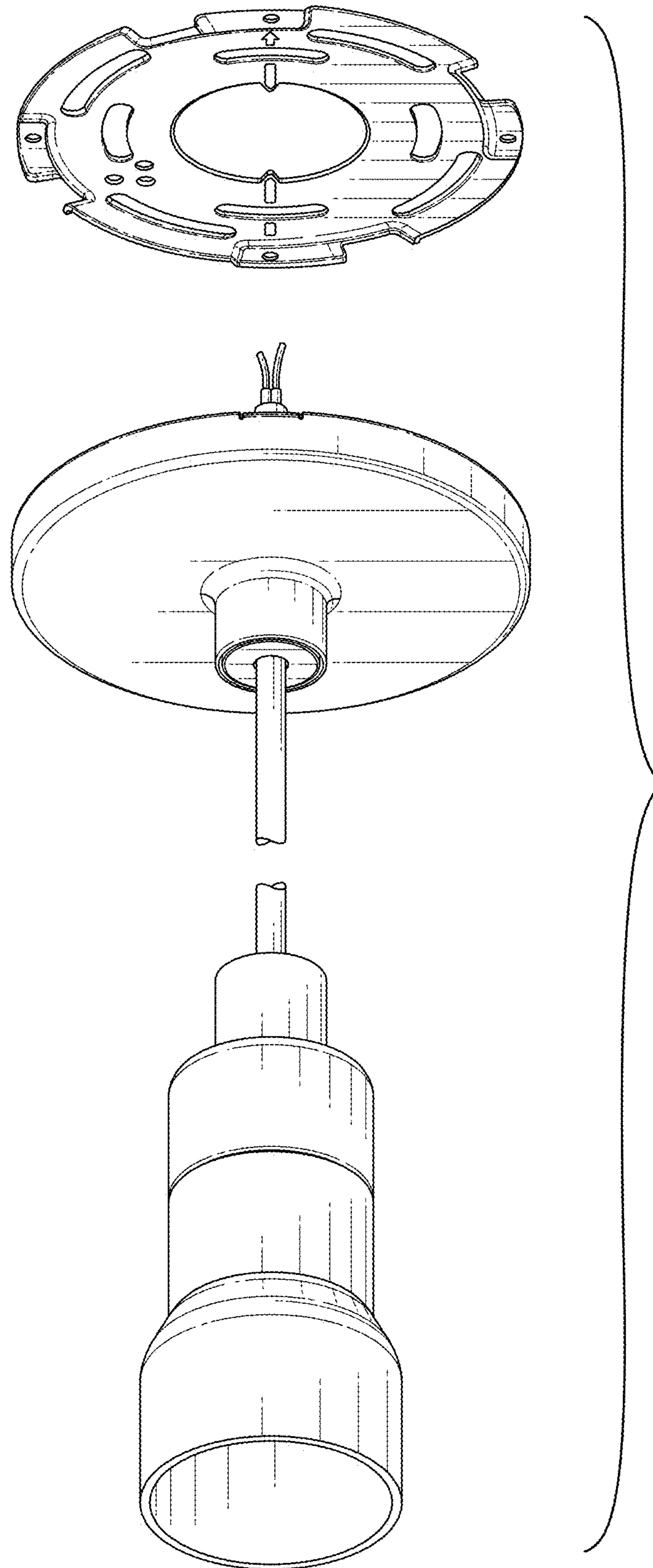


FIG. 3

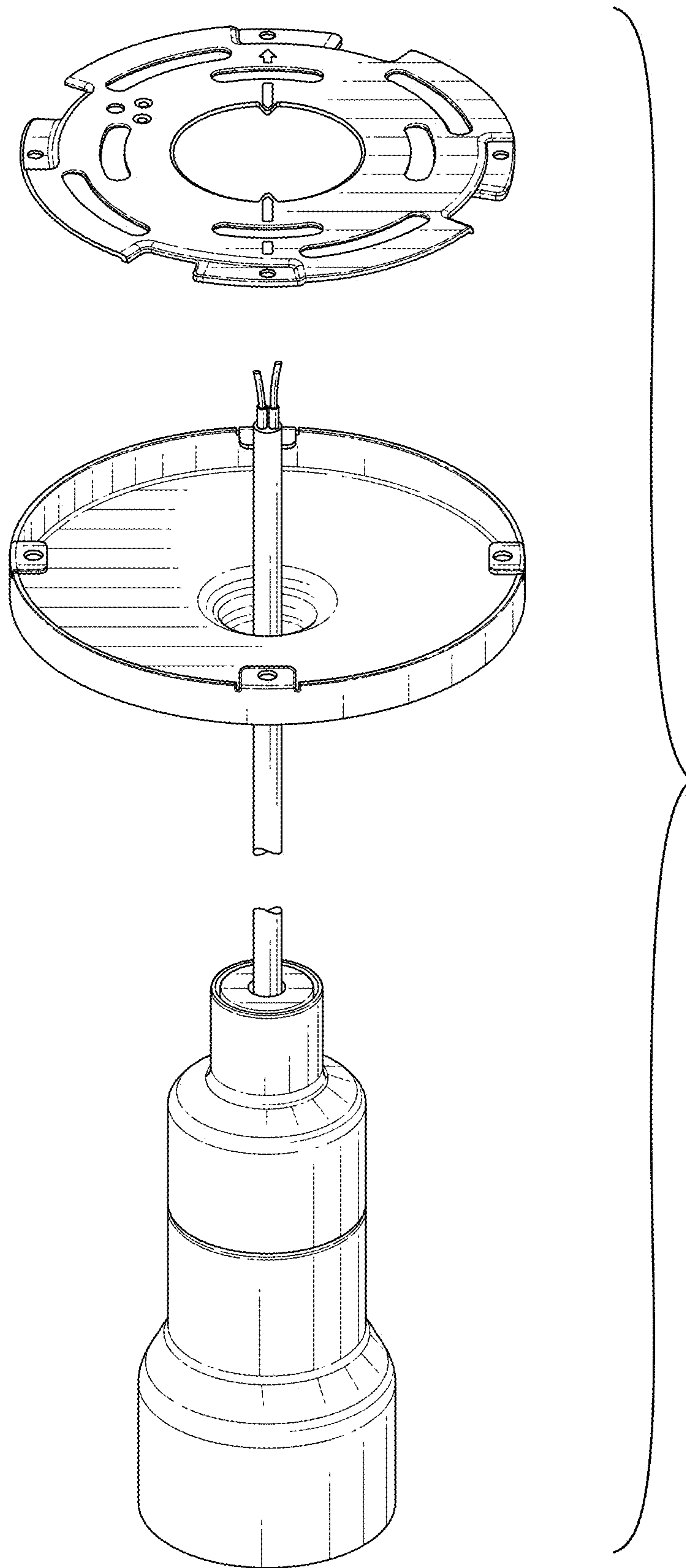


FIG. 4

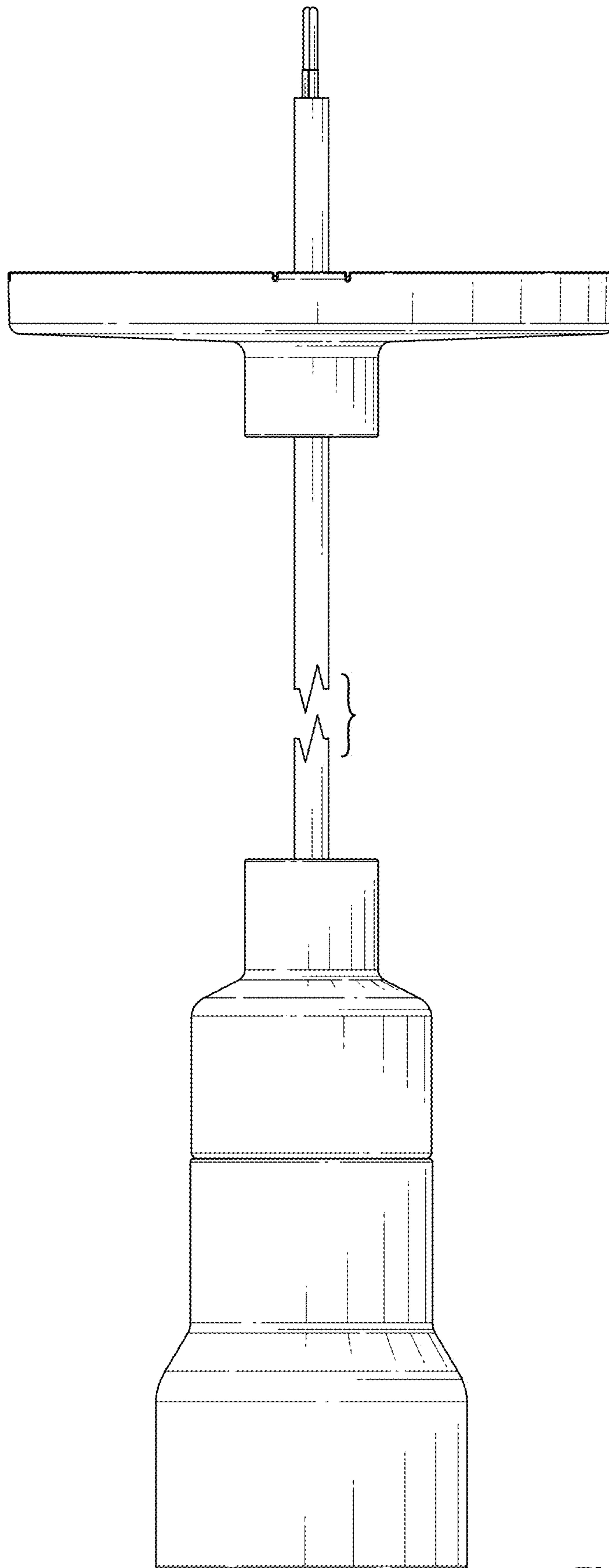


FIG. 5

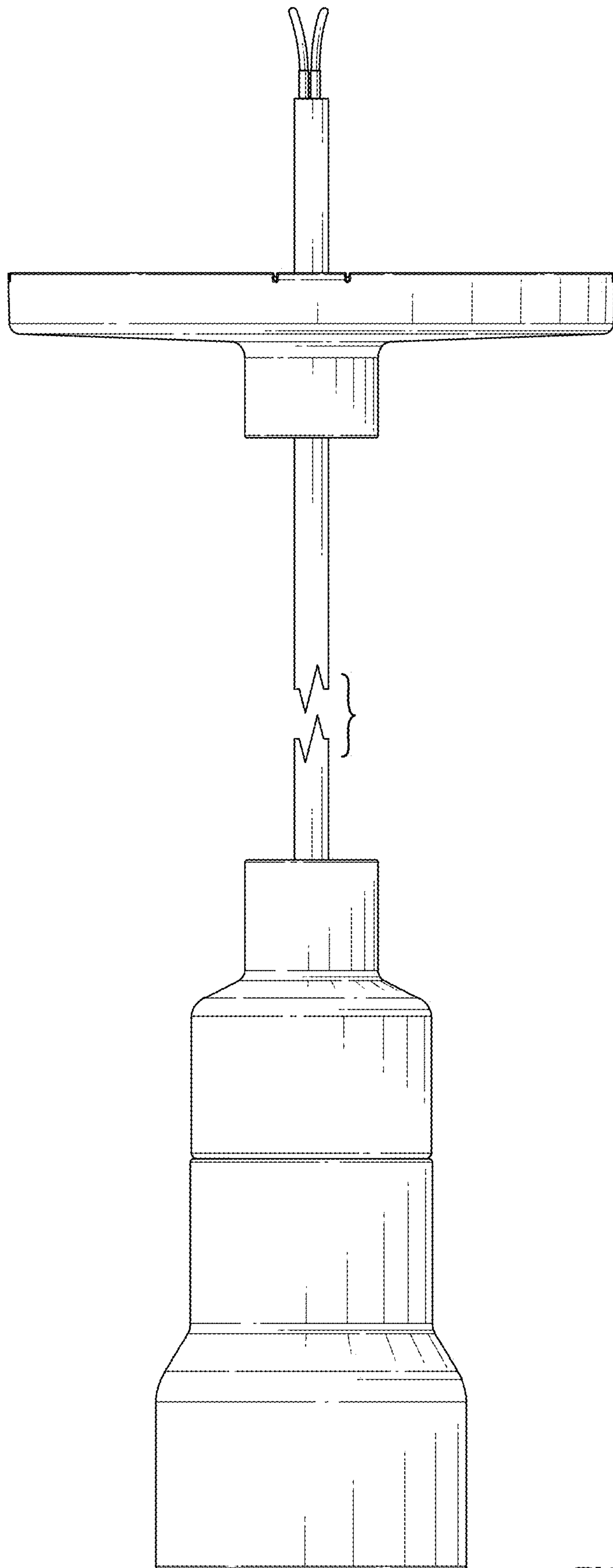


FIG. 6

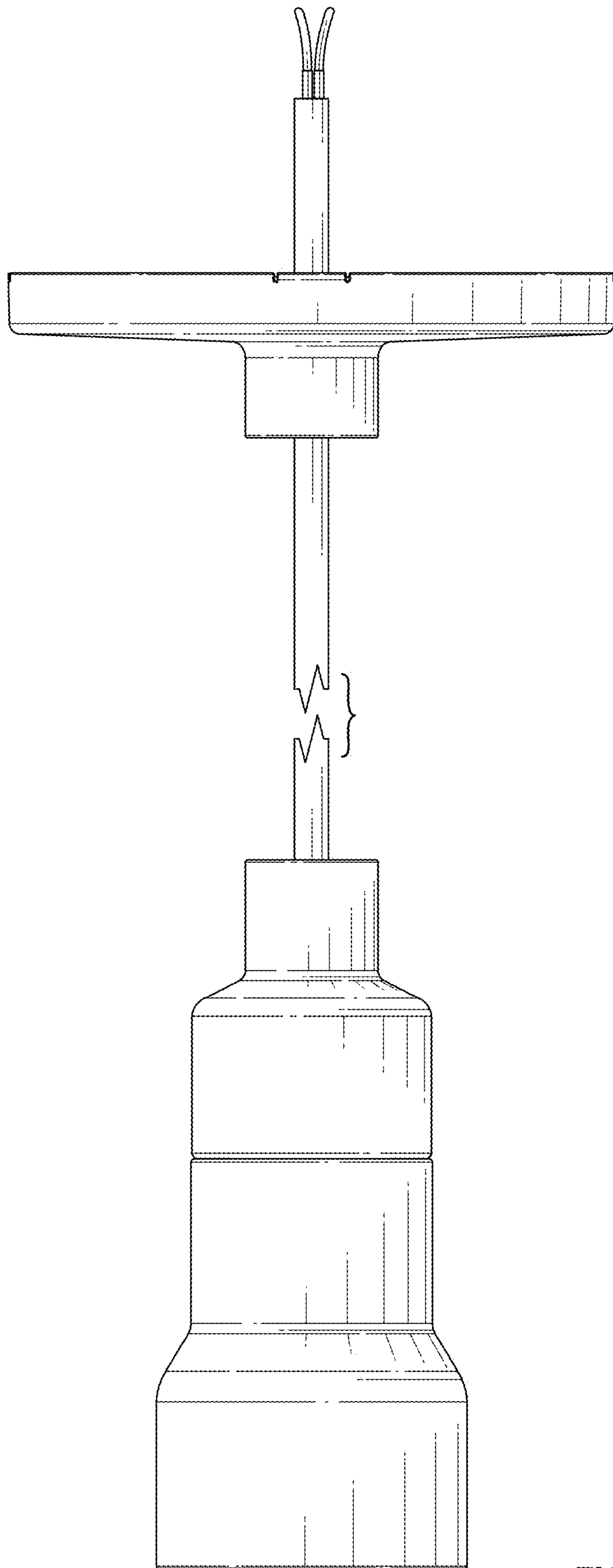


FIG. 7

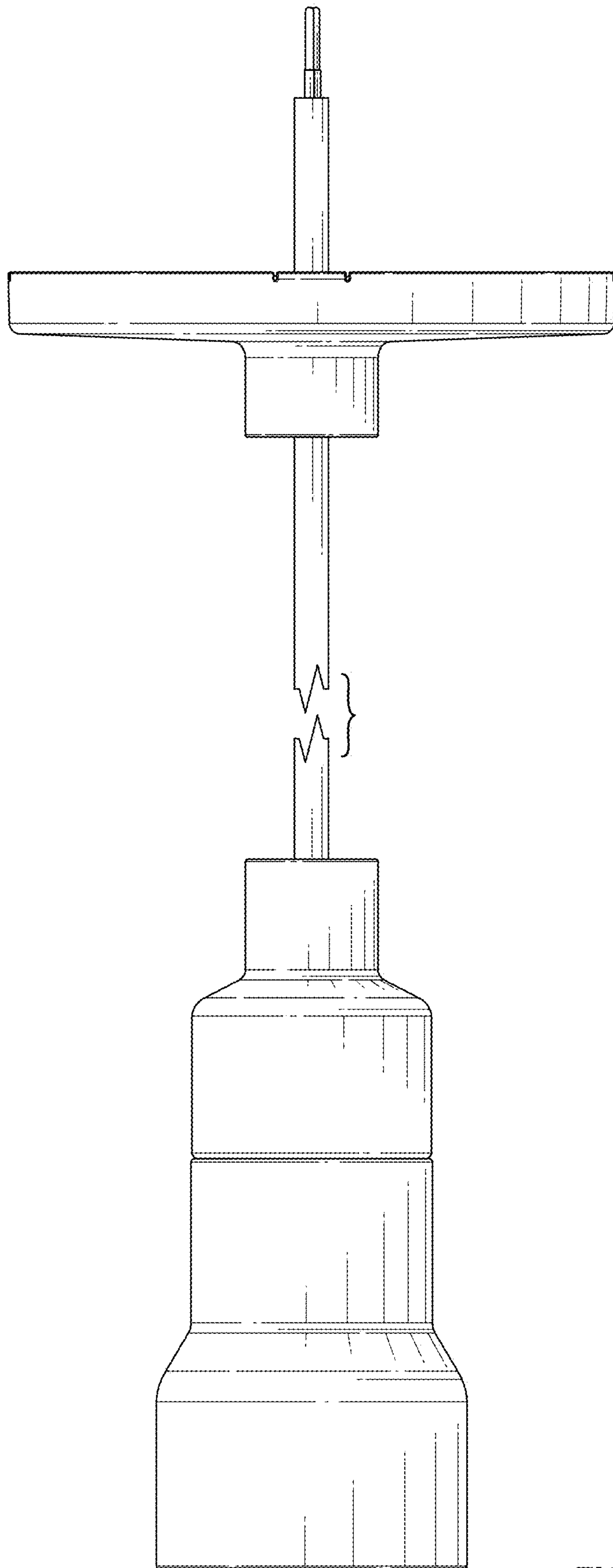


FIG. 8

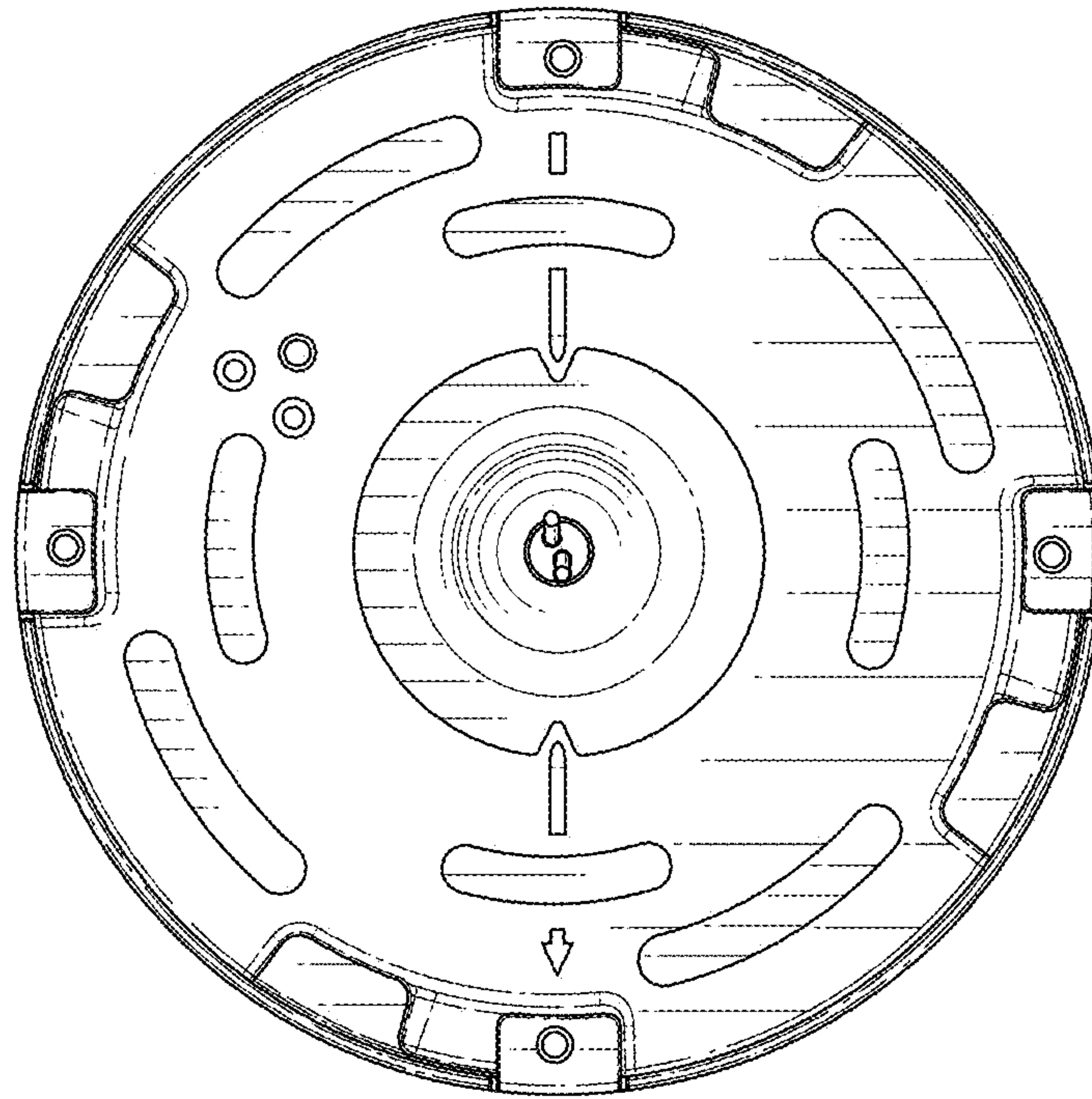


FIG. 9

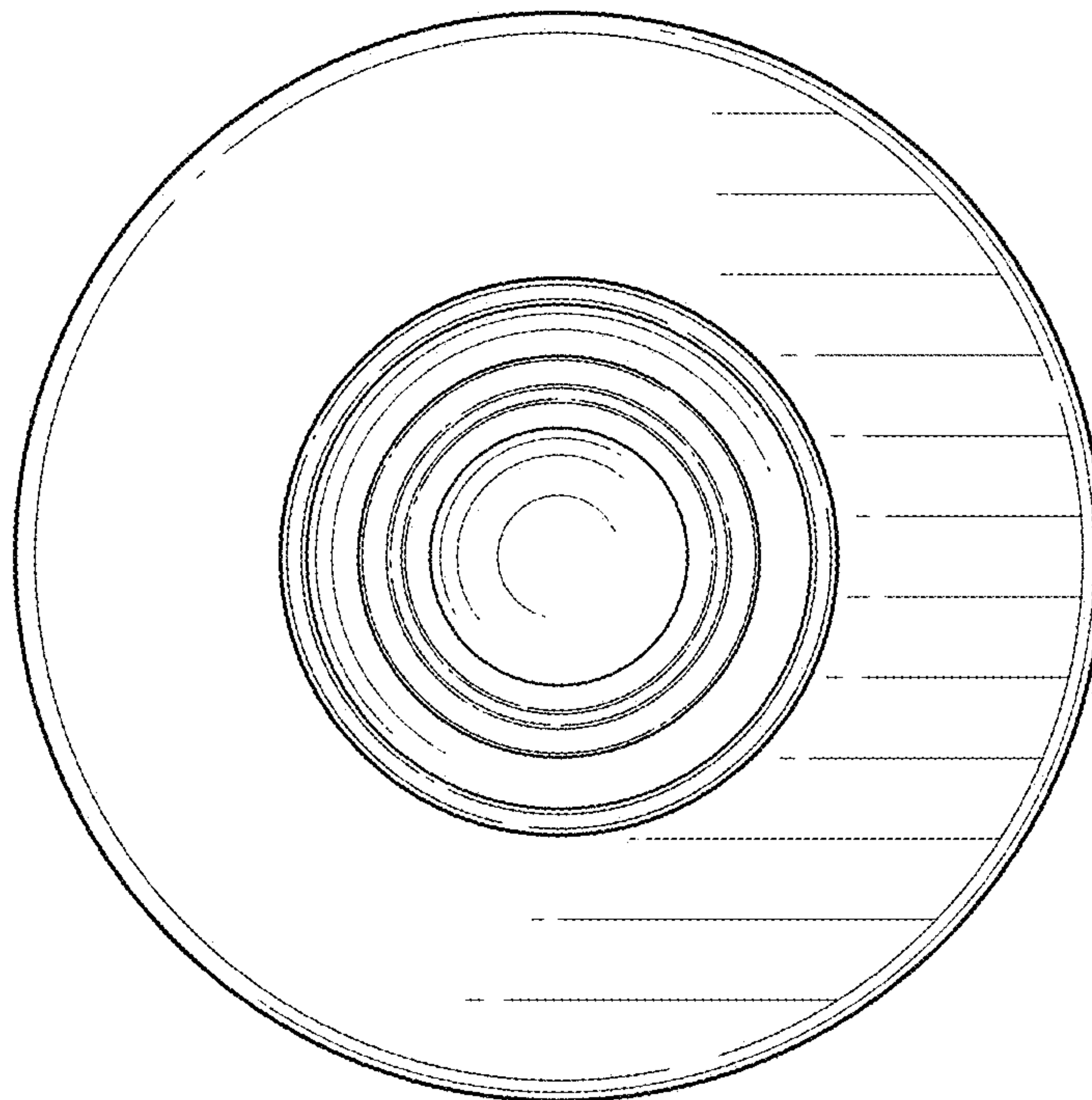


FIG. 10