



US00D903181S

(12) **United States Design Patent**  
**Fu**

(10) **Patent No.: US D903,181 S**

(45) **Date of Patent: \*\* Nov. 24, 2020**

(54) **WALL LIGHT**

(71) Applicant: **Chuanqi Fu**, Fuzhou (CN)

(72) Inventor: **Chuanqi Fu**, Fuzhou (CN)

(\*\*) Term: **15 Years**

(21) Appl. No.: **29/735,825**

(22) Filed: **May 25, 2020**

(51) **LOC (12) Cl. .... 26-03**

(52) **U.S. Cl.**  
USPC ..... **D26/85**

(58) **Field of Classification Search**

USPC ..... D26/63, 67-70, 85, 72, 87  
CPC .. F21S 8/081; F21S 8/083; F21S 8/088; F21S  
9/03; F21S 9/035; F21S 9/037; F21V  
21/0824; F21W 2111/02; F21W 2111/023;  
F21W 2131/109; G09F 13/0404; G09F  
2013/0431  
See application file for complete search history.

(56) **References Cited**

**U.S. PATENT DOCUMENTS**

|              |         |                        |        |
|--------------|---------|------------------------|--------|
| D197,530 S * | 2/1964  | Jaffe, Jr. et al. .... | D26/85 |
| D206,454 S * | 12/1966 | Rosen .....            | D26/80 |
| D248,184 S * | 6/1978  | Roberts .....          | D26/85 |
| D265,765 S * | 8/1982  | Hawkins .....          | D20/42 |
| D442,729 S * | 5/2001  | Ruggles .....          | D26/87 |
| D553,783 S * | 10/2007 | Loftus .....           | D26/67 |
| D757,984 S * | 5/2016  | Breedlove, Sr. ....    | D26/85 |
| D764,697 S * | 8/2016  | Compton .....          | D26/85 |
| D765,301 S * | 8/2016  | Orellana .....         | D26/85 |
| D803,456 S * | 11/2017 | Yang .....             | D26/85 |
| D808,569 S   | 1/2018  | Ban .....              |        |
| D816,880 S   | 5/2018  | Mou .....              |        |

|                   |         |                |                       |
|-------------------|---------|----------------|-----------------------|
| D838,401 S *      | 1/2019  | Joyeux .....   | D26/85                |
| D844,883 S        | 4/2019  | Nankil .....   |                       |
| D864,461 S *      | 10/2019 | Pickett .....  | D26/87                |
| 2008/0232094 A1 * | 9/2008  | Ramsdell ..... | F21S 8/088<br>362/153 |

**OTHER PUBLICATIONS**

Wedge 11" High Oiled Bronze LED Pocket Outdoor Wall Light—  
Style # 34W61, available at lampsplus.com as early as Jan. 17,  
2020. (Year: 2020).\*

Modern Outdoor Wall Light Black 11.75 inches Tall by Design  
Classics Lighting, available at destinationlighting.com visited Sep.  
28, 2020. (Year: 2020).\*

LUTEK Curtis 300LM 3W 3000K LED Solar Wall Light available  
at amazon.com Jul. 25, 2019. (Year: 2019).\*

\* cited by examiner

*Primary Examiner* — Clare E Heflin

(74) *Attorney, Agent, or Firm* — ScienBiziP, P.C.

(57) **CLAIM**

The ornamental design for a wall light, as shown and  
described.

**DESCRIPTION**

FIG. 1 is a front and left perspective view of a wall light,  
showing my design.

FIG. 2 is back and bottom perspective view thereof.

FIG. 3 is a front elevation view thereof.

FIG. 4 is a rear elevation view thereof.

FIG. 5 is a left side elevation view thereof.

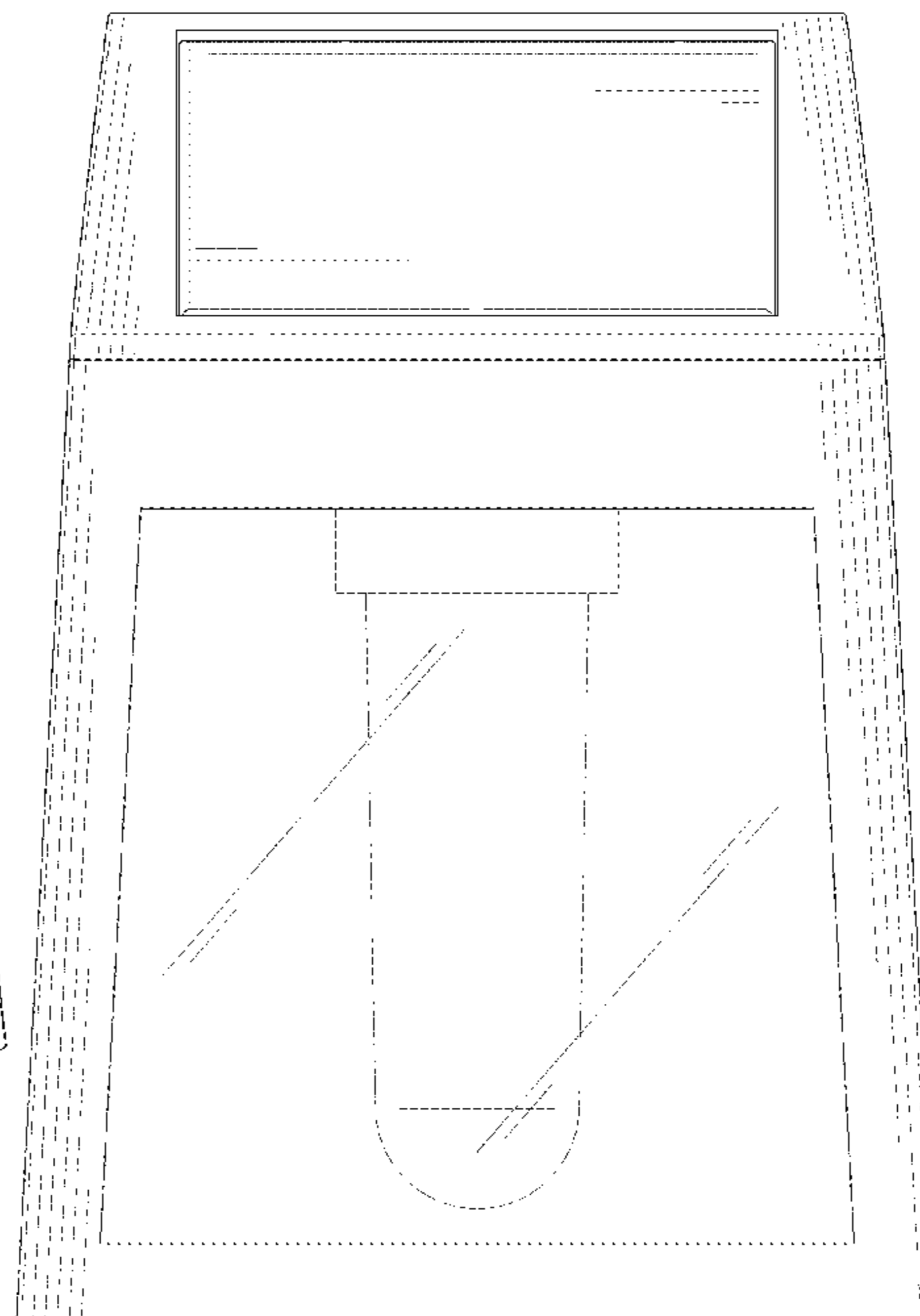
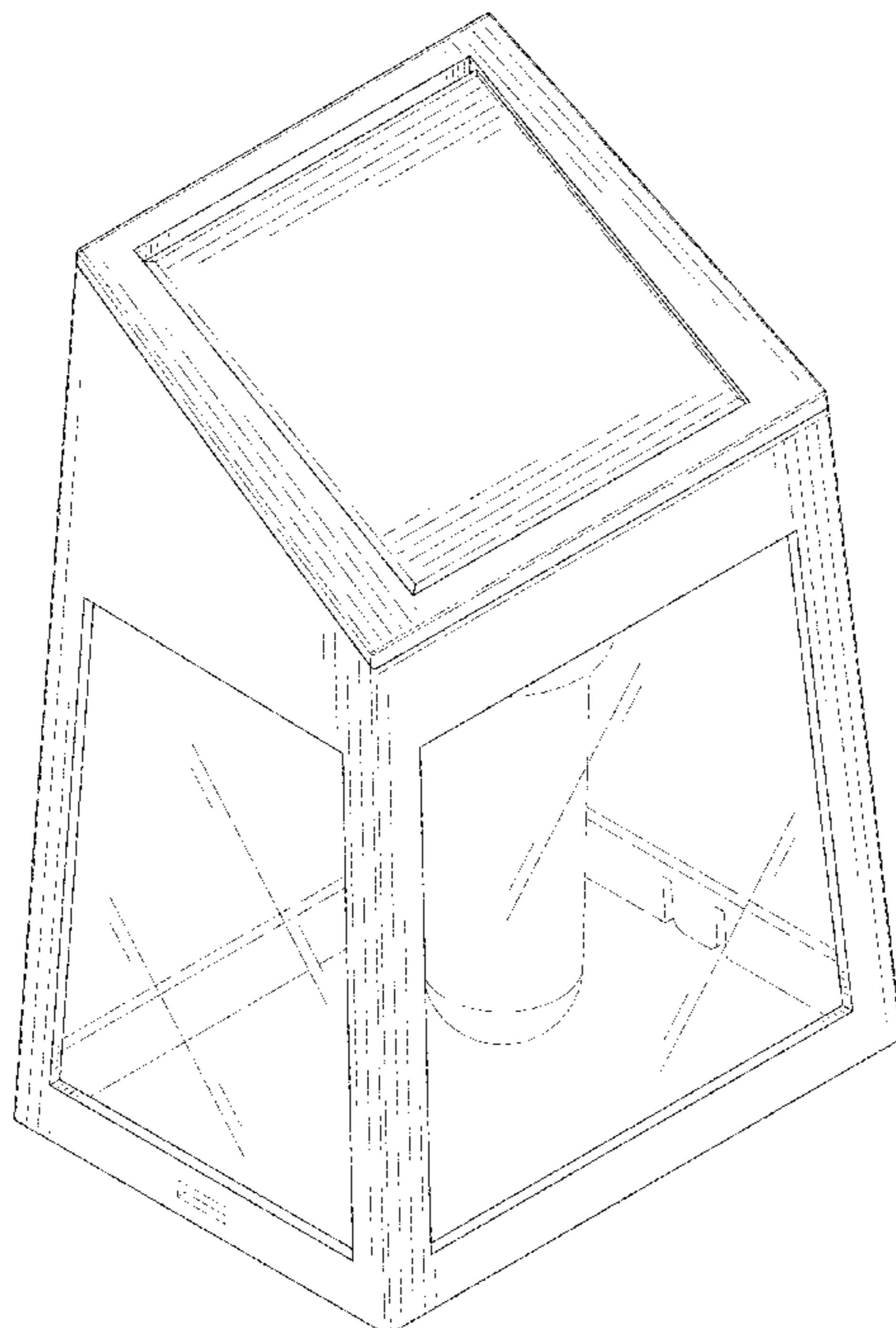
FIG. 6 is a right side elevation view thereof.

FIG. 7 is a top plan view thereof; and,

FIG. 8 is a bottom plan view thereof.

The broken lines shown on the drawings depict portions of  
the wall light that form no part of the claimed design.

**1 Claim, 8 Drawing Sheets**



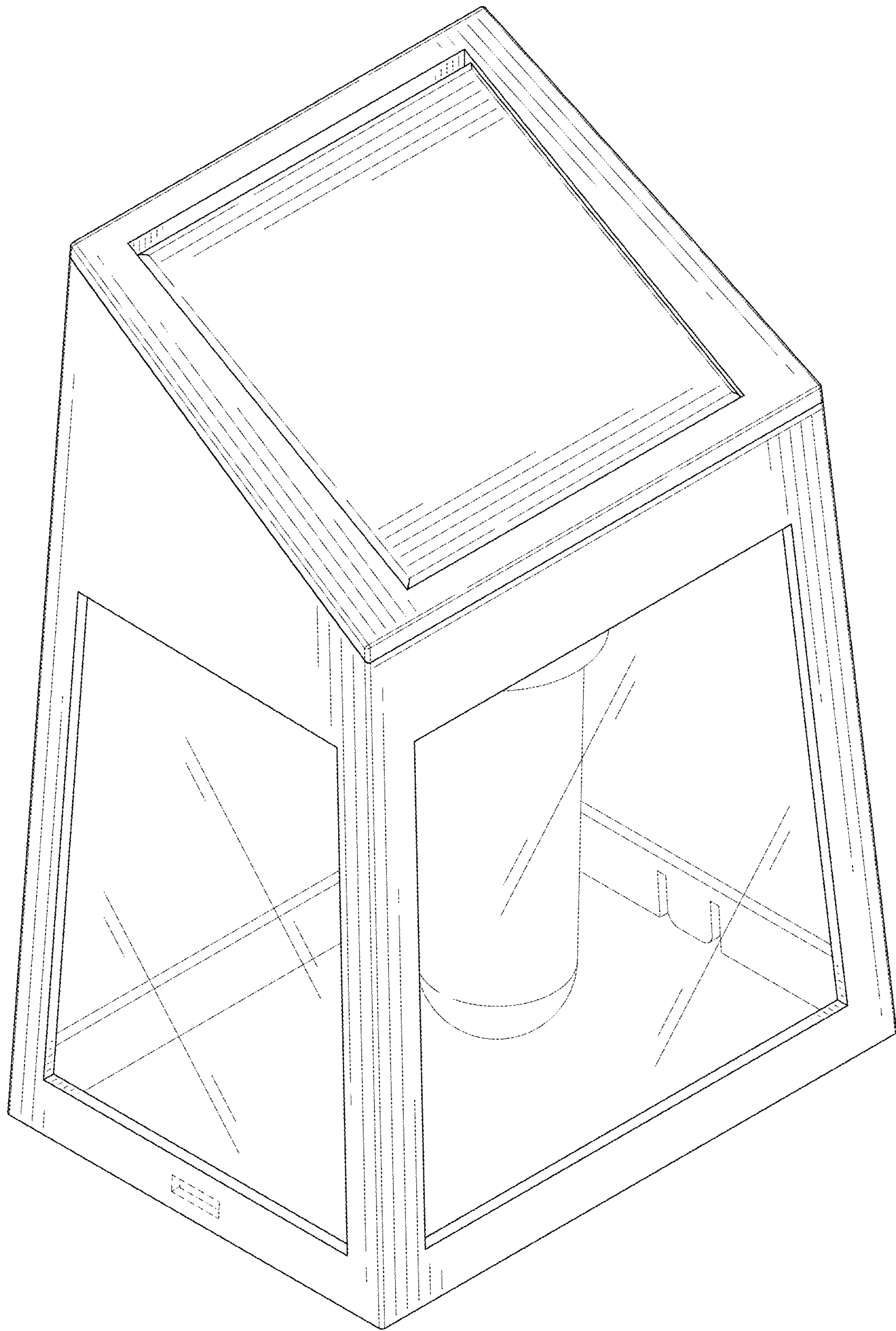


FIG. 1

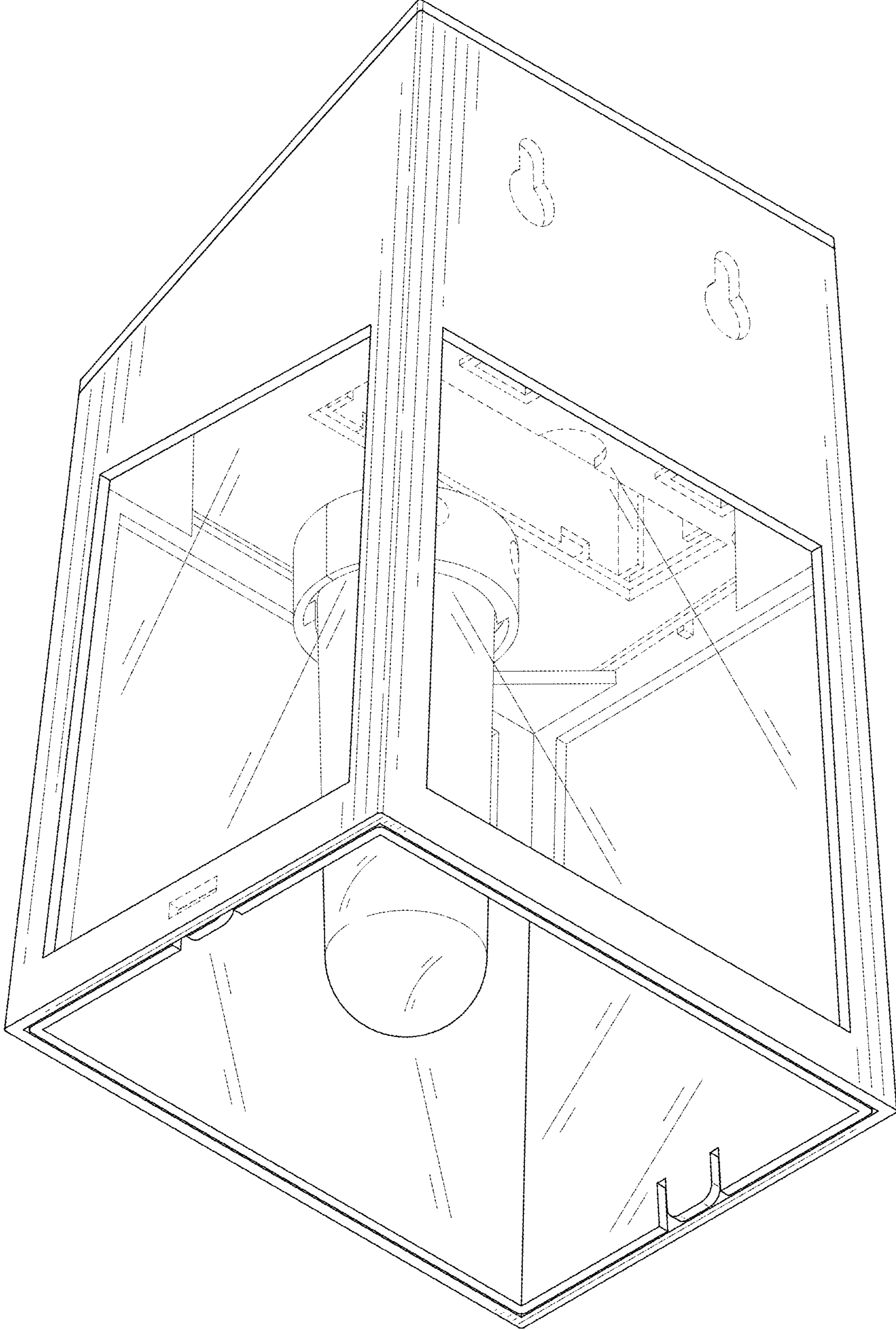


FIG. 2

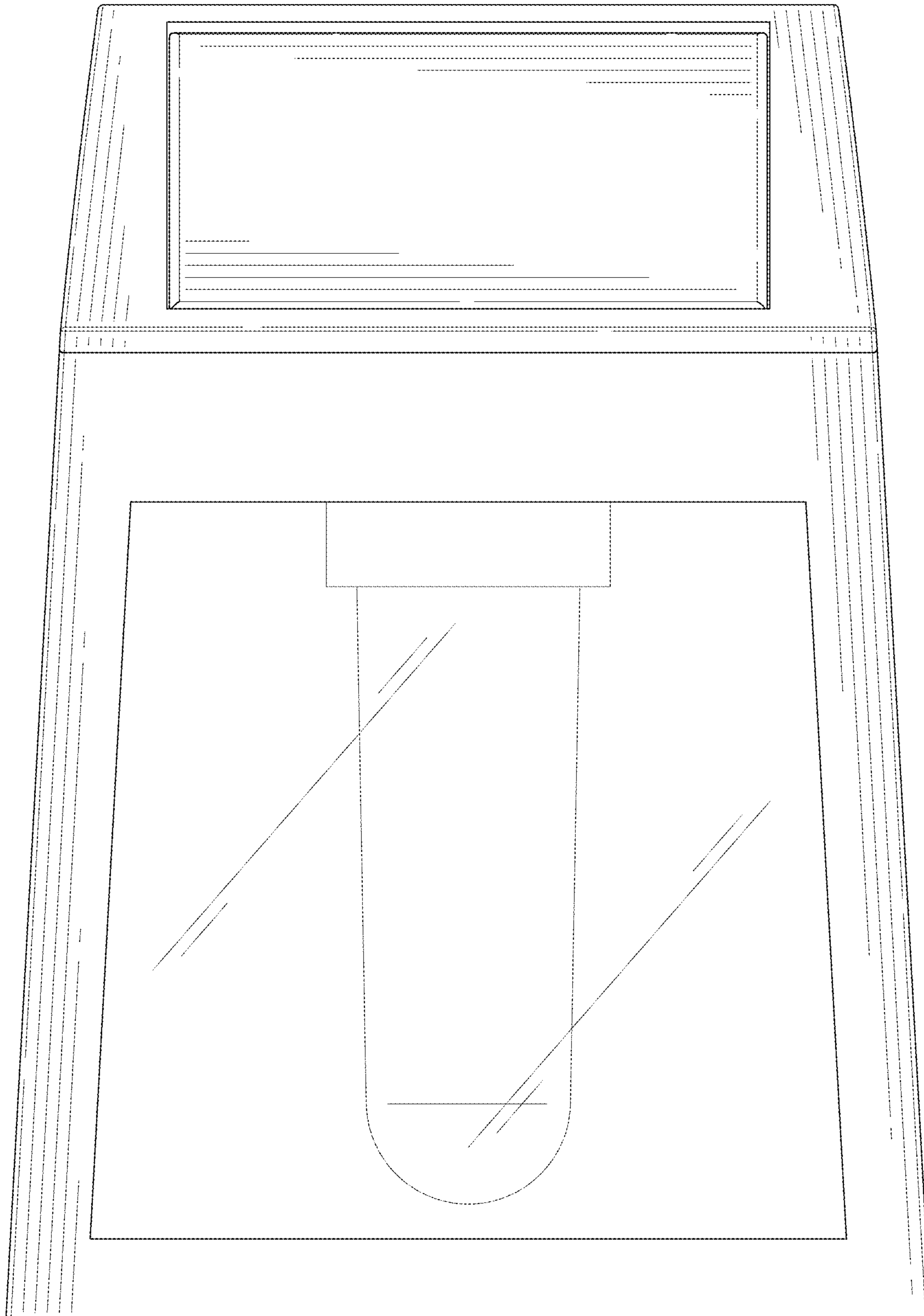


FIG. 3

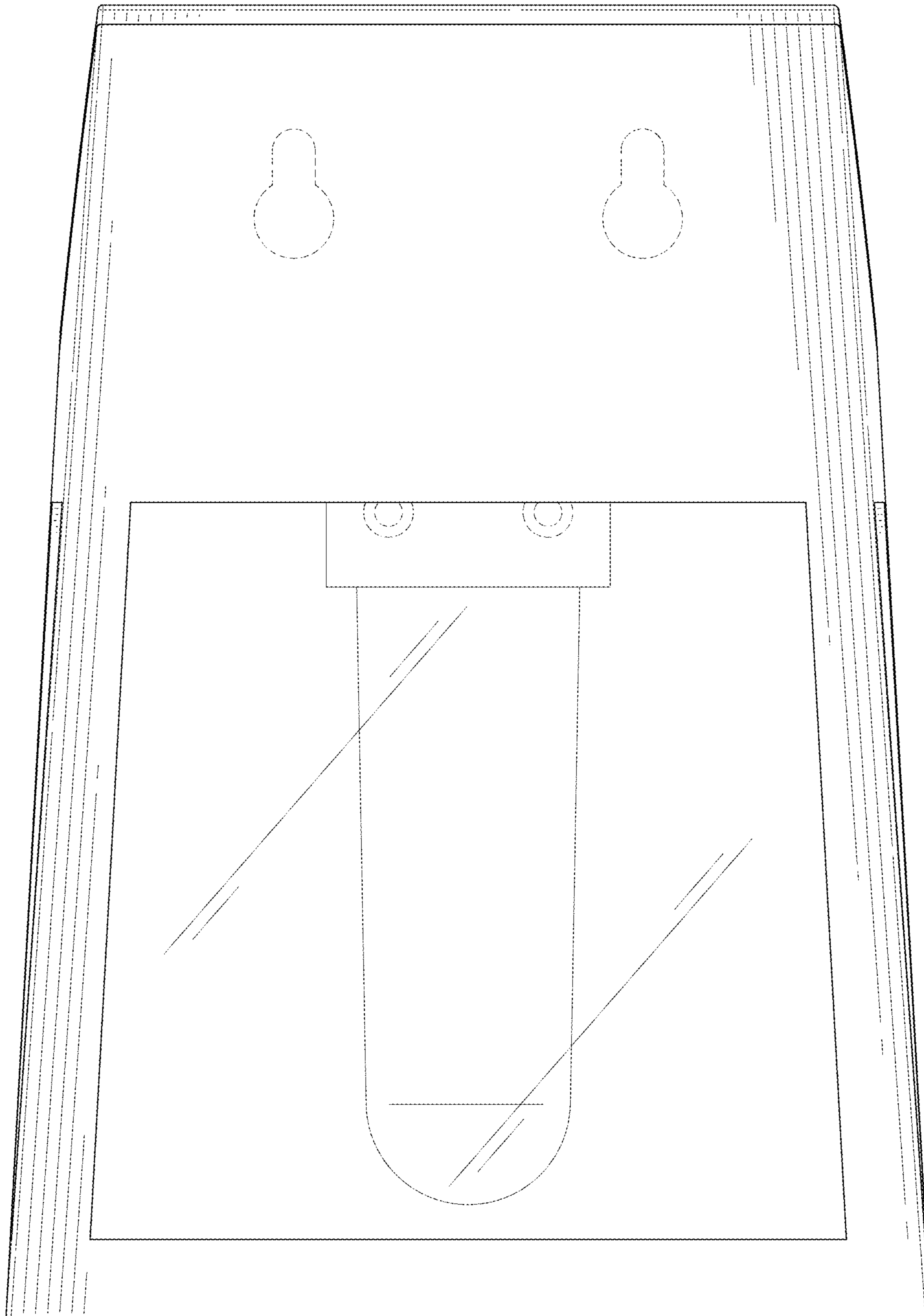


FIG. 4

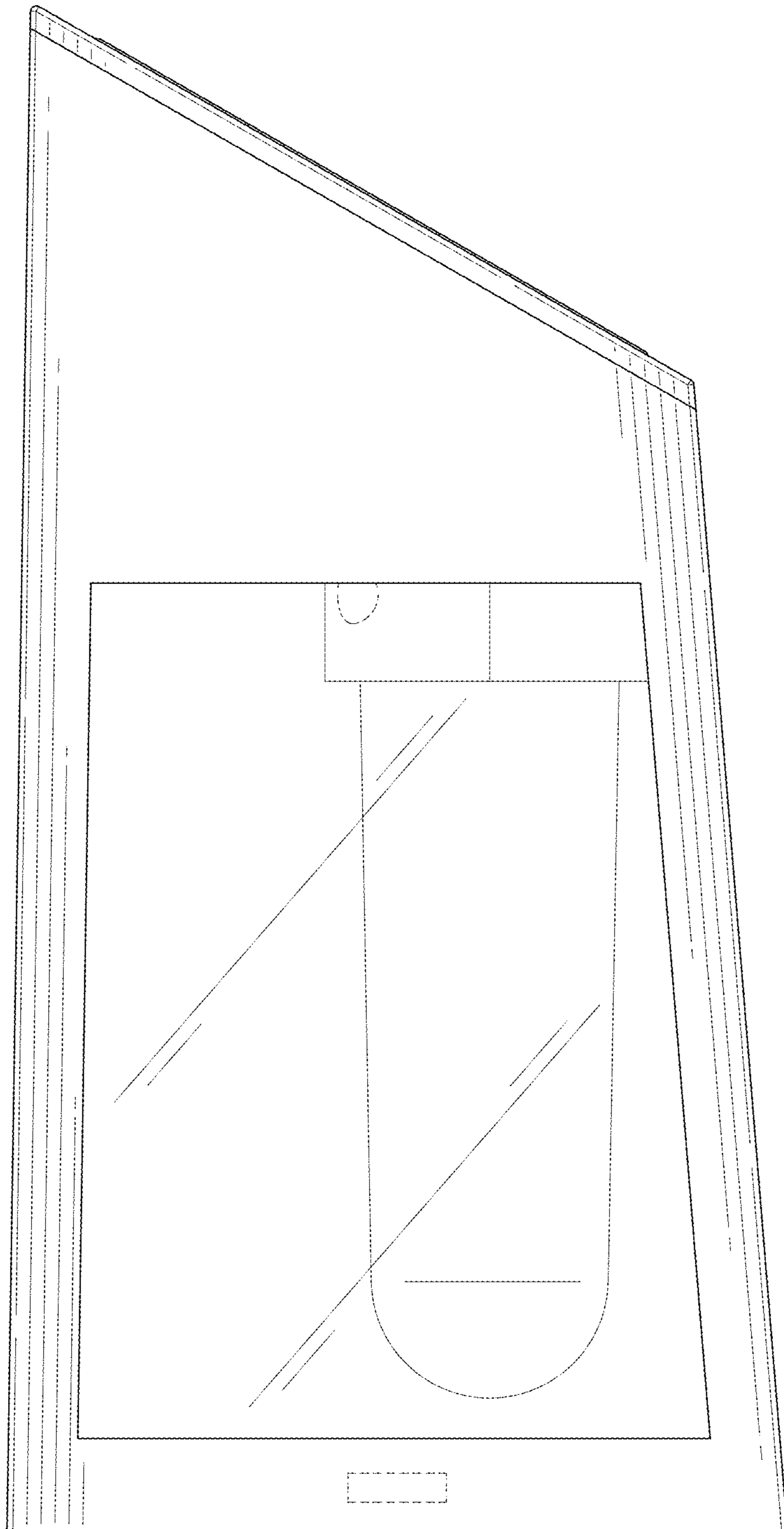


FIG. 5

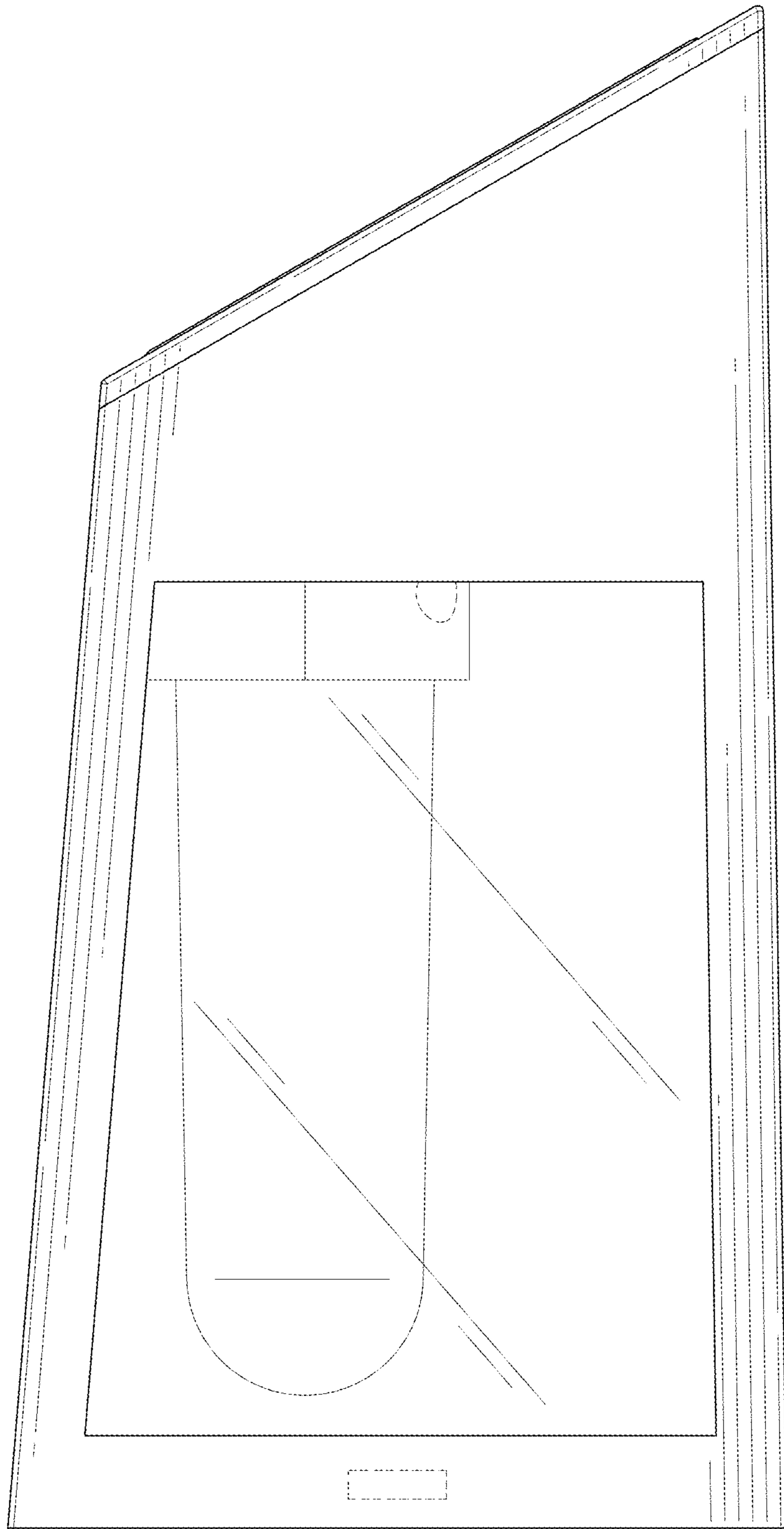


FIG. 6

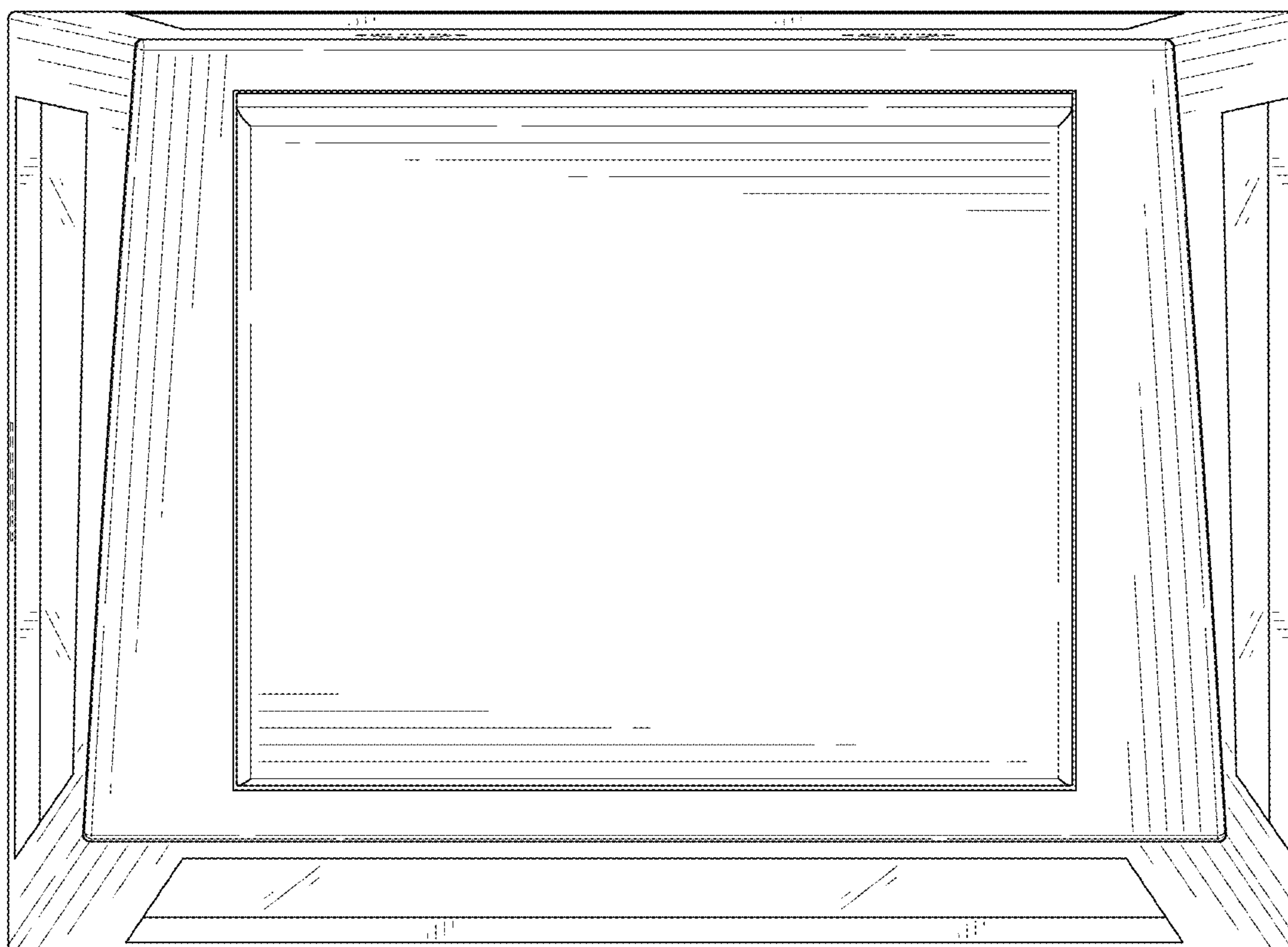


FIG. 7



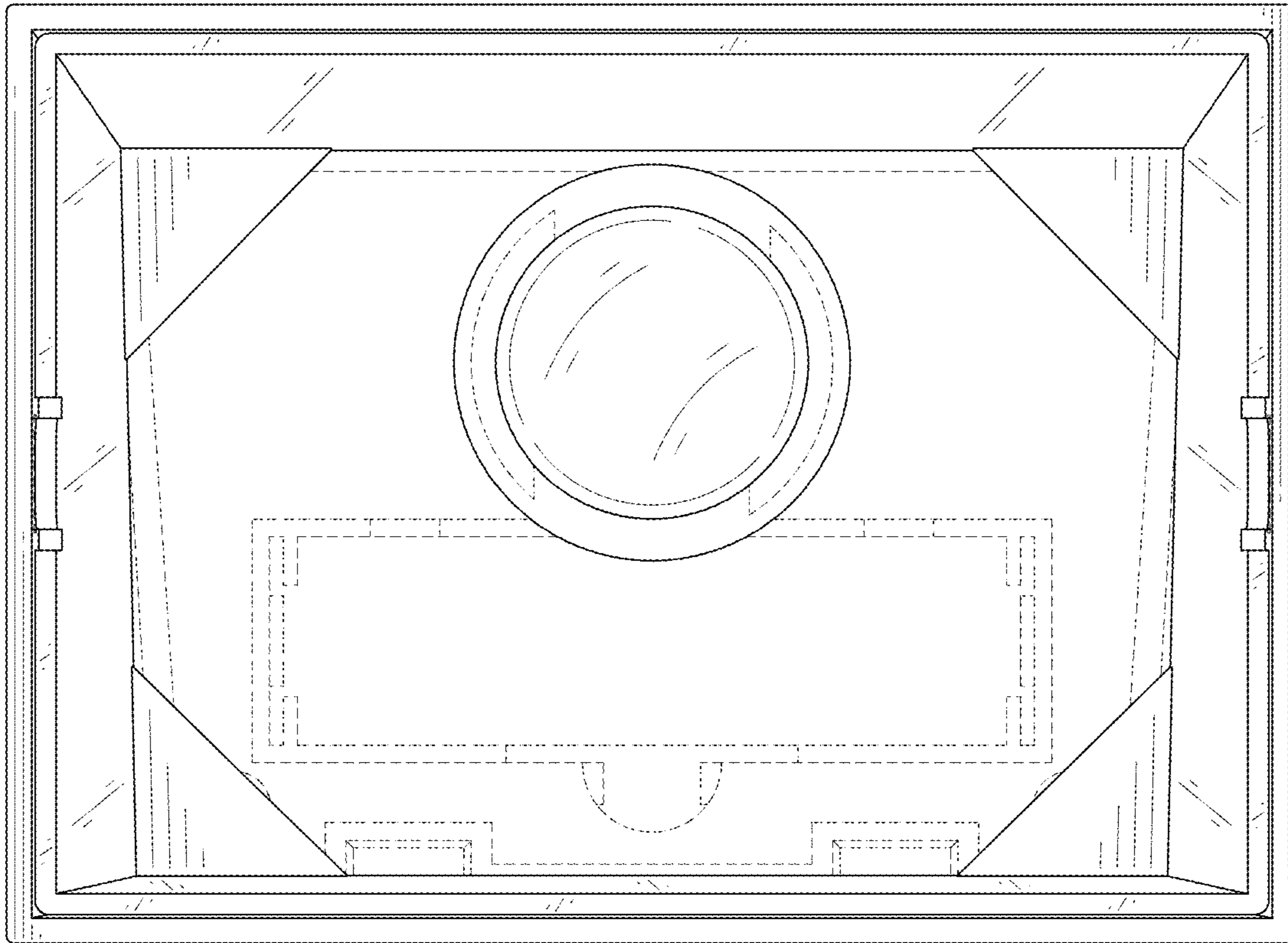


FIG. 8