

US00D903179S

(12) **United States Design Patent** (10) **Patent No.:** **US D903,179 S**
Pulsifer et al. (45) **Date of Patent:** **** Nov. 24, 2020**

(54) **PENDANT**
(71) Applicant: **Target Brands, Inc.**, Minneapolis, MN (US)
(72) Inventors: **Patricia A. Pulsifer**, St. Louis Park, MN (US); **Lillian P. Hall**, Golden Valley, MN (US)
(73) Assignee: **Target Brands, Inc.**, Minneapolis, MN (US)

(**) Term: **15 Years**

(21) Appl. No.: **29/671,240**

(22) Filed: **Nov. 26, 2018**

(51) **LOC (12) Cl.** **26-05**

(52) **U.S. Cl.**
USPC **D26/81**; D26/118

(58) **Field of Classification Search**
USPC D26/24, 63, 71, 72, 74, 75-78, 80-92, D26/118-120, 122, 131.142, 149; D13/134; D10/111-115
CPC ... F21V 1/02; F21V 1/08; F21V 29/71; F21V 29/713; F21V 29/717; F21V 29/73; F21V 29/74; F21V 29/745; F21V 29/75; F21V 29/76; F21V 23/023; F21V 5/00; F21S 8/02; F21S 8/04; F21S 8/026; F21S 8/033; F21S 8/036; F21S 8/086; F21S 9/03; F21S 9/037
See application file for complete search history.

(56) **References Cited**

U.S. PATENT DOCUMENTS

D206,454 S * 12/1966 Rosen D26/80
D481,484 S * 10/2003 Cuevas D26/84
D536,468 S * 2/2007 Crosby D26/84

D760,420 S * 6/2016 Tomlinson D26/81
D837,435 S * 1/2019 Richardson D26/82
D861,951 S * 10/2019 Zitoli D26/81
D864,461 S * 10/2019 Pickett D26/87
D870,950 S * 12/2019 Tomlinson D26/81
D872,341 S * 1/2020 Richardson D26/82
D877,959 S * 3/2020 Birchfield D26/81
D882,859 S * 4/2020 Ng D26/118
D889,025 S * 6/2020 Ng D26/118

OTHER PUBLICATIONS

Wide Linear Chandelier (available online) Retrieved from the internet Sep. 16, 2020 from URL: <https://www.target.com/p/elegant-lighting-Id4061d25-resolute-3-light-25-wide-linear-chandelier/-/A-76656072>.*

* cited by examiner

Primary Examiner — Kevin K Rudzinski
Assistant Examiner — Richard Kearney
(74) *Attorney, Agent, or Firm* — Leanne Taveggia Farrell; Westman, Champlin & Koehler, P.A.

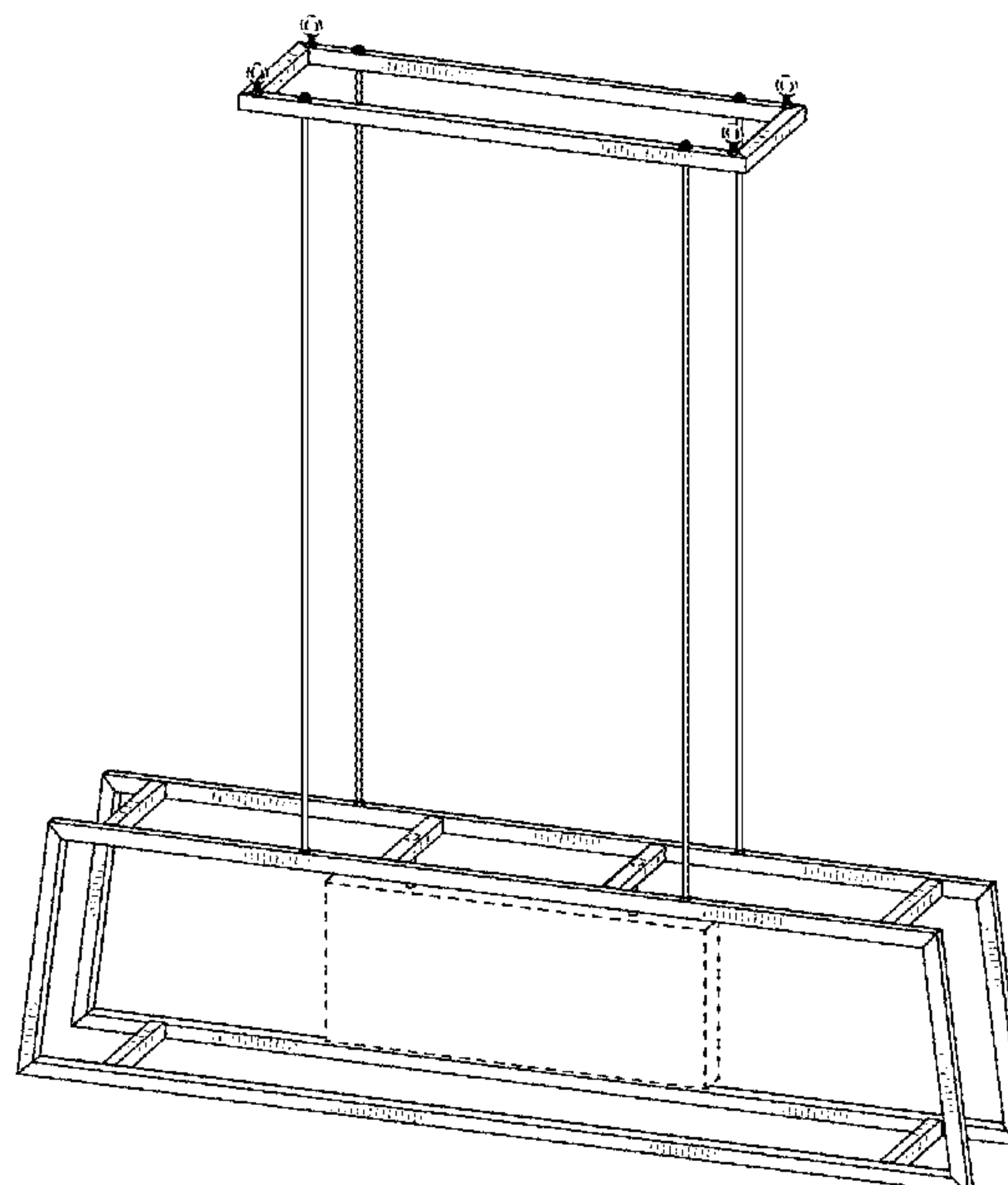
(57) **CLAIM**

The ornamental design for a pendant, as shown and described.

DESCRIPTION

FIG. 1 is a perspective view of a pendant showing our new design;
FIG. 2 is a front view thereof, the back view being identical;
FIG. 3 is a right side view thereof, the left side view being identical; and,
FIG. 4 is a top view thereof.
The broken lines shown in the drawings are included for purposes of illustrating portions of the pendant and form no part of the claimed design.

1 Claim, 3 Drawing Sheets



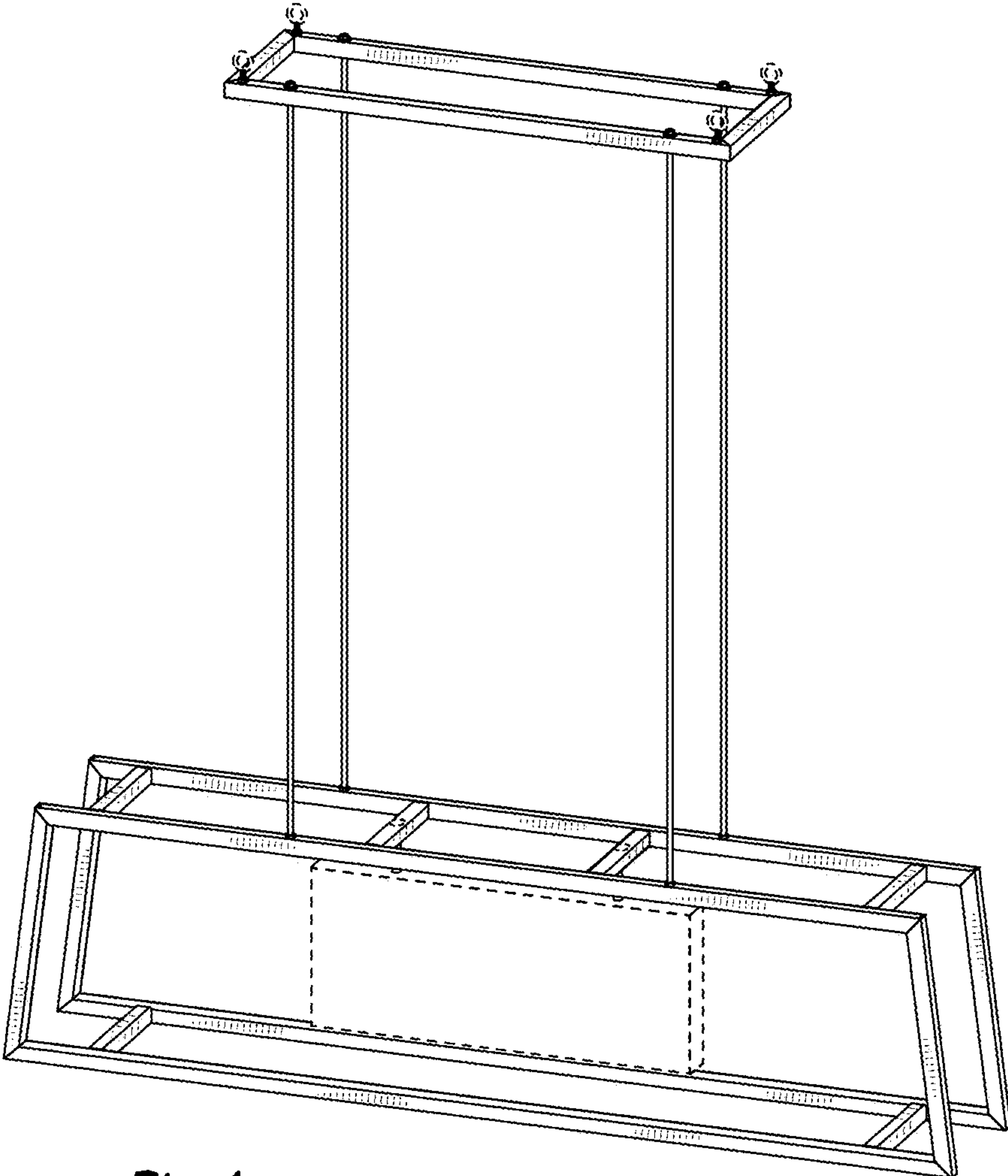


Fig. 1

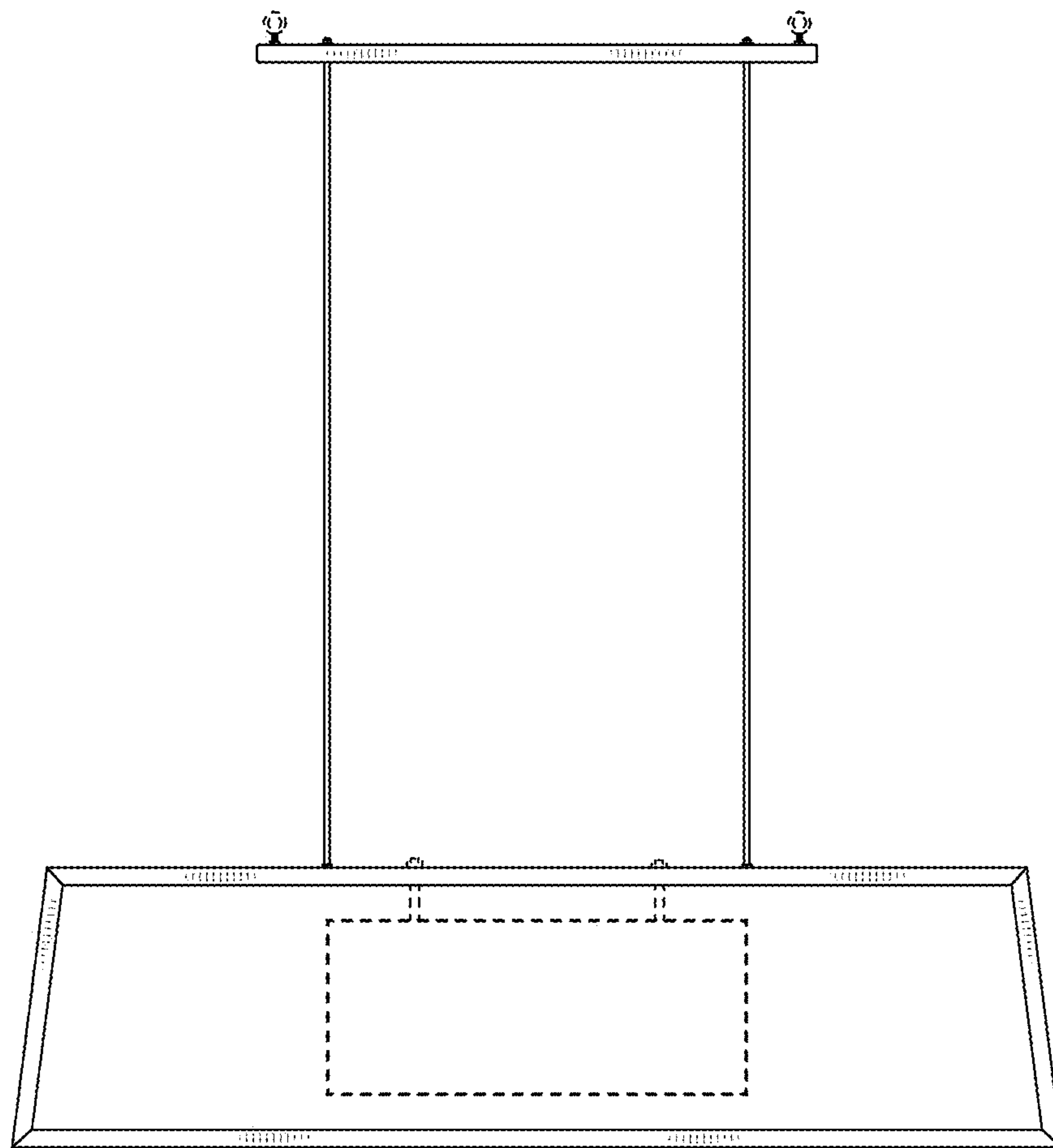


Fig. 2

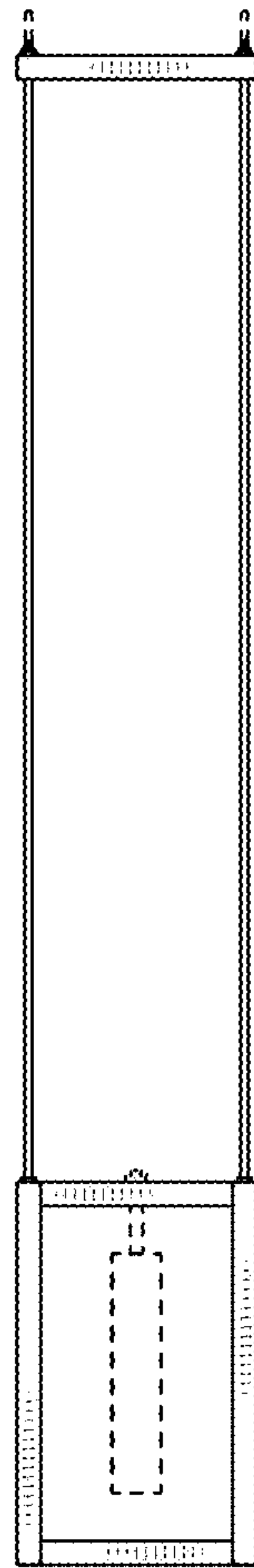


Fig. 3

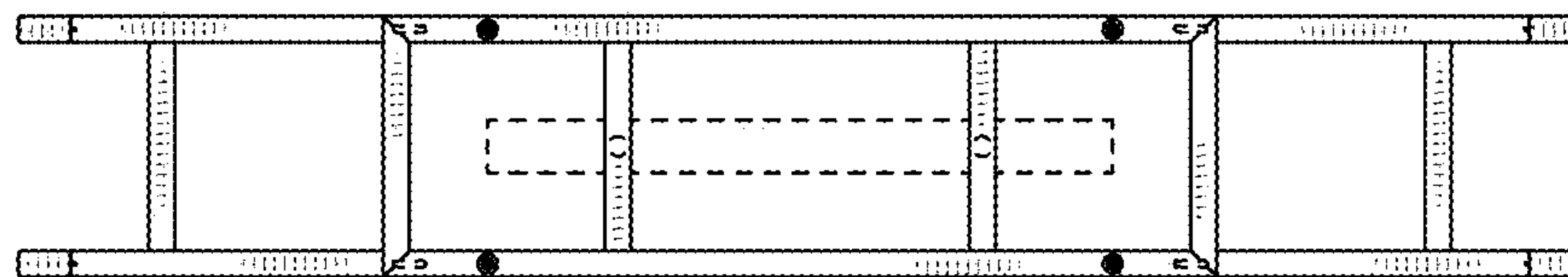


Fig. 4