

US00D903177S

(12) **United States Design Patent** (10) **Patent No.:** **US D903,177 S**
Grandsart et al. (45) **Date of Patent:** **** Nov. 24, 2020**

(54) **LIGHTING FIXTURE**

(56) **References Cited**

(71) Applicant: **KENALL MANUFACTURING COMPANY**, Kenosha, WI (US)
(72) Inventors: **Dawn Grandsart**, Chicago, IL (US);
Brandon Stolte, Lindenhurst, IL (US);
Steven Akiyama, New Lenox, IL (US)
(73) Assignee: **KENALL MANUFACTURING COMPANY**, Kenosha, WI (US)
(**) Term: **15 Years**
(21) Appl. No.: **29/618,690**
(22) Filed: **Sep. 22, 2017**

U.S. PATENT DOCUMENTS

D191,628 S *	10/1961	Mullen	D26/76
D195,012 S *	4/1963	Hoyle	D26/74
D292,322 S	10/1987	Krol		
5,301,090 A	4/1994	Hed		
5,738,436 A	4/1998	Cummings et al.		
D418,936 S *	1/2000	Dunning	D26/76
6,197,444 B1	3/2001	Vackar		
6,375,338 B1	4/2002	Cummings et al.		
D556,362 S *	11/2007	Pfund	D26/58
D569,027 S	5/2008	Hakamada		
D580,583 S *	11/2008	Pfund	D26/76
D599,945 S *	9/2009	Pfund	D26/76
D602,626 S	10/2009	Santoro et al.		
D606,229 S	12/2009	Johansen et al.		

(Continued)

Primary Examiner — Natasha Vujcic
(74) *Attorney, Agent, or Firm* — Marshall, Gerstein & Borun LLP

Related U.S. Application Data

(62) Division of application No. 29/520,312, filed on Mar. 13, 2015, now Pat. No. Des. 801,570, which is a division of application No. 29/475,907, filed on Dec. 9, 2013, now Pat. No. Des. 732,225.

(51) **LOC (12) Cl.** **26-04**

(52) **U.S. Cl.**
USPC **D26/76**

(58) **Field of Classification Search**
USPC D26/72, 74, 76, 78–83, 85, 86, 88, 90,
D26/93, 111, 113, 118, 119, 120, 121,
D26/122, 138, 139, 140, 141, 142, 152
CPC F21S 2/00; F21S 4/00; F21S 4/003; F21S
4/005; F21S 4/006; F21S 4/007; F21S
4/008; F21S 6/00; F21S 8/00; F21S
8/024; F21S 8/026; F21S 8/031; F21S
8/033; F21S 8/035–037; F21S 8/04; F21S
8/043; F21S 8/063

See application file for complete search history.

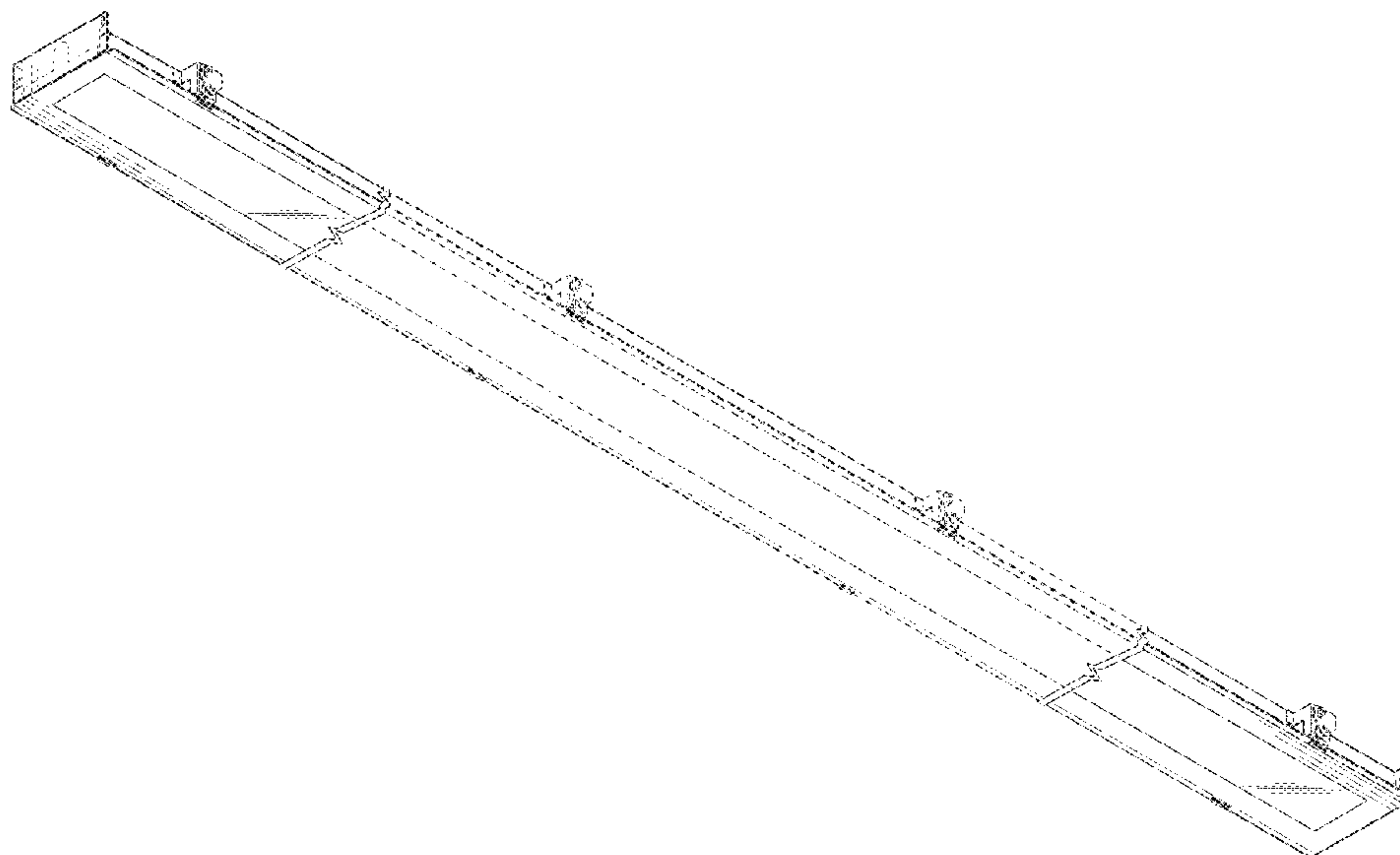
(57) **CLAIM**

The ornamental design for a lighting fixture, as shown and described.

DESCRIPTION

FIG. 1 is a perspective view showing a new design for a lighting fixture;
FIG. 2 is a bottom view of the lighting fixture of FIG. 1;
FIG. 3 is a top view of the lighting fixture of FIG. 1;
FIG. 4 is a front view of the lighting fixture of FIG. 1;
FIG. 5 is a rear view of the lighting fixture of FIG. 1;
FIG. 6 is a left-side view of the lighting fixture of FIG. 1;
and,
FIG. 7 is a right-side view of the lighting fixture of FIG. 1.
The dashed lines showing portions of the lighting fixture are included for the purpose of illustrating environment and form no part of the claimed design.
The break lines in the drawings indicate that the appearance of any portion of the lighting fixture between the break lines forms no part of the claimed design.

1 Claim, 5 Drawing Sheets



(56)

References Cited

U.S. PATENT DOCUMENTS

D608,930 S *	1/2010	Castelli	D26/76	2007/0076459 A1	4/2007	Limpkin
D633,640 S	3/2011	Wauters		2009/0073692 A1	3/2009	Berger et al.
D636,108 S	4/2011	Nguyen et al.		2009/0290343 A1	11/2009	Brown et al.
D645,193 S	9/2011	Chung et al.		2010/0085748 A1	4/2010	Kelly et al.
D645,194 S *	9/2011	Budike, Jr.	D26/76	2010/0110684 A1	5/2010	Abdelsamed et al.
D646,422 S *	10/2011	Chung	D26/75	2010/0142202 A1	6/2010	Sugishita et al.
D660,498 S *	5/2012	Chung	D26/75	2010/0280677 A1	11/2010	Budike, Jr.
D687,178 S	7/2013	Grandsart et al.		2011/0164411 A1	7/2011	Sparing et al.
D695,440 S	12/2013	Kim et al.		2011/0273877 A1	11/2011	Reed et al.
D695,443 S	12/2013	Kaule et al.		2012/0159821 A1	6/2012	Miletich et al.
D700,724 S	3/2014	Waldmann		2012/0176795 A1	7/2012	Lynch
D707,880 S	6/2014	Magnusson		2012/0217882 A1	8/2012	Wong et al.
D728,153 S *	4/2015	Blessitt	D26/118	2012/0249016 A1	10/2012	Smith
D732,225 S	6/2015	Grandsart et al.		2012/0293086 A1	11/2012	Ishikita et al.
D737,500 S *	8/2015	Santoro	D26/120	2012/0294000 A1	11/2012	Thomas et al.
D747,539 S	1/2016	Santoro et al.		2013/0003373 A1	1/2013	Hamby et al.
D780,362 S	2/2017	Akiyama		2013/0027935 A1	1/2013	Ladewig et al.
D791,383 S *	7/2017	Yu	D26/76	2013/0058108 A1	3/2013	Blincoe et al.
D801,570 S *	10/2017	Grandsart	D26/76	2013/0062724 A1	3/2013	Tokuyama et al.
2004/0082209 A1	4/2004	Zenaboni		2013/0063935 A1	3/2013	Thrailkill
2004/0105264 A1	6/2004	Spero		2013/0077311 A1	3/2013	Kinnune et al.
				2013/0208471 A1	8/2013	Lueken et al.
				2013/0286637 A1	10/2013	Lay et al.

* cited by examiner

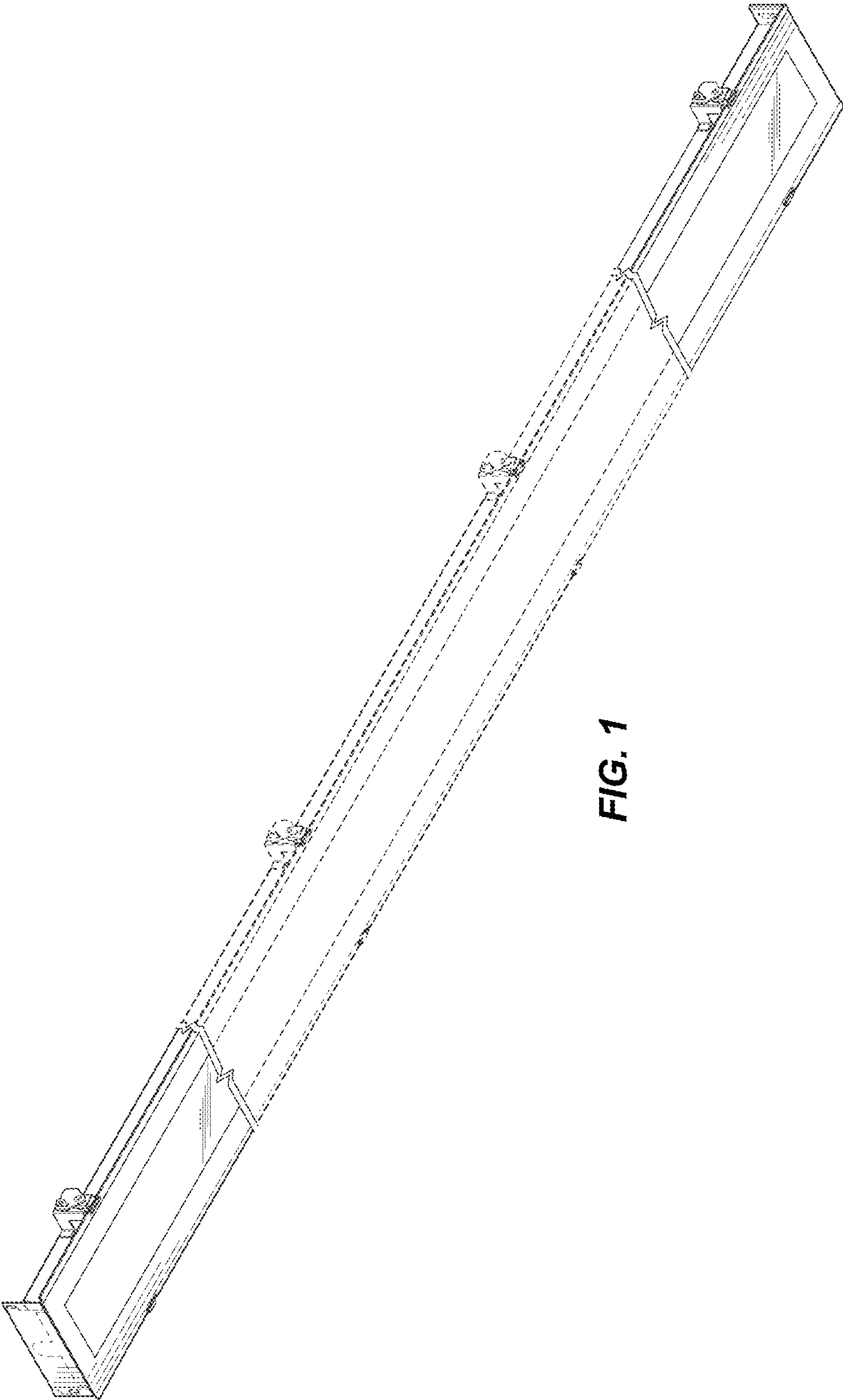


FIG. 1

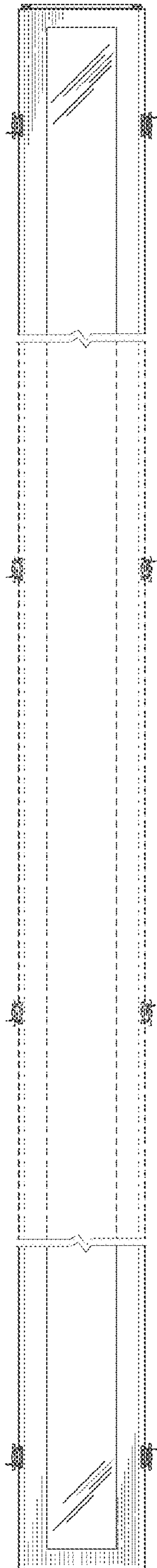


FIG. 2

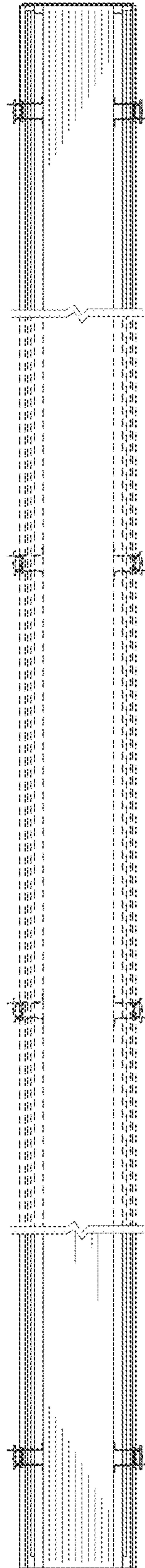


FIG. 3

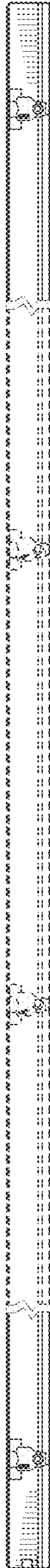


FIG. 4

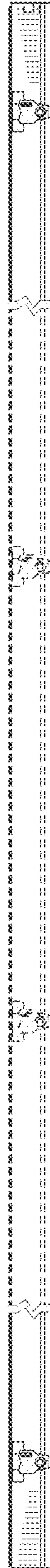


FIG. 5

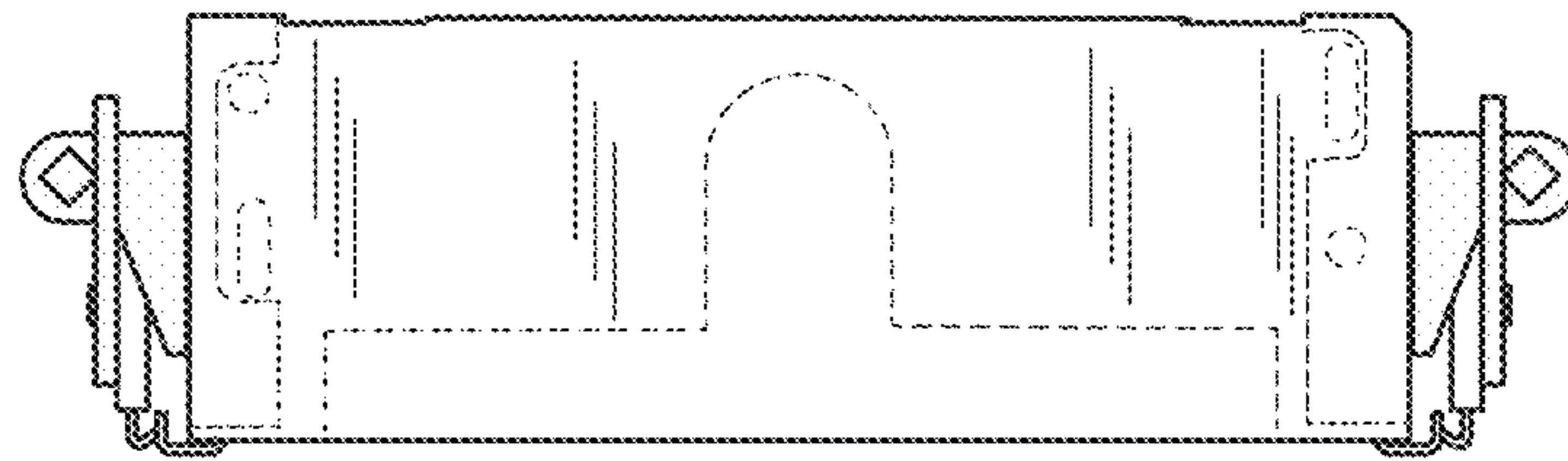


FIG. 6

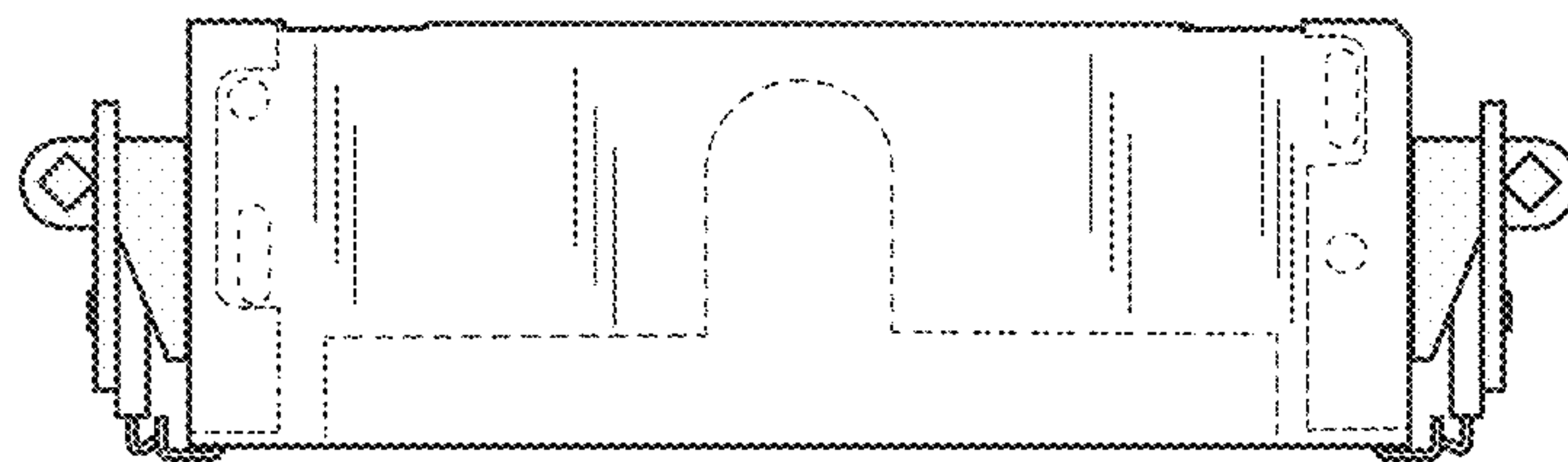


FIG. 7