



US00D903176S

(12) **United States Design Patent**
Mai

(10) **Patent No.:** **US D903,176 S**

(45) **Date of Patent:** **** Nov. 24, 2020**

(54) **LED LIGHT**

(71) Applicant: **QuanHua Mai**, zhongshan (CN)

(72) Inventor: **QuanHua Mai**, zhongshan (CN)

(**) Term: **15 Years**

(21) Appl. No.: **29/699,684**

(22) Filed: **Jul. 29, 2019**

(51) **LOC (12) Cl.** **26-05**

(52) **U.S. Cl.**
USPC **D26/67**

(58) **Field of Classification Search**
USPC D10/111-115; D13/101, 102, 118;
D20/17; D26/10, 11, 12, 31, 51, 60, 61,
D26/63-71, 92, 93
CPC .. F21S 8/003; F21S 8/006; F21S 8/081; F21S
8/083; F21S 9/03; F21S 9/032; F21S
9/035; F21S 9/037; F21S 10/005; G09F
2013/0495; G09F 2013/0404; G09F
2013/02; F21W 2131/023; F21W
2131/109
See application file for complete search history.

(56) **References Cited**

U.S. PATENT DOCUMENTS

D557,435 S * 12/2007 Hon D26/63
D573,742 S * 7/2008 Bears D26/71

D582,594 S * 12/2008 Zhou D26/69
D598,156 S * 8/2009 Xiao D26/69
D821,626 S * 6/2018 Hou D26/69
D848,046 S * 5/2019 Zhuo D26/67
D851,799 S * 6/2019 Liu D26/63
D867,644 S * 11/2019 Luo D26/68
D887,606 S * 6/2020 Liu D26/63
2005/0103378 A1 * 5/2005 Pu H02S 20/00
136/244
2007/0091594 A1 * 4/2007 Soon F21L 4/00
362/183

* cited by examiner

Primary Examiner — Kevin K Rudzinski

Assistant Examiner — Richard Kearney

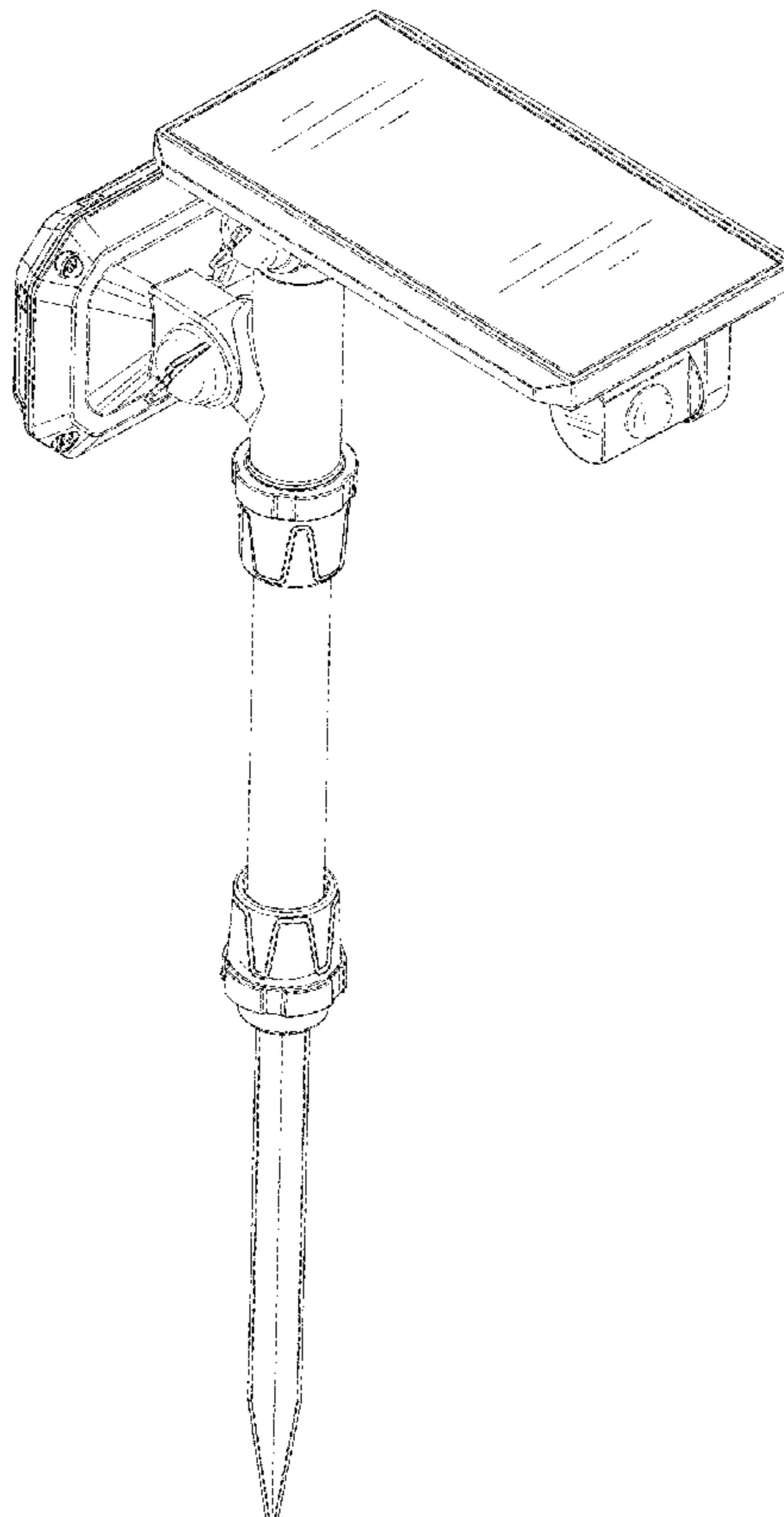
(57) **CLAIM**

The ornamental design for an LED light, as shown and described.

DESCRIPTION

FIG. 1 is a rear, top perspective view of the LED light showing my new design;
FIG. 2 is a front, bottom perspective view thereof;
FIG. 3 is a front elevational view thereof;
FIG. 4 is a rear elevational view thereof;
FIG. 5 is a left side elevational view thereof;
FIG. 6 is a right side elevational view thereof;
FIG. 7 is a top plan view thereof; and,
FIG. 8 is a bottom plan view thereof.

1 Claim, 8 Drawing Sheets



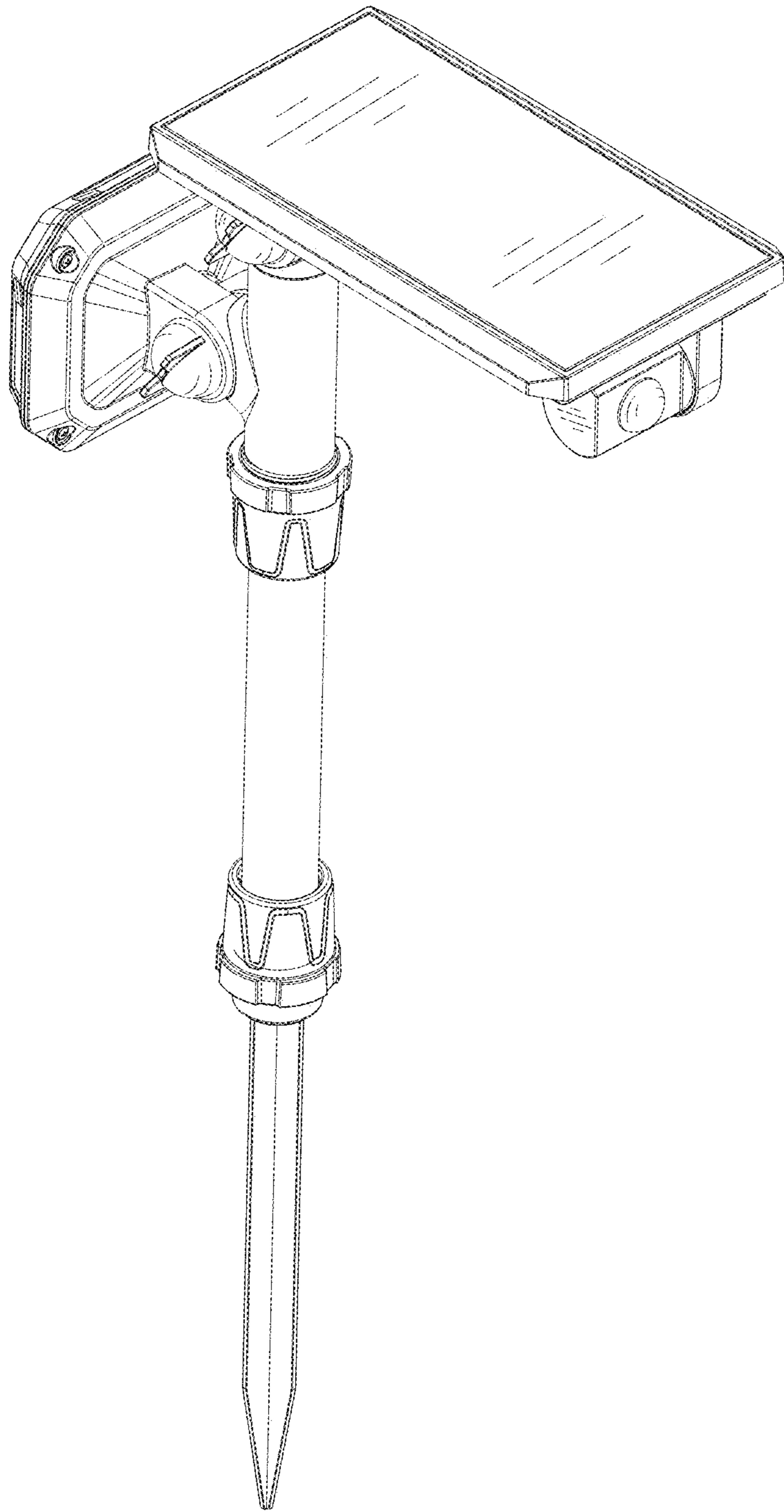


FIG. 1

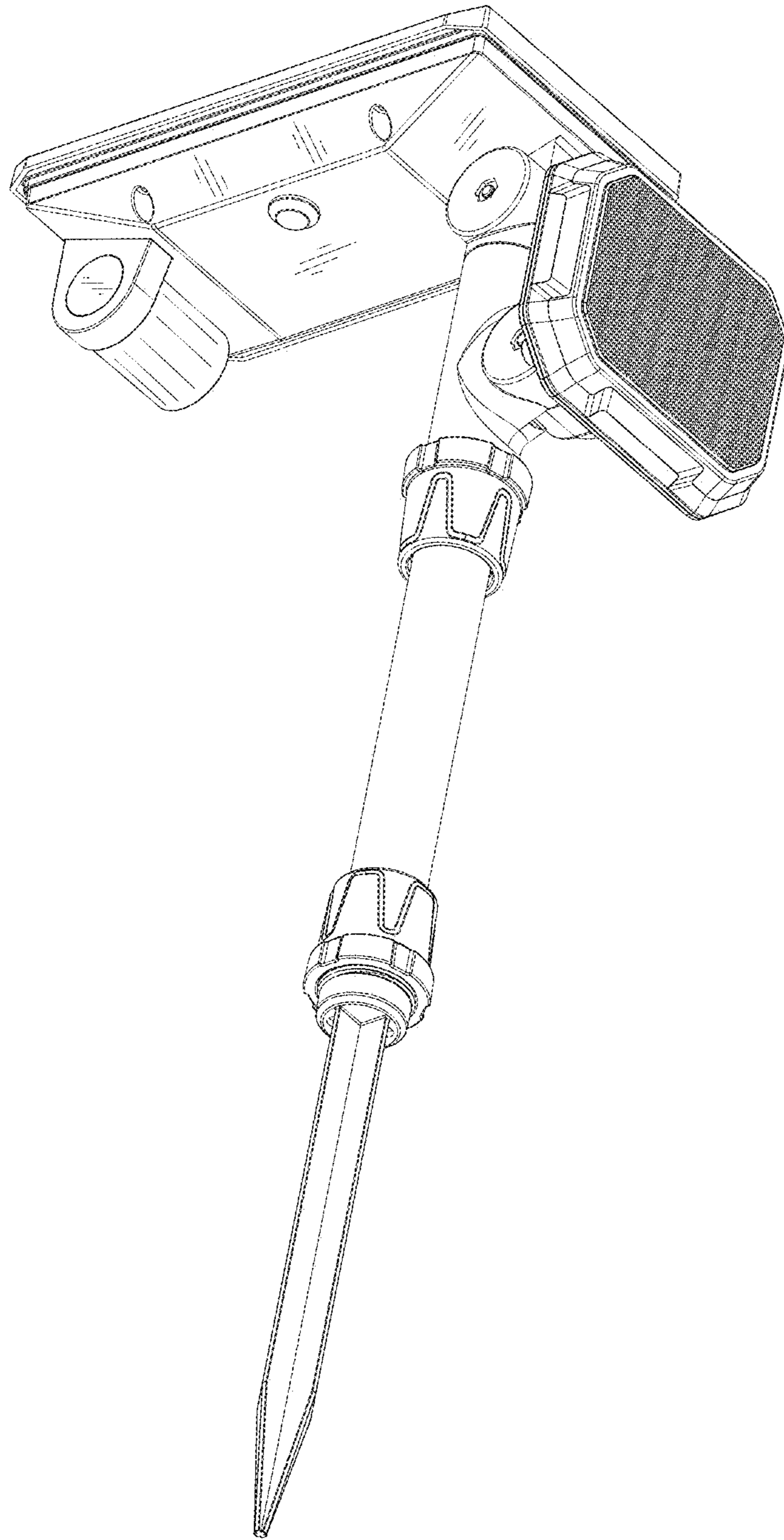


FIG. 2

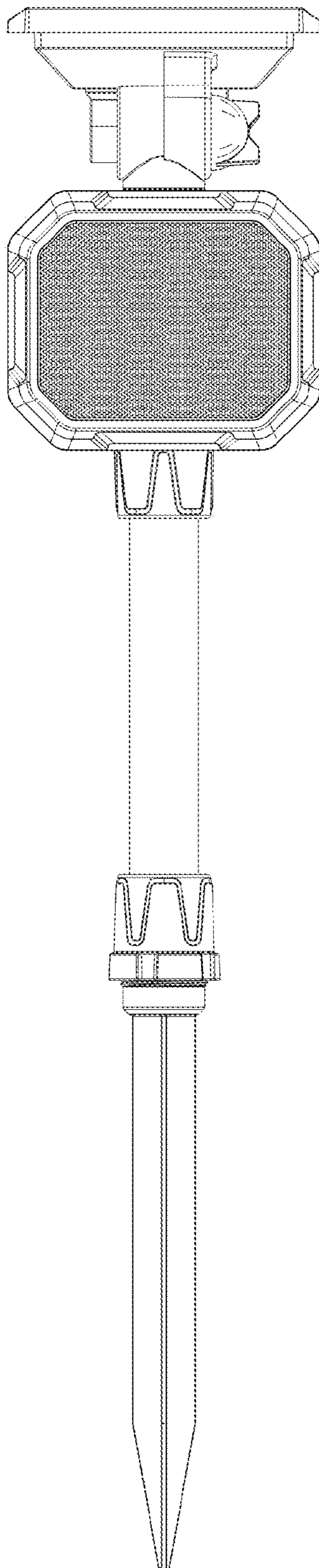


FIG. 3

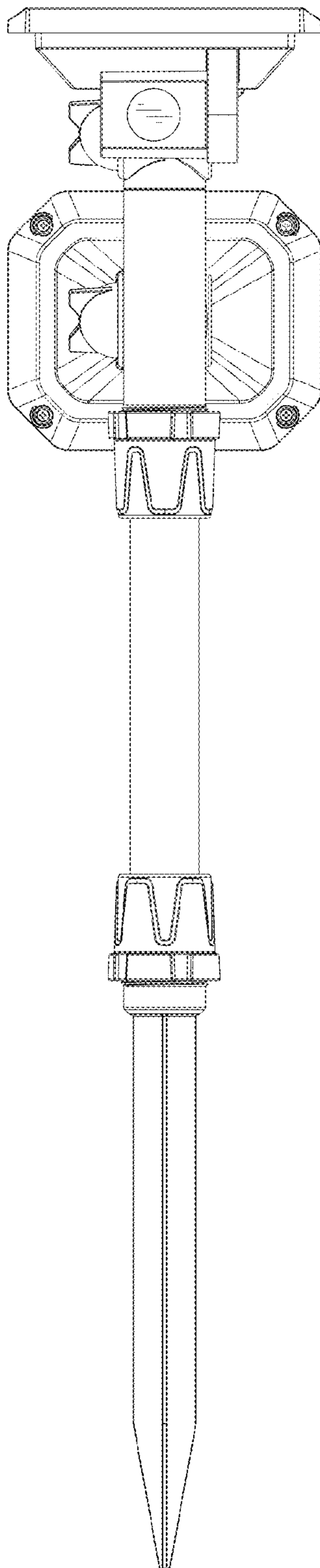


FIG. 4

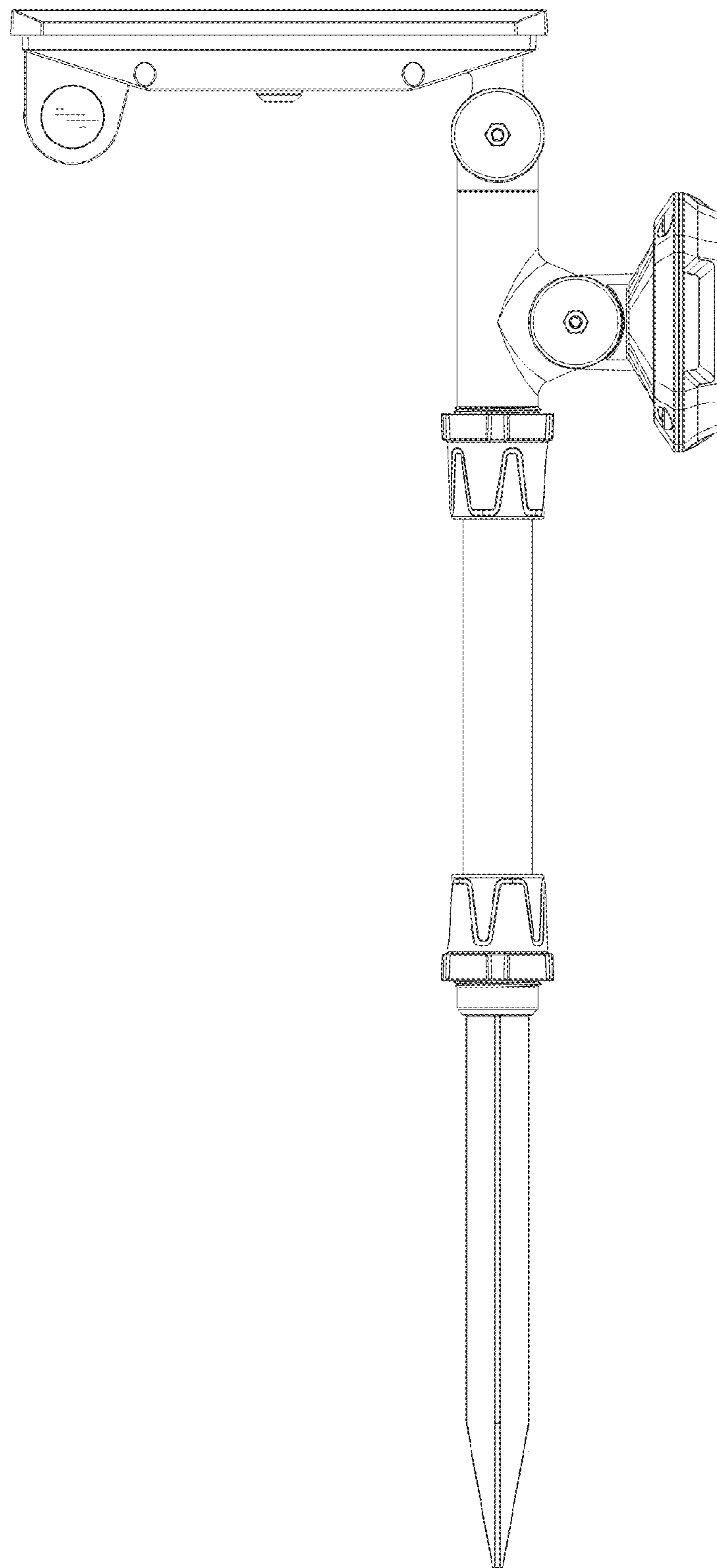


FIG. 5

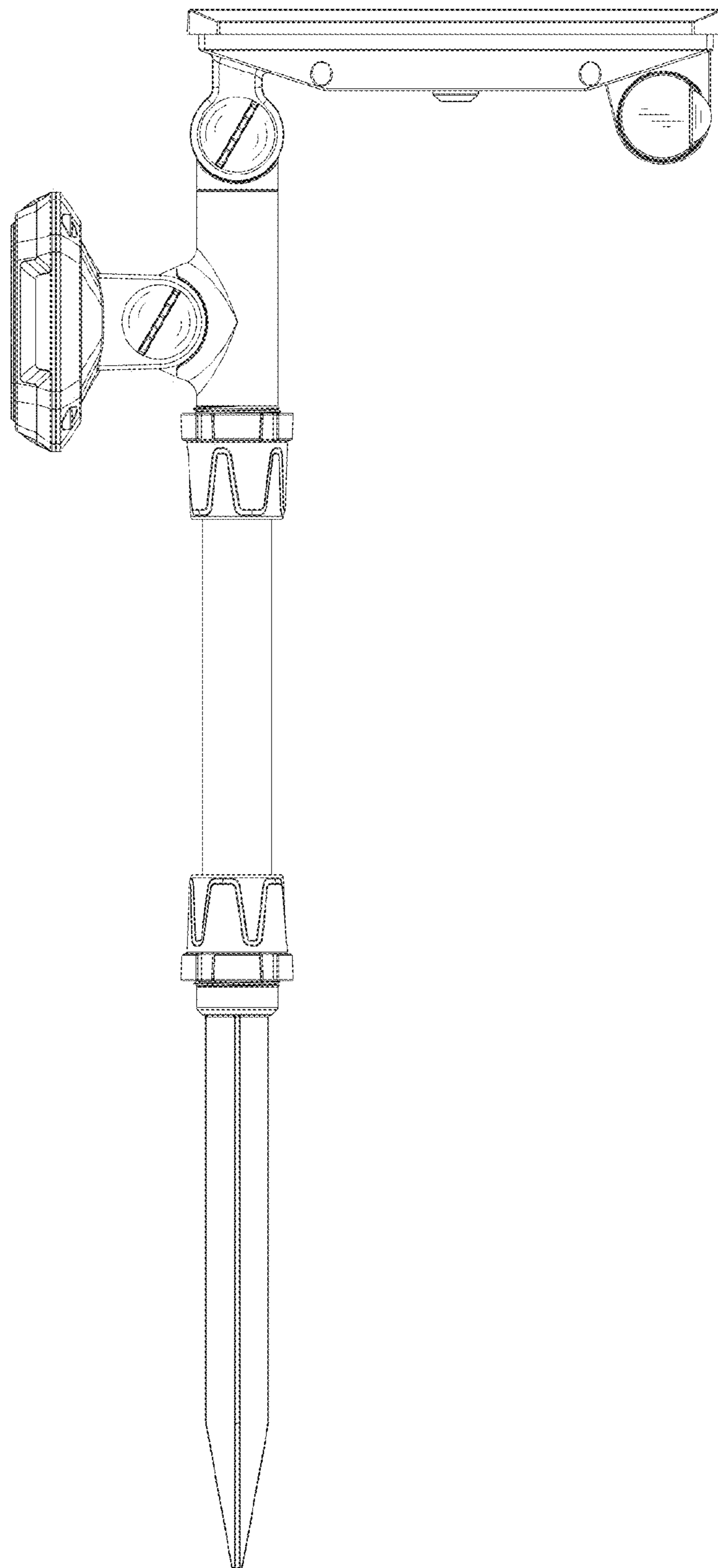


FIG. 6

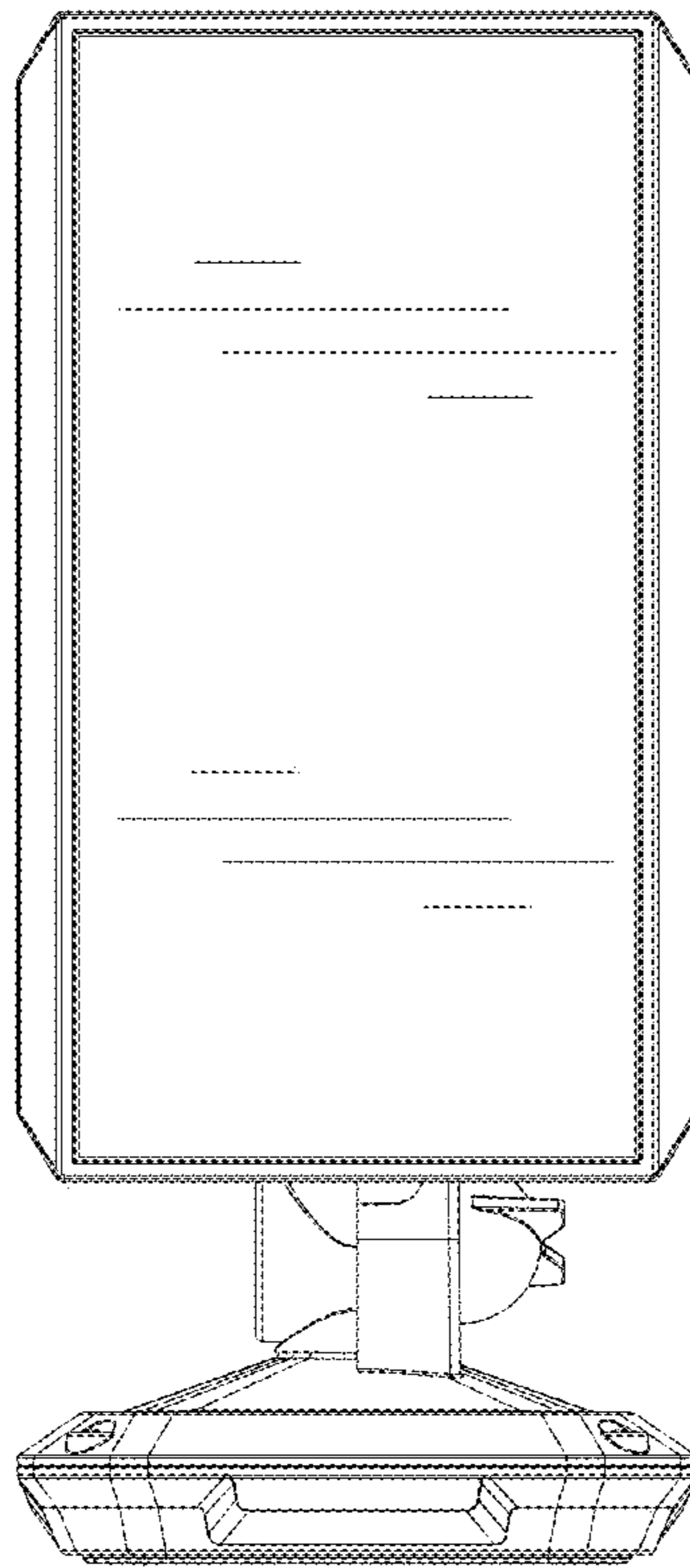


FIG. 7

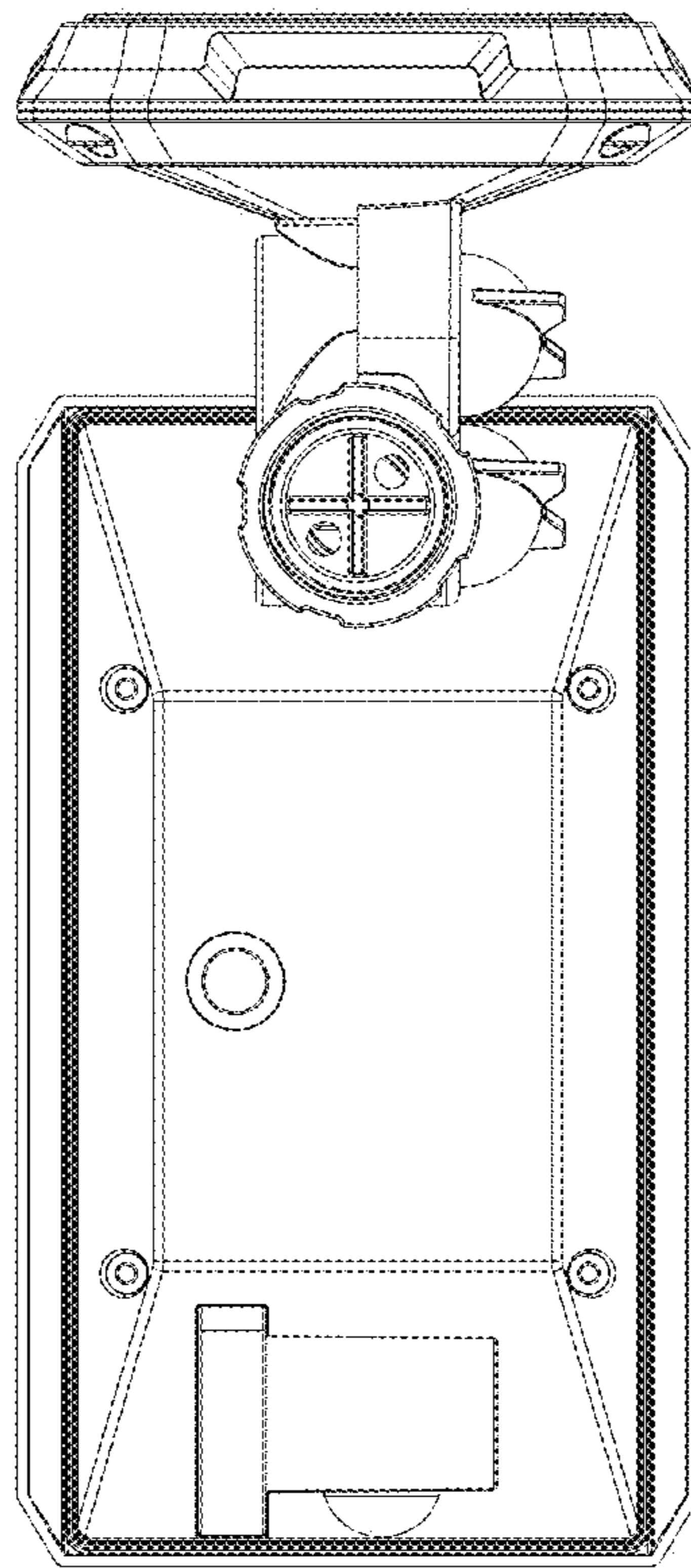


FIG. 8