



US00D903172S

(12) **United States Design Patent** (10) **Patent No.:** **US D903,172 S**
Ni (45) **Date of Patent:** **** Nov. 24, 2020**

(54) **USB RECHARGEABLE FLASHLIGHT STUN BATON**

(71) Applicant: **Zhejiang Huadun Safety Technology Co., Ltd**, Pinghu (CN)

(72) Inventor: **Guoman Ni**, Pinghu (CN)

(**) Term: **15 Years**

(21) Appl. No.: **29/667,879**

(22) Filed: **Oct. 25, 2018**

(30) **Foreign Application Priority Data**

Apr. 25, 2018 (CN) 2018 3 0177121

(51) **LOC (12) Cl.** **26-02**

(52) **U.S. Cl.**
USPC **D26/38**

(58) **Field of Classification Search**
USPC D26/1, 24, 25, 43, 60, 110, 113, 28, 37, D26/61, 85, 102, 138-140, 39; 362/249.14, 311.02, 311.13
CPC F21S 4/00; F21S 4/10; F21S 4/15; F21S 4/26; F21S 2/00; F21V 11/02; F21V 11/06; F21V 17/10; F21V 17/16; F21V 23/00; F21V 23/04; F21V 33/00; F21W 2121/00; F21W 2121/04; F21Y 2115/10; F21L 4/00; F21L 4/02; F21L 4/04; F21L 4/08

See application file for complete search history.

(56) **References Cited**

U.S. PATENT DOCUMENTS

D745,309 S *	12/2015	Gagnon	D7/325
D750,305 S *	2/2016	Sheikh	D26/38
D803,441 S *	11/2017	Mandiola	D26/38
D838,336 S *	1/2019	Tang	D22/117
D838,395 S *	1/2019	Nguyen	D26/46
D861,210 S *	9/2019	Windom	D26/38

* cited by examiner

Primary Examiner — Abraham Bahta

(74) *Attorney, Agent, or Firm* — W&K IP

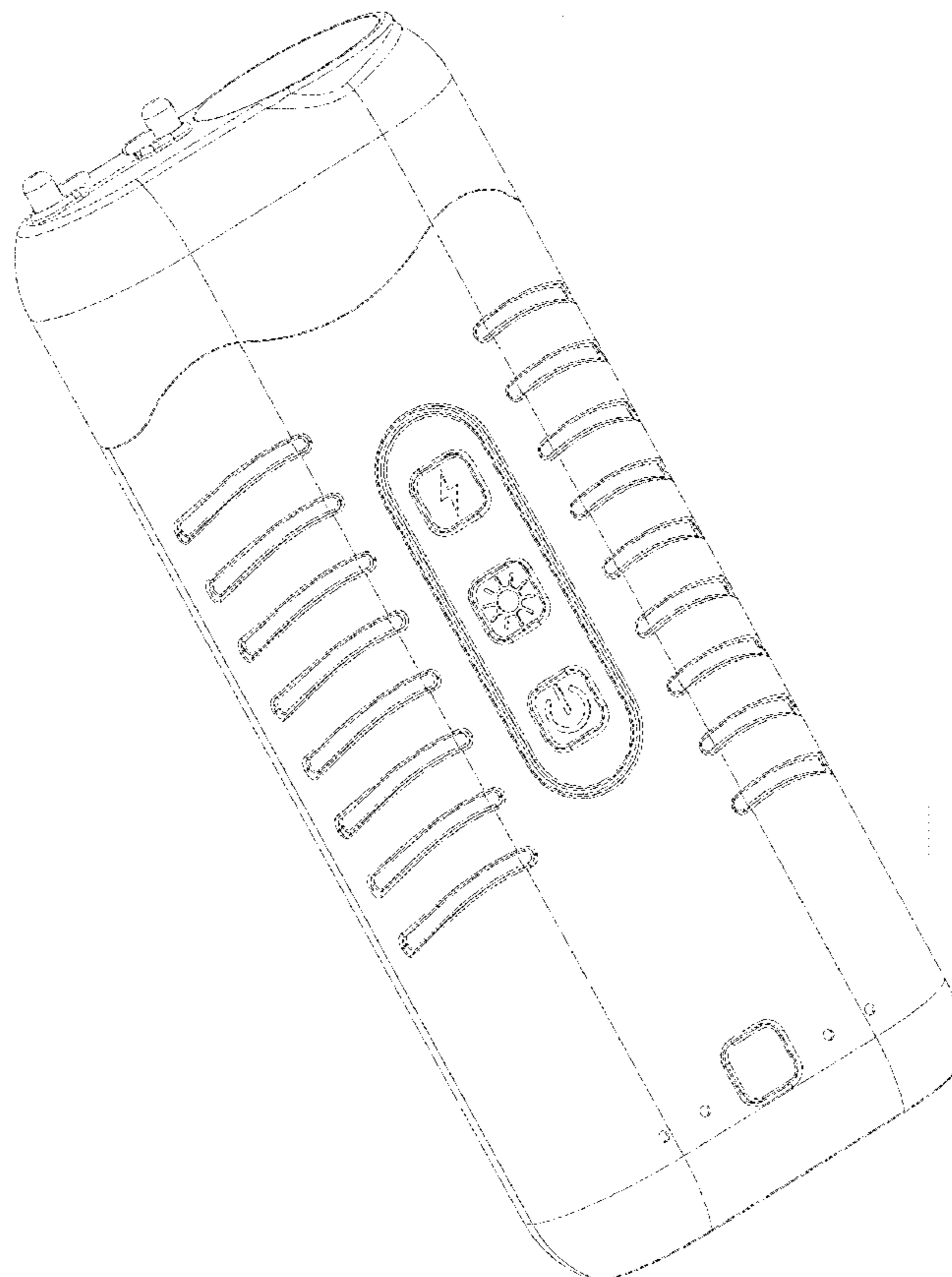
(57) **CLAIM**

The ornamental design for a USB rechargeable flashlight stun baton, as shown and described.

DESCRIPTION

FIG. 1 is a perspective view showing a USB rechargeable flashlight stun baton;
FIG. 2 is a front view thereof;
FIG. 3 is a back view thereof;
FIG. 4 is a left side view thereof;
FIG. 5 is a right side view thereof;
FIG. 6 is a top plan view thereof; and,
FIG. 7 is a bottom plan view thereof.

1 Claim, 7 Drawing Sheets



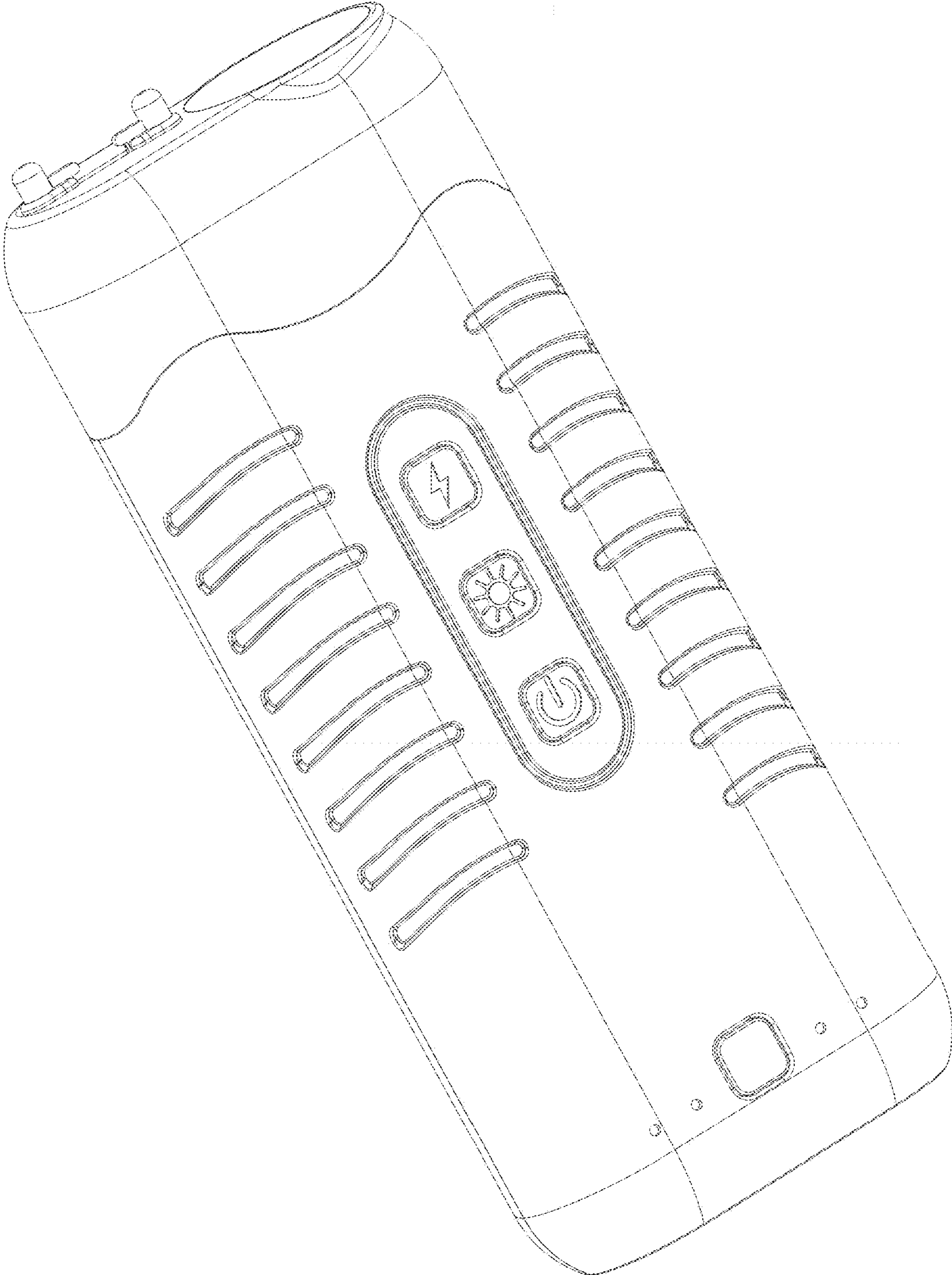


FIG.1

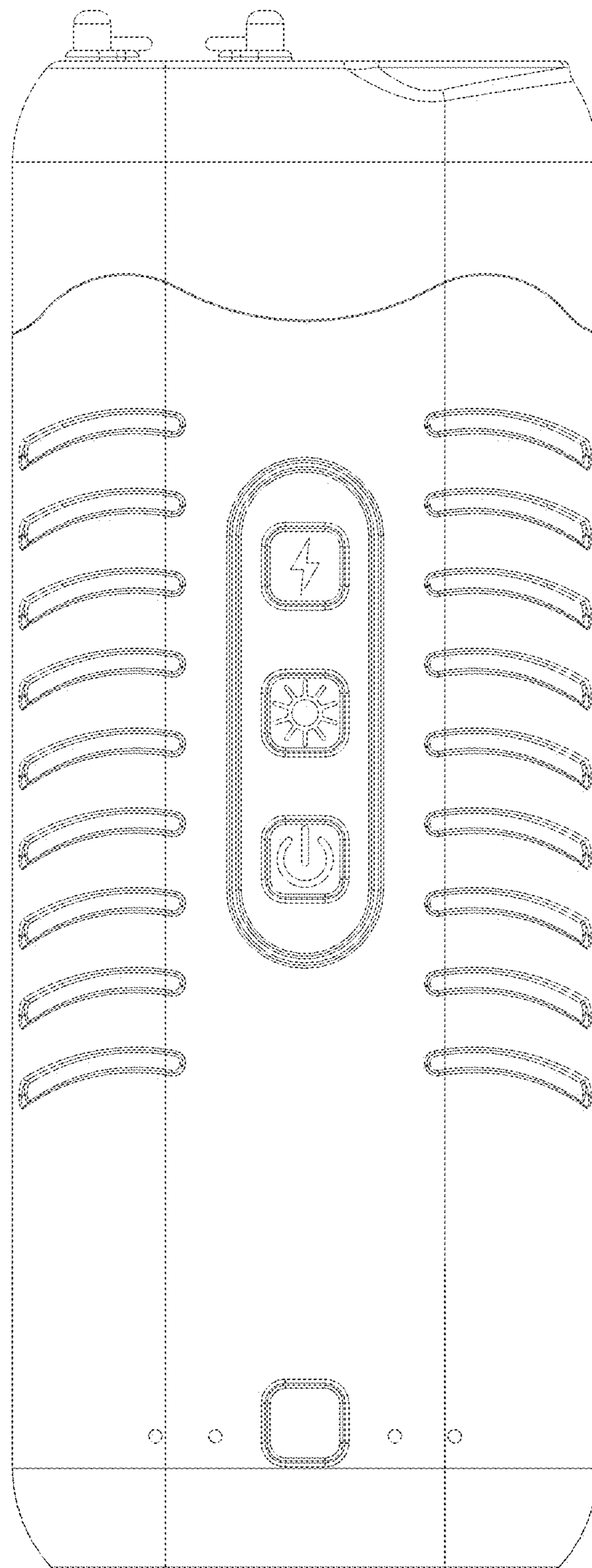


FIG.2

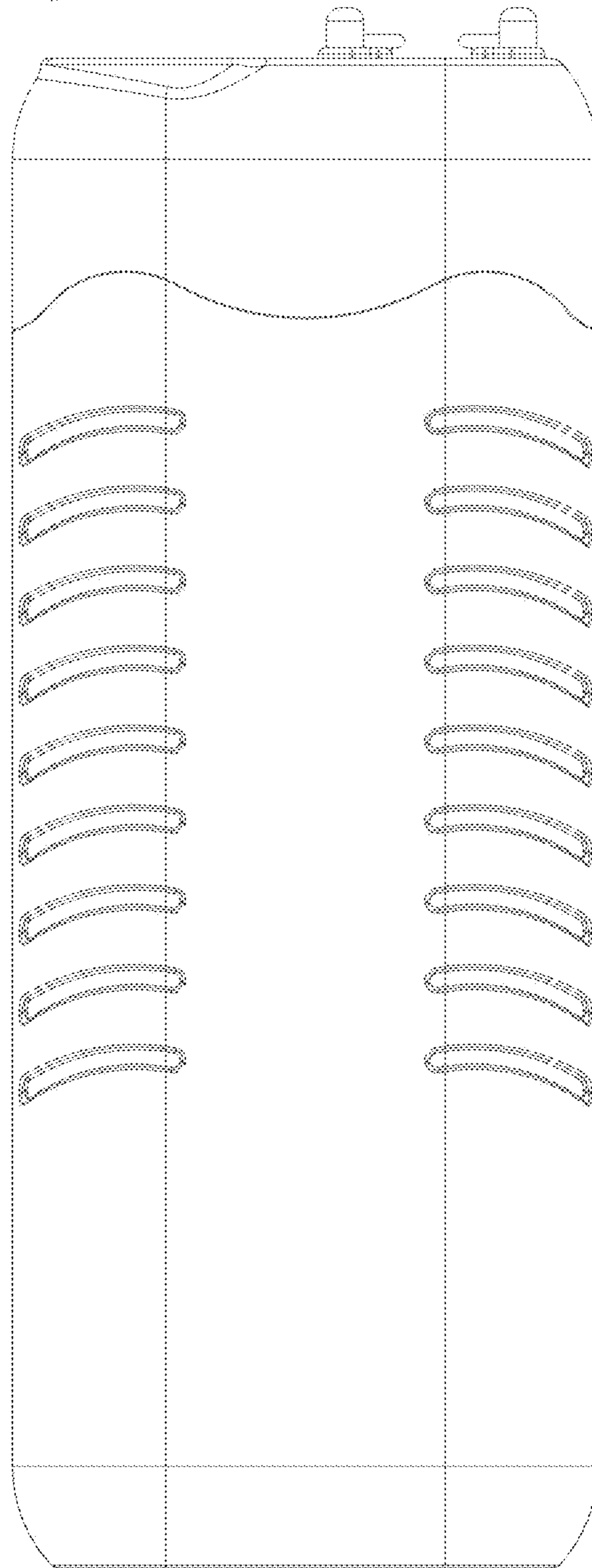


FIG.3

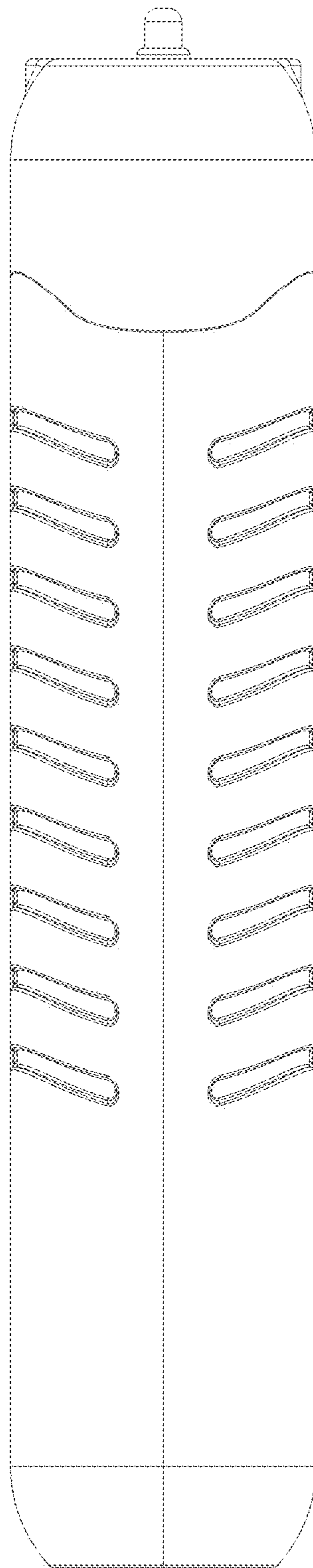


FIG.4

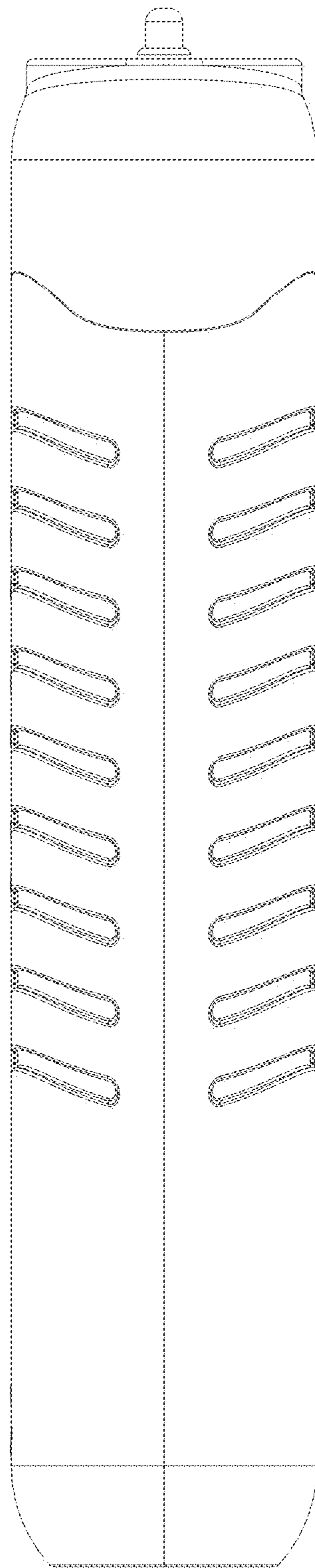


FIG.5

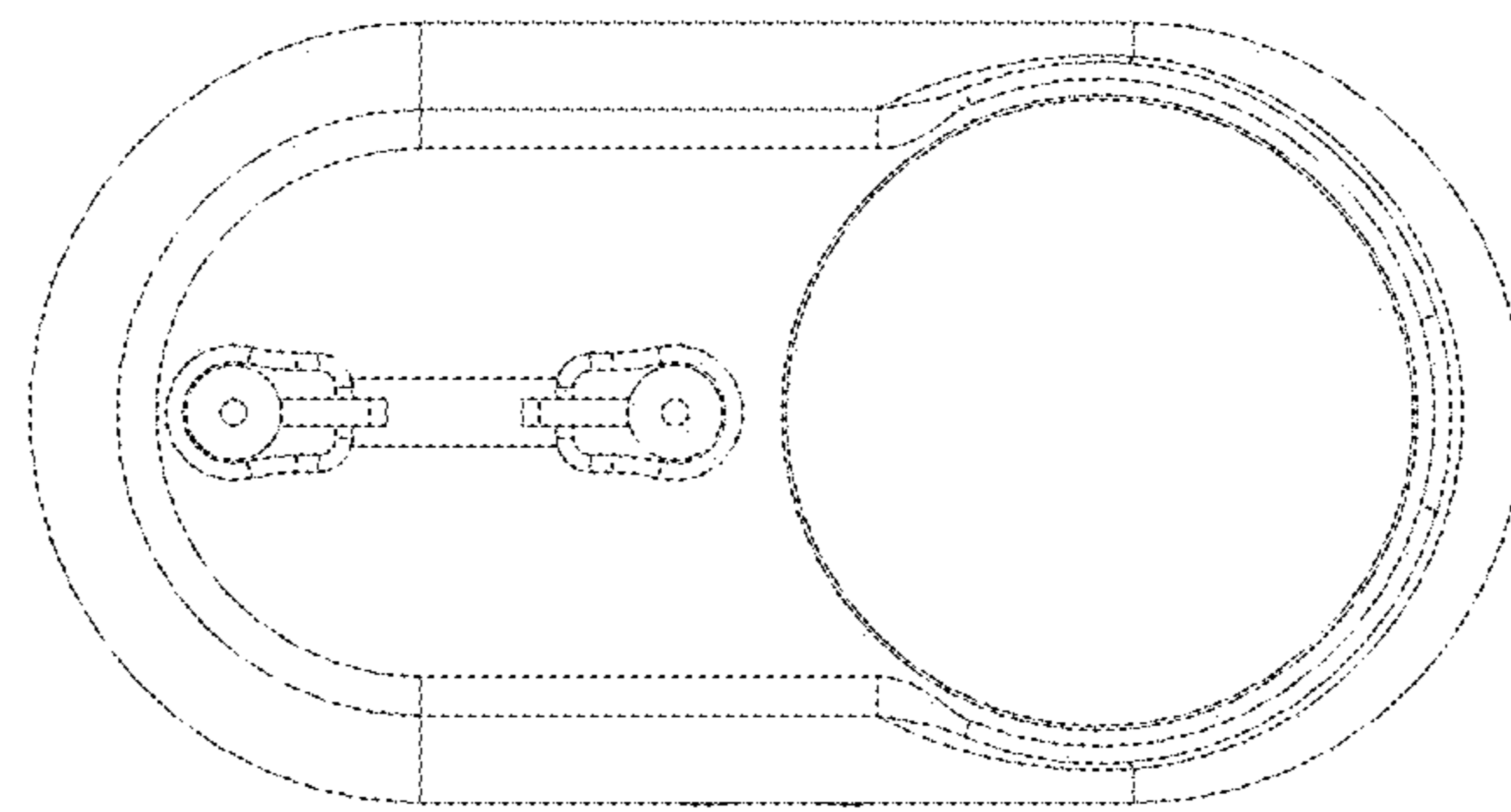


FIG.6

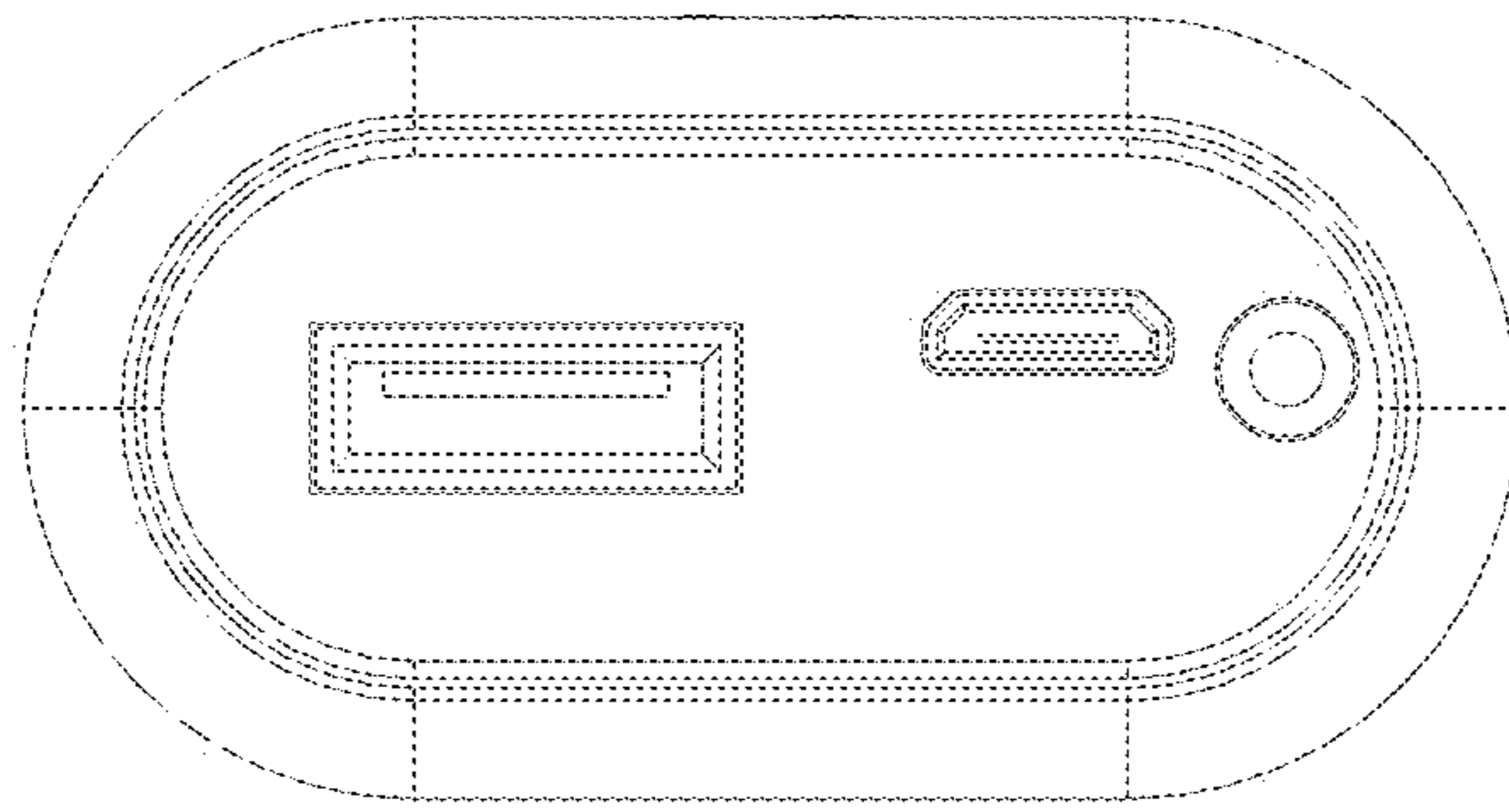


FIG. 7