



US00D903169S

(12) **United States Design Patent**  
**Xu**

(10) **Patent No.:** **US D903,169 S**

(45) **Date of Patent:** **\*\* Nov. 24, 2020**

(54) **CAR LIGHT**

(71) Applicant: **Jian Xu**, Longquan (CN)

(72) Inventor: **Jian Xu**, Longquan (CN)

(\*\*) Term: **15 Years**

(21) Appl. No.: **29/714,802**

(22) Filed: **Nov. 26, 2019**

(51) **LOC (12) Cl.** ..... **26-06**

(52) **U.S. Cl.**  
USPC ..... **D26/28**

(58) **Field of Classification Search**  
USPC ..... D26/28-36, 139  
CPC ..... F21S 48/00; F21S 48/10; F21S 48/115;  
F21S 48/225; F21S 48/1233; F21S  
48/1266; F21S 48/1388; F21S 48/2268;  
F21V 21/04; F21V 29/004; B60Q 9/13;  
B60Q 9/135; B60Q 9/1375  
See application file for complete search history.

(56) **References Cited**

**U.S. PATENT DOCUMENTS**

D588,720 S 3/2009 Liu  
D710,042 S \* 7/2014 Georgitsis ..... D26/28

D713,570 S \* 9/2014 Yoshida ..... D26/28  
D765,288 S \* 8/2016 Ueda ..... D26/28  
D769,490 S \* 10/2016 Ma ..... D26/28  
D772,446 S \* 11/2016 Largent ..... D26/28  
D777,961 S \* 1/2017 Wu ..... D26/28  
D841,205 S \* 2/2019 Dai ..... D26/28  
D846,775 S \* 4/2019 Yan ..... D26/28

\* cited by examiner

*Primary Examiner* — Marcus A Jackson

(74) *Attorney, Agent, or Firm* — ZANIP

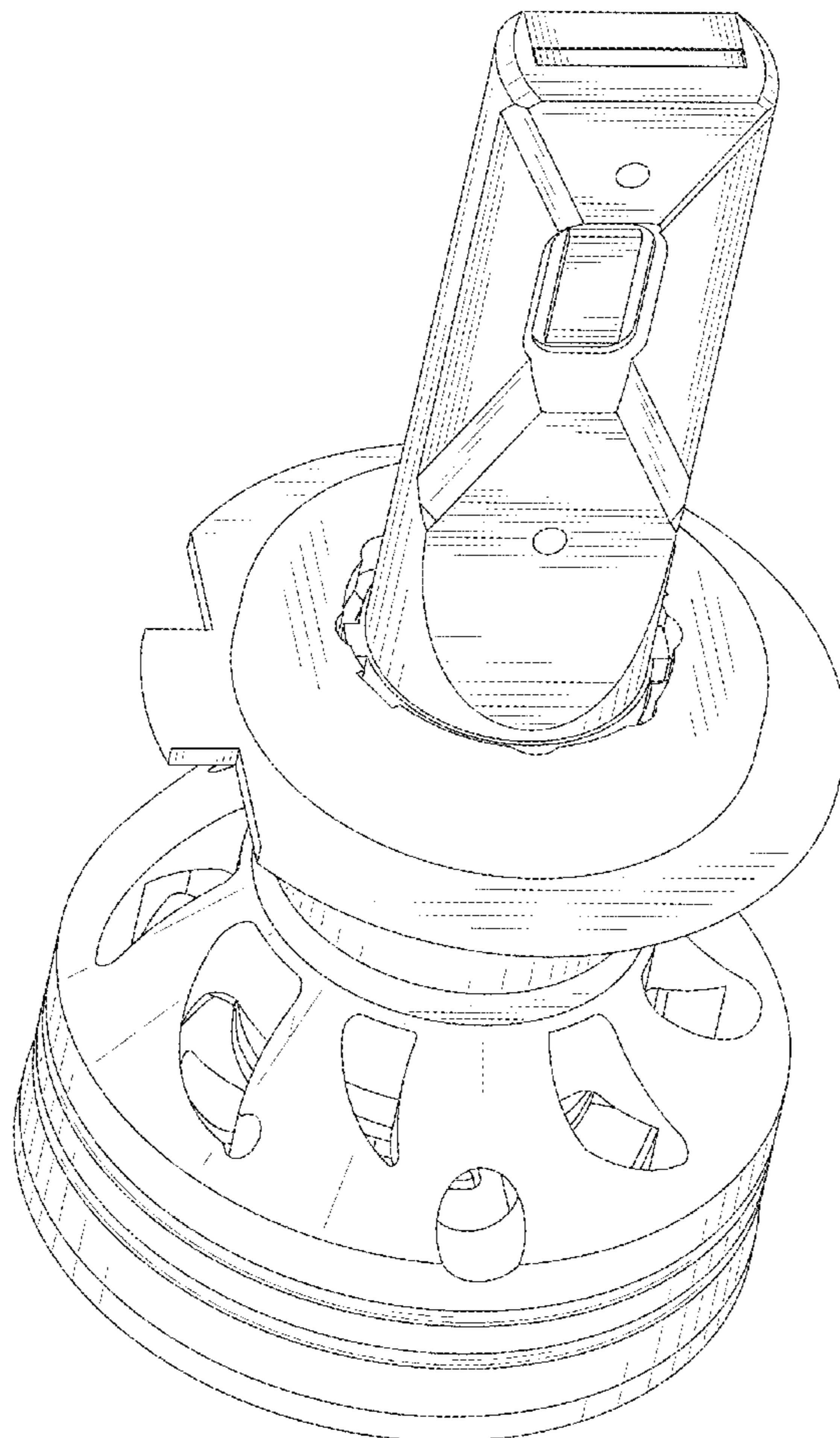
(57) **CLAIM**

The ornamental design for a car light, as shown and described.

**DESCRIPTION**

FIG. 1 is a perspective view of a car light showing my new design;  
FIG. 2 is another perspective view thereof;  
FIG. 3 is a front view thereof;  
FIG. 4 is a rear view thereof;  
FIG. 5 is a left view thereof;  
FIG. 6 is a right view thereof;  
FIG. 7 is a top plan view thereof; and,  
FIG. 8 is a bottom plan view thereof.

**1 Claim, 8 Drawing Sheets**



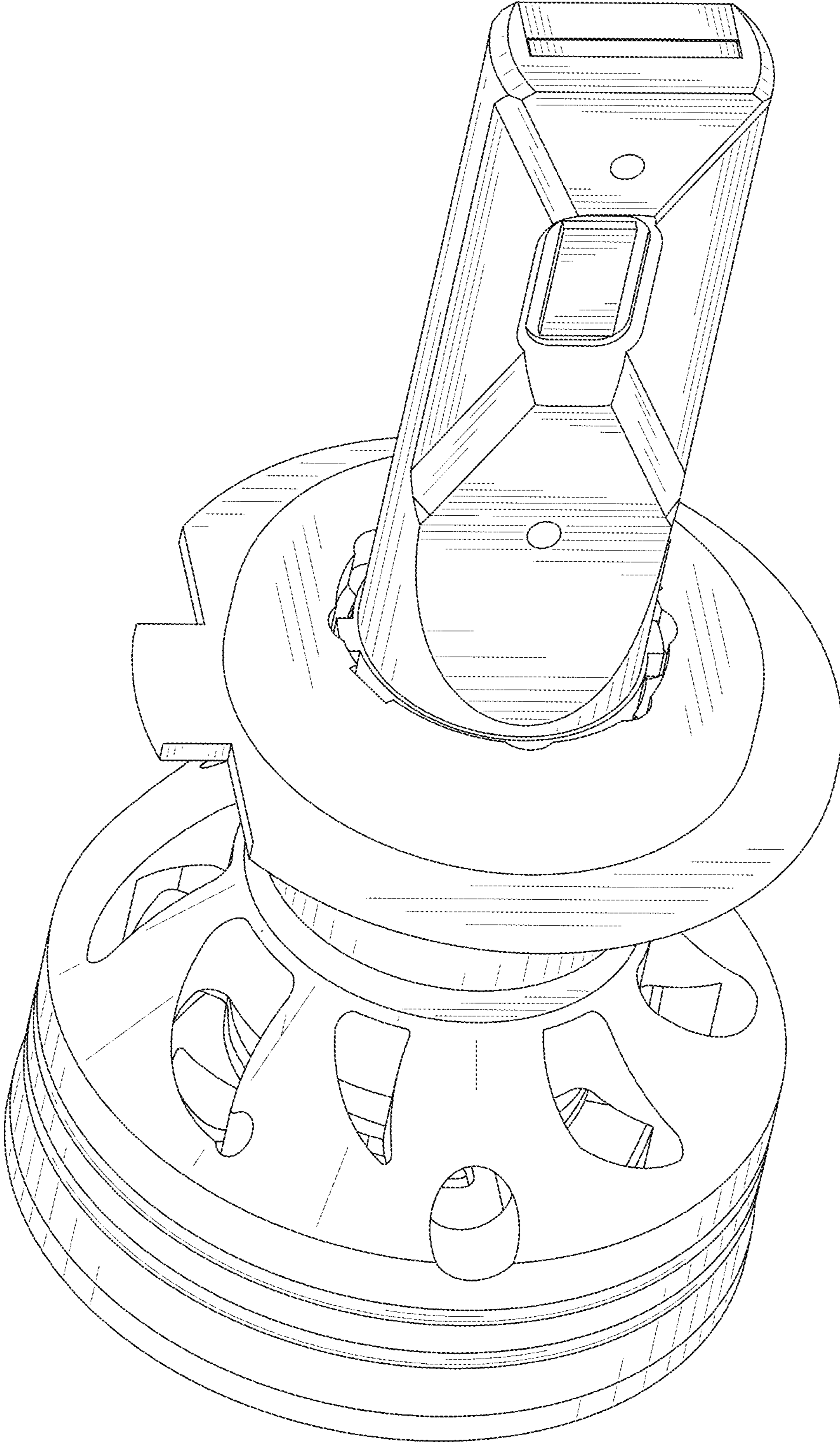


FIG. 1

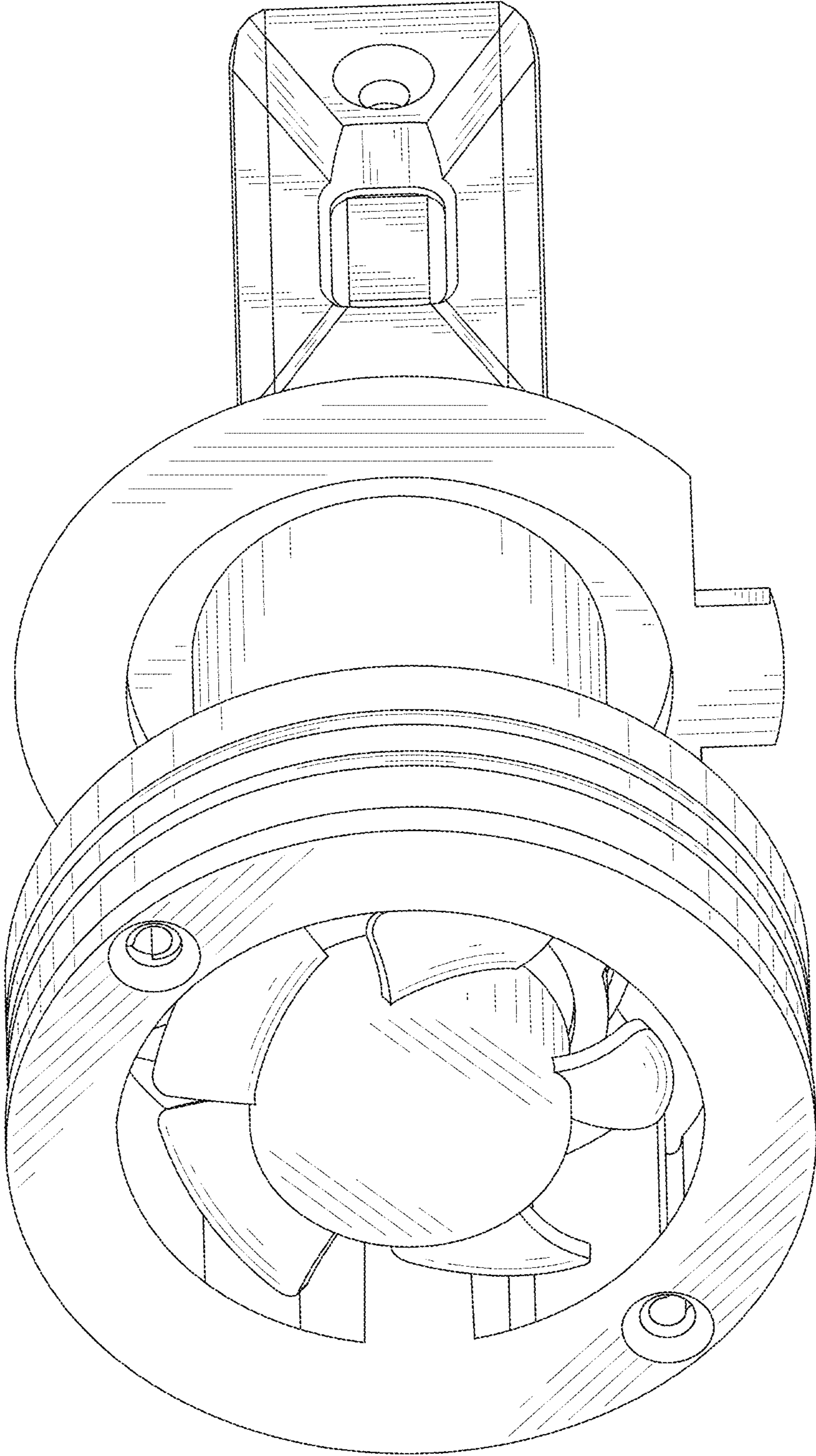


FIG. 2

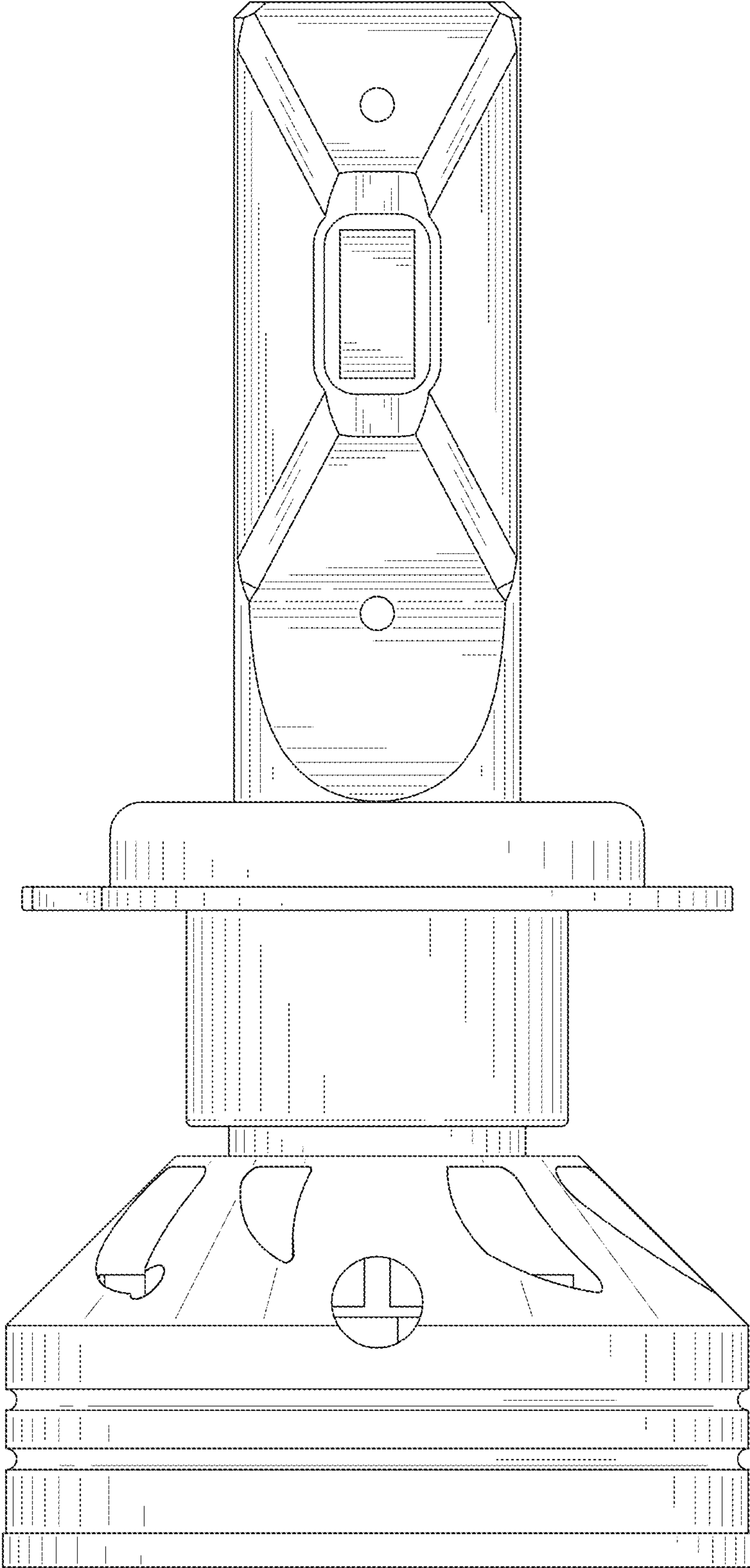


FIG. 3

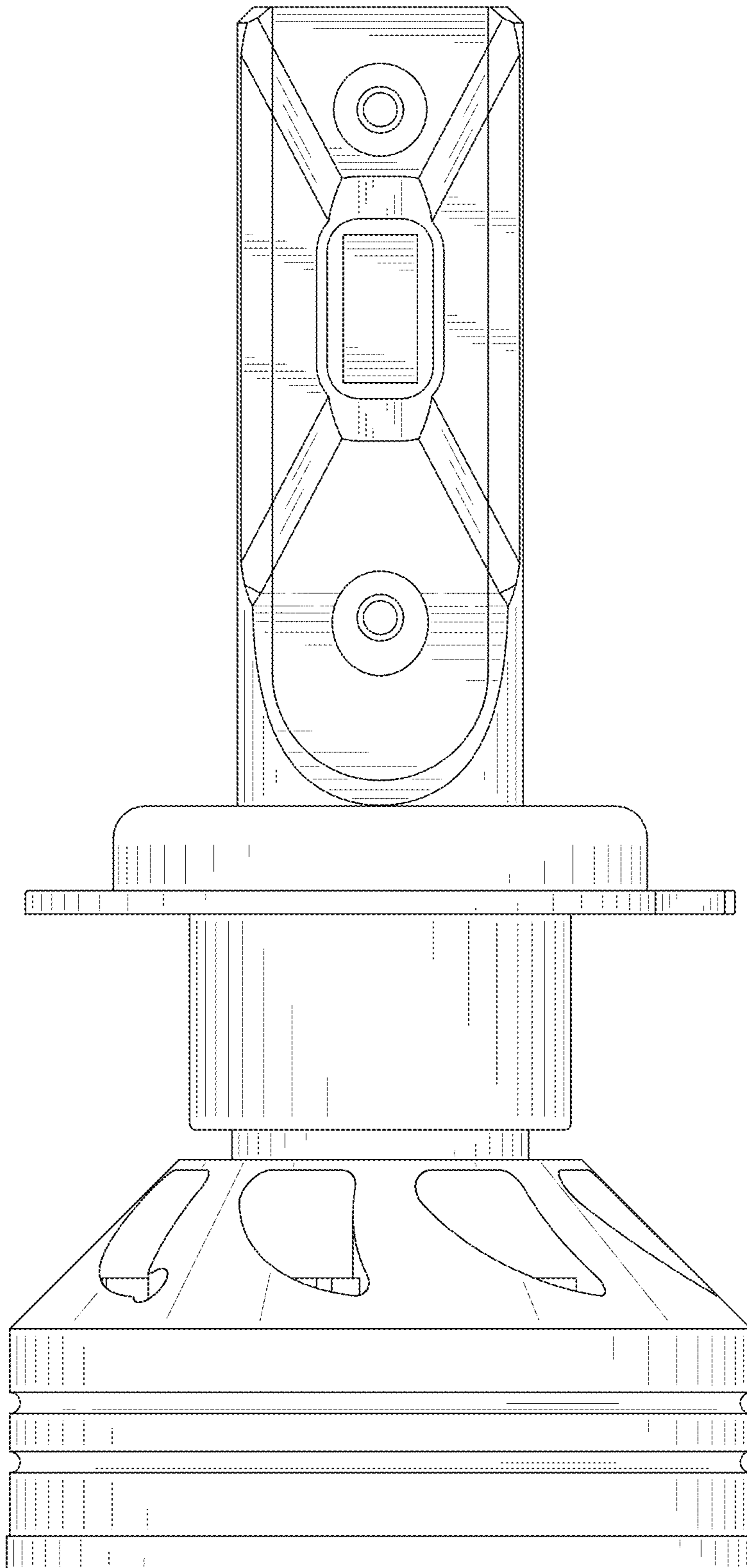


FIG. 4

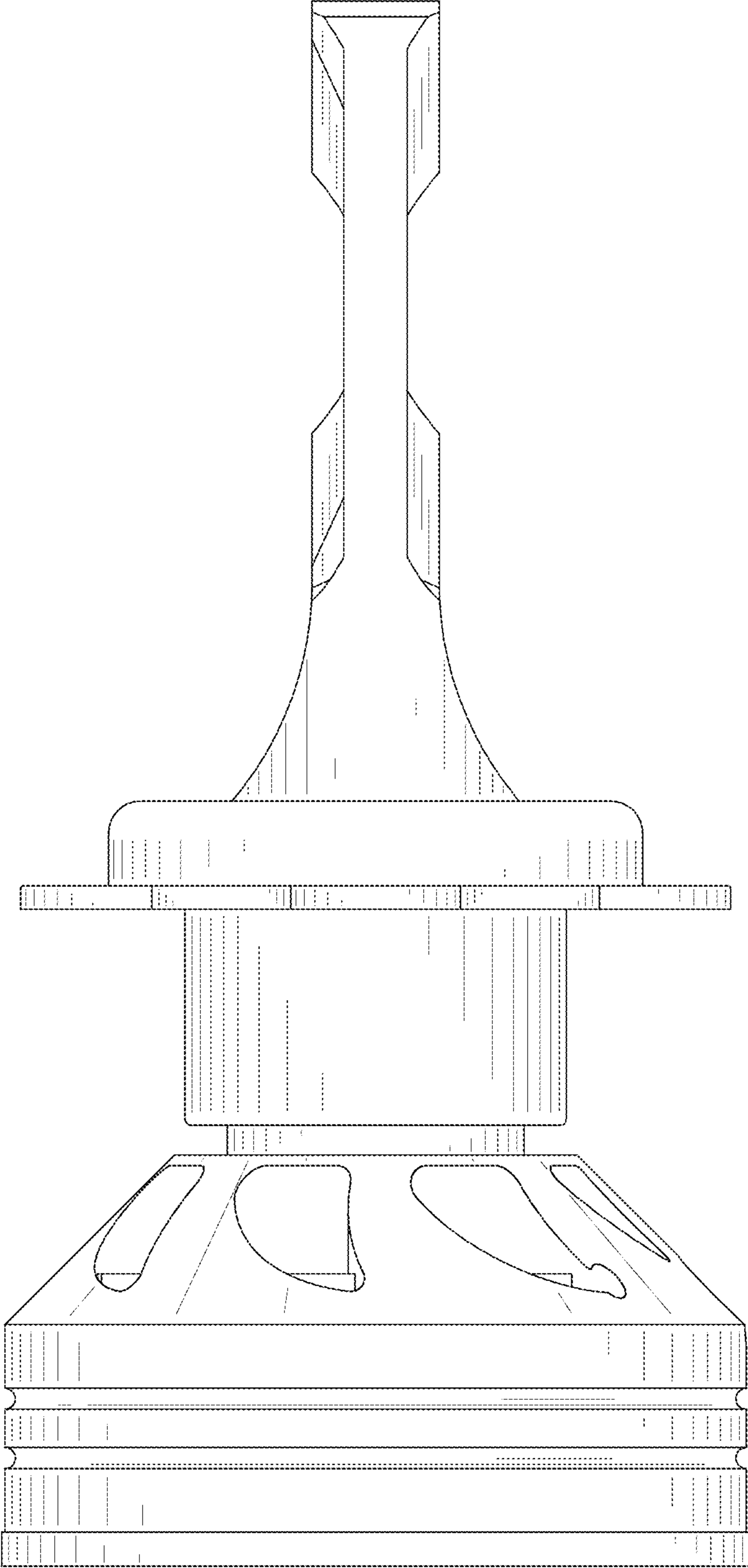


FIG. 5

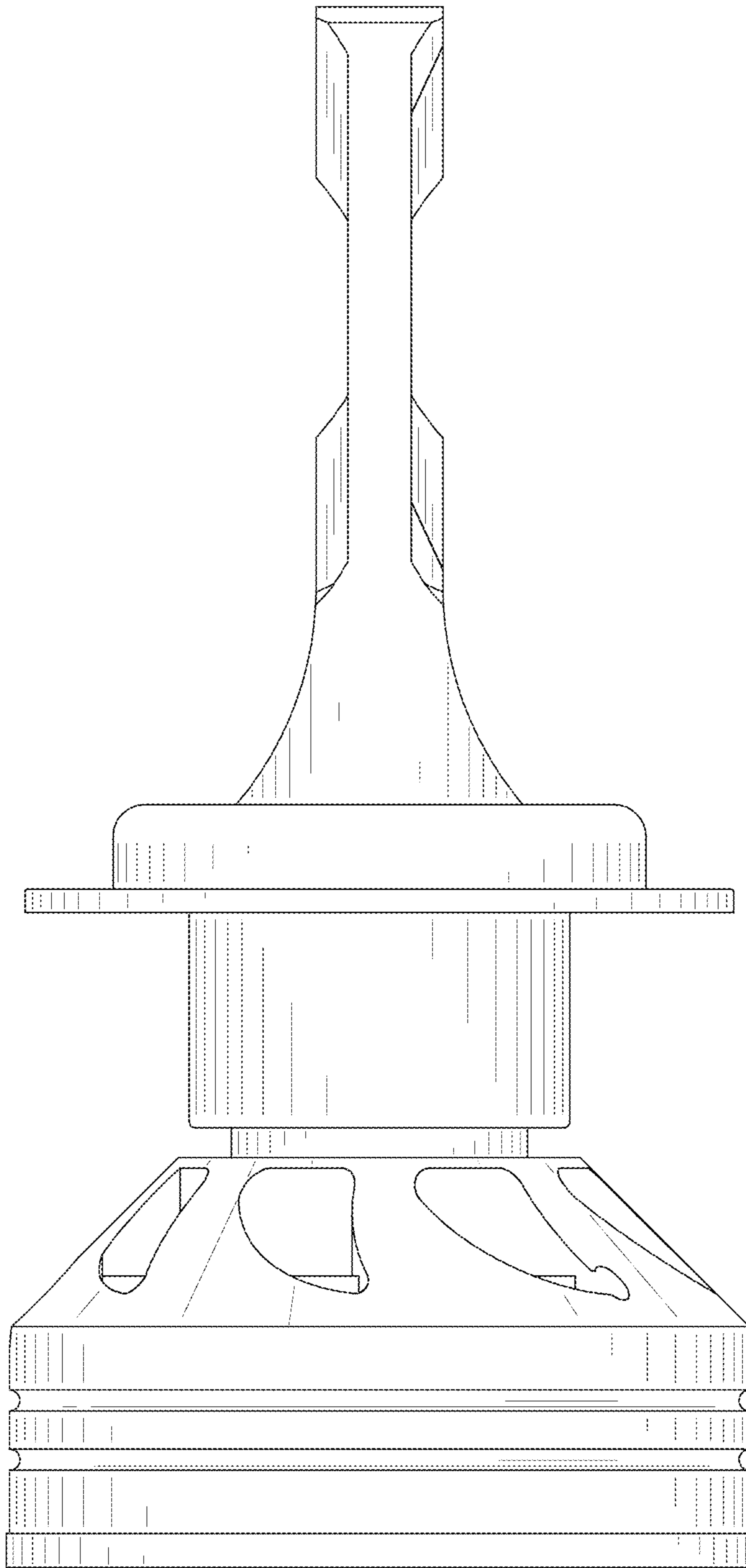


FIG. 6

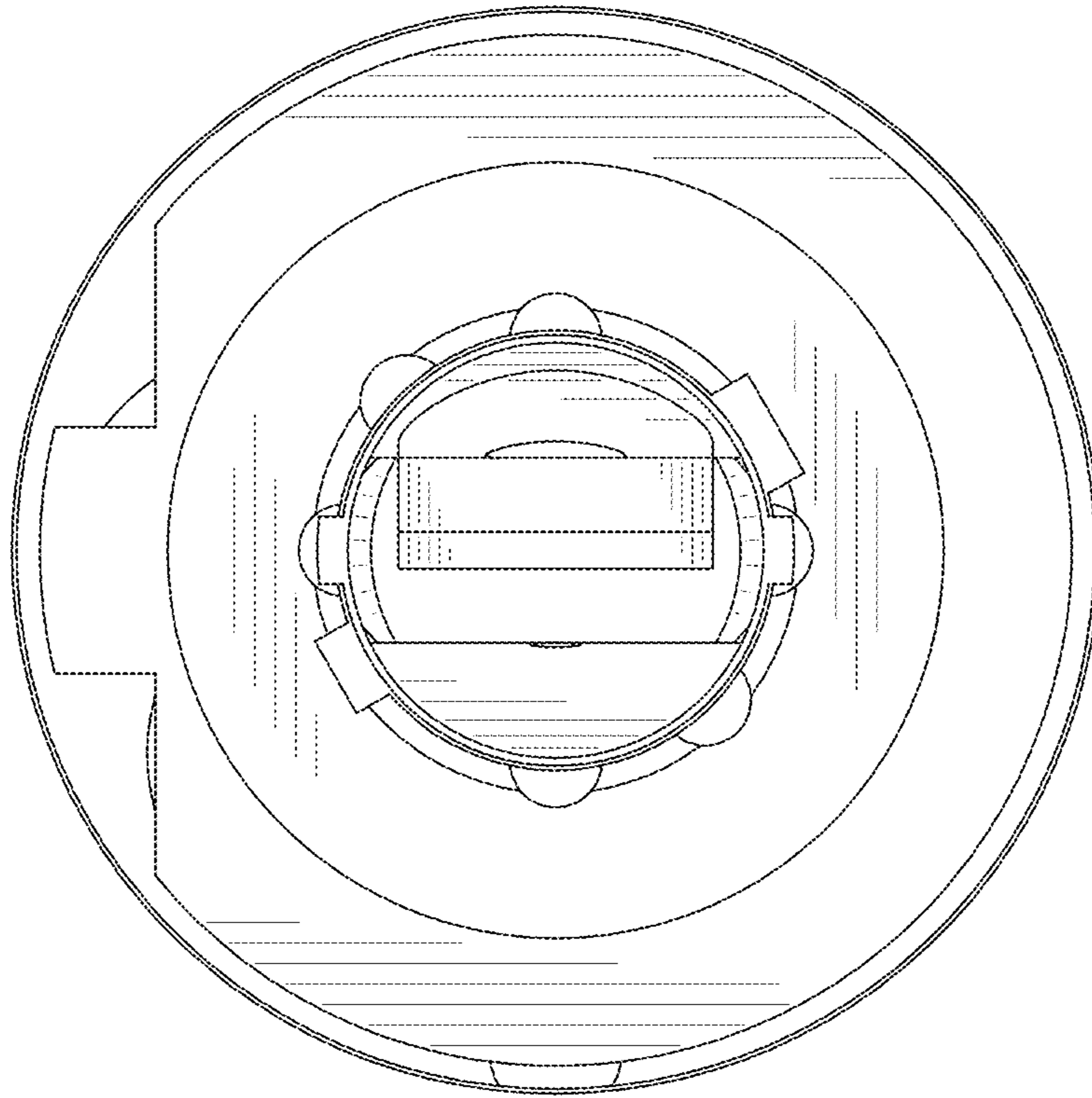


FIG. 7



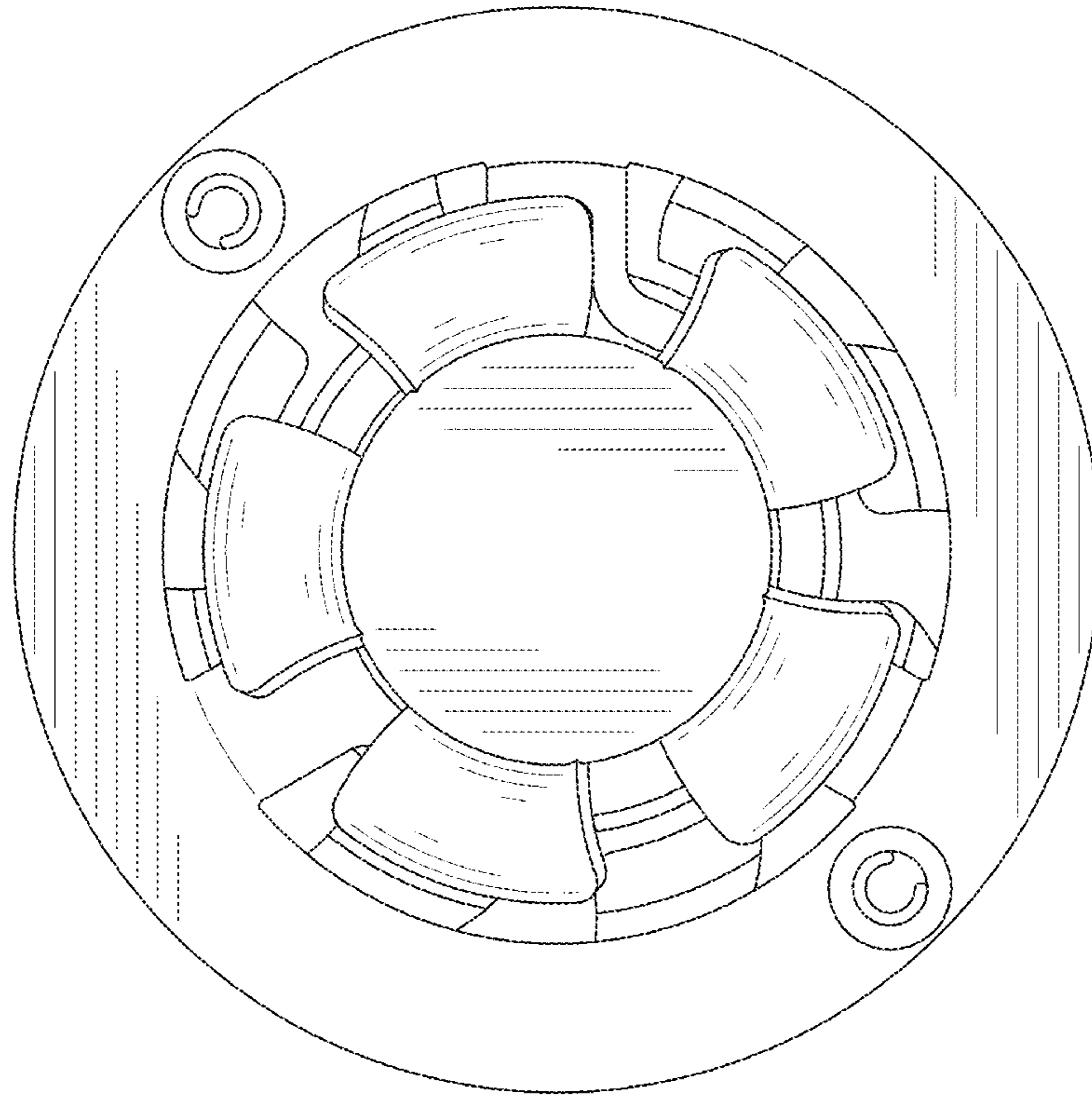


FIG. 8