



US00D903157S

(12) **United States Design Patent** (10) **Patent No.:** **US D903,157 S**  
**Platto et al.** (45) **Date of Patent:** **\*\* Nov. 24, 2020**

- (54) **VEHICLE HEADLIGHT**
- (71) Applicant: **Ford Global Technologies, LLC**,  
Dearborn, MI (US)
- (72) Inventors: **Gordon Platto**, Troy, MI (US); **Sean Tant**, Livonia, MI (US); **Joshua Henry**,  
Detroit, MI (US)
- (73) Assignee: **Ford Global Technologies, LLC**,  
Dearborn, MI (US)
- (\*\*) Term: **15 Years**
- (21) Appl. No.: **29/678,062**
- (22) Filed: **Jan. 25, 2019**
- (51) **LOC (12) Cl.** ..... **26-06**
- (52) **U.S. Cl.**  
USPC ..... **D26/28**
- (58) **Field of Classification Search**  
USPC ..... D26/28-36; 362/459-468, 475-478,  
362/485-487  
CPC ..... F21S 48/00; F21S 48/10; F21S 48/115;  
F21S 48/225; F21S 48/1233; F21S  
48/1266; F21S 48/1388; F21S 48/2268;  
F21V 21/04  
See application file for complete search history.

D771,850 S	11/2016	Platto et al.	
D842,503 S *	3/2019	Yang .....	D26/28
D849,285 S *	5/2019	Lin .....	D26/28
D855,849 S *	8/2019	Lin .....	D26/28
D863,622 S *	10/2019	Wu .....	D26/28
D863,627 S *	10/2019	Lin .....	D26/28
D863,628 S *	10/2019	Lin .....	D26/28
D869,700 S *	12/2019	Lin .....	D26/28
D874,034 S *	1/2020	Schmeckpeper .....	D26/28
D874,039 S *	1/2020	He .....	D26/28
D874,040 S *	1/2020	He .....	D26/28
D875,281 S *	2/2020	Schmeckpeper .....	D26/28

\* cited by examiner

*Primary Examiner* — Angela J Lee

(74) *Attorney, Agent, or Firm* — Dykema Gossett PLLC

(57) **CLAIM**

The ornamental design for a vehicle headlight, as shown and described.

**DESCRIPTION**

FIG. 1 is a front elevational view of a vehicle headlight, showing our new design;  
 FIG. 2 is a left side elevational view thereof;  
 FIG. 3 is a right side elevational view thereof;  
 FIG. 4 is a top plan view thereof;  
 FIG. 5 is a bottom plan view thereof;  
 FIG. 6 is a top, front and left side perspective view thereof; and,  
 FIG. 7 is a bottom, front and left side perspective view thereof.

The broken lines represent an internal boundary of the design; the line itself and the lighter gray shaded areas to the rear of the broken line form no part of the claimed design.

**1 Claim, 7 Drawing Sheets**

- (56) **References Cited**  
U.S. PATENT DOCUMENTS  
D535,045 S 1/2007 Schiavone et al.  
D604,874 S 11/2009 Golden et al.  
D769,480 S \* 10/2016 Lai ..... D26/28  
D771,291 S \* 11/2016 Tsai ..... D26/28



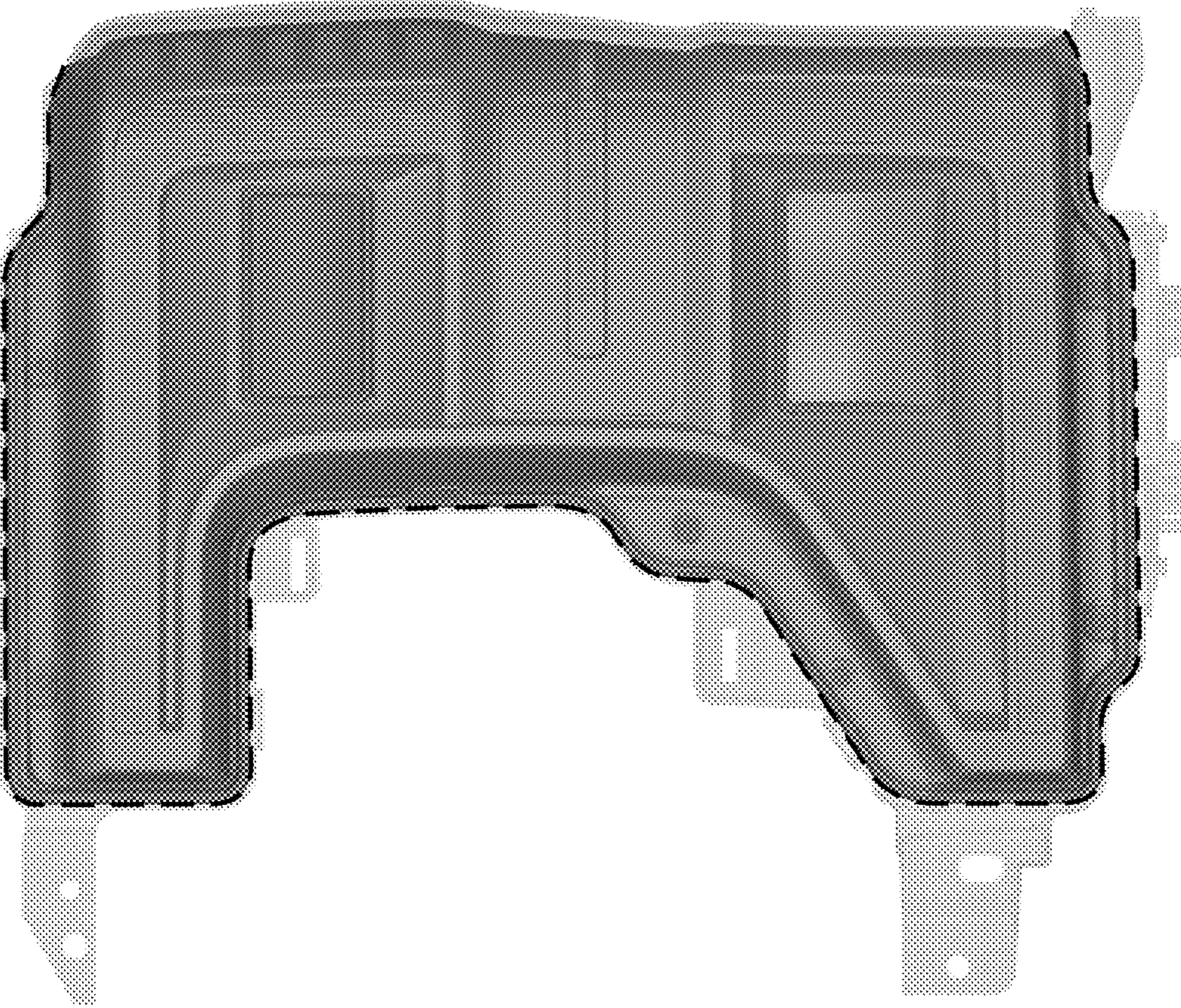


Fig. 1

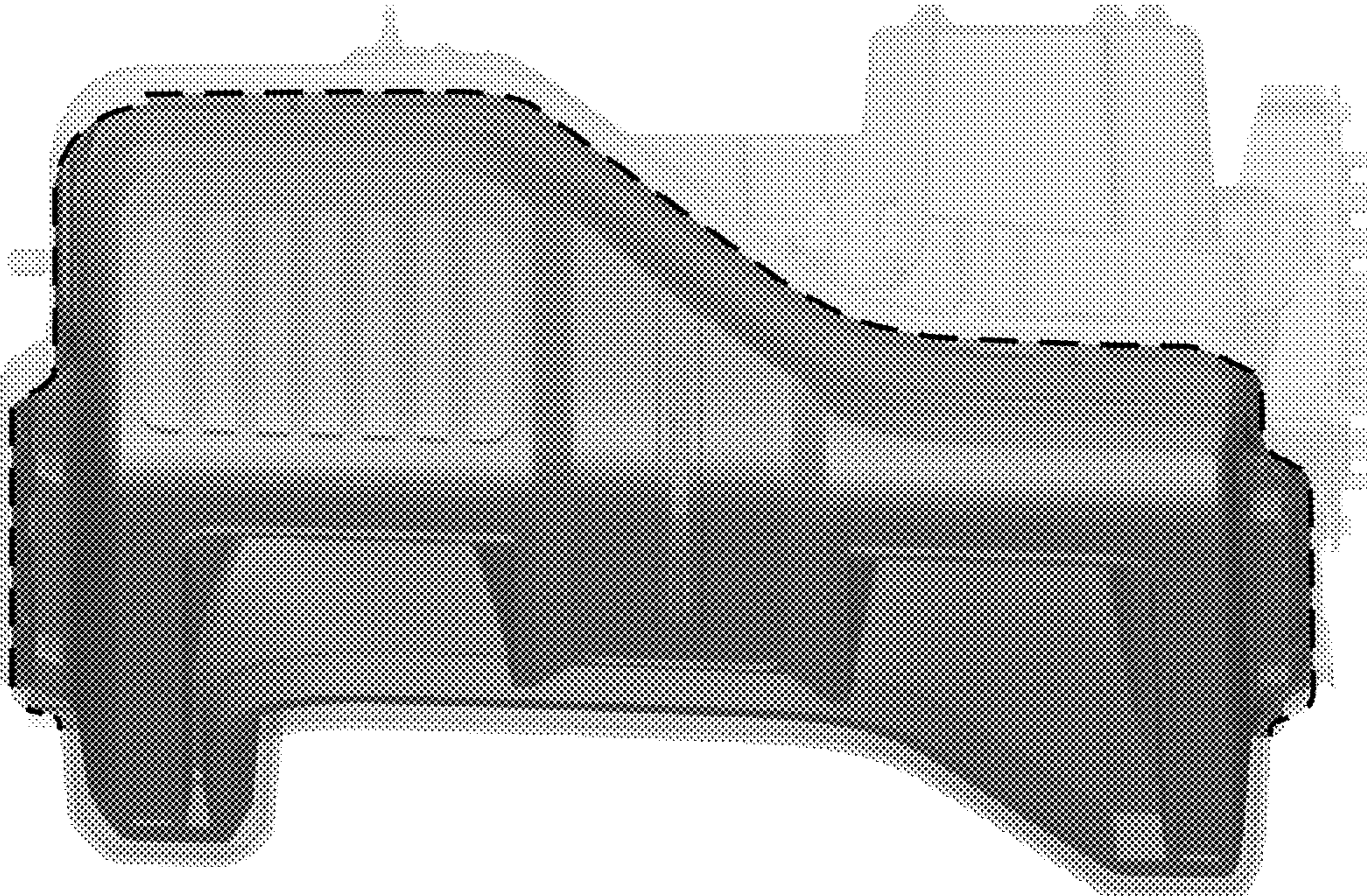


Fig. 2

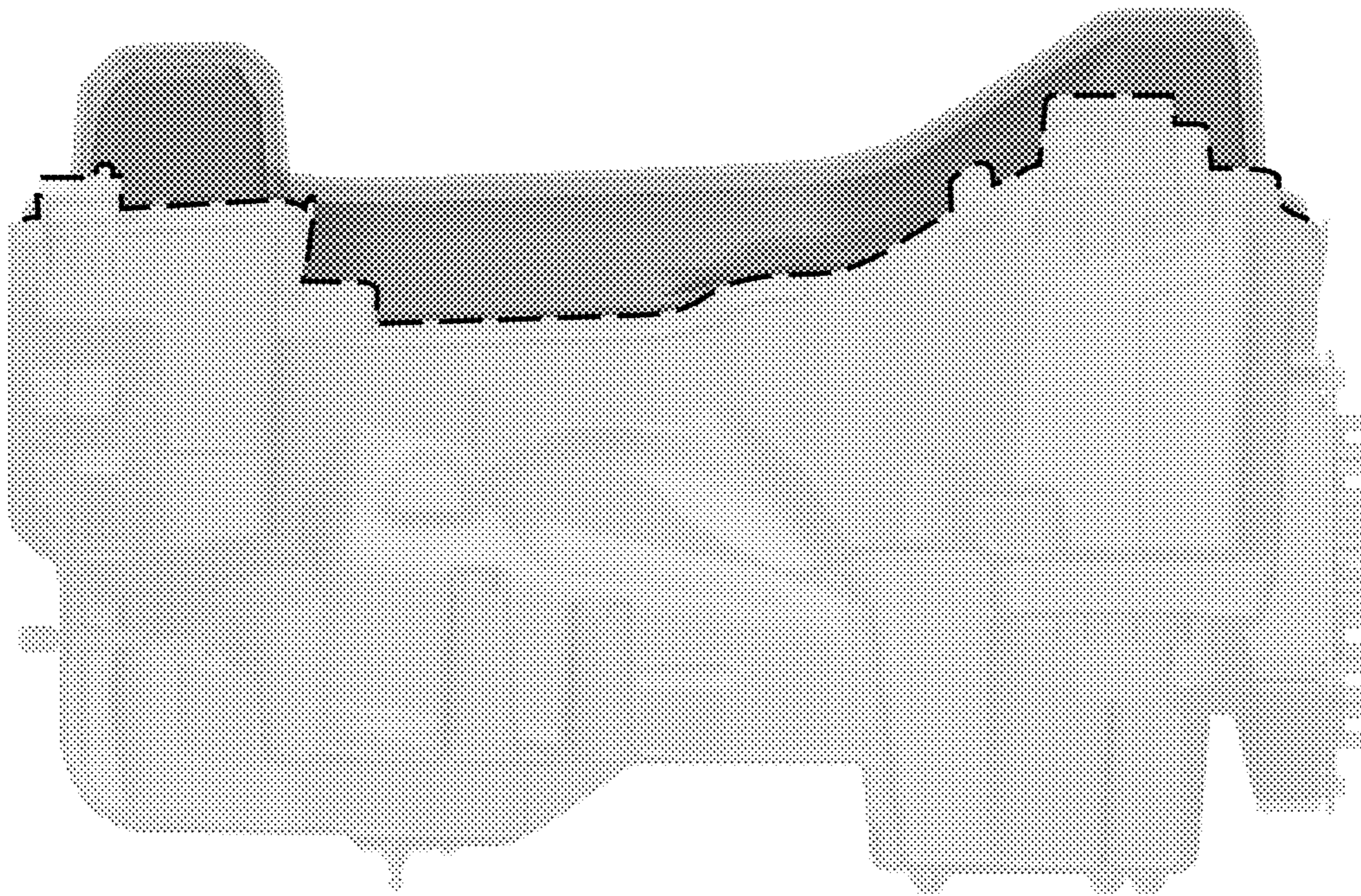


Fig. 3

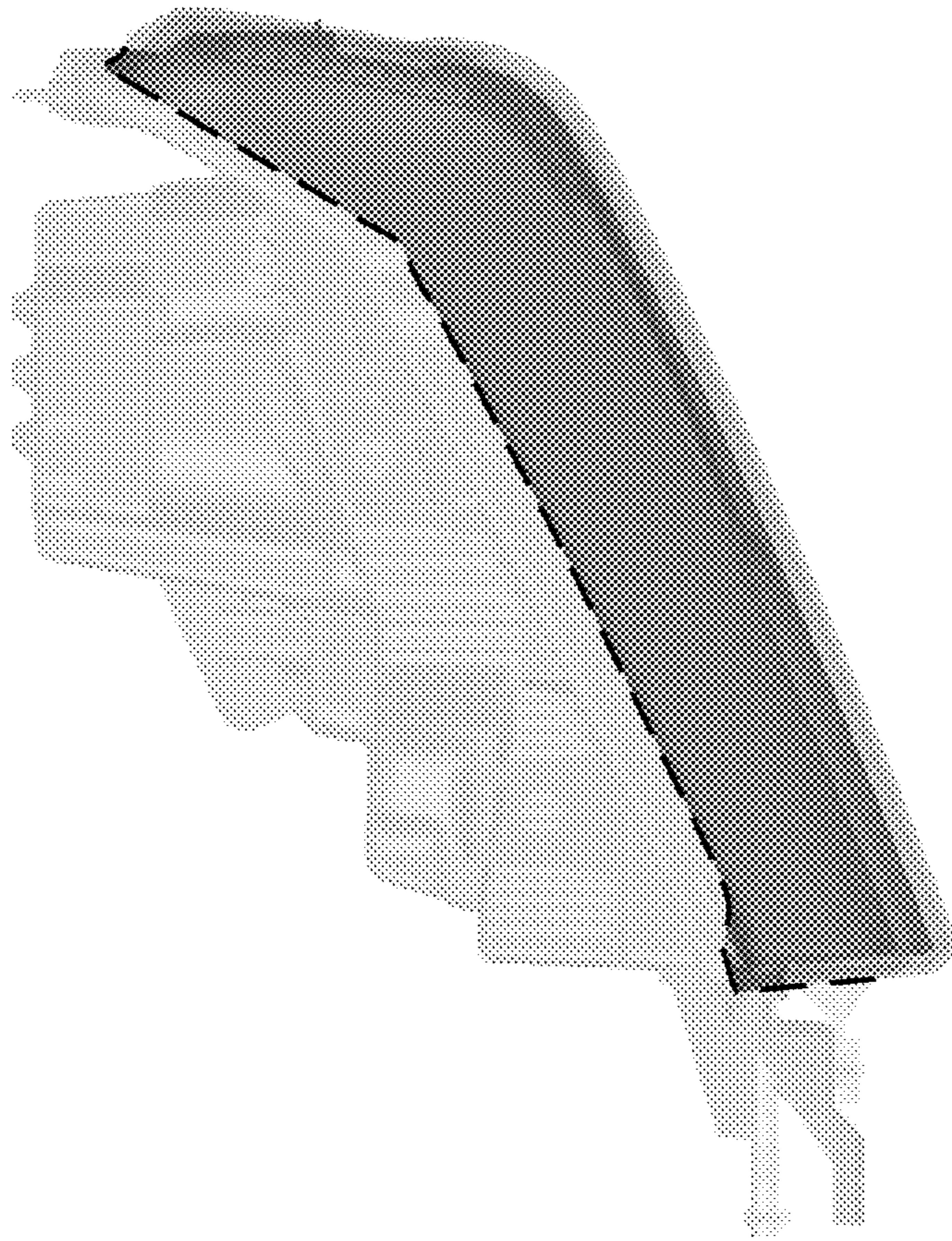


Fig. 4

Fig. 5

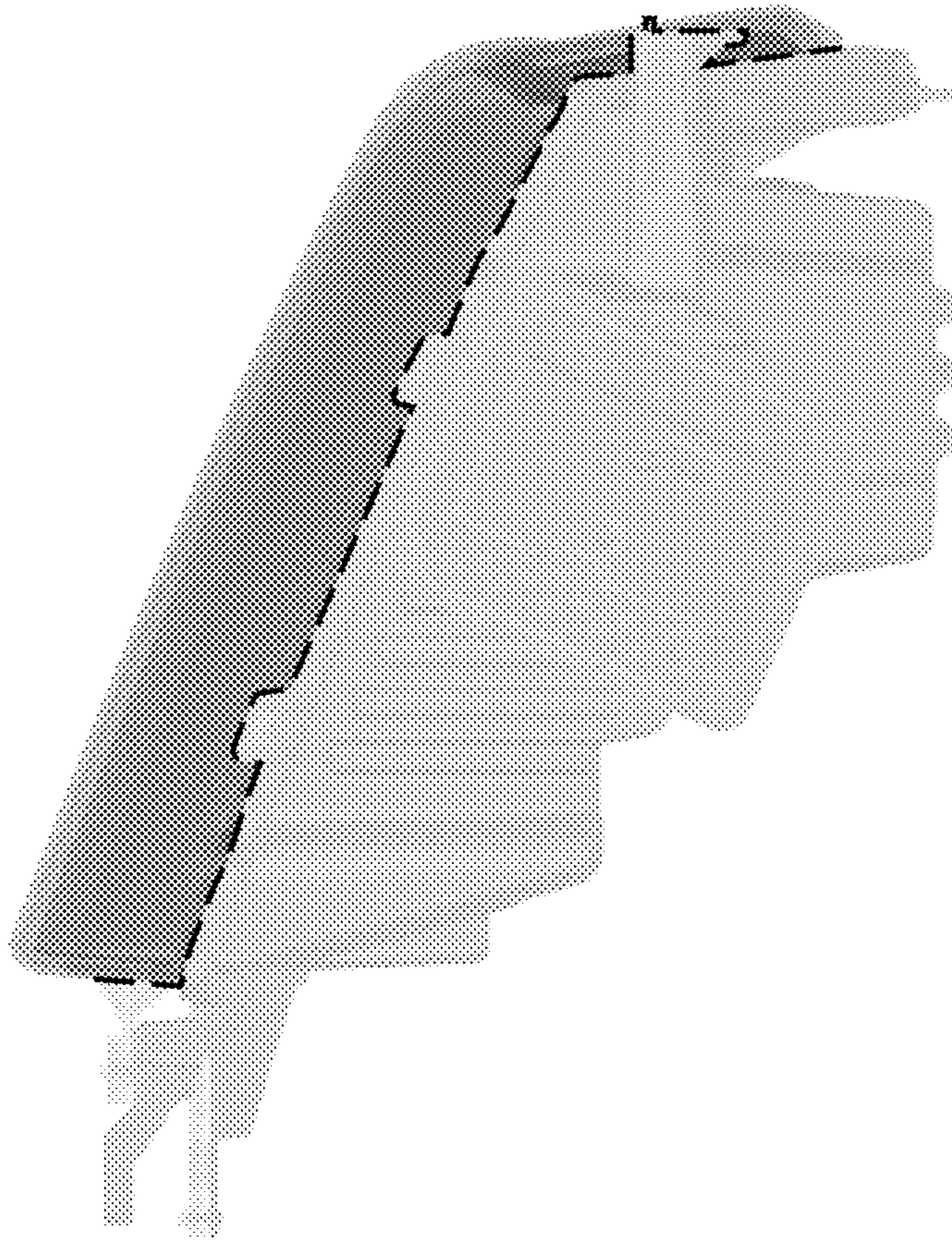




Fig.6



Fig.7