



US00D903156S

(12) **United States Design Patent** (10) **Patent No.:** **US D903,156 S**
Platto et al. (45) **Date of Patent:** **** Nov. 24, 2020**

(54) **VEHICLE HEADLIGHT**
(71) Applicant: **Ford Global Technologies, LLC**,
Dearborn, MI (US)
(72) Inventors: **Gordon Platto**, Troy, MI (US); **Sean Tant**, Livonia, MI (US); **Joshua Henry**,
Detroit, MI (US)
(73) Assignee: **Ford Global Technologies, LLC**,
Dearborn, MI (US)
(**) Term: **15 Years**
(21) Appl. No.: **29/678,059**
(22) Filed: **Jan. 25, 2019**
(51) **LOC (12) Cl.** **26-06**
(52) **U.S. Cl.**
USPC **D26/28**
(58) **Field of Classification Search**
USPC D26/28-36; 362/459-468, 475-478,
362/485-487
CPC F21S 48/00; F21S 48/10; F21S 48/115;
F21S 48/225; F21S 48/1233; F21S
48/1266; F21S 48/1388; F21S 48/2268;
F21V 21/04
See application file for complete search history.

D771,850 S 11/2016 Platto et al.
D842,503 S * 3/2019 Yang D26/28
D849,285 S * 5/2019 Lin D26/28
D855,849 S * 8/2019 Lin D26/28
D863,622 S * 10/2019 Wu D26/28
D863,627 S * 10/2019 Lin D26/28
D863,628 S * 10/2019 Lin D26/28
D869,700 S * 12/2019 Lin D26/28
D874,034 S * 1/2020 Schmeckpeper D26/28
D874,039 S * 1/2020 He D26/28
D874,040 S * 1/2020 He D26/28
D875,281 S * 2/2020 Schmeckpeper D26/28

* cited by examiner

Primary Examiner — Angela J Lee
(74) *Attorney, Agent, or Firm* — Dykema Gossett PLLC

(57) **CLAIM**

The ornamental design for a vehicle headlight, as shown and described.

DESCRIPTION

FIG. 1 is a front elevational view of a vehicle headlight, showing our new design;
FIG. 2 is a left side elevational view thereof;
FIG. 3 is a right side elevational view thereof;
FIG. 4 is a top plan view thereof;
FIG. 5 is a bottom plan view thereof;
FIG. 6 is a top, front and left side perspective view thereof; and,
FIG. 7 is a bottom, front and left side perspective view thereof.
The broken lines represent an internal boundary of the design; the line itself and the lighter gray shaded areas to the rear of the broken line form no part of the claimed design.

1 Claim, 7 Drawing Sheets

(56) **References Cited**
U.S. PATENT DOCUMENTS
D535,045 S 1/2007 Schiavone et al.
D604,874 S 11/2009 Golden et al.
D769,480 S * 10/2016 Lai D26/28
D771,291 S * 11/2016 Tsai D26/28



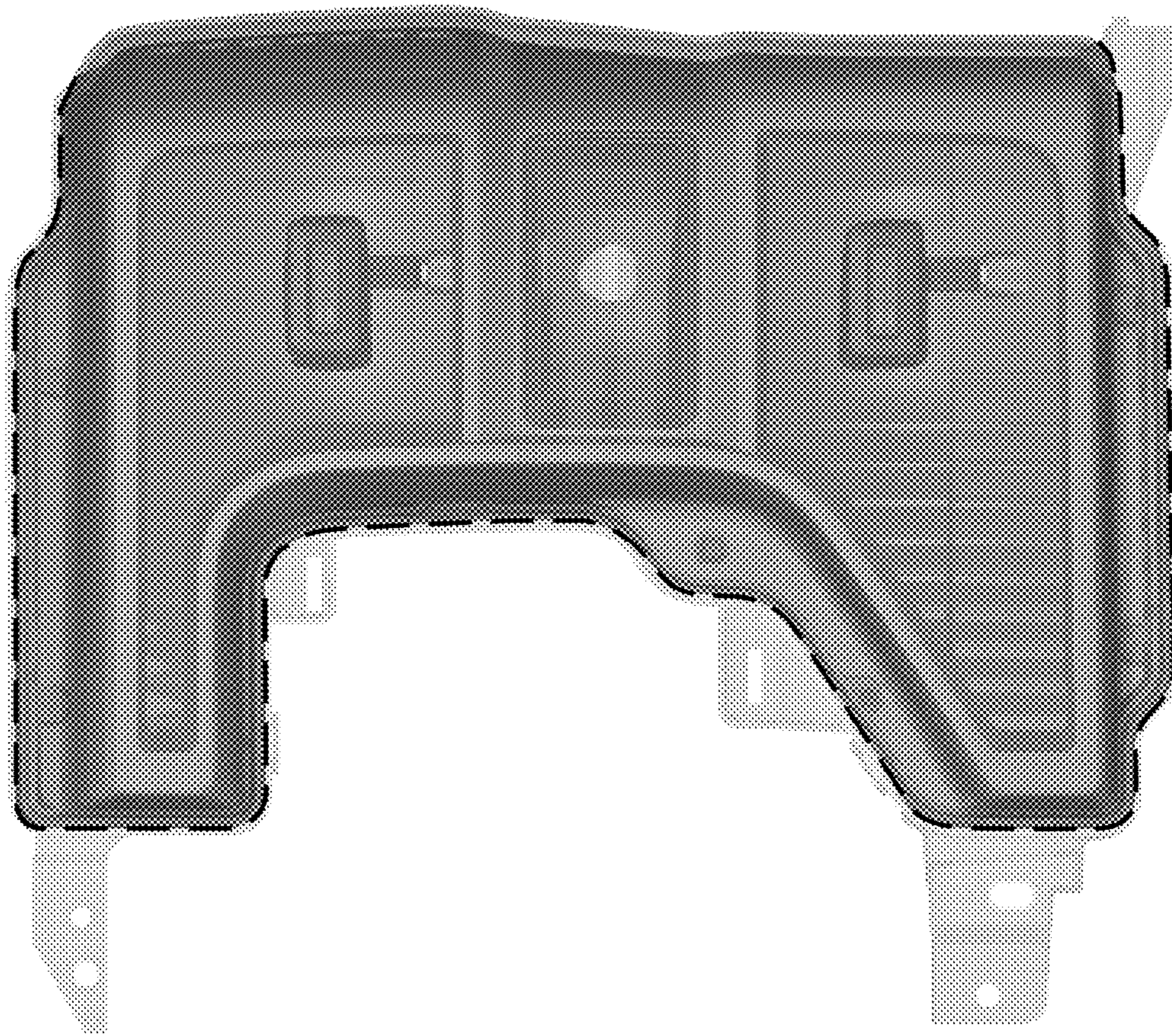


Fig.1

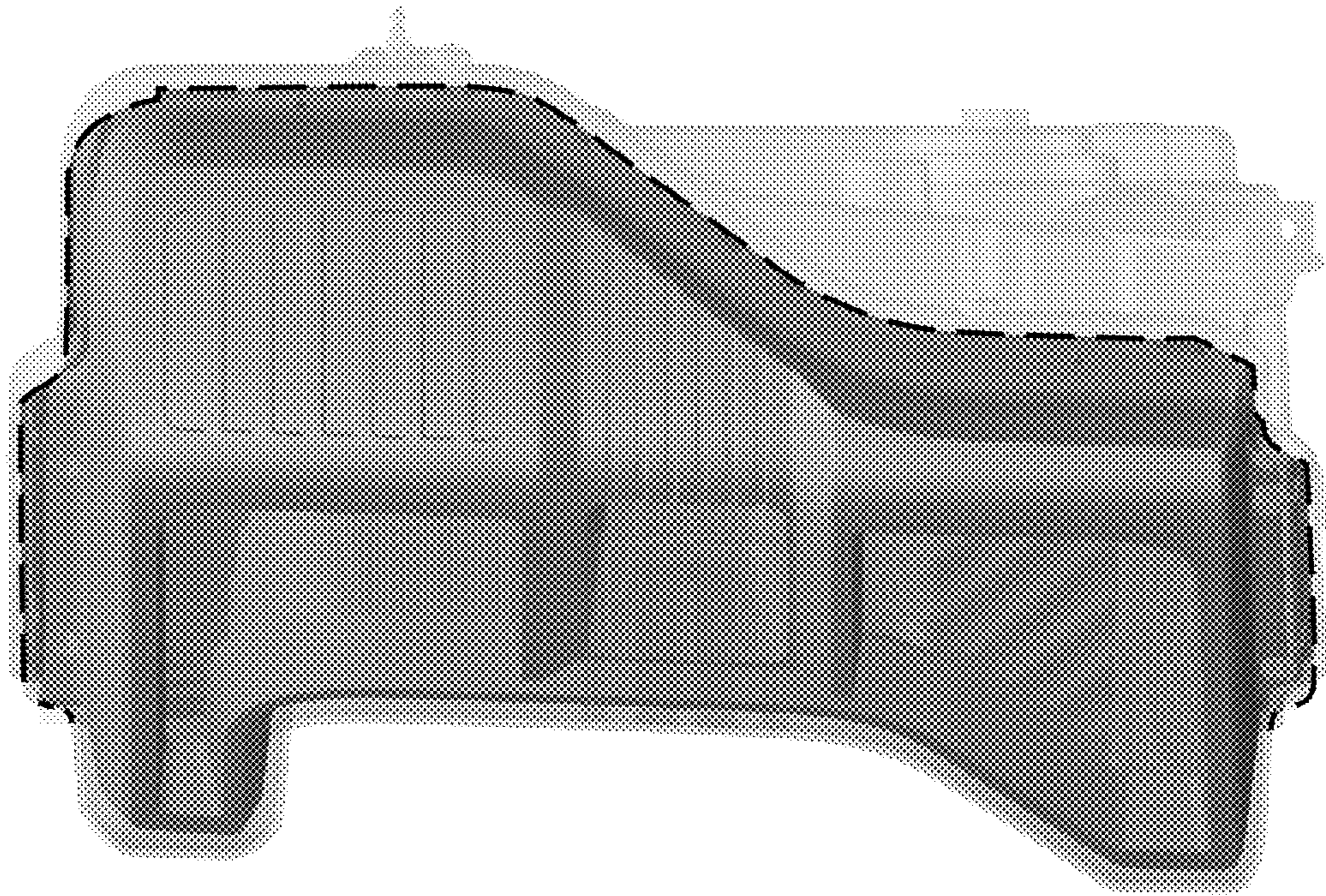


Fig. 2

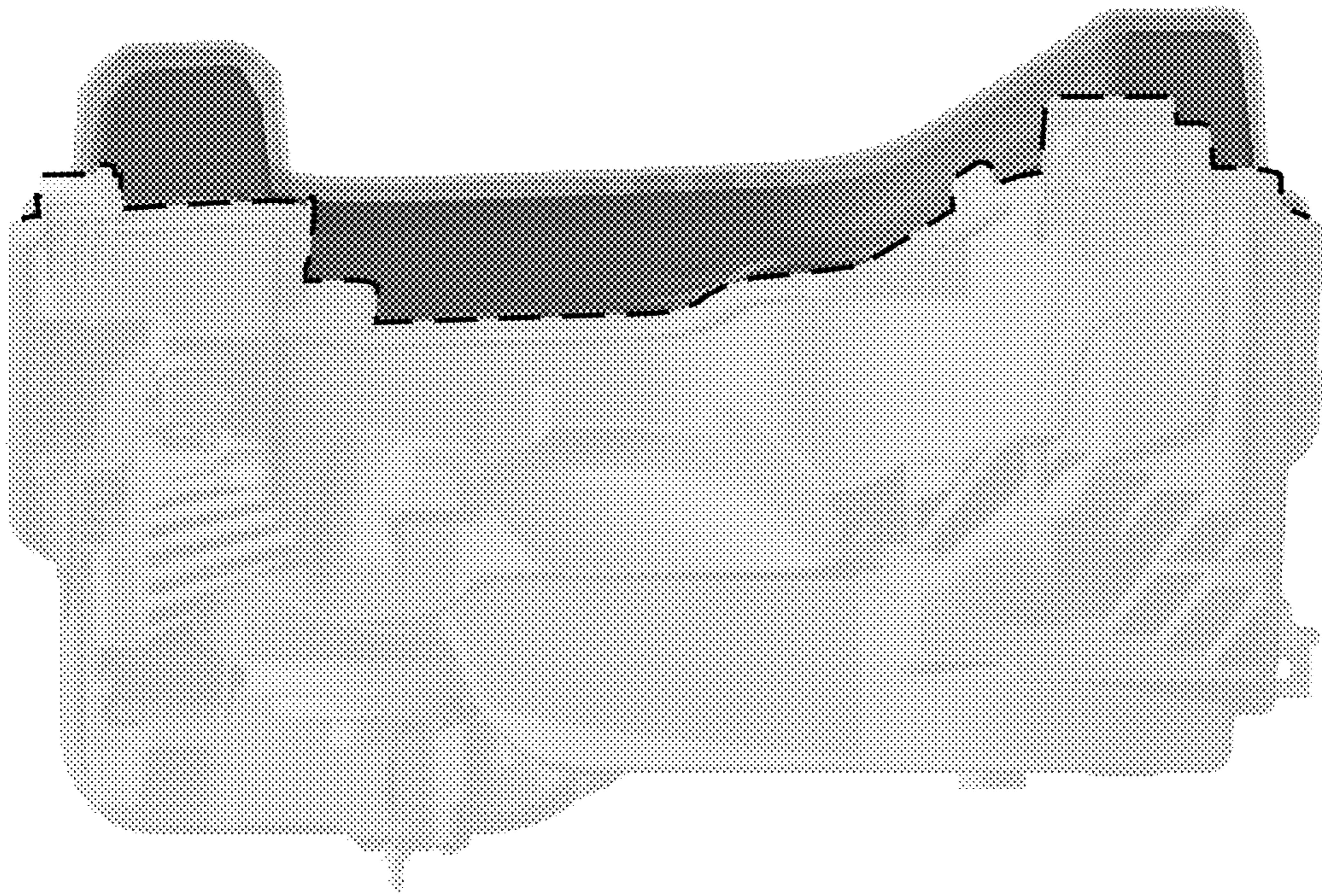


Fig. 3

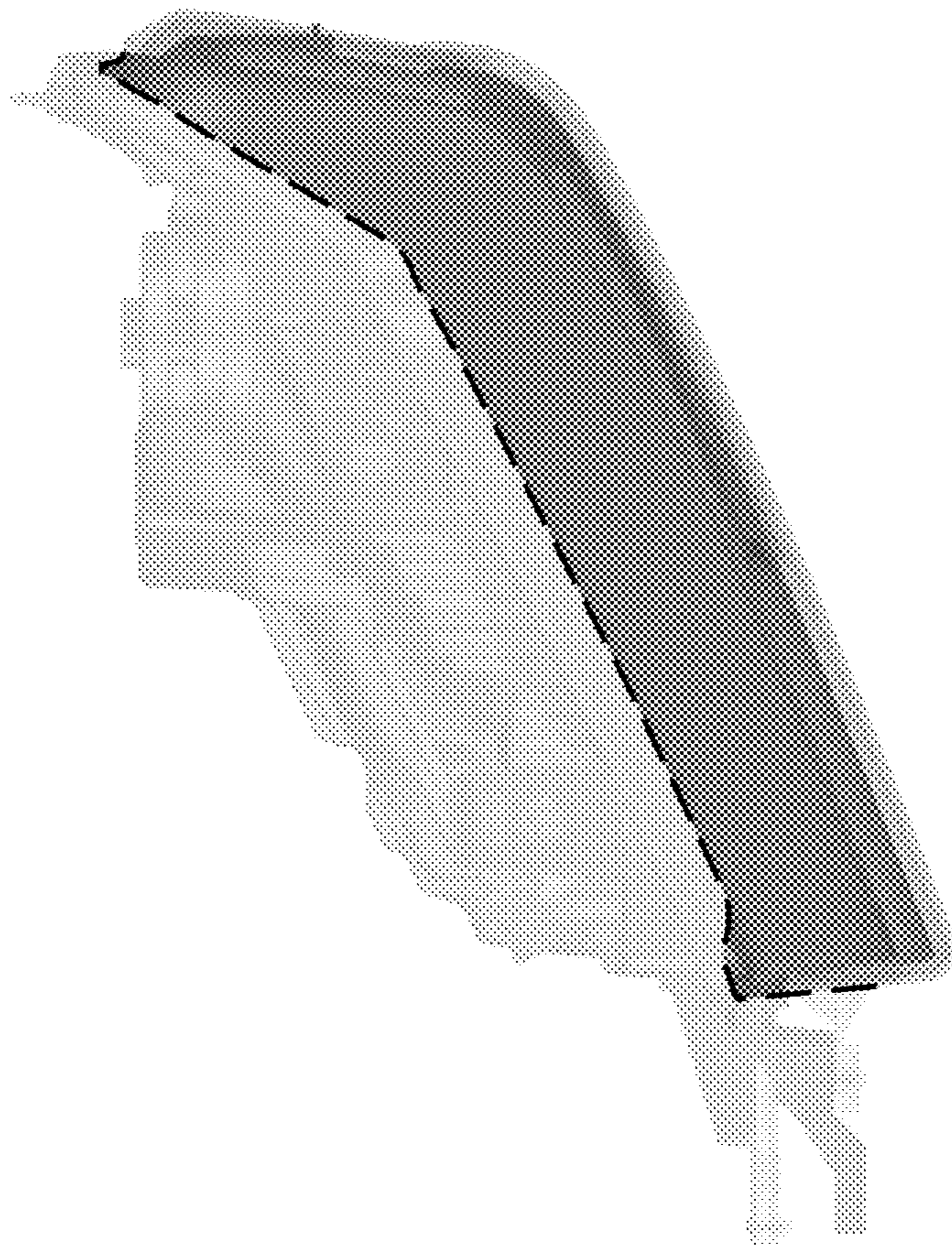
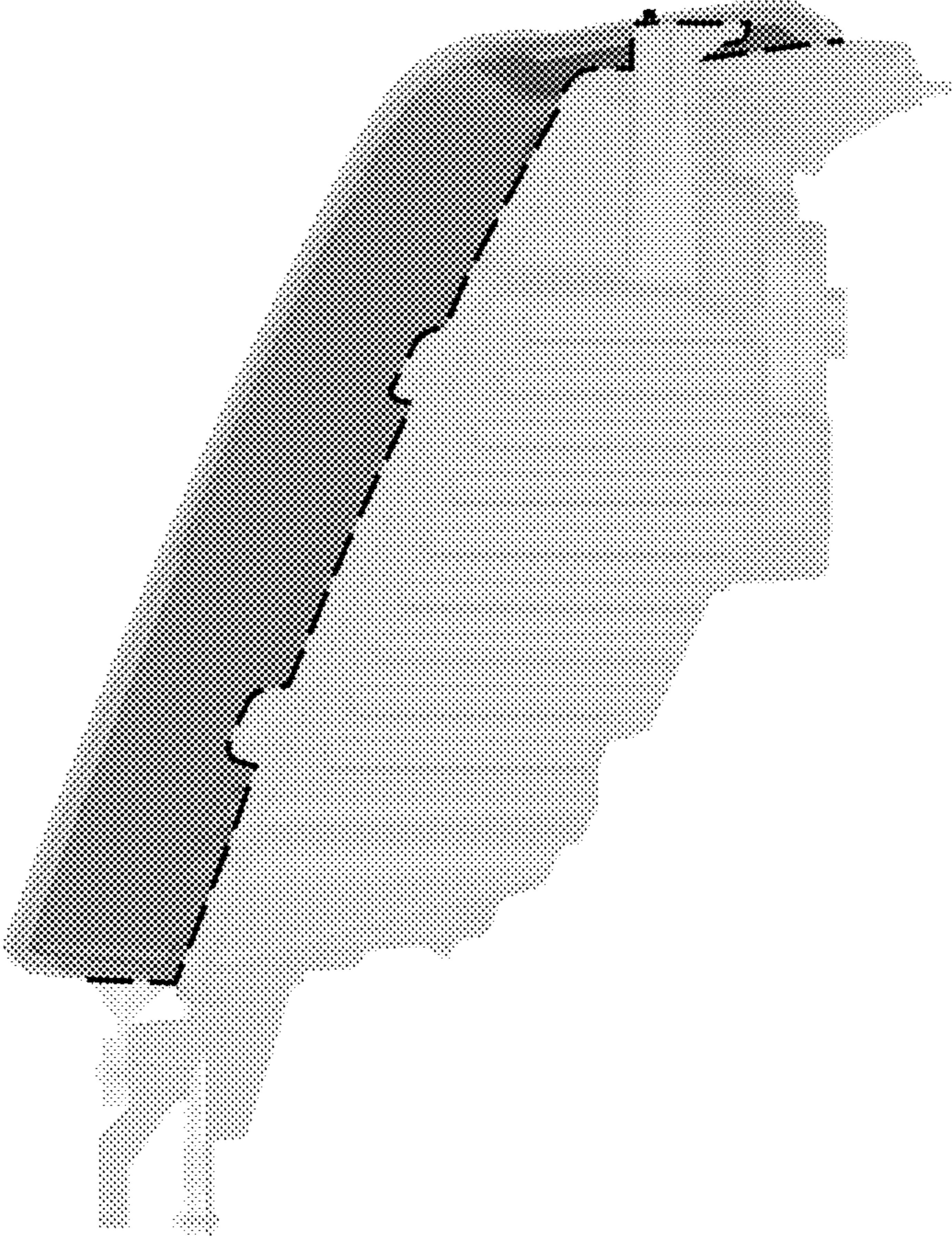


Fig.4

Fig. 5



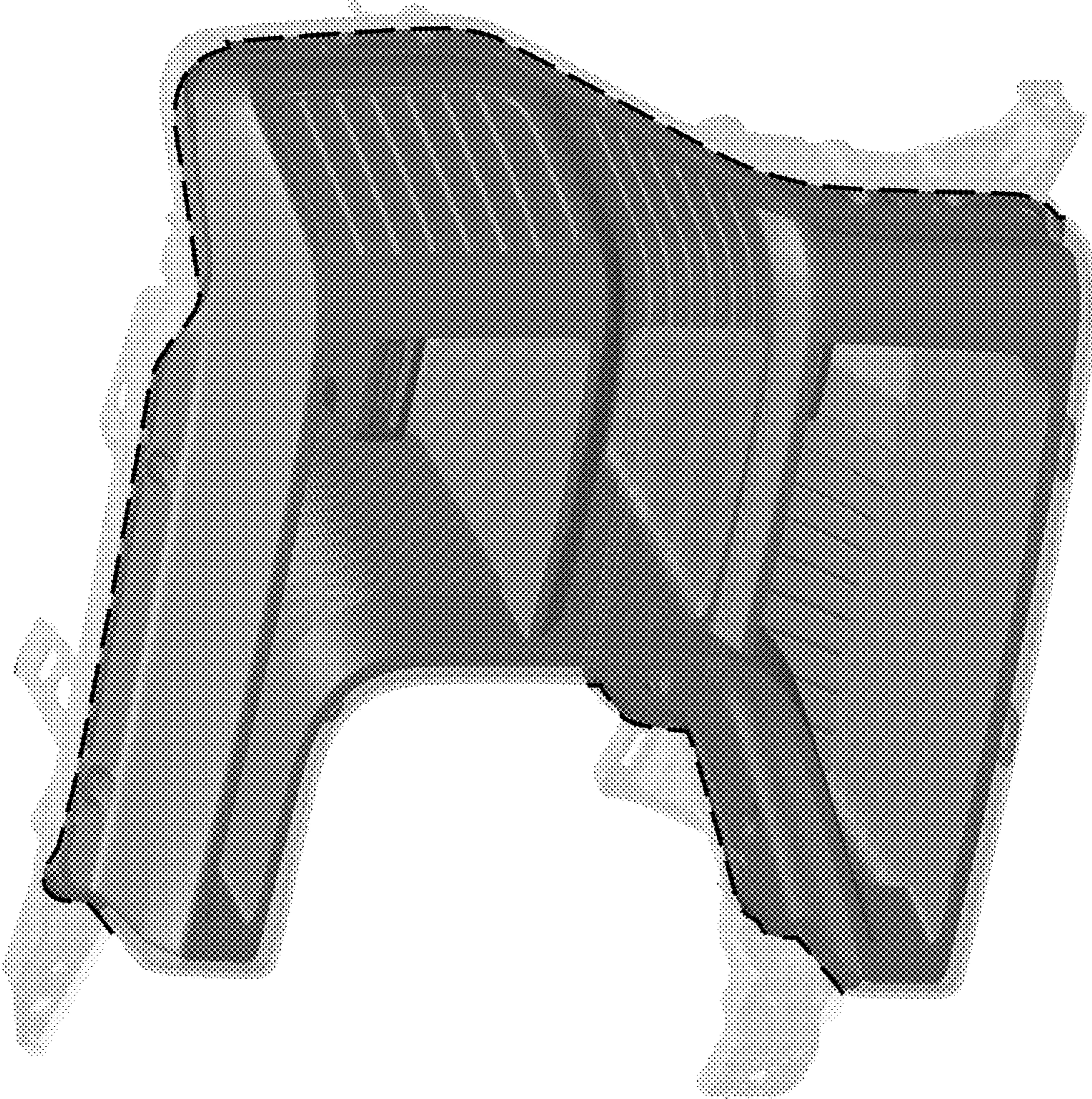


Fig.6

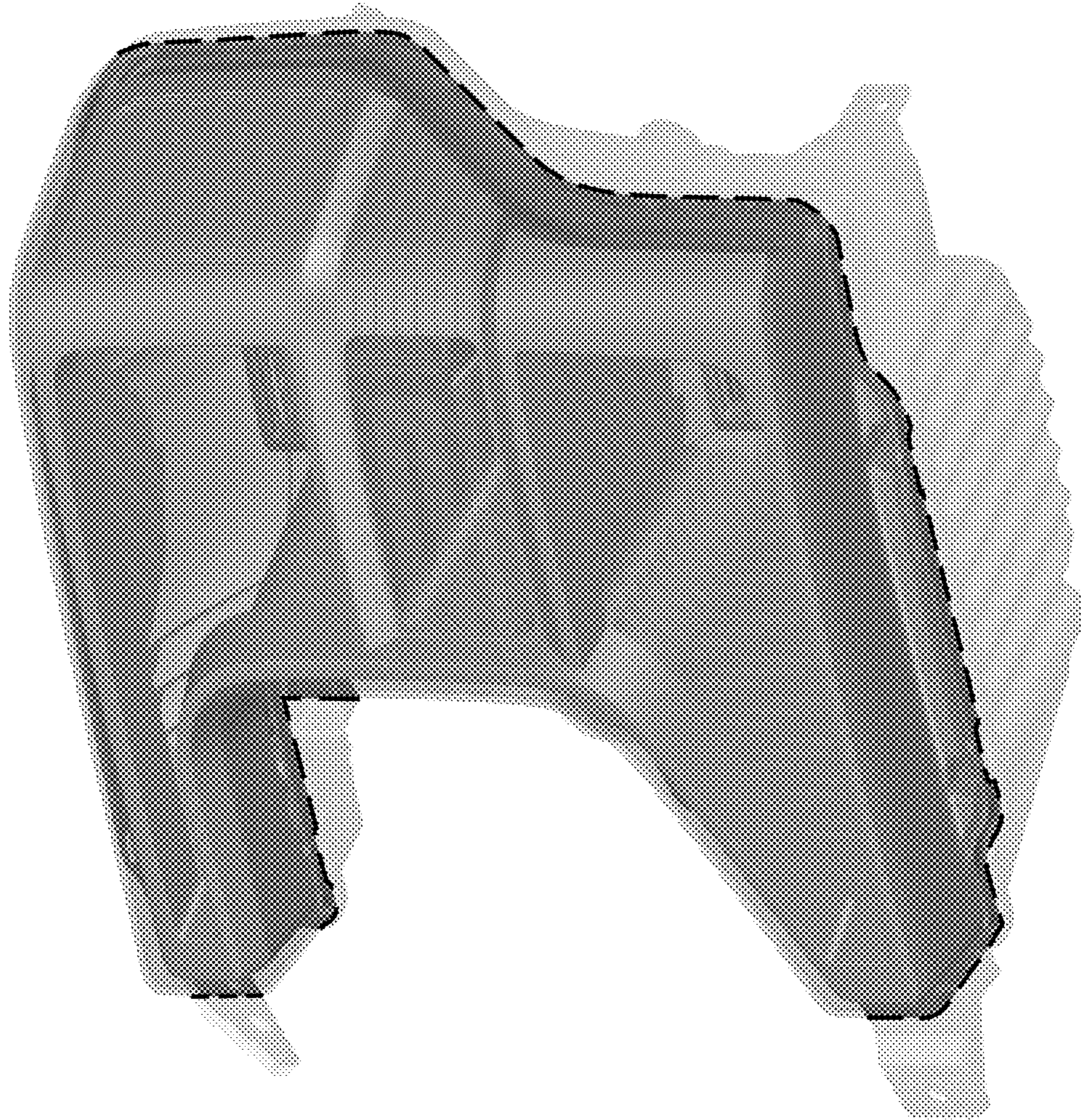


Fig. 7