



US00D903154S

(12) **United States Design Patent**
Zheng

(10) **Patent No.:** **US D903,154 S**

(45) **Date of Patent:** **** Nov. 24, 2020**

(54) **LED LIGHT**

(71) Applicant: **Kang Zheng**, Guangdong (CN)

(72) Inventor: **Kang Zheng**, Guangdong (CN)

(**) Term: **15 Years**

(21) Appl. No.: **29/675,829**

(22) Filed: **Jan. 4, 2019**

(51) **LOC (12) Cl.** **26-03**

(52) **U.S. Cl.**

USPC **D26/24**; D26/61; D26/72

(58) **Field of Classification Search**

USPC D10/111-115; D20/17; D26/10, 11, 12,
D26/24, 31, 41, 46, 51, 57, 60, 61,
D26/63-72, 92, 93, 94

CPC .. F21S 8/003; F21S 8/006; F21S 8/081; F21S
8/083; F21S 9/03; F21S 9/032; F21S
9/035; F21S 9/037; F21S 10/005; G09F
2013/0495; G09F 2013/0404; G09F
2013/02

See application file for complete search history.

(56) **References Cited**

U.S. PATENT DOCUMENTS

D538,451 S * 3/2007 Waldmann D26/24
D544,978 S * 6/2007 Jianbo D26/63

D547,895 S * 7/2007 Yifei D26/63
D548,869 S * 8/2007 Zhouli D26/63
D580,074 S * 11/2008 Taylor D11/117
D626,675 S * 11/2010 Leen D26/63
D654,207 S * 2/2012 Fletcher D26/85
D699,382 S * 2/2014 Moller D26/63
D866,838 S * 11/2019 Weishaupt D26/63

* cited by examiner

Primary Examiner — Kevin K Rudzinski

Assistant Examiner — Richard Kearney

(74) *Attorney, Agent, or Firm* — HYIP

(57) **CLAIM**

The ornamental design for an LED light, as shown and described.

DESCRIPTION

FIG. 1 is a perspective view of an LED light showing my new design;

FIG. 2 is a front elevational view thereof;

FIG. 3 is a rear elevational view thereof;

FIG. 4 is a left side elevational view thereof;

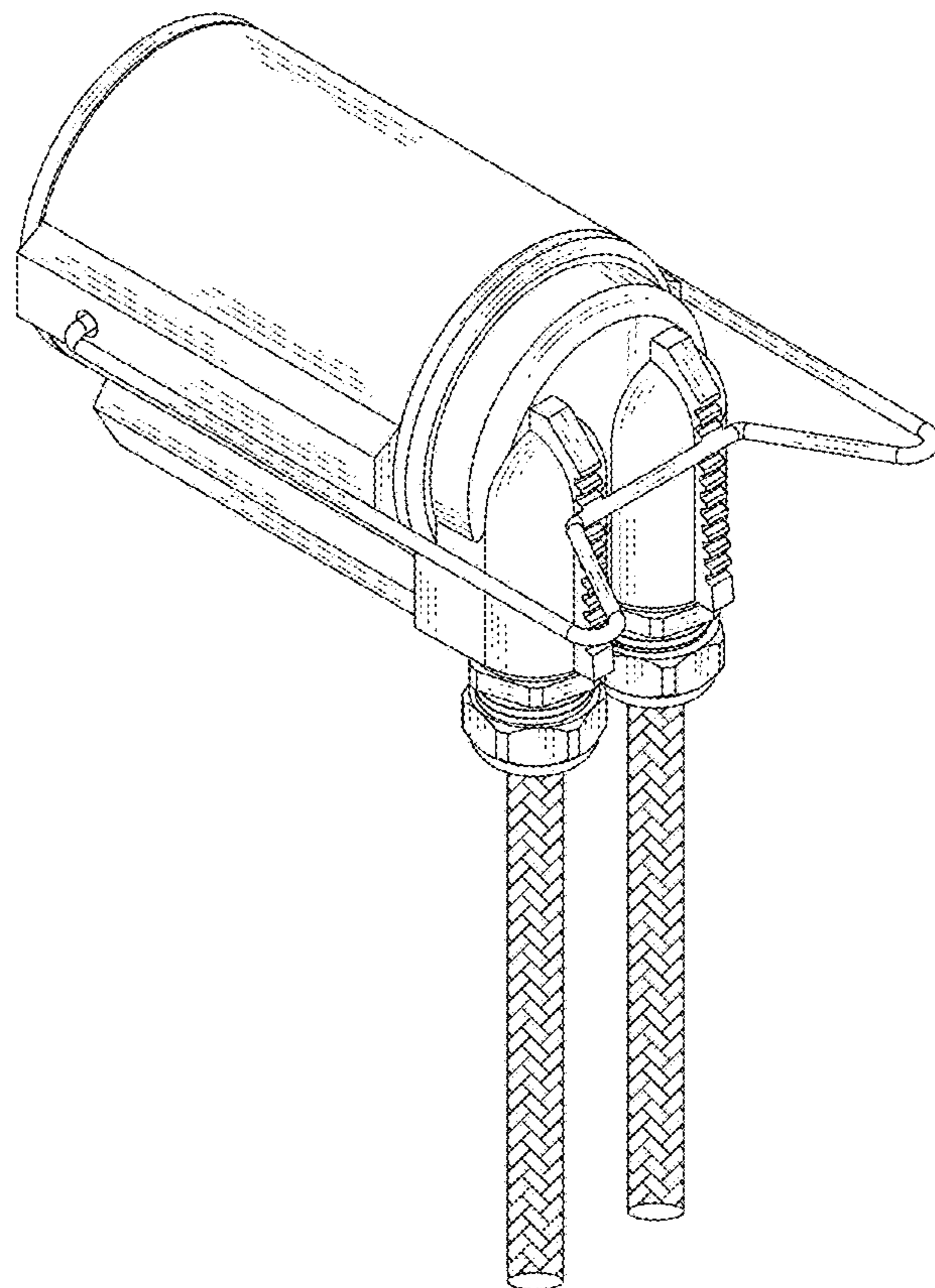
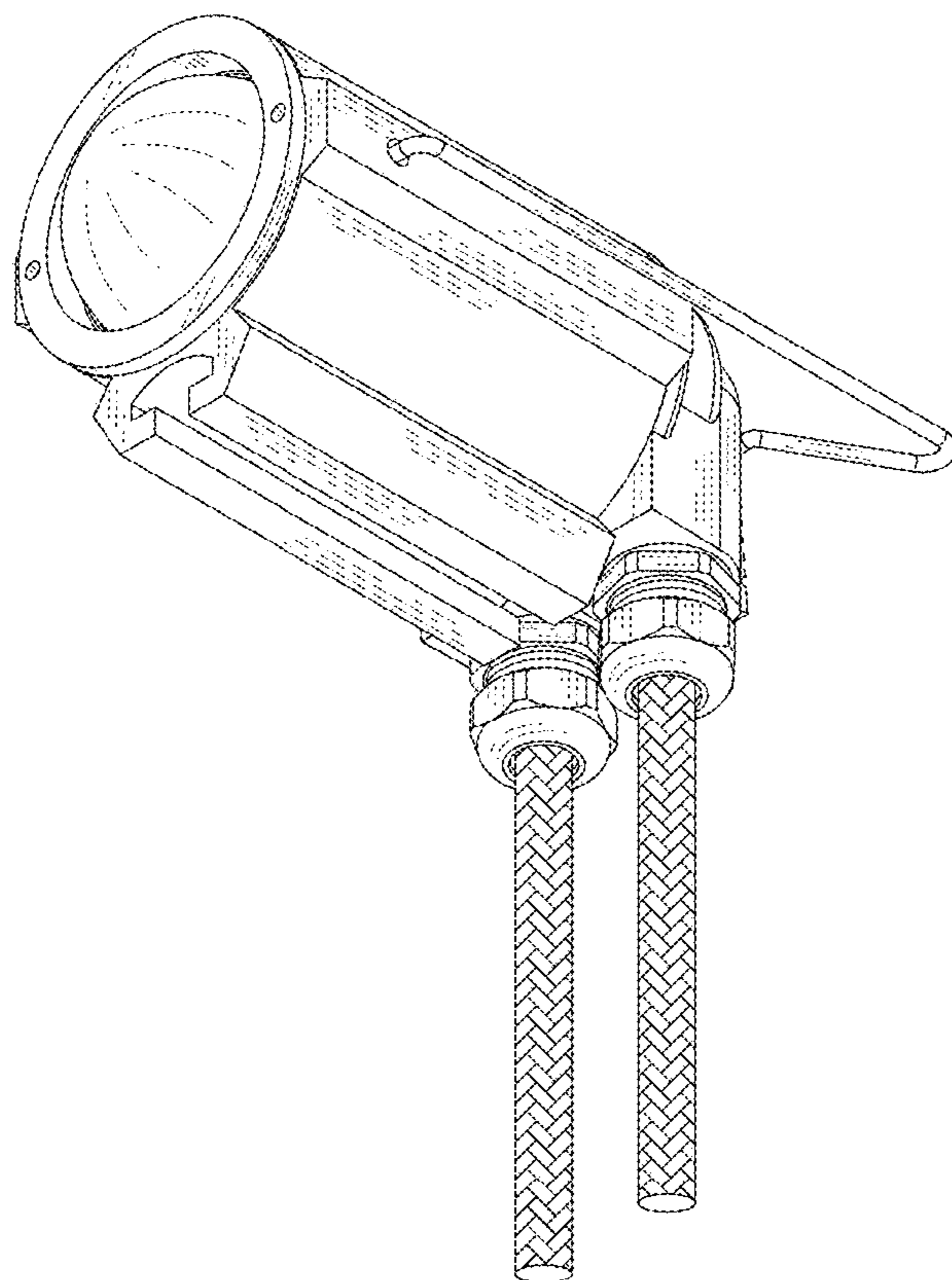
FIG. 5 is a right side elevational view thereof;

FIG. 6 is a top plan view thereof;

FIG. 7 is a bottom plan view thereof; and,

FIG. 8 is another perspective view thereof.

1 Claim, 8 Drawing Sheets



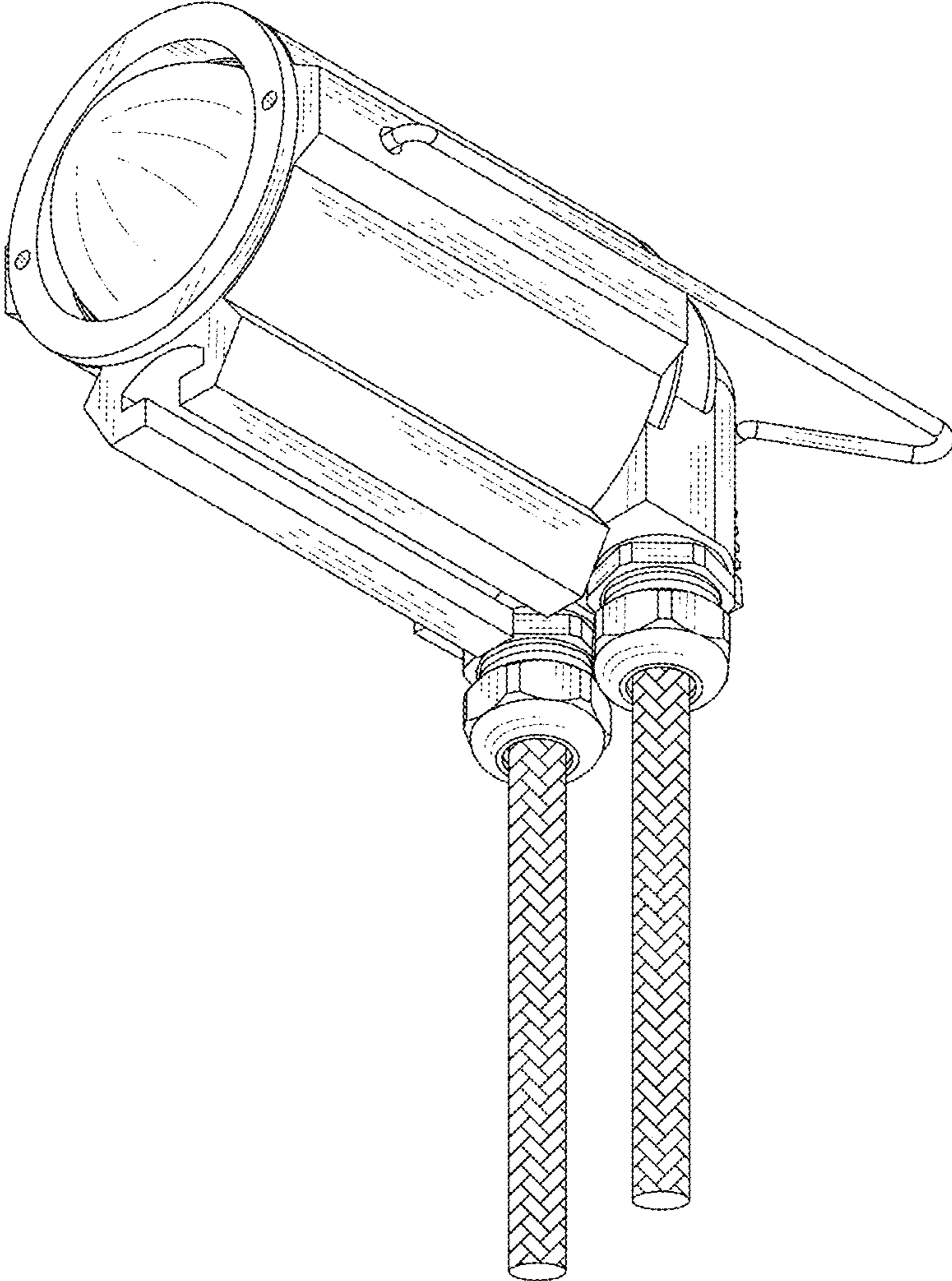


FIG.1

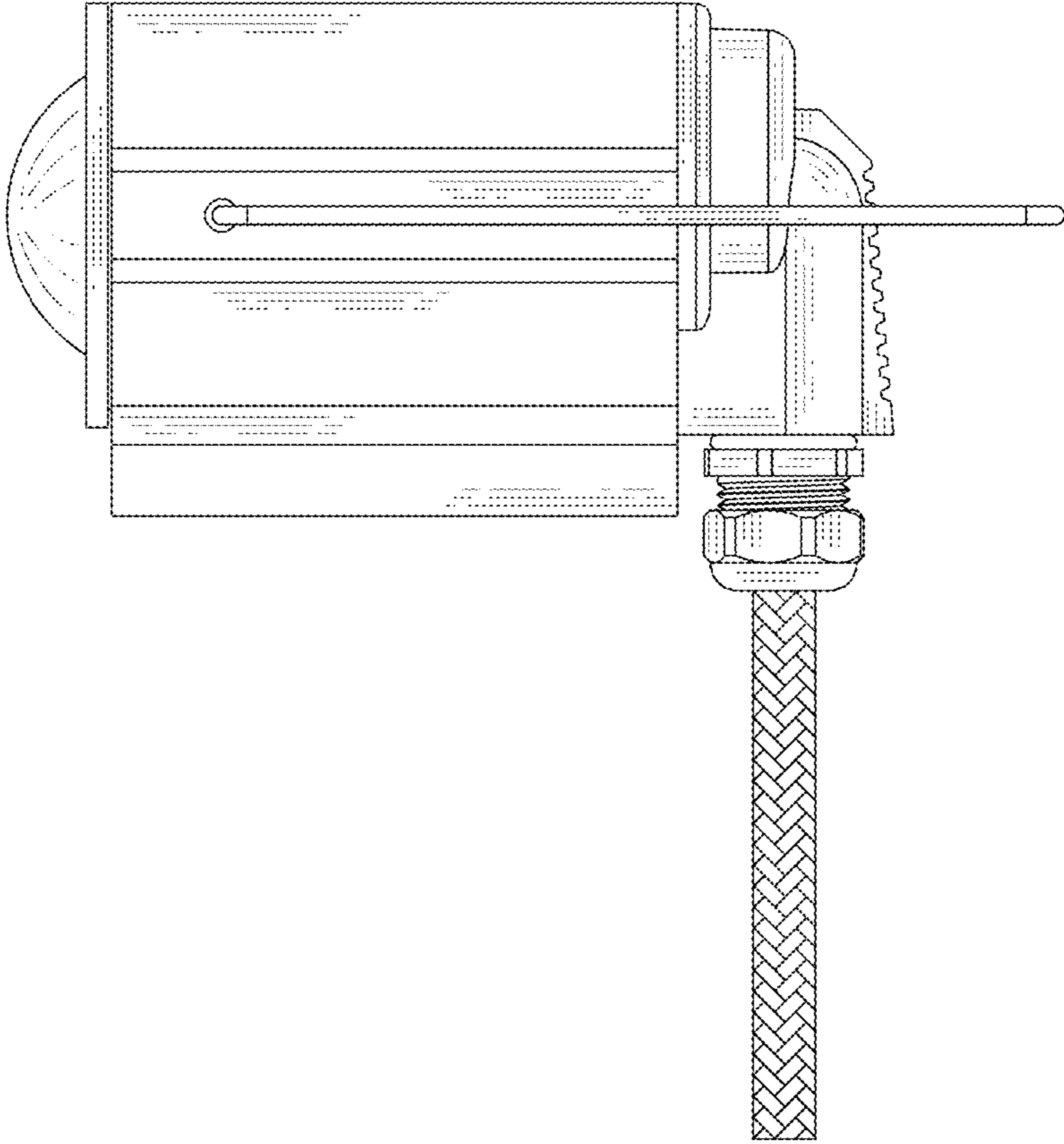


FIG.2

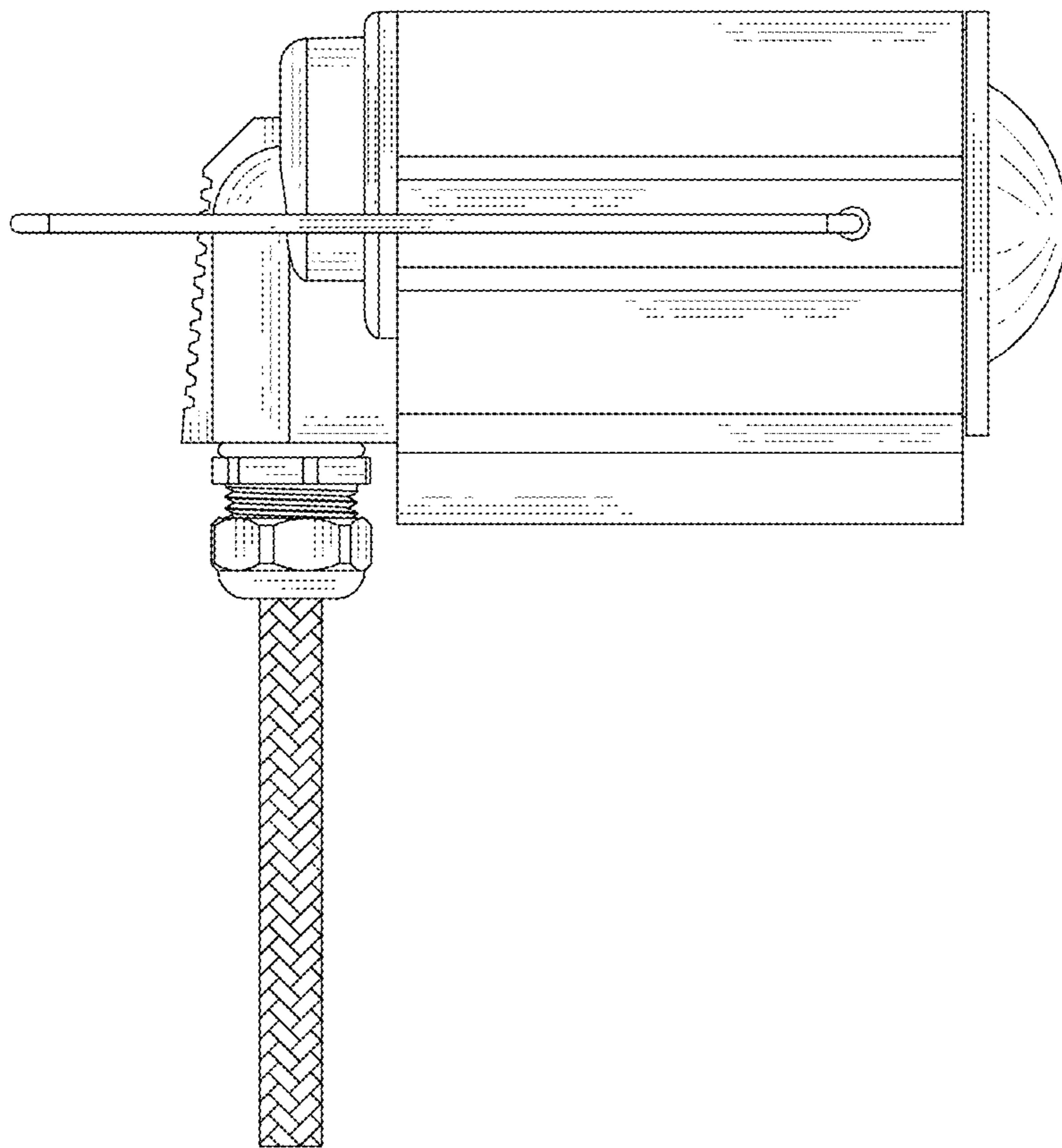


FIG.3

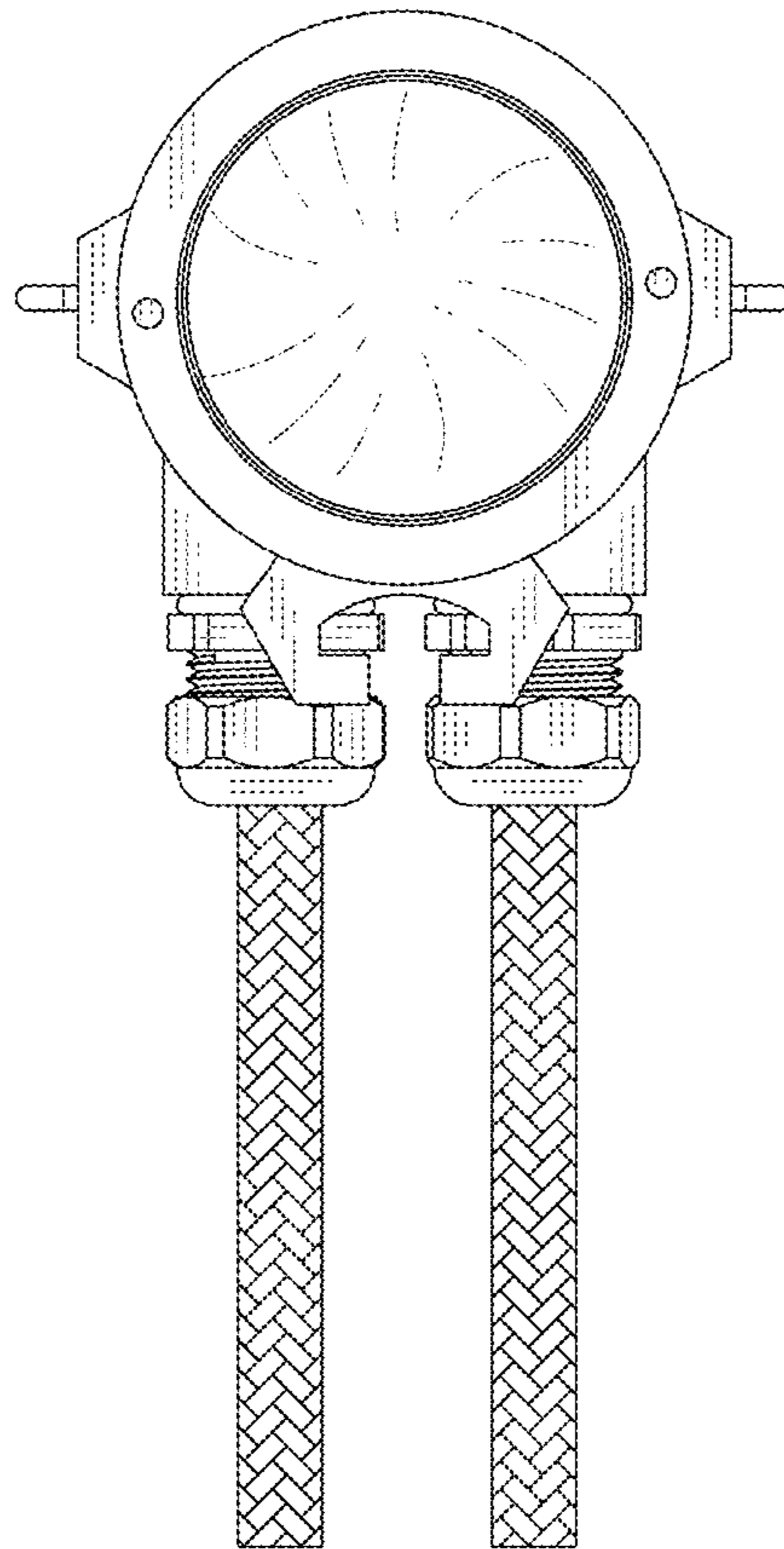


FIG.4

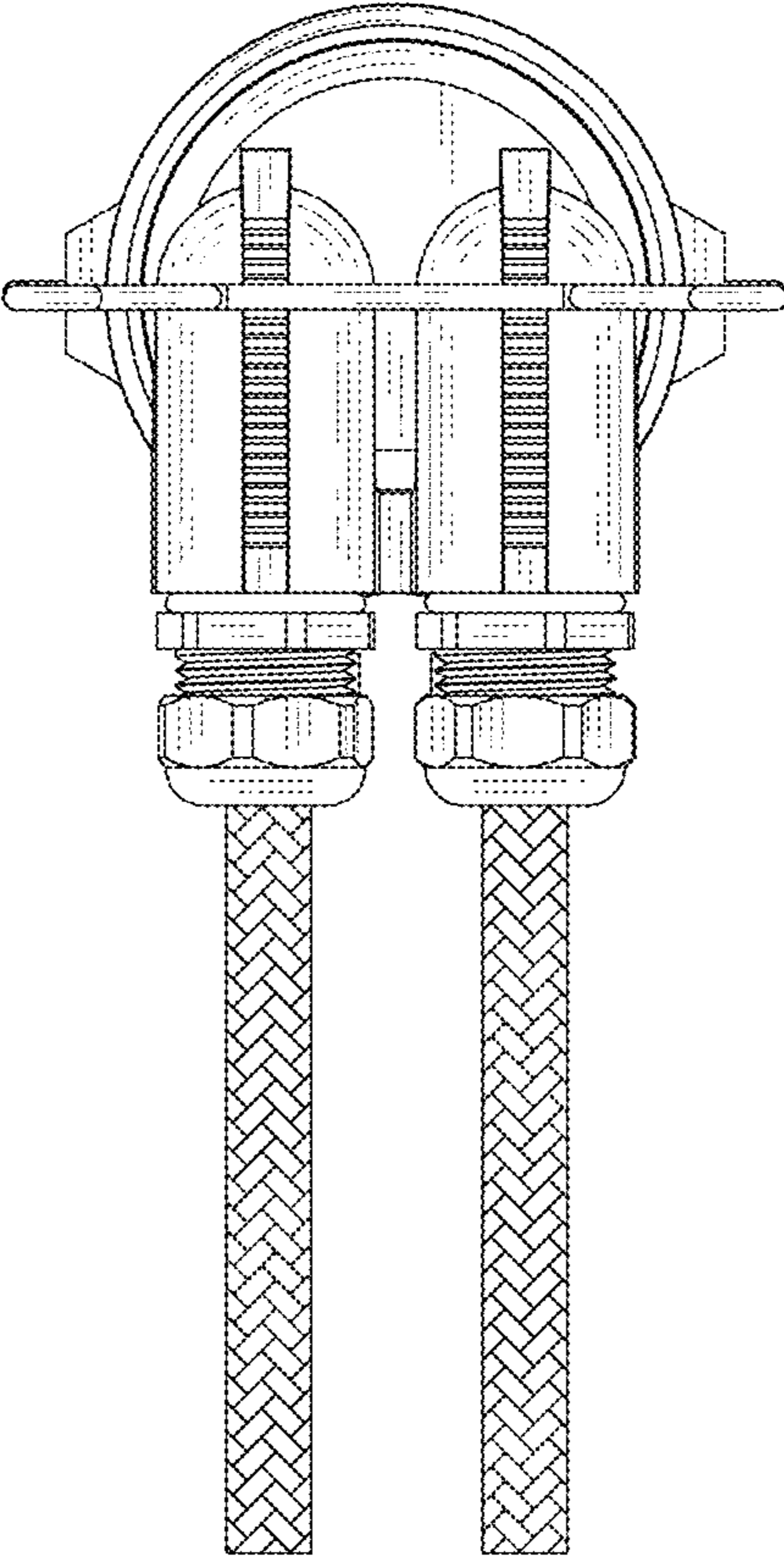


FIG.5

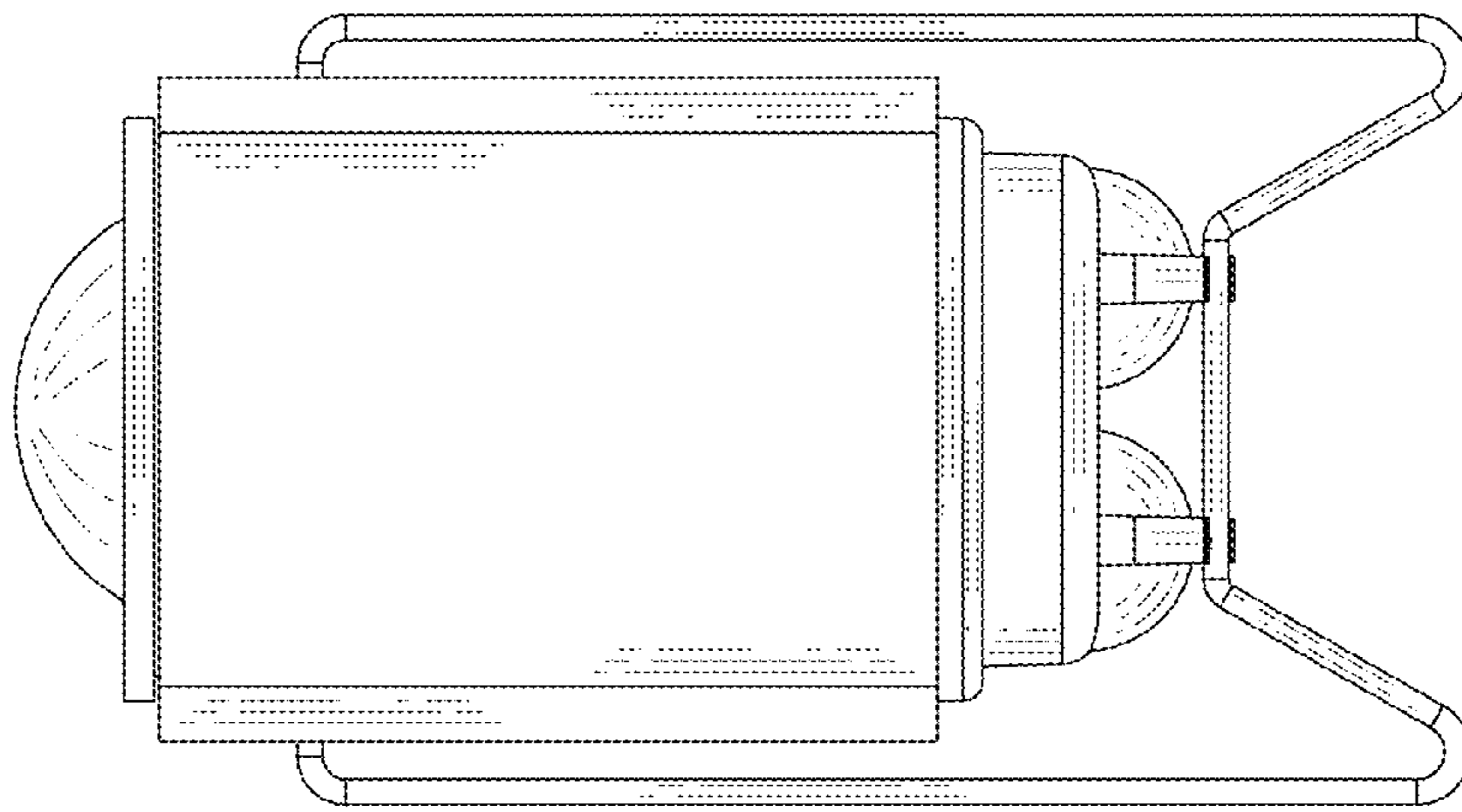


FIG.6

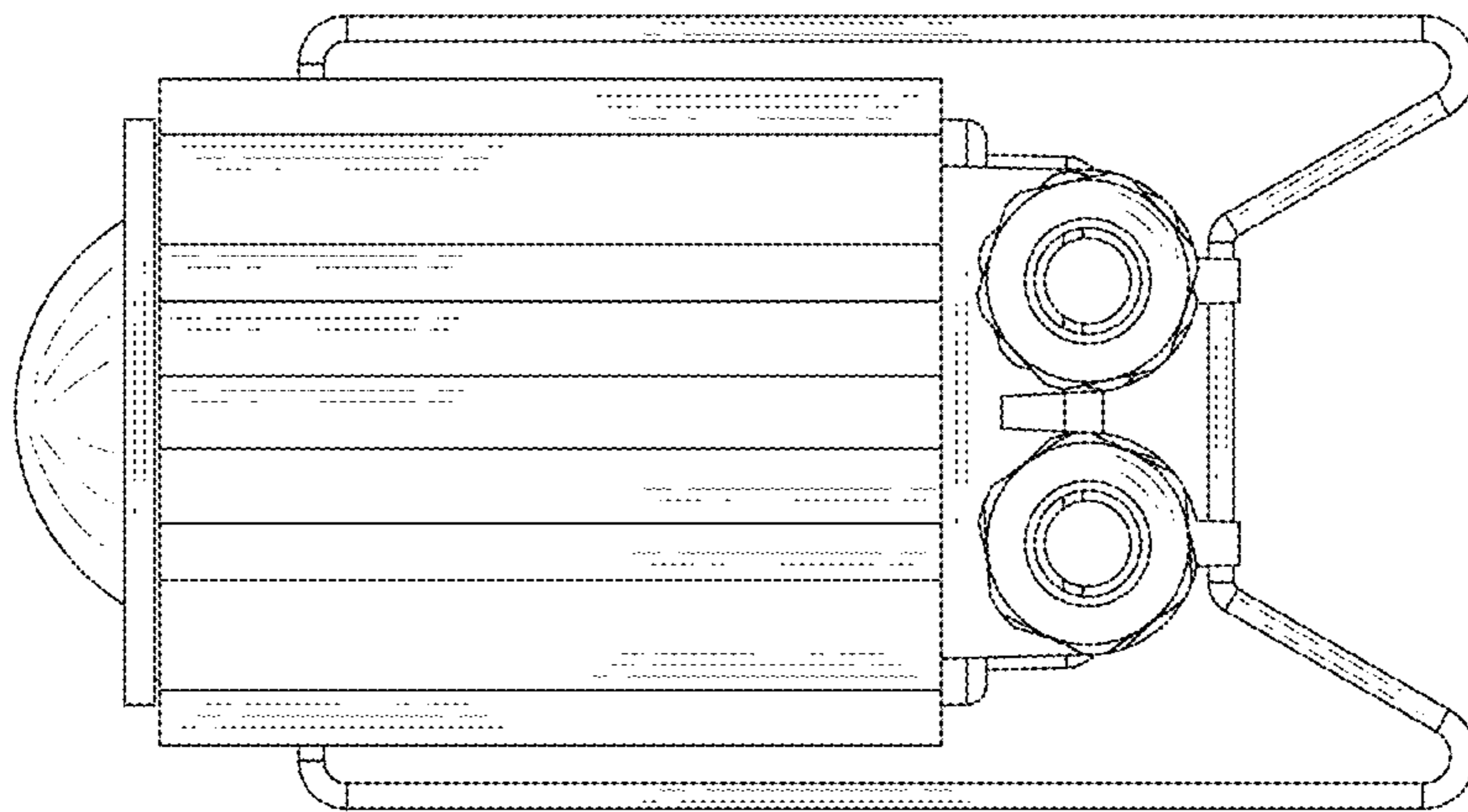


FIG.7

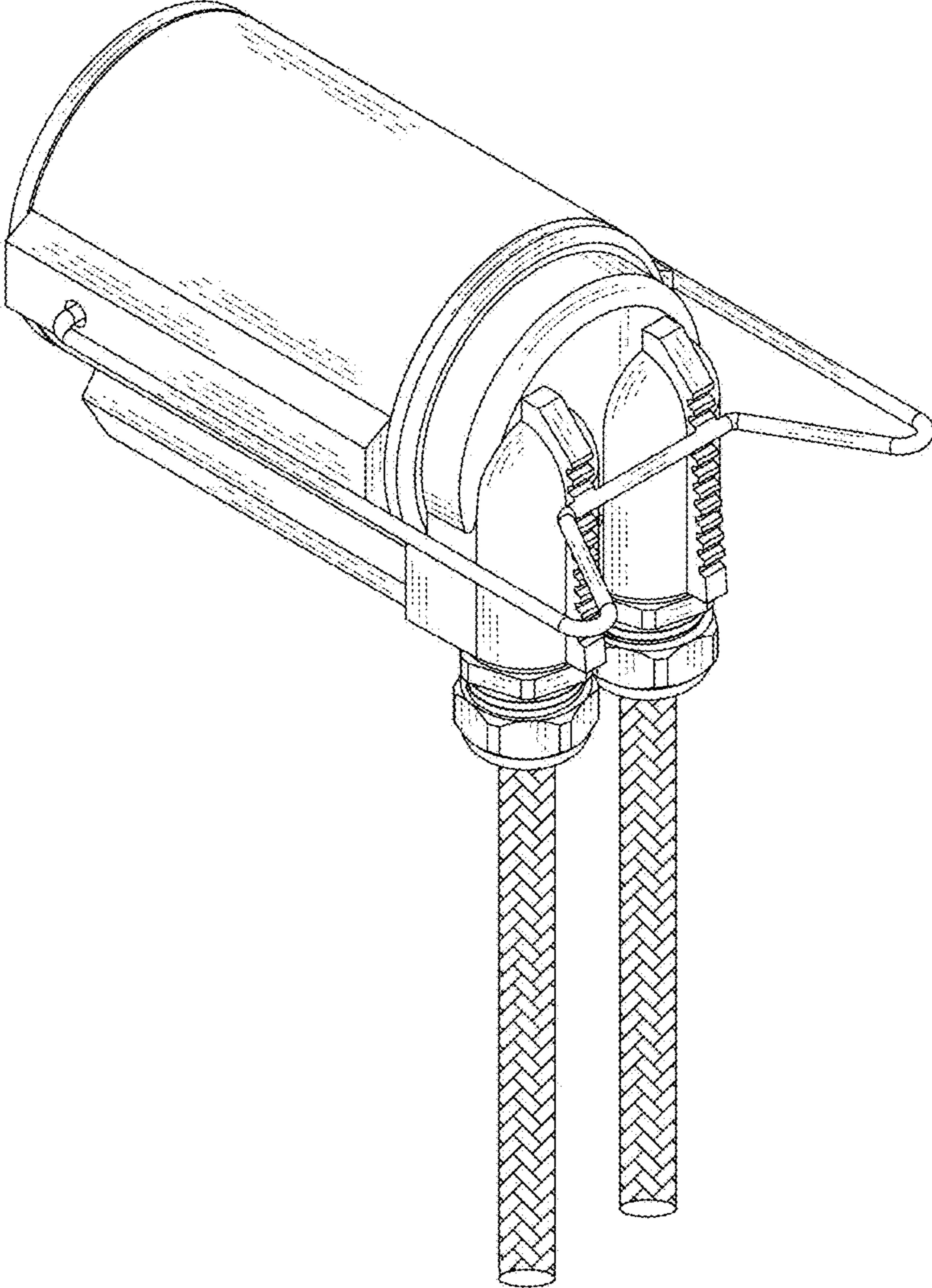


FIG.8