



US00D903146S

(12) **United States Design Patent** (10) **Patent No.:** **US D903,146 S**
Baltz, Jr. et al. (45) **Date of Patent:** **** *Nov. 24, 2020**

(54) **VENTILATION SCREED DEVICE**
(71) Applicant: **Alabama Metal Industries Corporation**, Birmingham, AL (US)
(72) Inventors: **Gary George Baltz, Jr.**, Mountain Brook, AL (US); **Frederic C. Mayer, Jr.**, Hoover, AL (US)
(73) Assignee: **ALABAMA METAL INDUSTRIES CORPORATION**

D364,233 S * 11/1995 Caley D25/119
D393,164 S * 4/1998 Russell D25/119
5,836,135 A * 11/1998 Hagan E04F 19/02
52/836
D454,962 S * 3/2002 Grace D25/119
6,385,932 B1 * 5/2002 Melchiori E04F 13/06
52/302.3
D471,991 S * 3/2003 Maylon D25/119
6,574,936 B1 * 6/2003 Anderson, Sr. B44C 1/28
52/100
D477,420 S * 7/2003 Butcher D25/119
(Continued)

(*) Notice: This patent is subject to a terminal disclaimer.
(**) Term: **15 Years**
(21) Appl. No.: **29/703,355**
(22) Filed: **Aug. 27, 2019**

Primary Examiner — Llorelys Martinez
(74) *Attorney, Agent, or Firm* — Jennifer Meredith, Esq.; Lippes Mathias Wexler Friedman, LLP

Related U.S. Application Data

(63) Continuation of application No. 16/194,775, filed on Nov. 19, 2018, now Pat. No. 10,533,324.
(51) **LOC (12) Cl.** **25-01**
(52) **U.S. Cl.**
USPC **D25/102**; D25/154
(58) **Field of Classification Search**
USPC D25/102, 119–123, 164, 199; D23/259, D23/267, 268
CPC E04F 19/02; E04F 19/04; E04F 2019/044; E04F 2019/0445; E04F 13/00; E04F 13/007; E04B 1/70; E04B 1/7038; E04B 1/7069; E04B 1/7076; E04D 13/00; E04D 13/0445; E04D 13/0459; E04D 13/0481
See application file for complete search history.

(57) **CLAIM**

The ornamental design for a ventilation screed device, as shown and described.

DESCRIPTION

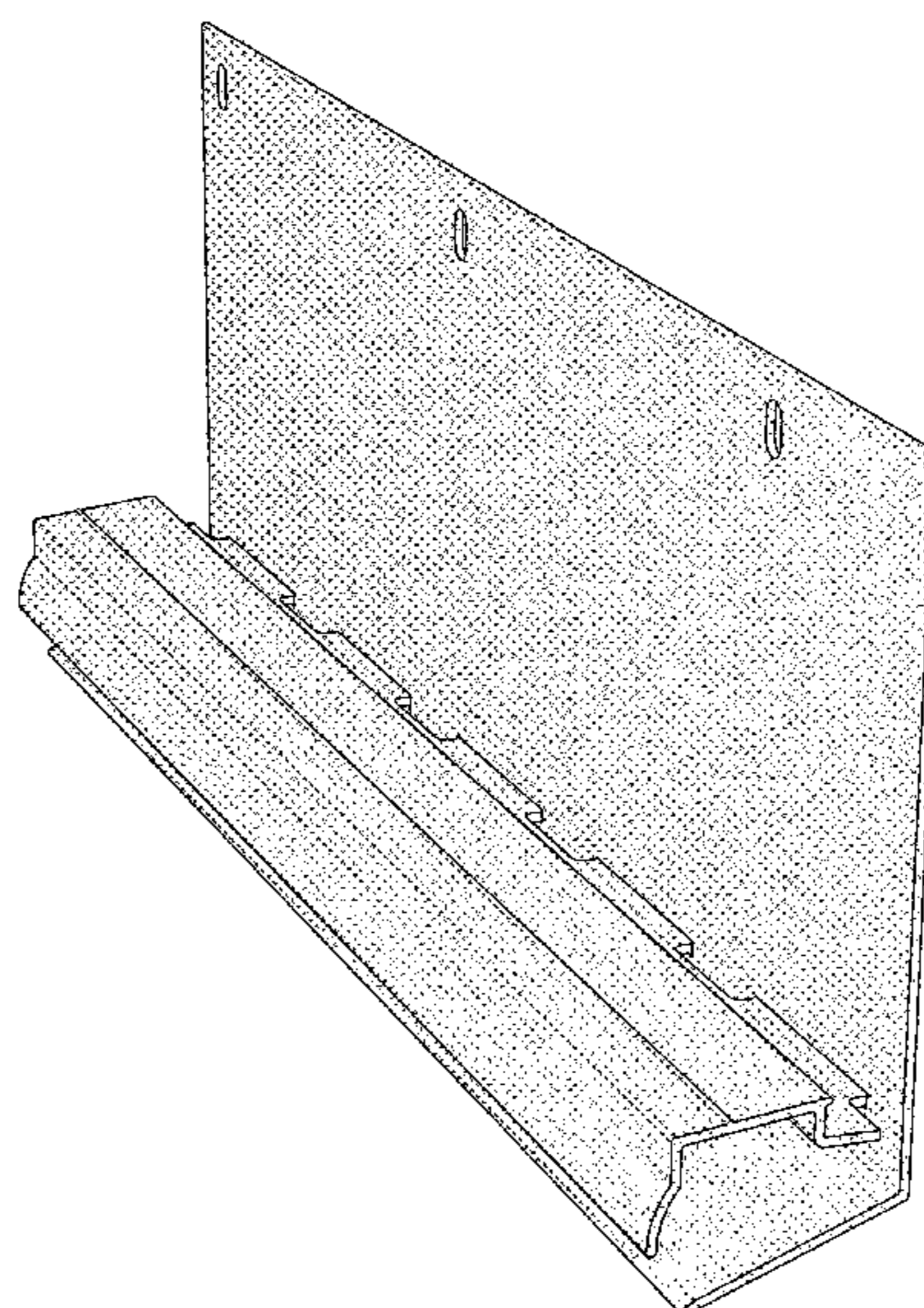
FIG. 1 is a top and front perspective view of a ventilation screed device showing our new design;
FIG. 2 is a bottom and back perspective view of the ventilation screed device;
FIG. 3 is a front view of the ventilation screed device;
FIG. 4 is a back view of the ventilation screed device;
FIG. 5 is a side view of the ventilation screed device;
FIG. 6 is an opposite side view of the ventilation screed device;
FIG. 7 is a top view of the ventilation screed device;
FIG. 8 is a bottom view of the ventilation screed device;
FIG. 9 is another side view of the ventilation screed device;
FIG. 10 is a cross-sectional view of the ventilation screed device, taken along lines 10-10 in FIG. 9;
FIG. 11 is another side view of the ventilation screed device; and,
FIG. 12 is a detailed view taken from the encircled portion 12 in FIG. 11.

(56) **References Cited**

U.S. PATENT DOCUMENTS

D345,268 S * 3/1994 Pate D25/119
D352,362 S * 11/1994 Anderson D25/136

1 Claim, 12 Drawing Sheets



(56)

References Cited

U.S. PATENT DOCUMENTS

D481,804 S * 11/2003 Pelfrey D25/119
D551,781 S * 9/2007 Abdullah D25/123
7,634,883 B1 * 12/2009 Larson E04F 13/06
52/393
D679,417 S * 4/2013 Nolan D25/119
D703,306 S * 4/2014 Little D23/393
D703,307 S * 4/2014 Little D23/393
10,196,812 B1 * 2/2019 Duffy E04F 13/007
10,533,324 B2 * 1/2020 Baltz, Jr. E04F 19/04
2002/0032999 A1 * 3/2002 Ito E04F 19/02
52/474
2005/0115189 A1 * 6/2005 Leffler E04F 13/00
52/716.1
2009/0183453 A1 * 7/2009 Koessler E04F 13/007
52/302.3
2012/0174495 A1 * 7/2012 Nolan E04F 19/02
52/58
2017/0254091 A1 * 9/2017 Friel E04B 1/70
2019/0161960 A1 * 5/2019 Baltz, Jr. E04B 1/7076
2019/0194954 A1 * 6/2019 Baltz, Jr. E04B 1/7038
2019/0292791 A1 * 9/2019 Friel E04B 1/70
2020/0063432 A1 * 2/2020 Baltz, Jr. E04B 1/7076
2020/0063446 A1 * 2/2020 Baltz, Jr. E04B 1/7076
2020/0157798 A1 * 5/2020 Baltz, Jr. E04F 19/02

* cited by examiner

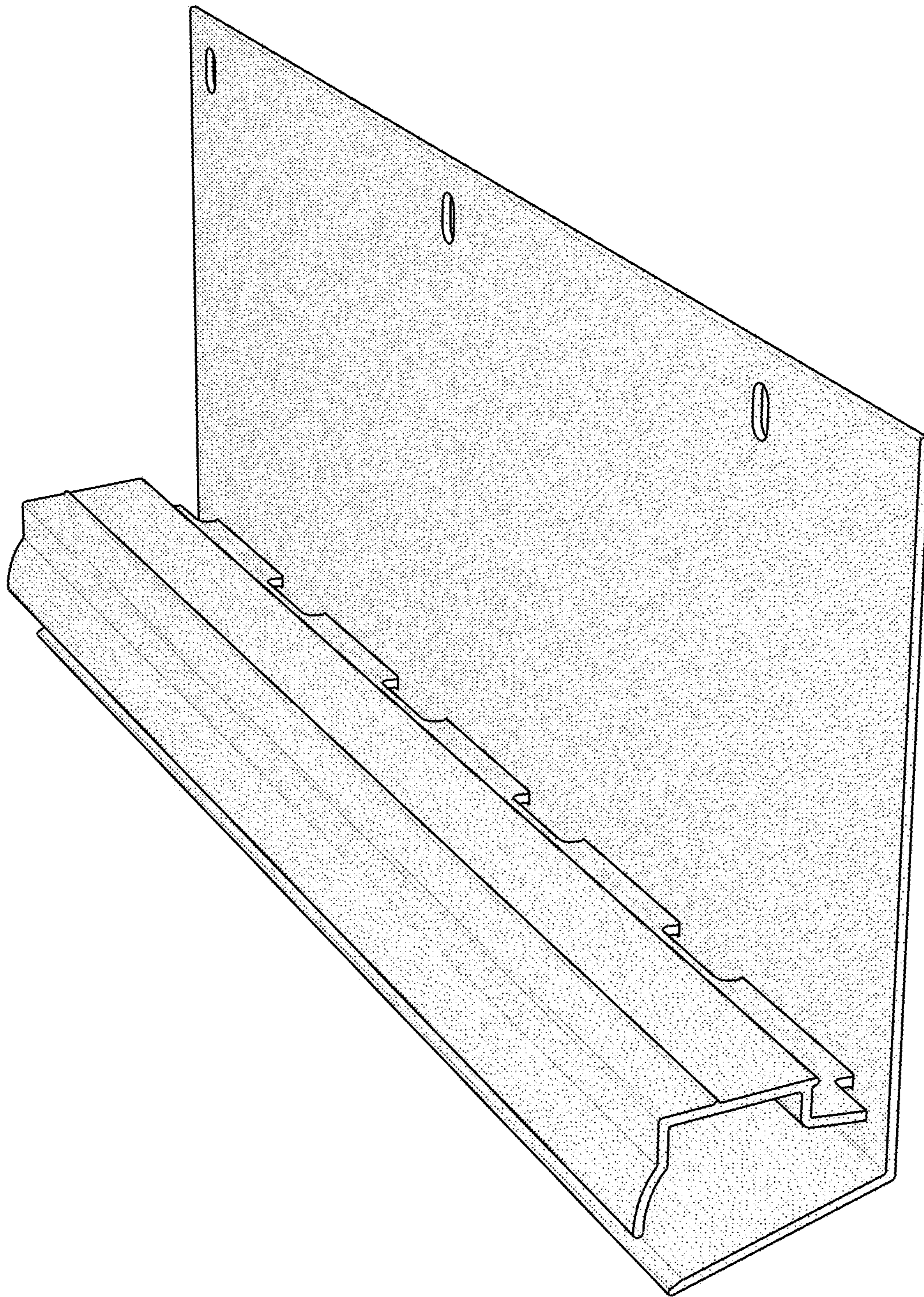


FIG.1

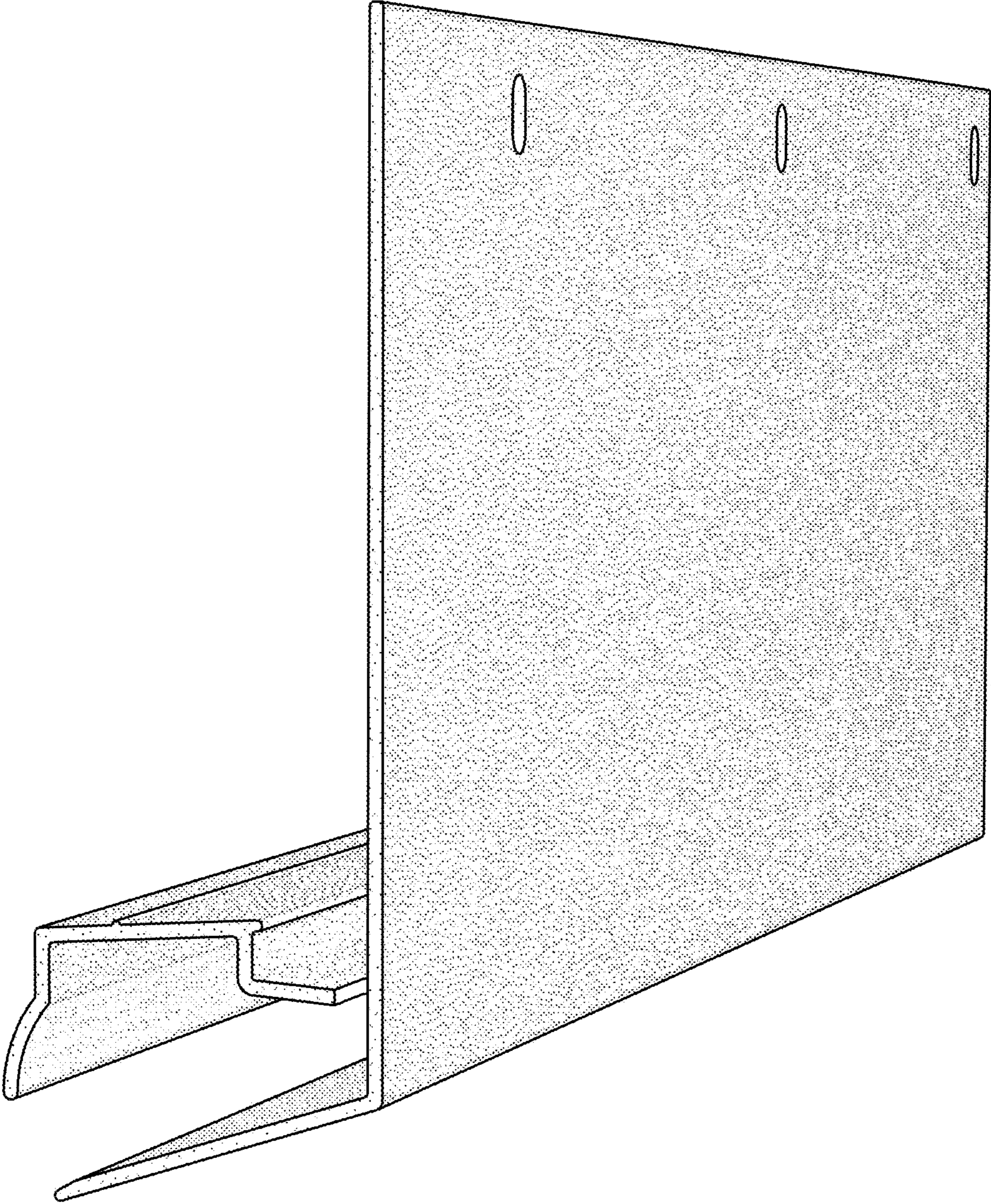


FIG.2

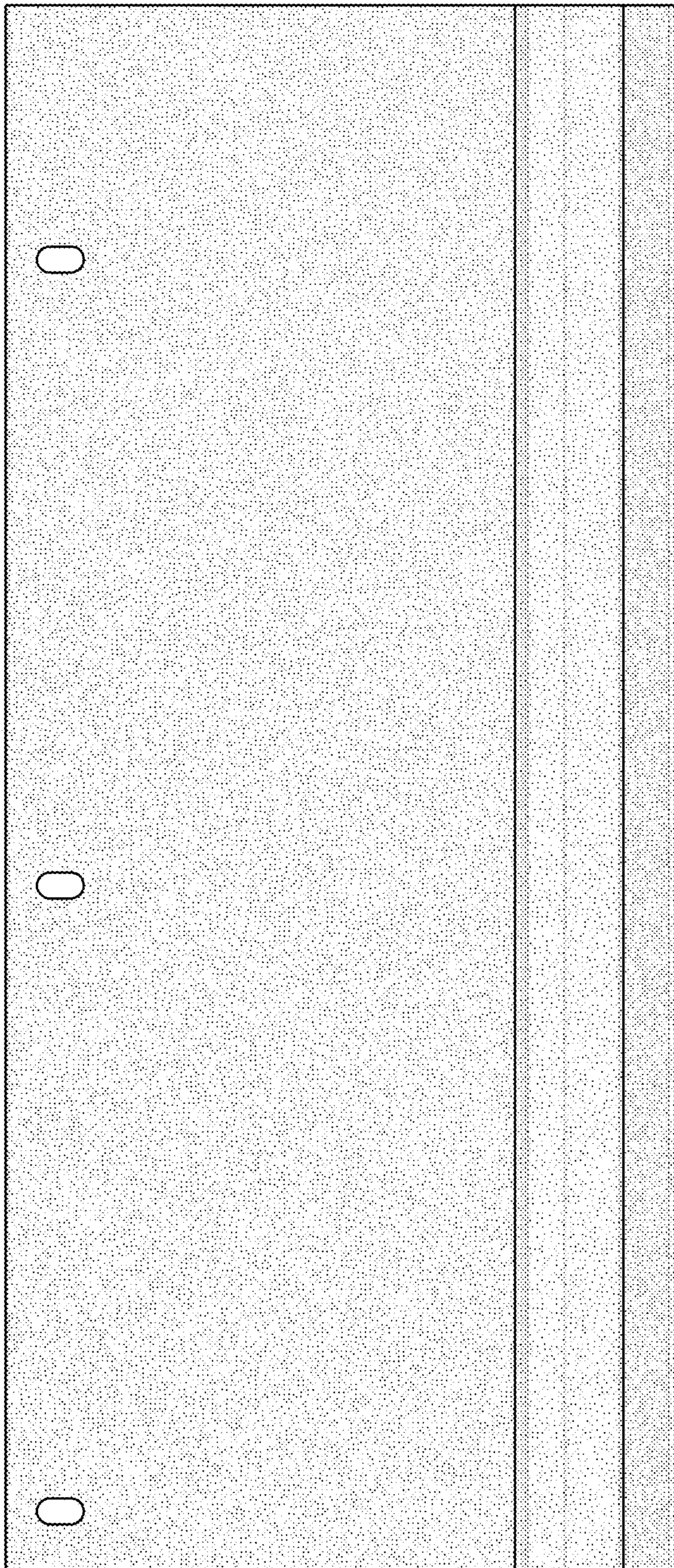


FIG.3

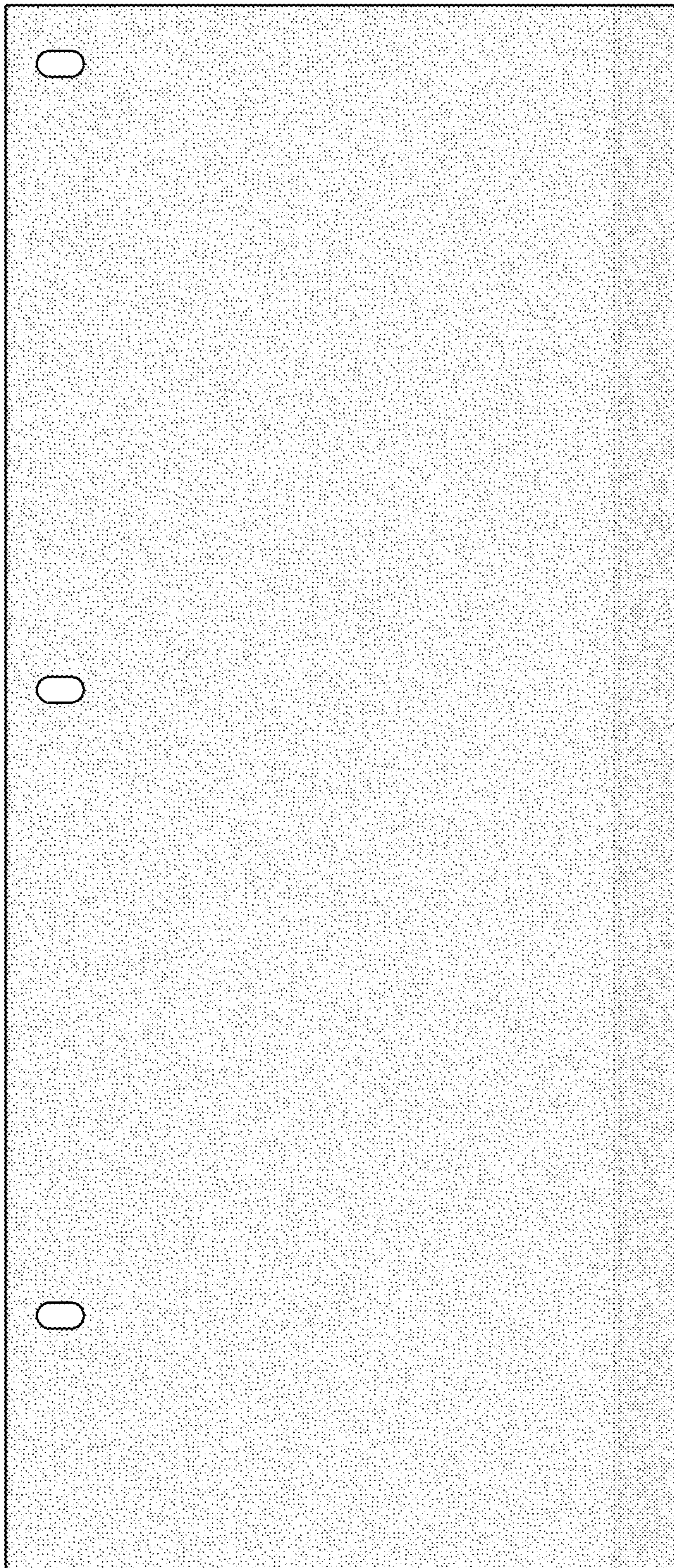


FIG.4

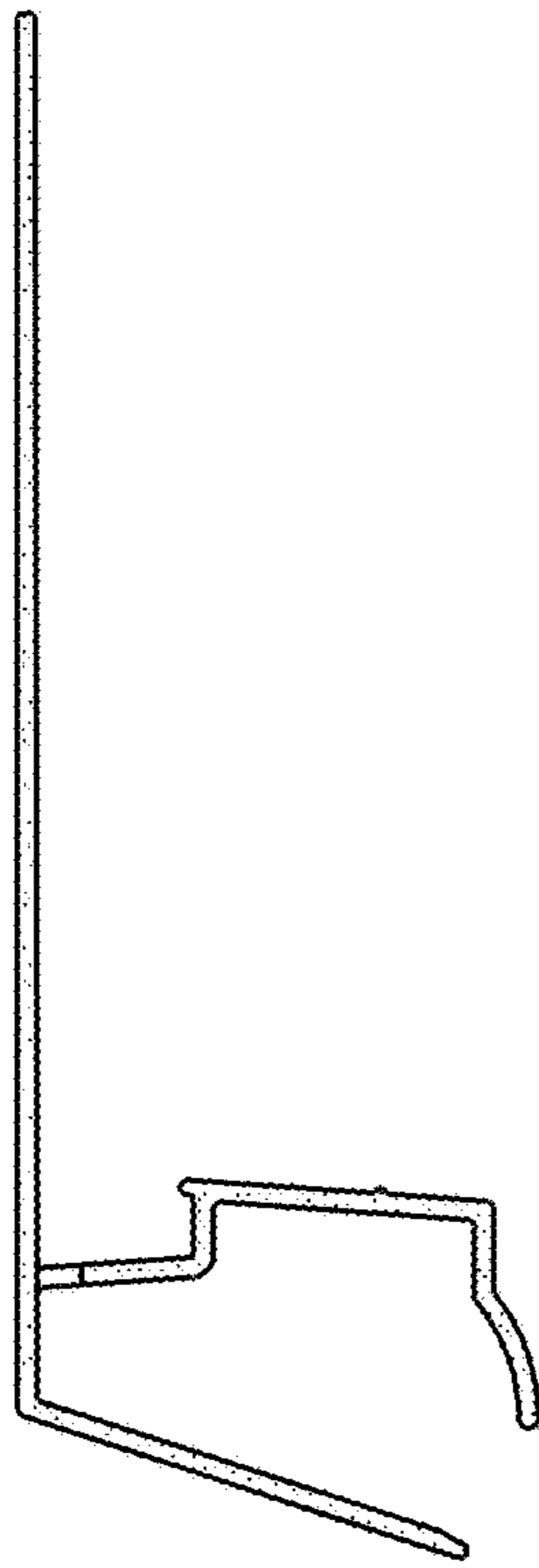


FIG.5

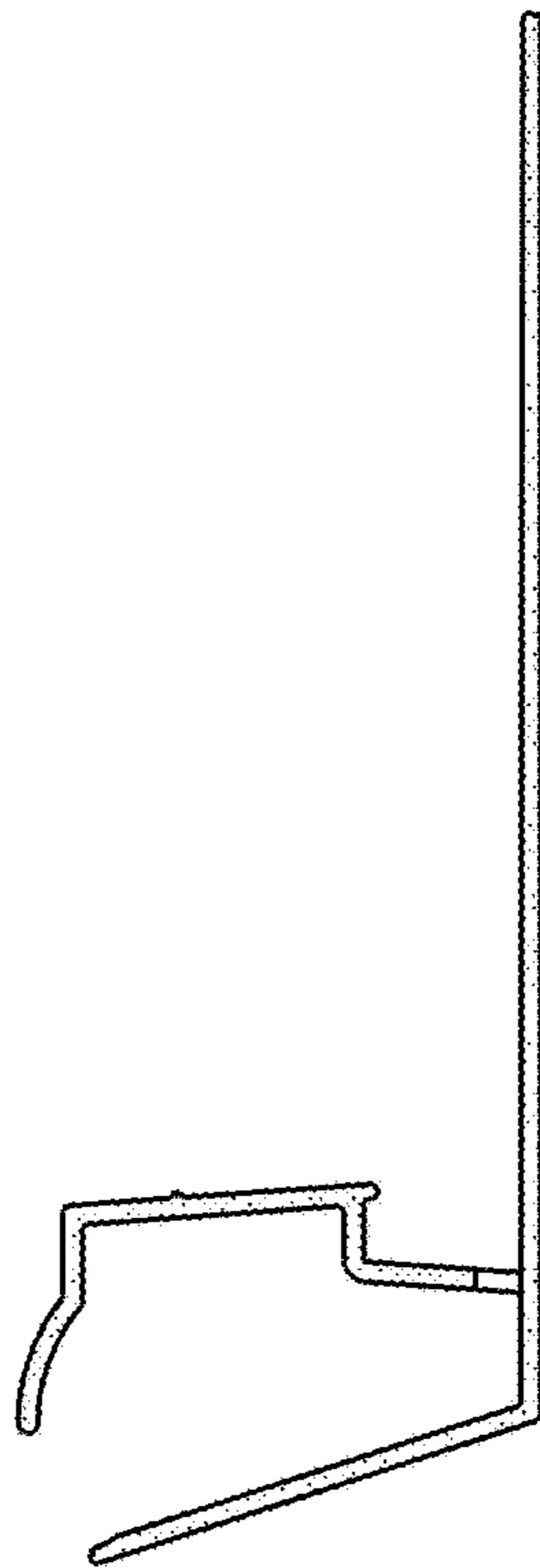


FIG.6

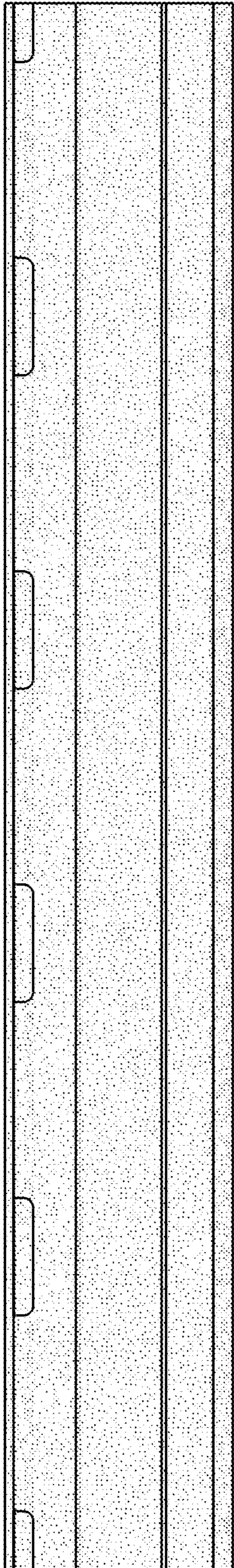


FIG.7

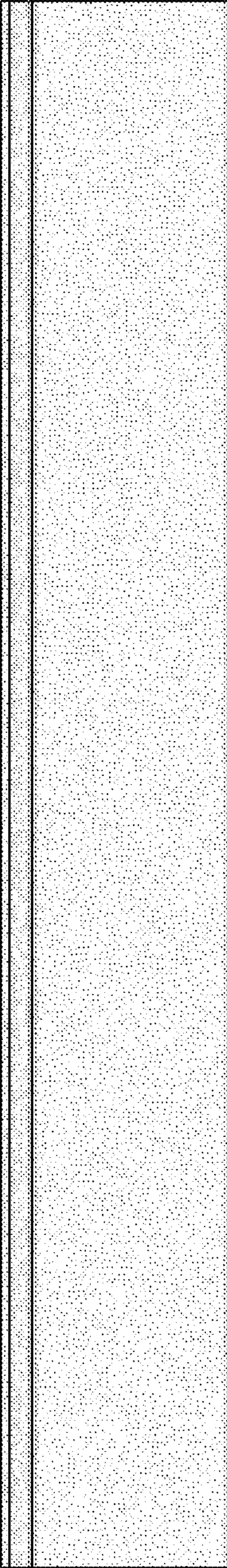


FIG.8

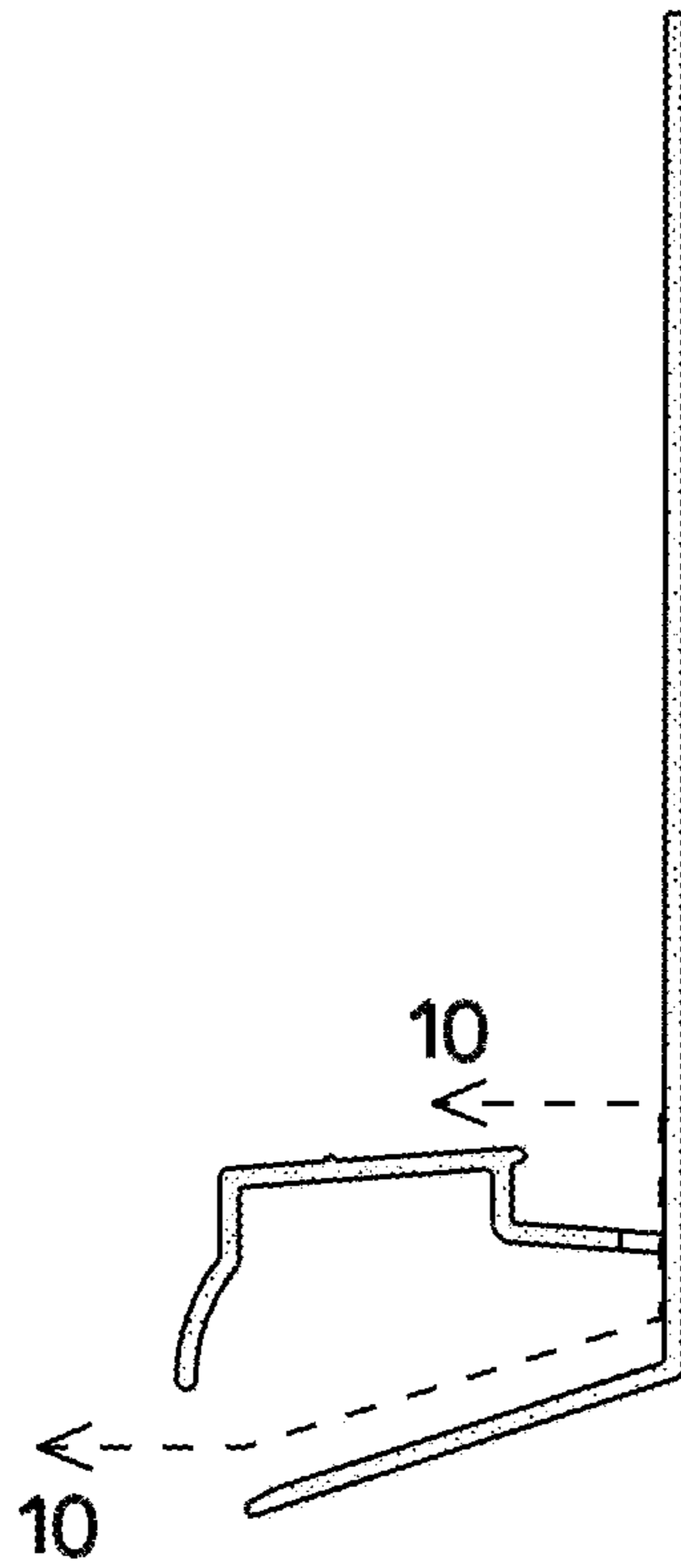


FIG.9

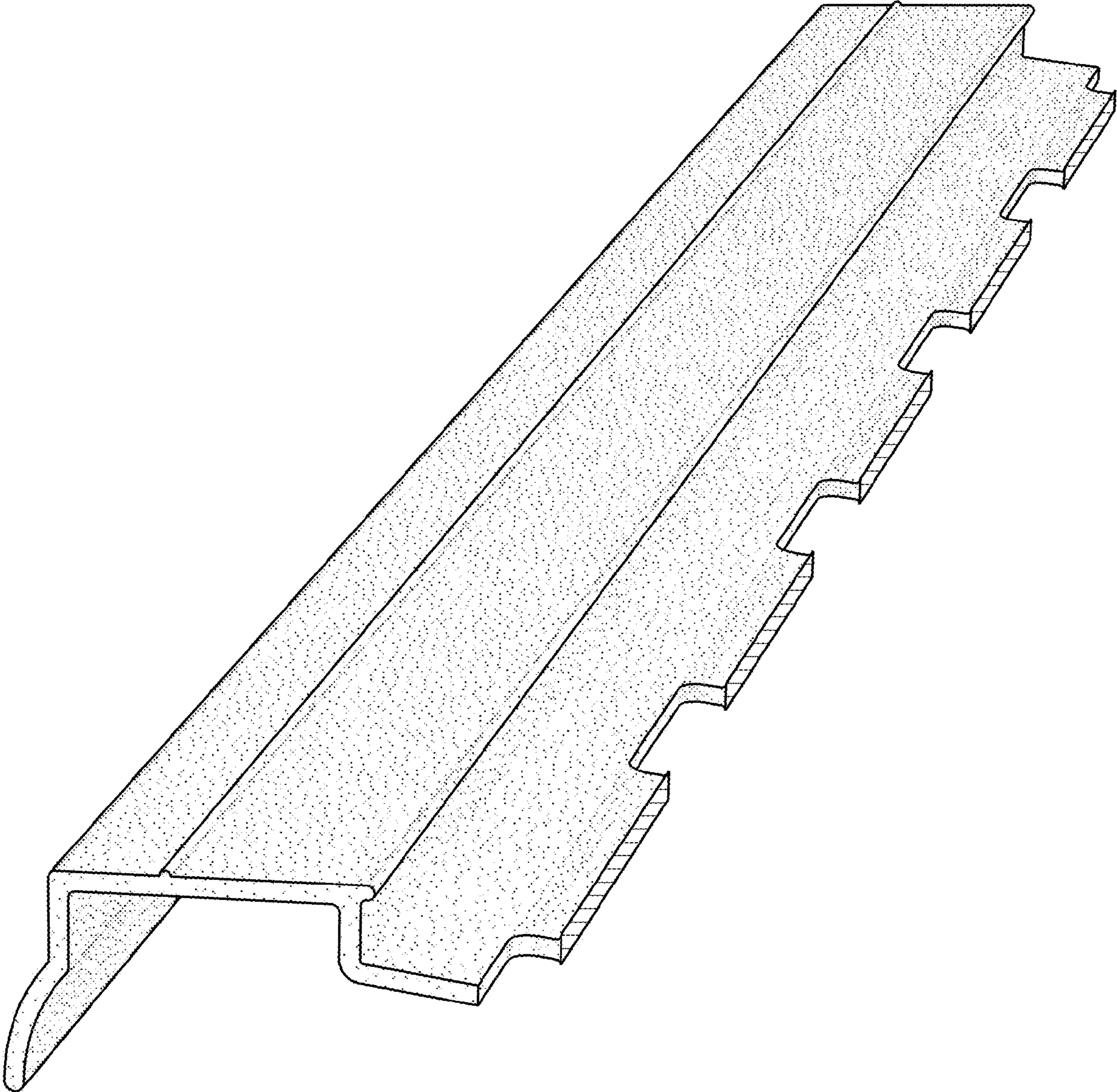


FIG.10

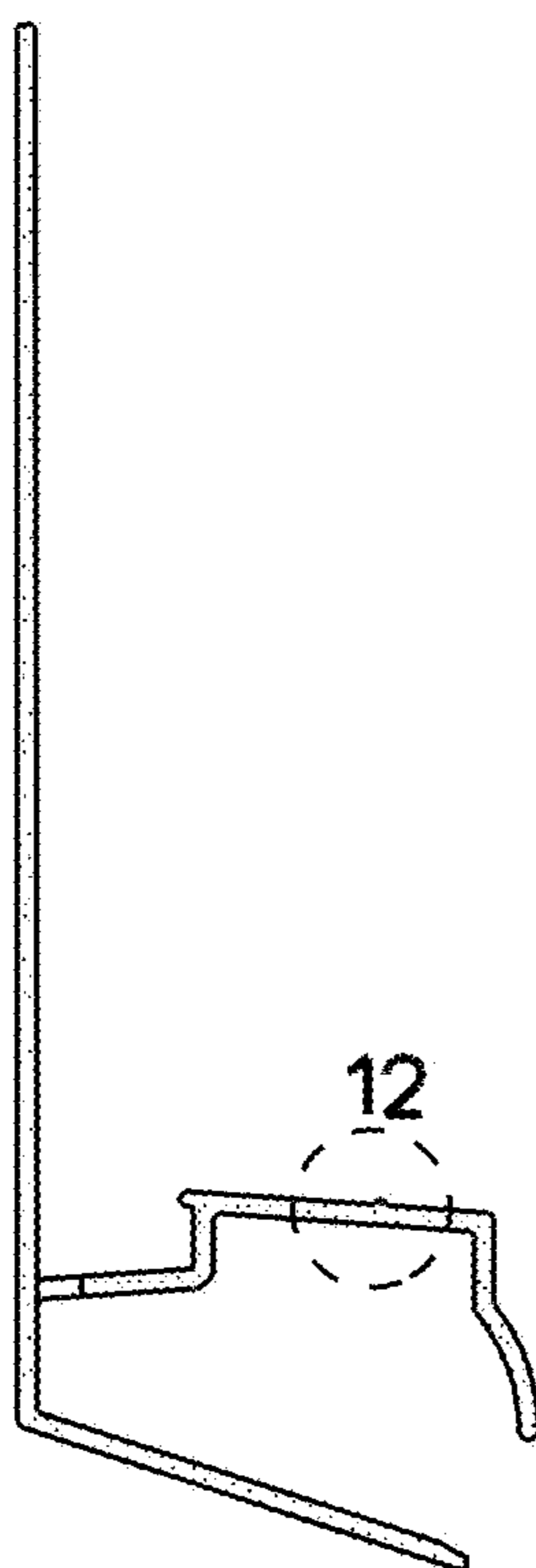


FIG.11

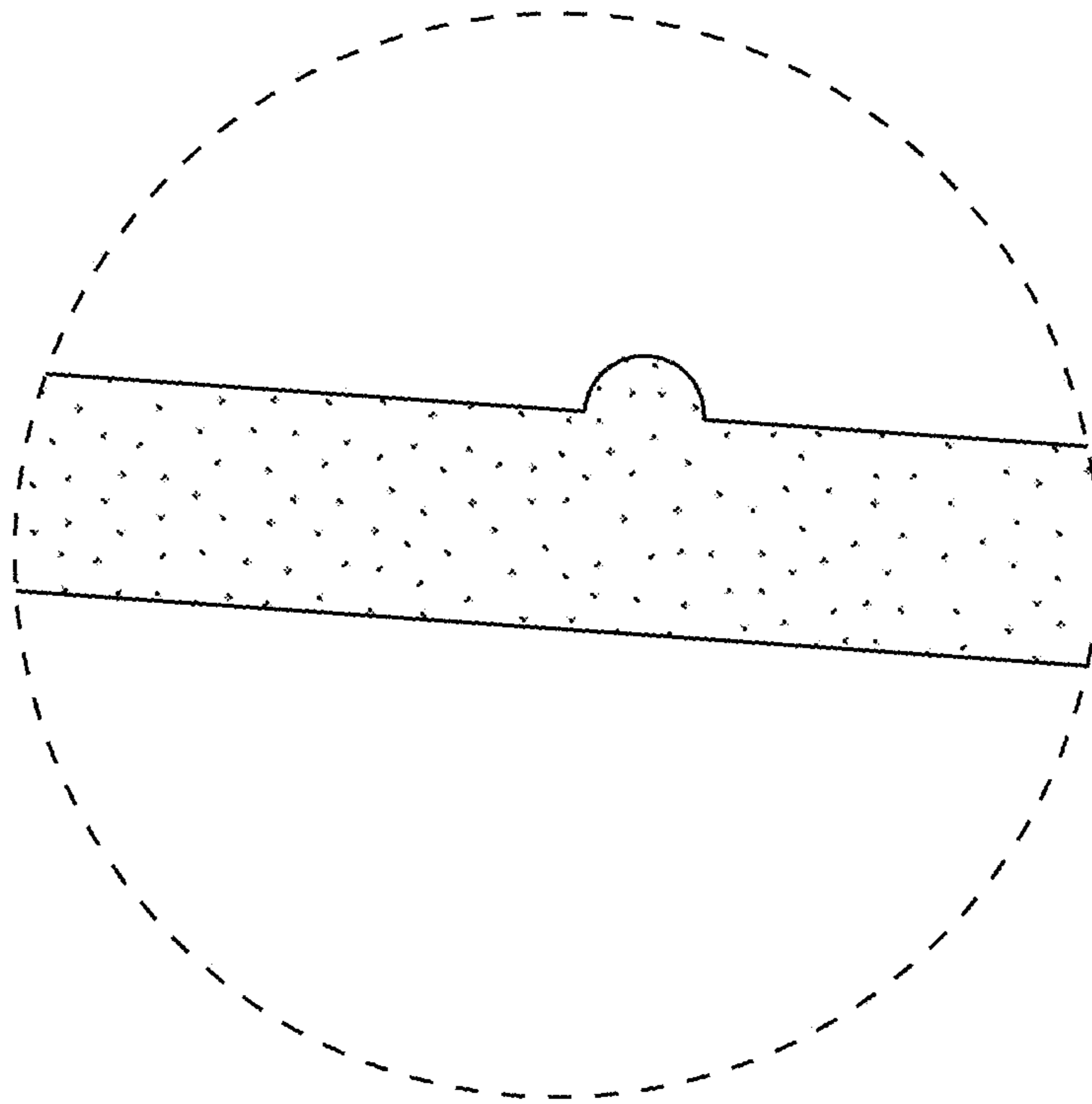


FIG.12