



US00D903145S

(12) **United States Design Patent**  
**Kröner**

(10) **Patent No.:** **US D903,145 S**

(45) **Date of Patent:** **\*\* Nov. 24, 2020**

(54) **AWNING**

(71) Applicant: **markilux GmbH + Co. KG**, Emsdetten (DE)

(72) Inventor: **Sven Kröner**, Saerbeck (DE)

(73) Assignee: **markilux GmbH + Co. KG**, Emsdetten (DE)

(\*\*) Term: **15 Years**

(21) Appl. No.: **29/682,057**

(22) Filed: **Mar. 1, 2019**

(30) **Foreign Application Priority Data**

Sep. 6, 2018 (DE) ..... 005 631 264-0003

(51) **LOC (12) Cl.** ..... **25-02**

(52) **U.S. Cl.**  
USPC ..... **D25/57**

(58) **Field of Classification Search**

USPC ..... D12/401, 403; D25/56, 57, 60, 136  
CPC ..... E04F 10/0614; E04F 10/0618; E04F 10/0625; E04F 10/0637; E04F 10/0644; E04F 10/0648; E04F 10/0651; E04F 10/0659; E04F 10/0662; E04F 10/067; E04F 10/0685; E04F 10/0688; B60P 3/343; E04H 15/0618; E04H 15/42; E04H 15/48; B62J 19/00

See application file for complete search history.

(56) **References Cited**

**U.S. PATENT DOCUMENTS**

D179,283 S \* 11/1956 Dietz ..... D25/57  
D567,963 S \* 4/2008 Cutler ..... D25/56

D604,427 S \* 11/2009 Kramer ..... D25/57  
D610,706 S \* 2/2010 Kramer ..... D25/57  
D610,707 S \* 2/2010 Kramer ..... D25/57  
D610,708 S \* 2/2010 Kramer ..... D25/57  
D668,787 S \* 10/2012 Kramer ..... D25/57  
D669,192 S \* 10/2012 Kramer ..... D25/57  
D698,941 S \* 2/2014 Cropley ..... D25/56  
D814,047 S \* 3/2018 Pozzi ..... D25/57

**OTHER PUBLICATIONS**

Markilux MX3 <https://pro.markilux.com/mediathek/media/85a2a469152a5df440449f30e041a636/566716/storage/master/05260792.pdf> Feb. 3, 2020 (Year: 2020).\*  
Markilux mx3 YouTube [https://www.youtube.com/watch?v=FQypKbHKwz4&feature=emb\\_logo](https://www.youtube.com/watch?v=FQypKbHKwz4&feature=emb_logo) Posted Jan. 2, 2019 (Year: 2019).\*

\* cited by examiner

*Primary Examiner* — Leanne Was-Engelhart

(74) *Attorney, Agent, or Firm* — McGlew and Tuttle, P.C.

(57) **CLAIM**

The ornamental design for an awning, as shown and described.

**DESCRIPTION**

FIG. 1 is a front view of an awning, showing my new design; FIG. 2 is a rear view thereof; FIG. 3 is a top view thereof; FIG. 4 is a bottom view thereof; FIG. 5 is a lateral view (right side) thereof; FIG. 6 is a lateral view (left side) thereof; and, FIG. 7 is a perspective view thereof.

The broken lines depict portions of the awning that form no part of the claimed design.

**1 Claim, 7 Drawing Sheets**

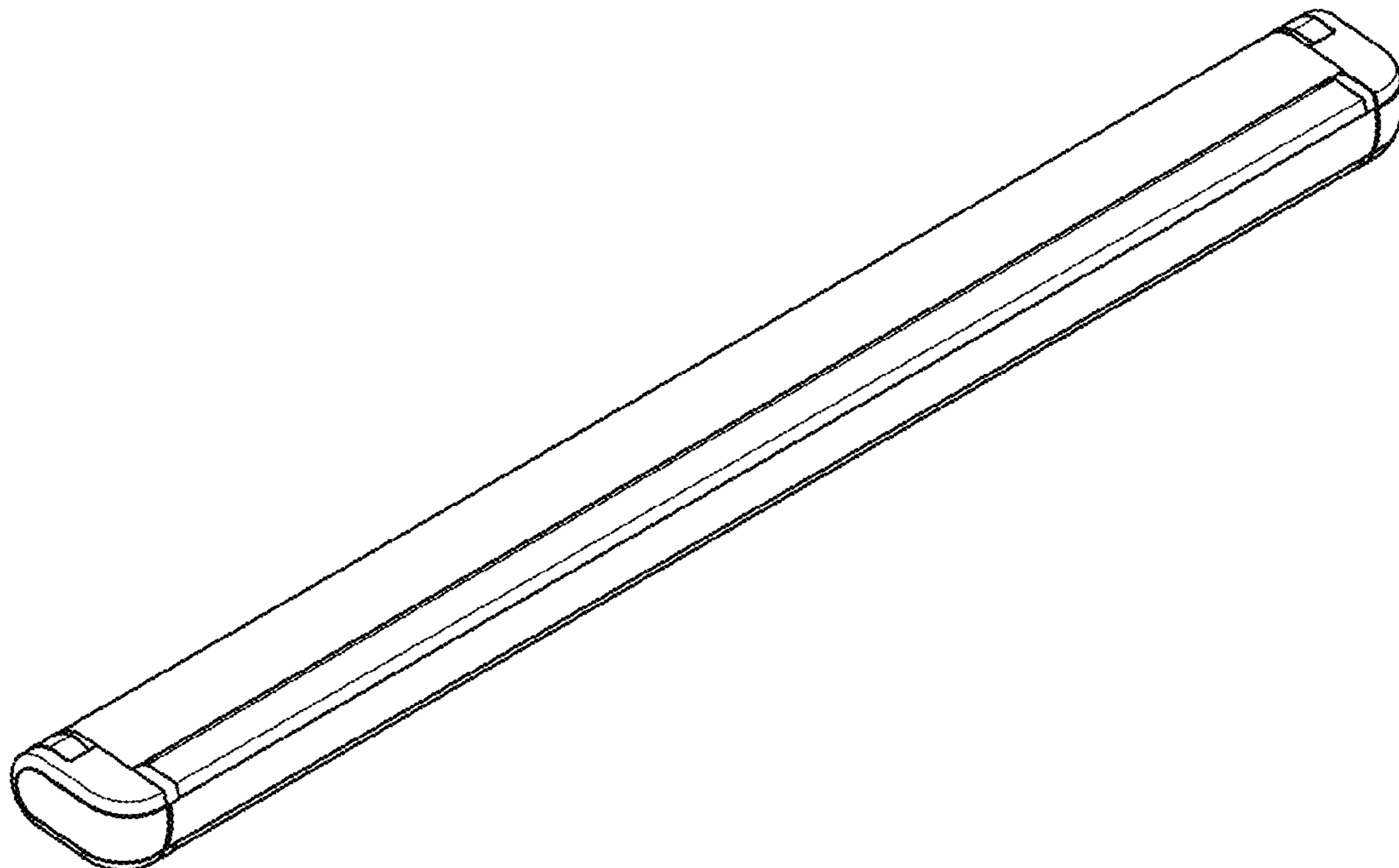


Fig. 1



Fig. 2



Fig. 3



Fig. 4

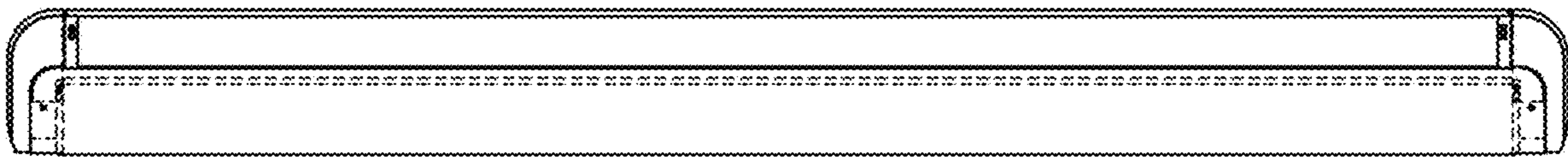


Fig. 5



Fig. 6



Fig. 7

