



US00D903143S

(12) **United States Design Patent** (10) **Patent No.:** **US D903,143 S**
Self et al. (45) **Date of Patent:** **** Nov. 24, 2020**

(54) **PROCESS PLATE**
(71) Applicant: **Becton, Dickinson and Company**,
Franklin Lakes, NJ (US)
(72) Inventors: **Brian A. Self**, Monkton, MD (US);
Dwight Livingston, Fallston, MD (US)
(73) Assignee: **Becton, Dickinson and Company**,
Franklin Lakes, NJ (US)

D624,194 S * 9/2010 Pack D24/224
D673,294 S 12/2012 Motadel
D677,400 S * 3/2013 Blaettler D24/230
D690,027 S 9/2013 Motadel
D697,227 S * 1/2014 Motadel D24/227
D699,371 S 2/2014 Williams et al.
D699,859 S * 2/2014 Motadel D24/227
D702,854 S * 4/2014 Nakahana D24/227
8,728,415 B2 5/2014 Seippel
D710,024 S 7/2014 Guo
(Continued)

(**) Term: **15 Years**
(21) Appl. No.: **29/657,941**
(22) Filed: **Jul. 26, 2018**

FOREIGN PATENT DOCUMENTS

AU 201614442 C1 11/2016

OTHER PUBLICATIONS

US D878,623 S, 03/2020, Self et al. (withdrawn)
(Continued)

Related U.S. Application Data

(62) Division of application No. 29/564,484, filed on May
13, 2016, now Pat. No. Des. 825,774.
(51) **LOC (12) Cl.** **24-02**
(52) **U.S. Cl.**
USPC **D24/224**
(58) **Field of Classification Search**
USPC D24/107, 216, 227-230, 222, 127, 12;
422/50, 500, 501, 524, 564, 563, 562,
422/561, 942, 401
CPC B01L 3/0275; B01L 3/02; B01L 2300/08;
B01L 2300/0829; B01L 2200/06
See application file for complete search history.

Primary Examiner — Susan Bennett Hattan
Assistant Examiner — Rebecca Tsehaye
(74) *Attorney, Agent, or Firm* — Lerner, David,
Littenberg, Krumholz & Mentlik, LLP

(57) **CLAIM**

The ornamental design for a process plate, as shown and
described.

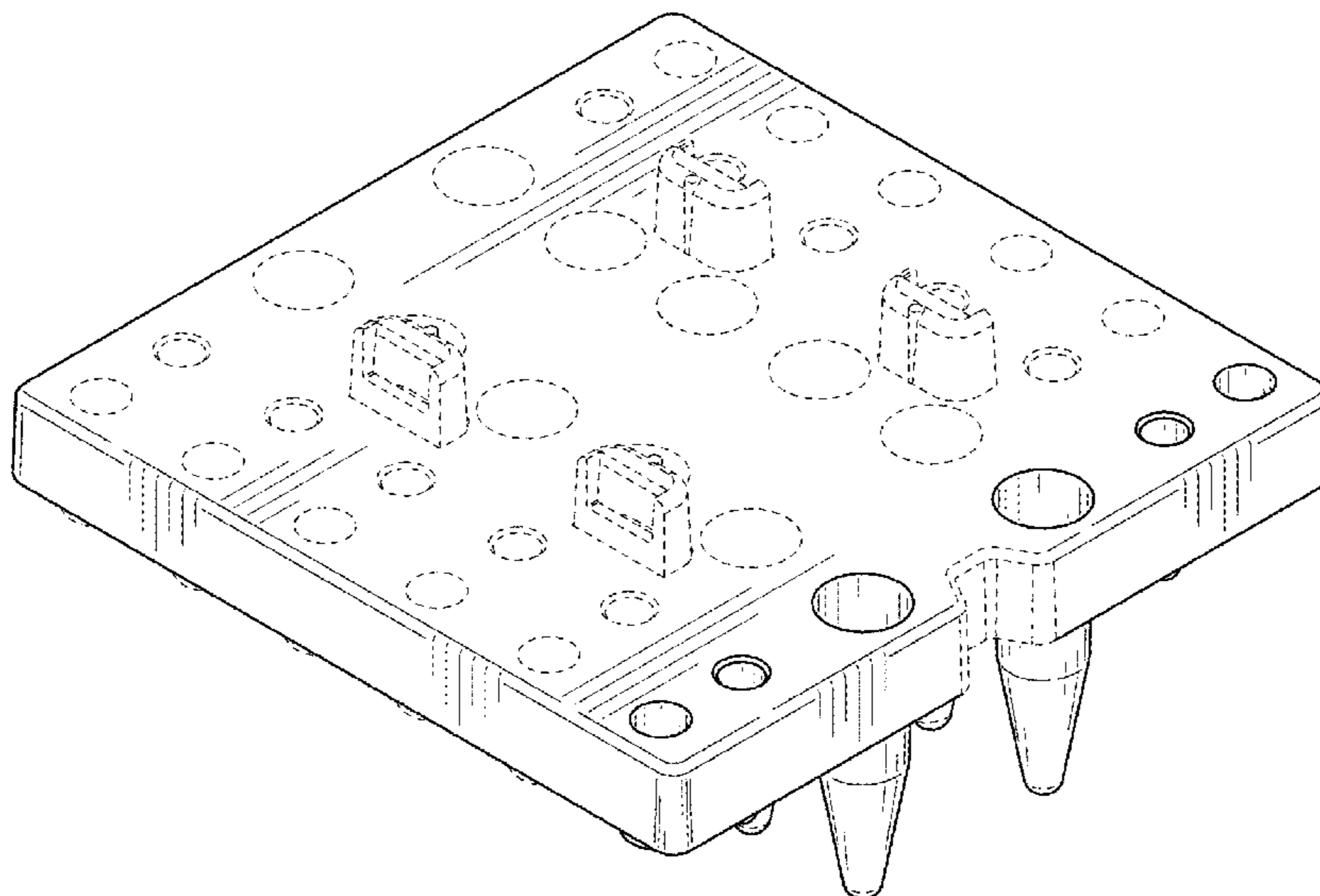
DESCRIPTION

FIG. 1 is a front perspective view of a process plate
according to our design;
FIG. 2 is a front elevational view thereof;
FIG. 3 is a rear elevational view thereof;
FIG. 4 is a right side elevational view thereof;
FIG. 5 is a left side elevational view thereof;
FIG. 6 is a top plan view thereof; and,
FIG. 7 is a bottom plan view thereof.
The broken lines illustrate unclaimed environmental struc-
ture and form no part of the claimed design.

(56) **References Cited**
U.S. PATENT DOCUMENTS

D337,165 S * 7/1993 Malinoff D24/222
D420,743 S * 2/2000 Monks D24/224
6,558,631 B1 5/2003 Day
6,601,725 B2 8/2003 Lafond et al.
D574,506 S 8/2008 Monks
D598,566 S 8/2009 Allaer
D608,013 S 1/2010 Coulling et al.
D618,820 S 6/2010 Wilson et al.

1 Claim, 4 Drawing Sheets



(56)

References Cited

U.S. PATENT DOCUMENTS

D718,465 S 11/2014 Tajima et al.
 D729,942 S 5/2015 Keizer et al.
 9,180,456 B2 11/2015 Malinoski et al.
 D778,459 S 2/2017 Tajima
 D792,981 S 7/2017 Tajima
 D793,573 S 8/2017 Karmeniemi
 9,802,196 B2 10/2017 Taunk
 D815,753 S 4/2018 Curry et al.
 D825,774 S * 8/2018 Self D24/224
 D826,425 S 8/2018 Muller et al.
 D827,149 S * 8/2018 Self D24/224
 D844,806 S 4/2019 Johns et al.
 D848,638 S * 5/2019 Sims D24/226
 D849,961 S 5/2019 Muller et al.
 D854,707 S 7/2019 Jakobsen et al.
 D862,724 S 10/2019 Sims et al.
 D868,289 S 11/2019 Muller et al.
 D868,996 S 12/2019 Muller et al.
 D893,743 S * 8/2020 Self D24/224
 2005/0136546 A1 * 6/2005 Berndt B01L 3/5085
 436/45
 2006/0257292 A1 * 11/2006 Motadel B01L 9/543
 422/400

2008/0284602 A1 * 11/2008 Morris B01L 3/5027
 340/572.1
 2010/0080734 A1 * 4/2010 Brophy B01L 3/0275
 422/400
 2010/0119418 A1 * 5/2010 Clements B01L 3/5085
 422/400
 2010/0314051 A1 * 12/2010 Barger B01D 1/14
 159/16.1
 2012/0257953 A1 10/2012 Williams et al.
 2013/0161225 A1 * 6/2013 Lepot A61M 5/001
 206/557
 2014/0205518 A1 * 7/2014 Malinoski C08L 67/02
 422/552
 2014/0234182 A1 8/2014 Motadel et al.
 2016/0319329 A1 * 11/2016 Natale G01N 35/028

OTHER PUBLICATIONS

Design U.S. Appl. No. 29/658,064, filed Jul. 27, 2018, entitled
 "Process Plate".
[https://www.google.com/search?q=process+plate&source=lnms
 &tbm=isch&sa=X&ved= Aug. 12, 2019.](https://www.google.com/search?q=process+plate&source=lnms&tbm=isch&sa=X&ved= Aug. 12, 2019.)
 Self et al., "Process Plate", Design U.S. Appl. No. 29/664,909 filed
 Sep. 28, 2018.

* cited by examiner

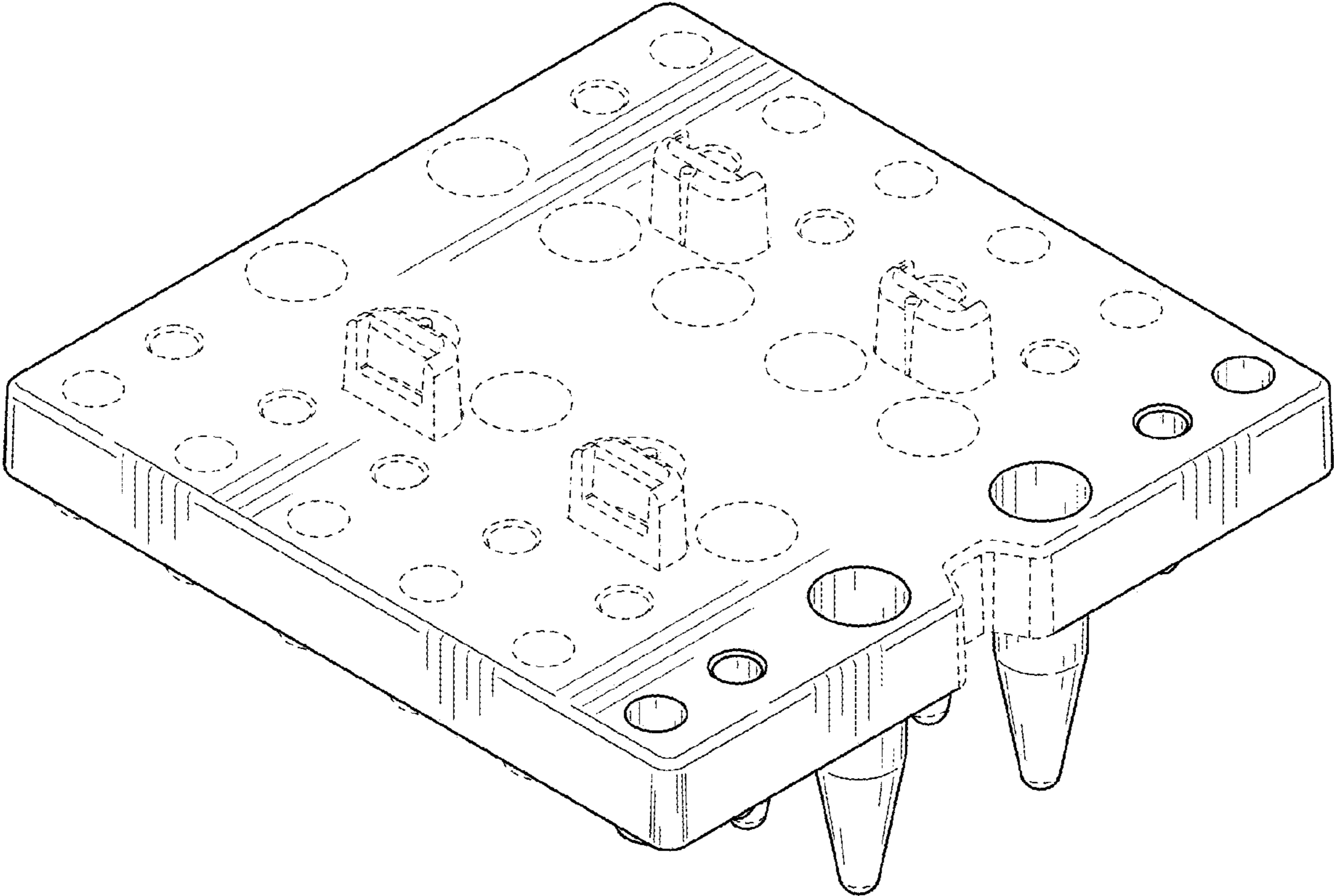


FIG. 1

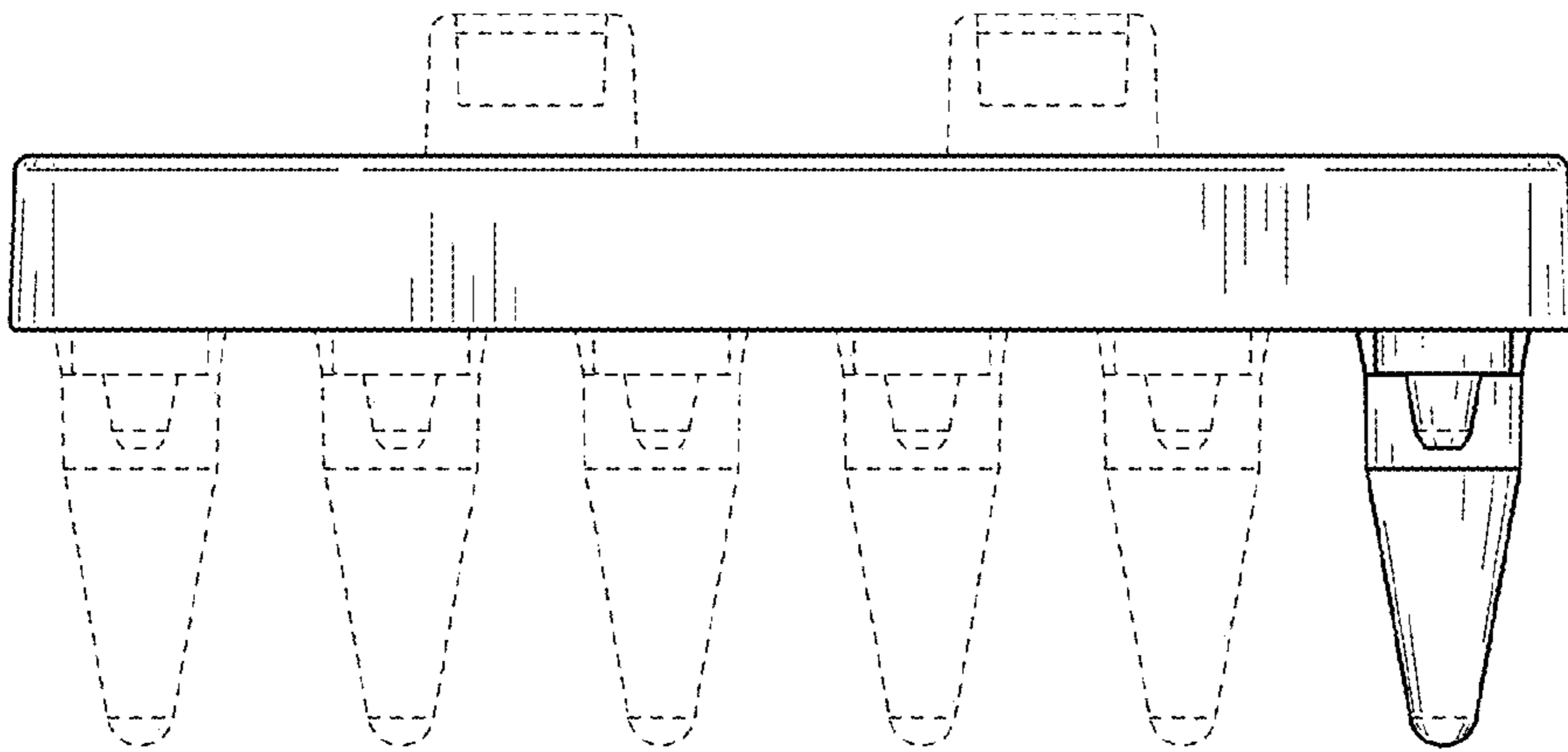


FIG. 2

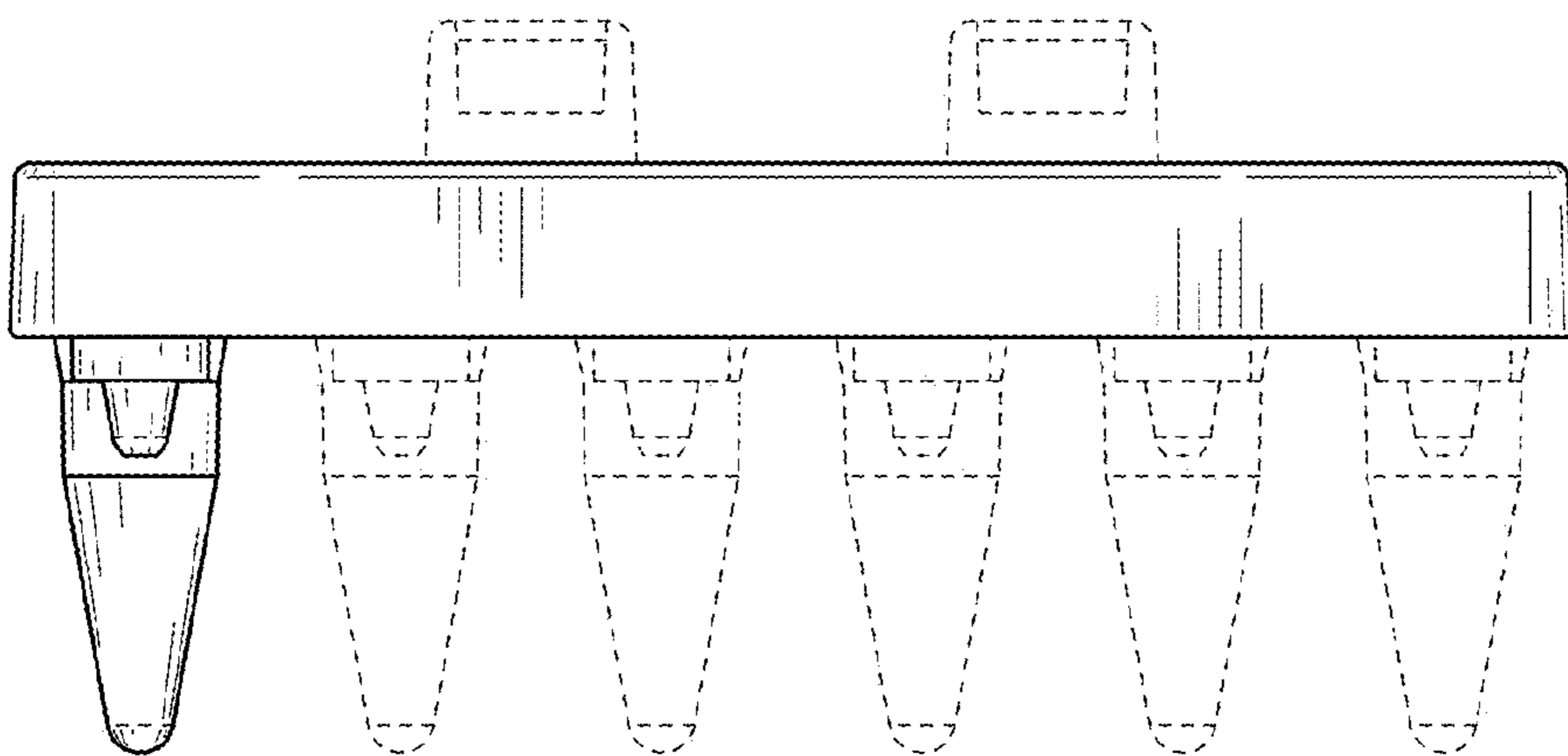


FIG. 3

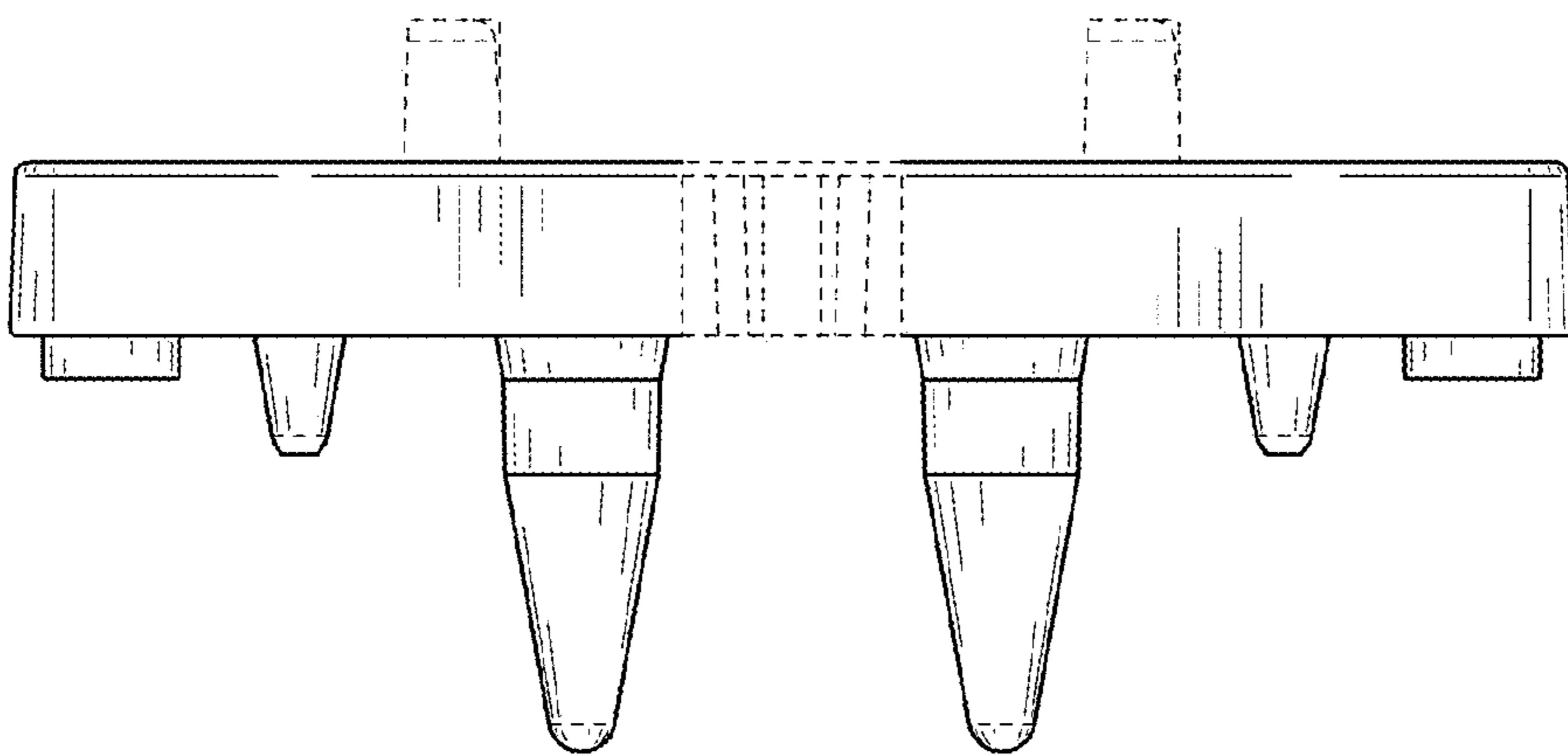


FIG. 4

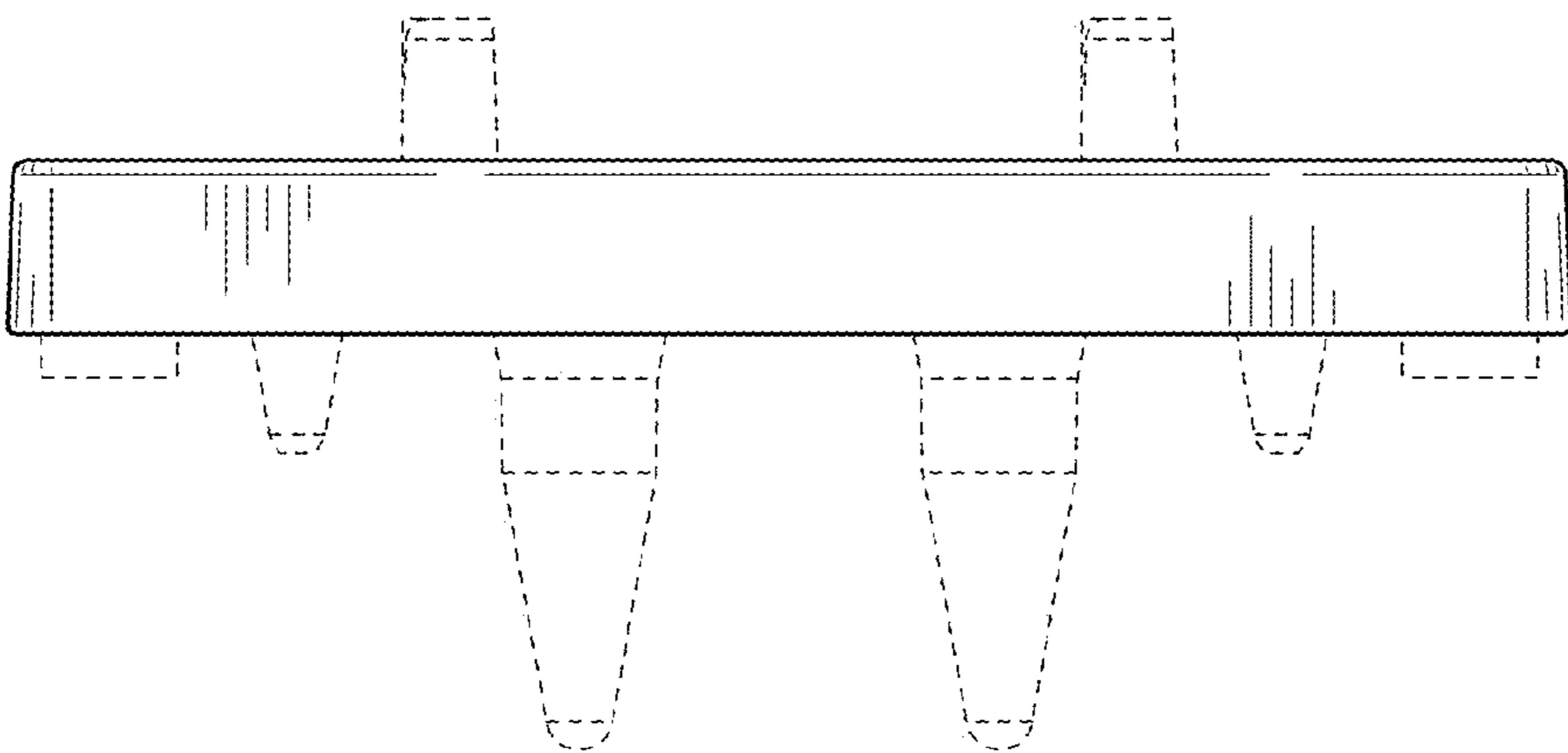


FIG. 5

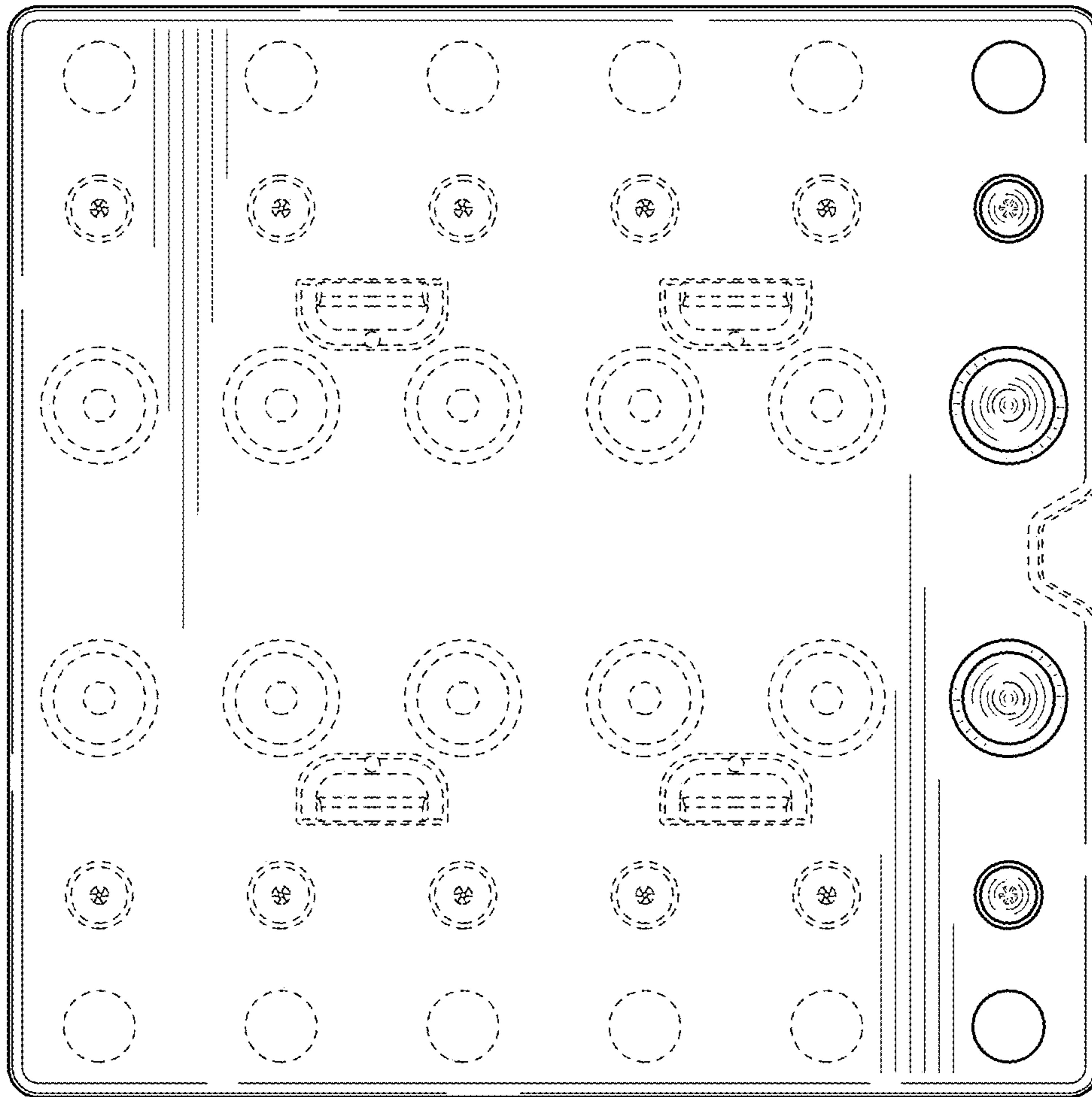


FIG. 6

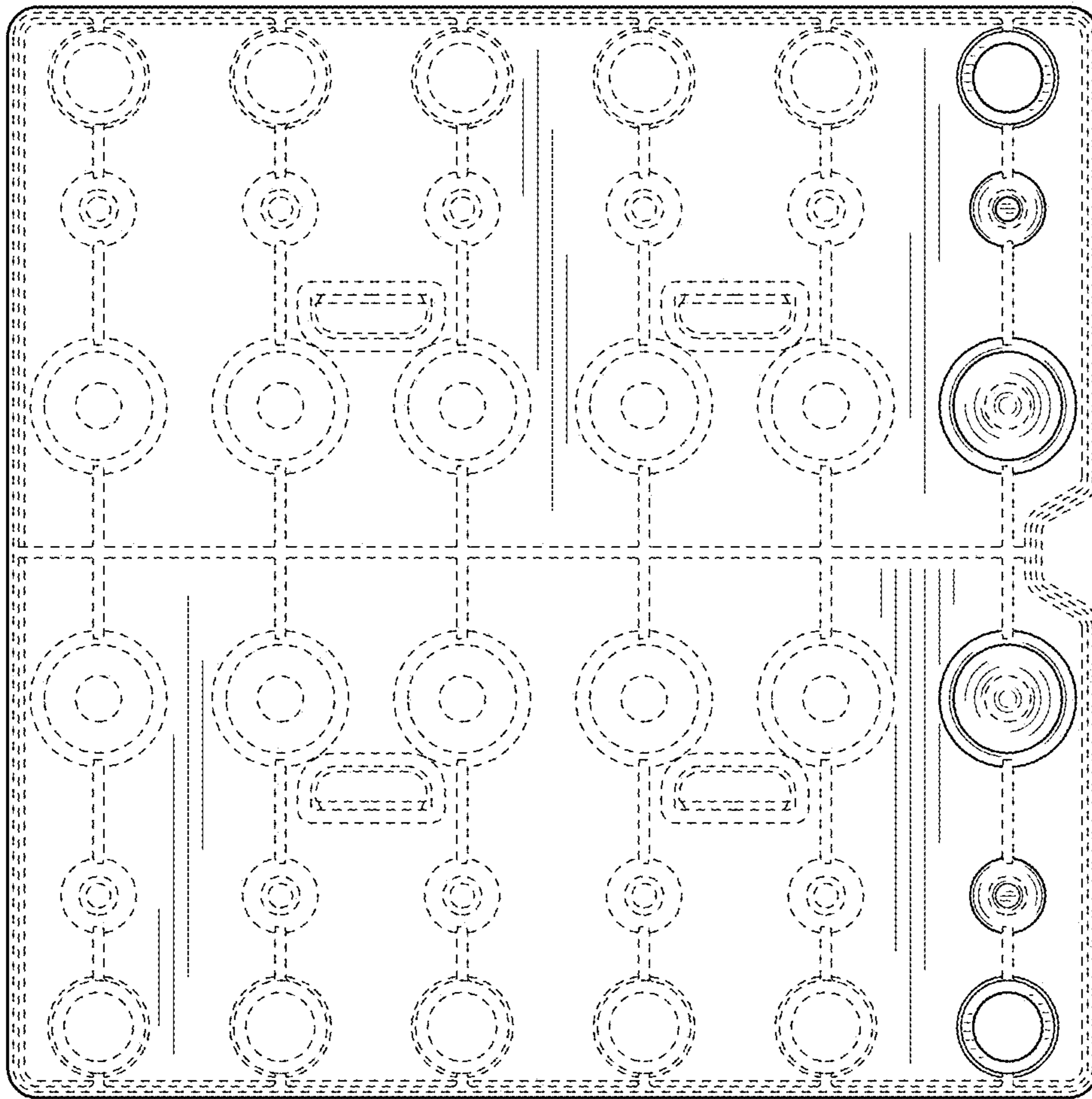


FIG. 7