



US00D903141S

(12) **United States Design Patent** (10) **Patent No.:** **US D903,141 S**
Kosmas et al. (45) **Date of Patent:** **** Nov. 24, 2020**

(54) **DENTAL MIXING PALETTE**

(71) Applicants: **Alexandros Kosmas**, Farsala (GR);
Michalis Papastamos, Ag. Dimitrios (GR)

(72) Inventors: **Alexandros Kosmas**, Farsala (GR);
Michalis Papastamos, Ag. Dimitrios (GR)

(**) Term: **15 Years**

(21) Appl. No.: **29/661,118**

(22) Filed: **Aug. 24, 2018**

(51) **LOC (12) Cl.** **24-02**

(52) **U.S. Cl.**
USPC **D24/221**

(58) **Field of Classification Search**
USPC D24/221, 162, 176, 216, 227, 220;
D3/203.1; D9/456, 430; D7/587;
D19/106; D32/35, 25

(Continued)

(56) **References Cited**

U.S. PATENT DOCUMENTS

2,970,379 A * 2/1961 Hardgrove A61C 19/006

433/163

D209,584 S * 12/1967 Towe D24/221

(Continued)

Primary Examiner — Rhea Shields

(74) *Attorney, Agent, or Firm* — Franco S. DeLiguori; DP IP Group

(57) **CLAIM**

The ornamental design for a dental mixing palette, as shown and described.

DESCRIPTION

FIG. 1 is a top perspective view of a dental mixing palette with both covers in a closed state, according to an embodiment of our new design;

FIG. 2 is a view similar to FIG. 1 with one of the covers shown in an opened, folded state relative to the other cover;

FIG. 3 is a view similar to FIG. 1 with one of the covers removed;

FIG. 4 is a view similar to FIG. 1 with both covers removed;

FIG. 5 is a bottom perspective view of the dental mixing palette shown in FIG. 1;

FIG. 6 is a bottom perspective view of the dental mixing palette shown in FIG. 3;

FIG. 7 is a front view of the dental mixing palette shown in FIG. 1;

FIG. 8 is a front view of the dental mixing palette shown in FIG. 2;

FIG. 9 is a front view of the dental mixing palette shown in FIG. 3;

FIG. 10 is a front view of the dental mixing palette shown in FIG. 4;

FIG. 11 is a side view of the dental mixing palette shown in FIG. 1;

FIG. 12 is a side view of the dental mixing palette shown in FIG. 2;

FIG. 13 is a side view of the dental mixing palette shown in FIG. 3;

FIG. 14 is a side view of the dental mixing palette shown in FIG. 4;

FIG. 15 is a top view of the dental mixing palette shown in FIG. 1;

FIG. 16 is a top view of the dental mixing palette shown in FIG. 2;

FIG. 17 is a top view of the dental mixing palette shown in FIG. 3;

FIG. 18 is a top view of the dental mixing palette shown in FIG. 4;

FIG. 19 is a partial exploded view of the hinge shown in FIG. 1;

FIG. 20 is a partial enlarged view of the hinge shown in FIG. 1;

FIG. 21 is a partial enlarged view of the hinge shown in FIG. 3;

FIG. 22 is another partial enlarged view of the hinge shown in FIG. 3 in an alternate position; and,

(Continued)

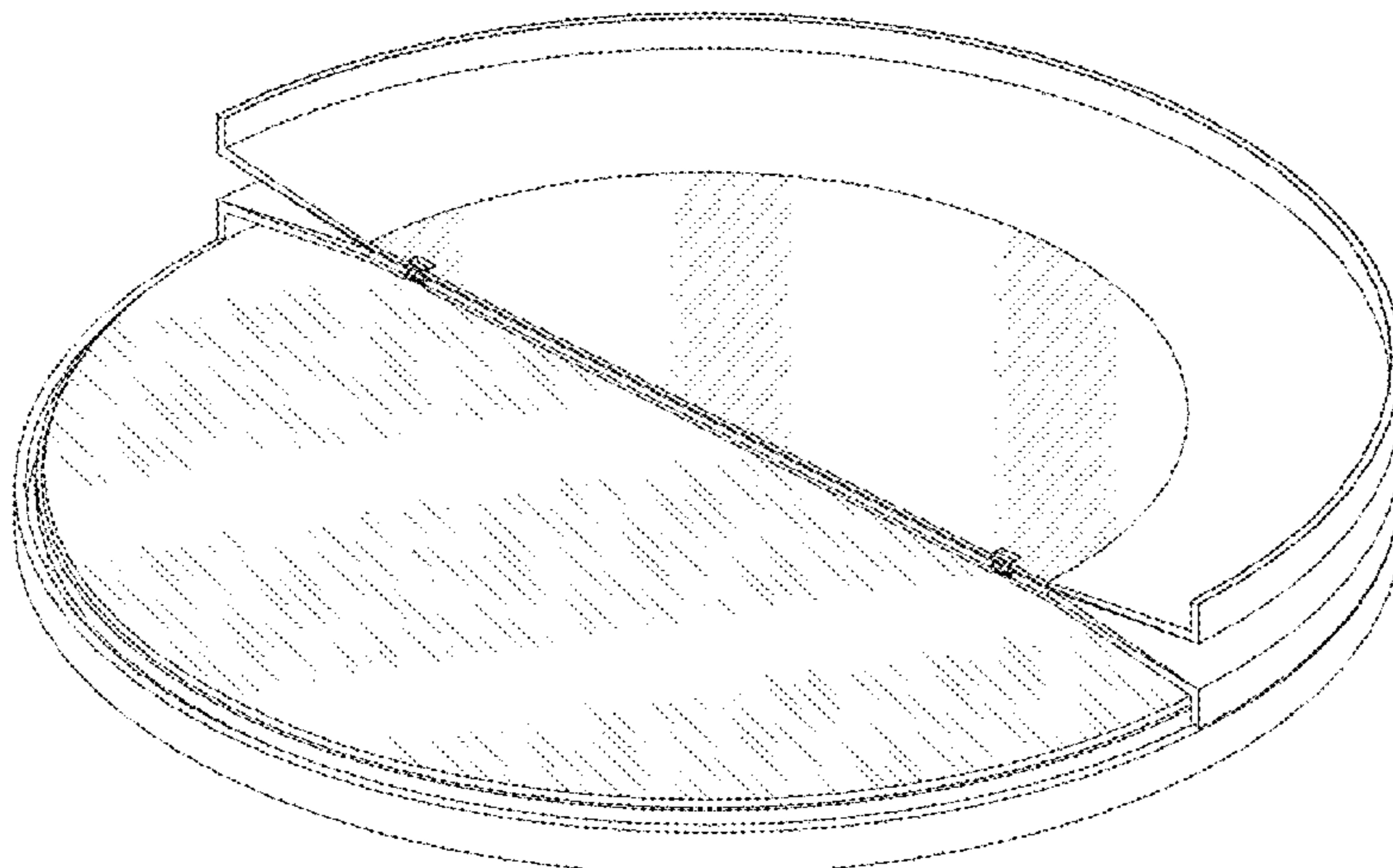


FIG. 23 is another partial enlarged view of the hinge shown in FIG. 3 in an alternate position.

1 Claim, 11 Drawing Sheets

(58) **Field of Classification Search**

CPC B65D 83/0454; A61C 3/04; A61C 19/006;
A61C 19/005

See application file for complete search history.

(56) **References Cited**

U.S. PATENT DOCUMENTS

D215,766 S * 10/1969 Dusek et al. D19/106
D234,189 S * 1/1975 Hesselgren D9/430
4,164,301 A * 8/1979 Thayer B65D 83/0454
206/534

D253,372 S * 11/1979 Mayclin 433/49
D254,269 S * 2/1980 Bird D24/221
D307,051 S * 4/1990 Denny D24/221
D346,674 S * 5/1994 Berghash D24/176
D441,090 S * 4/2001 Broyles D24/176
D444,567 S * 7/2001 Tang D24/176
D537,217 S * 2/2007 Charmoille D32/25
D545,514 S * 6/2007 Jaricot D32/35
D546,630 S * 7/2007 Asner D7/587
D613,126 S * 4/2010 Warner D7/587
D621,058 S * 8/2010 Lim D24/220
D702,853 S * 4/2014 Priebe D24/220
D710,701 S * 8/2014 Lai D9/456
D729,403 S * 5/2015 Hage D24/227
D775,343 S * 12/2016 Boccabella D24/162
D783,833 S * 4/2017 Wong A61C 3/04
D24/176
D889,680 S * 7/2020 Barere D24/216
D890,511 S * 7/2020 Dericco D3/203.1
2020/0060795 A1 * 2/2020 Papastamos A61C 19/005

* cited by examiner

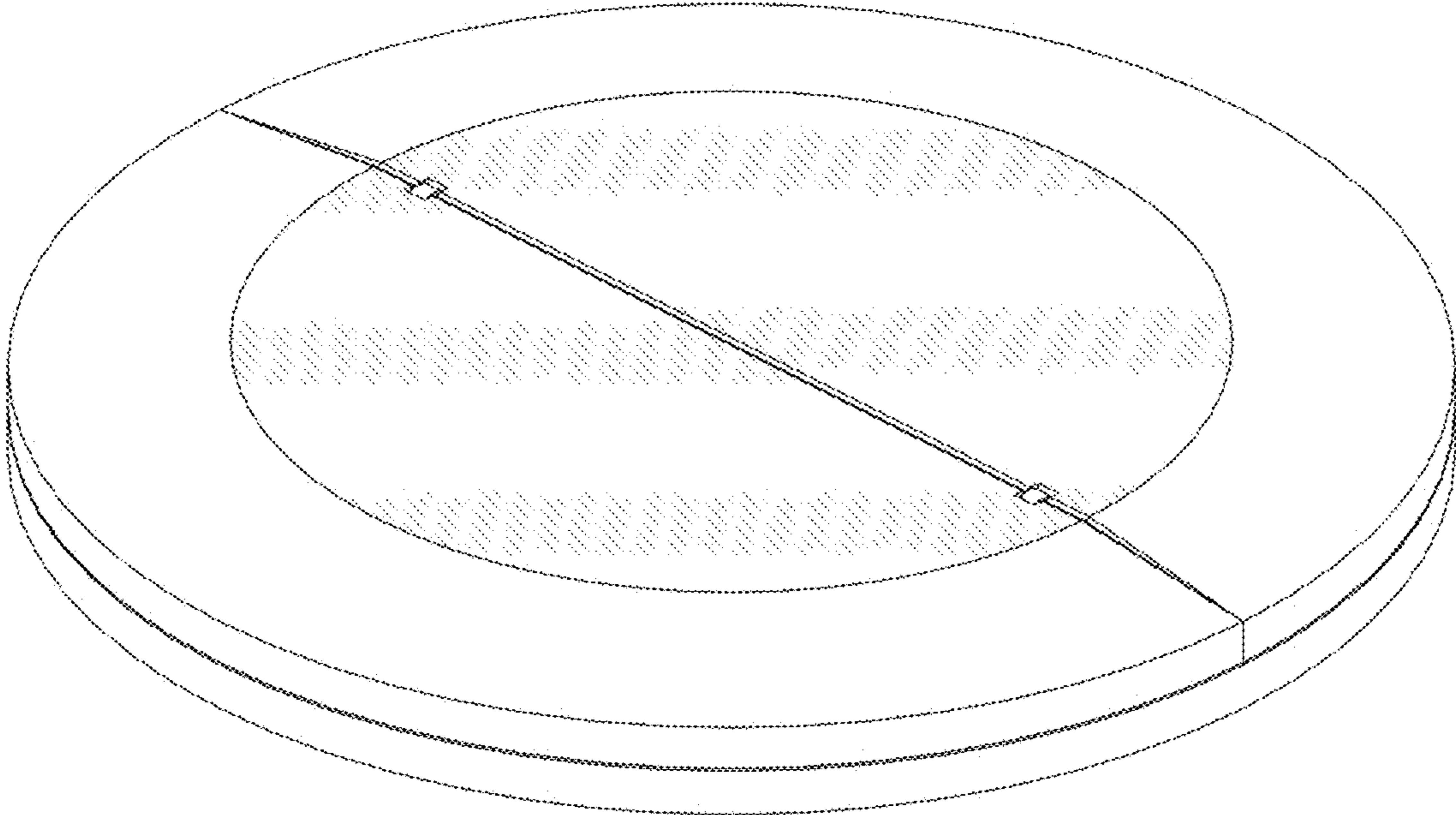


FIG. 1

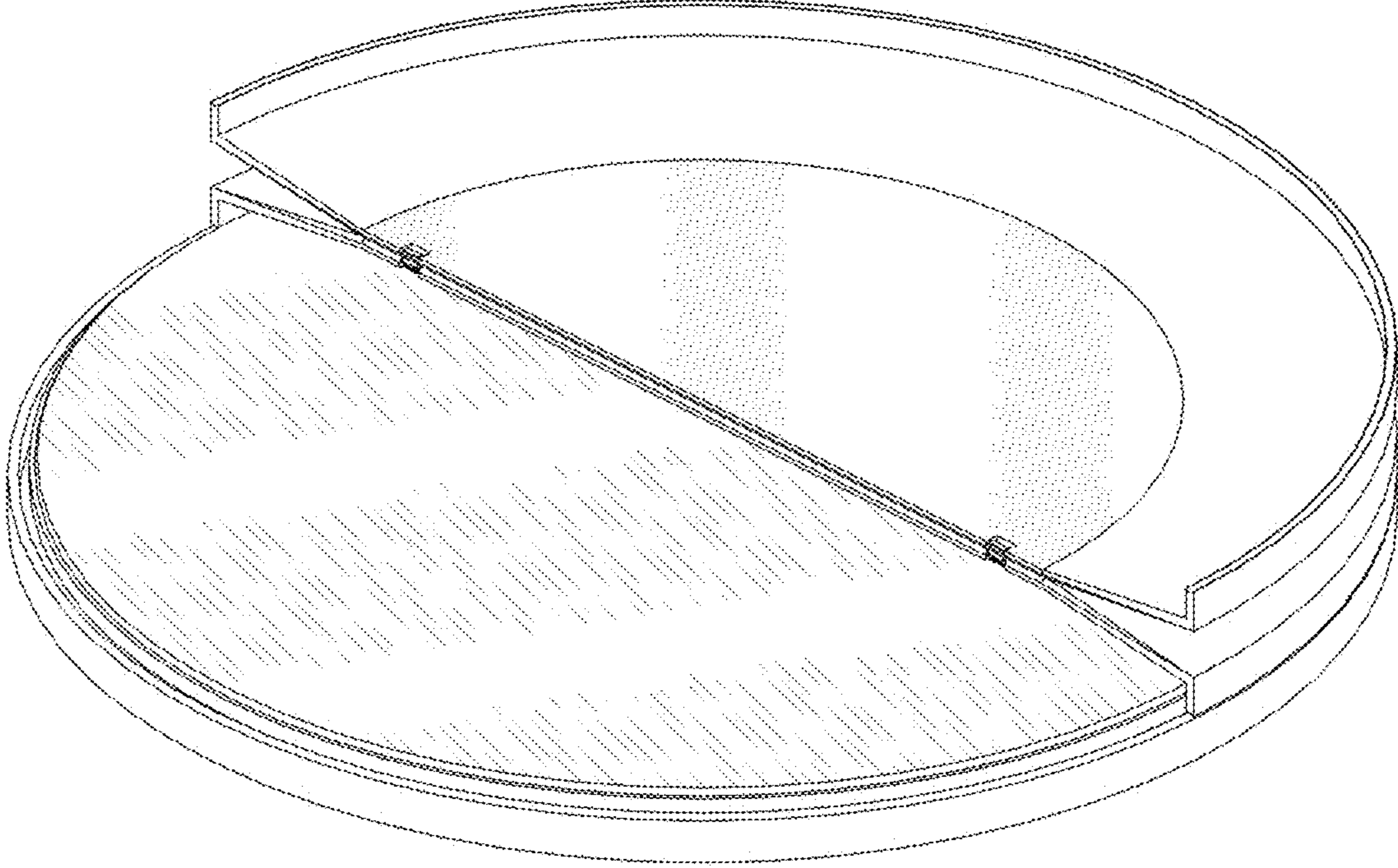


FIG. 2

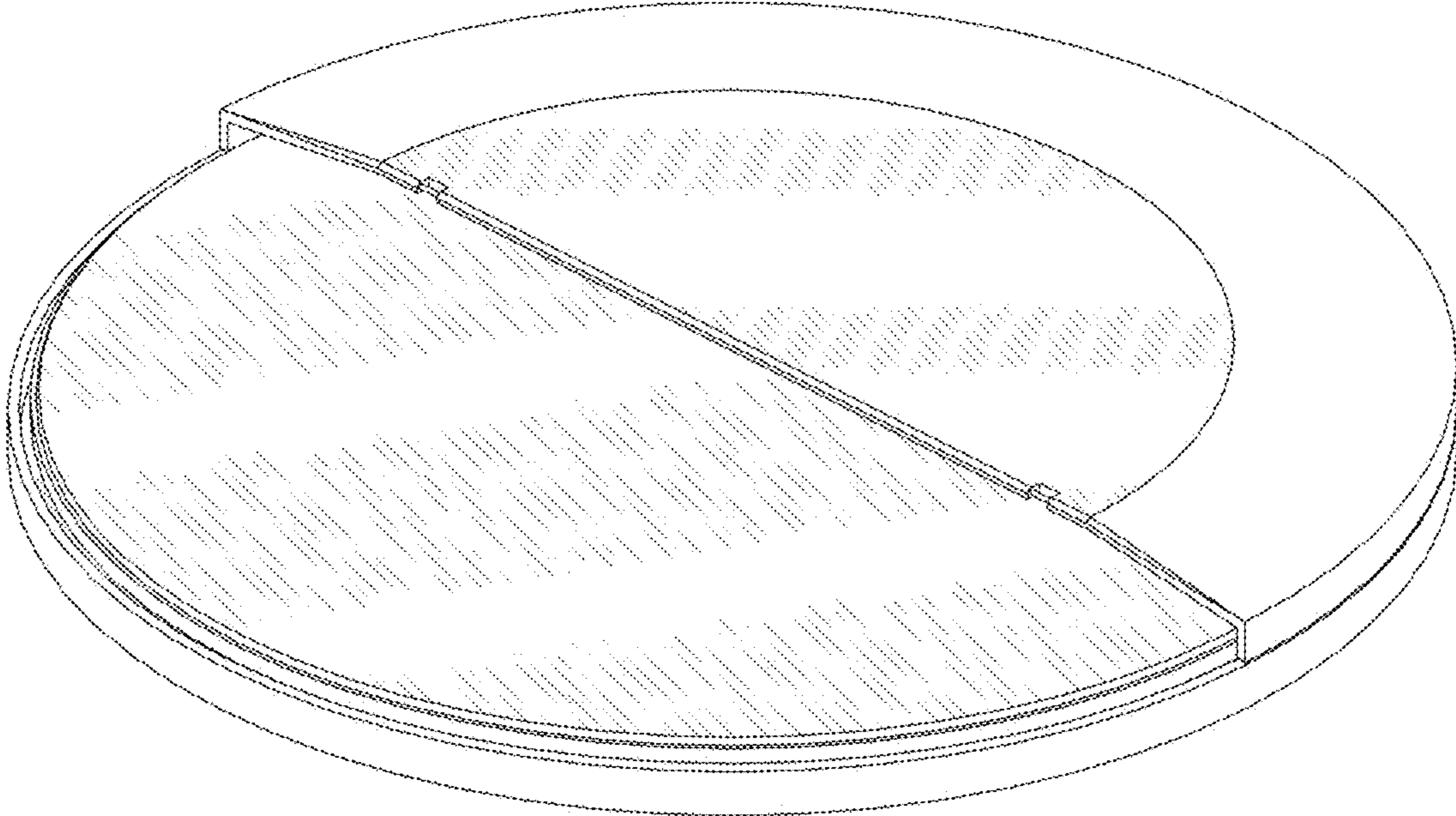


FIG. 3

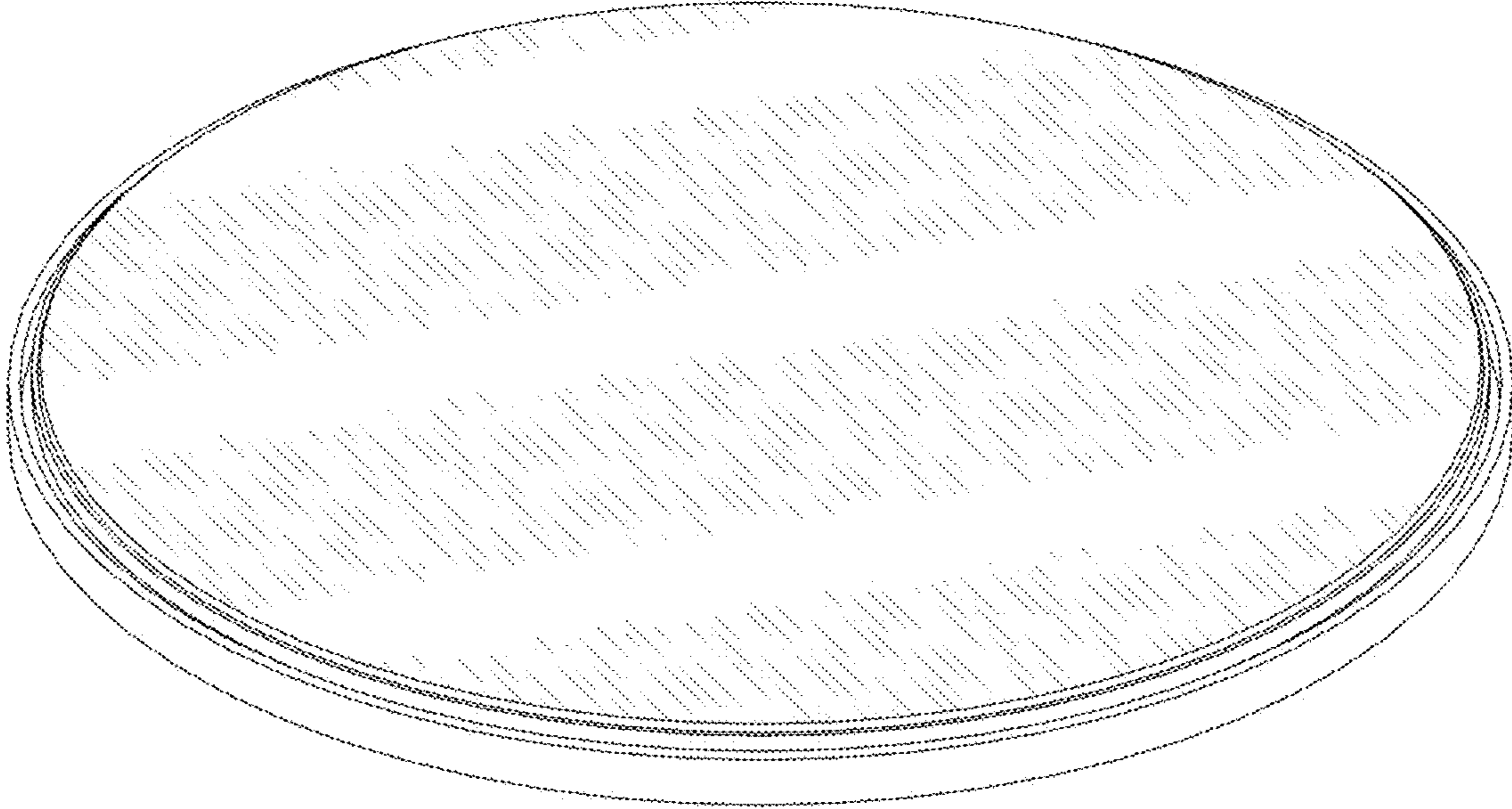


FIG. 4

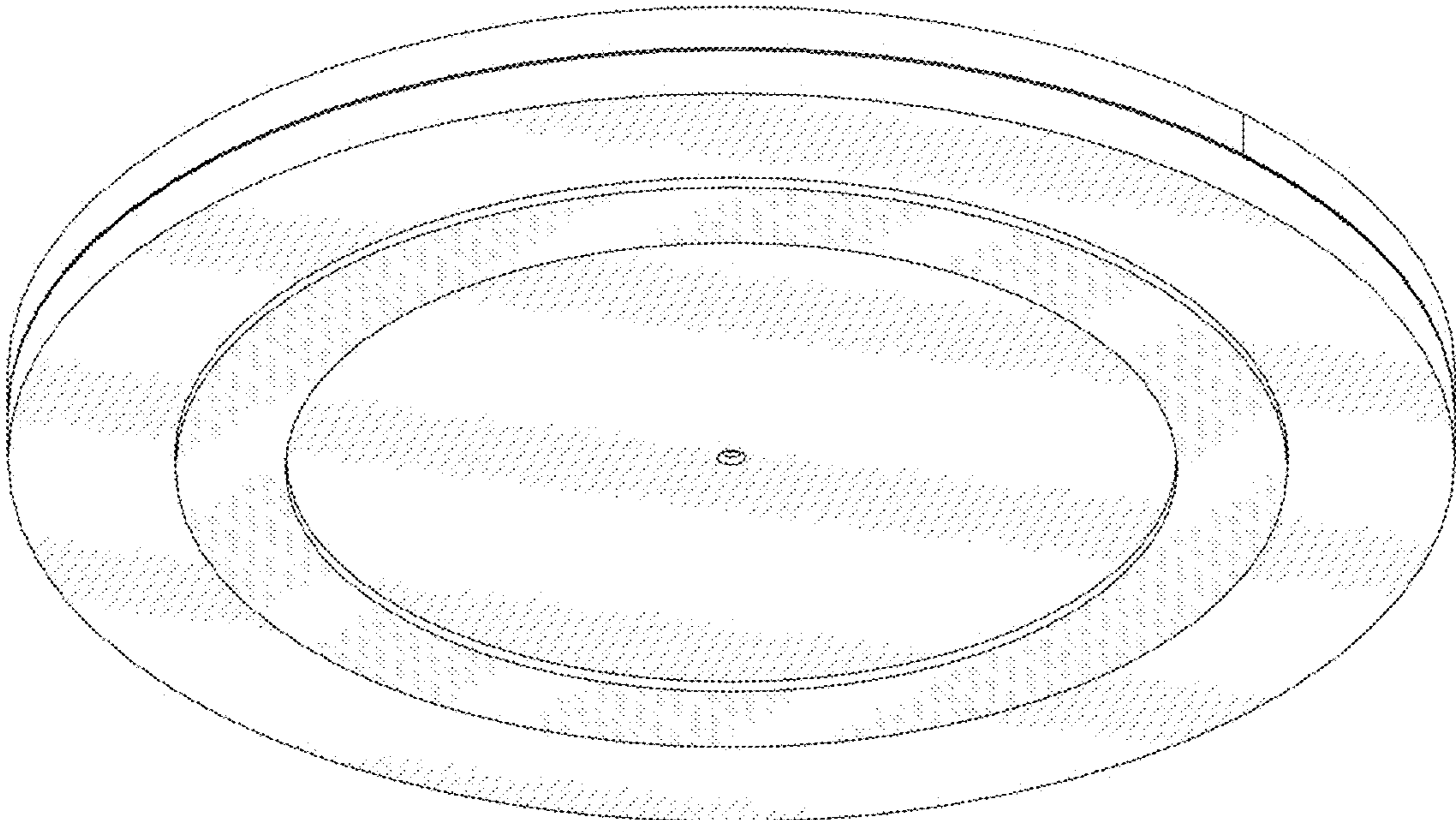


FIG. 5

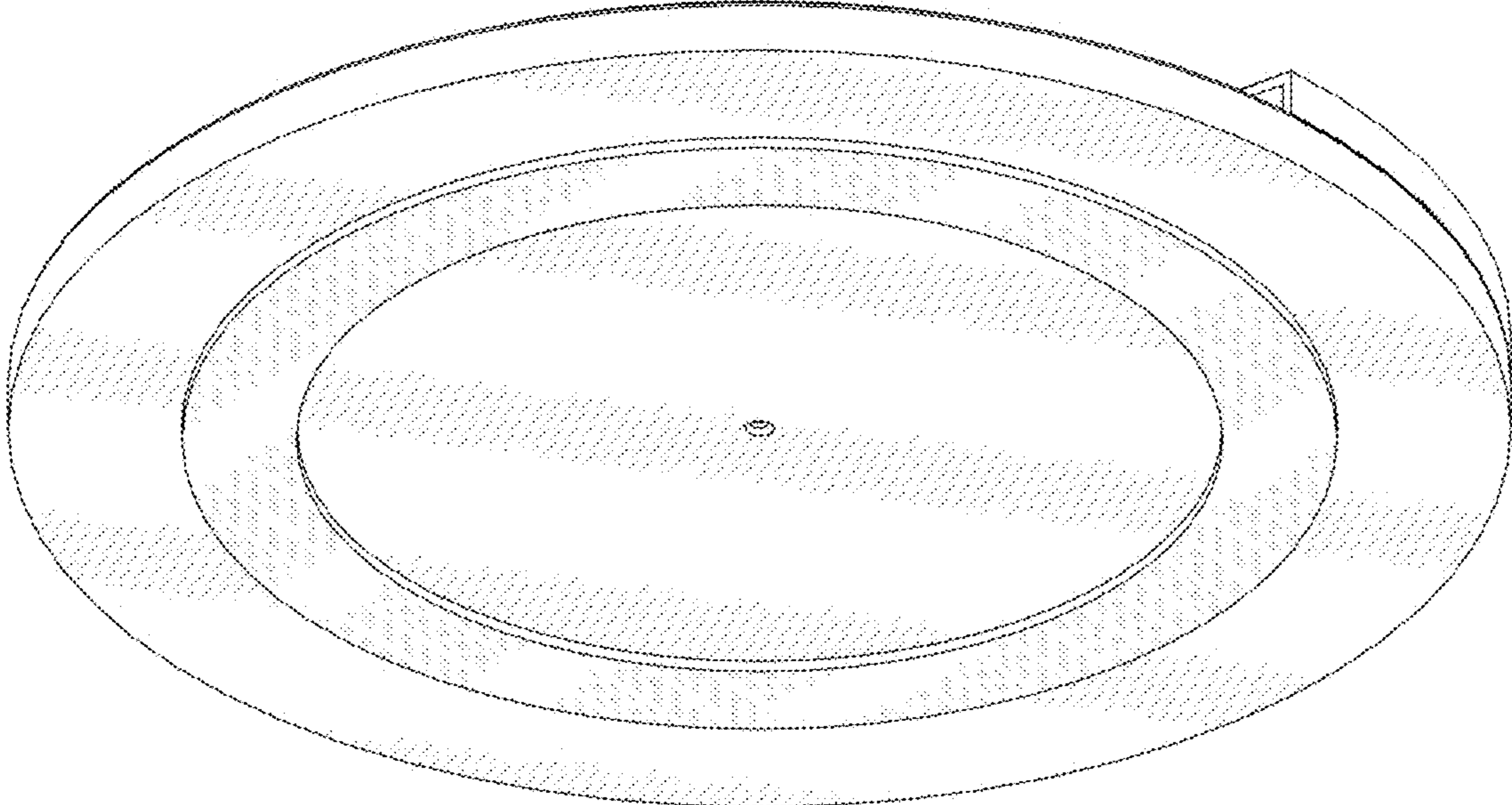


FIG. 6

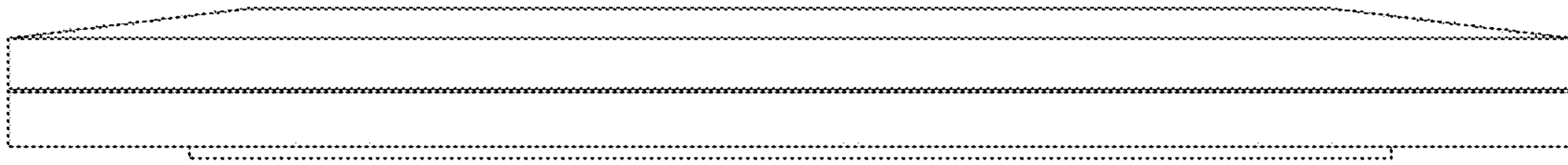


FIG. 7

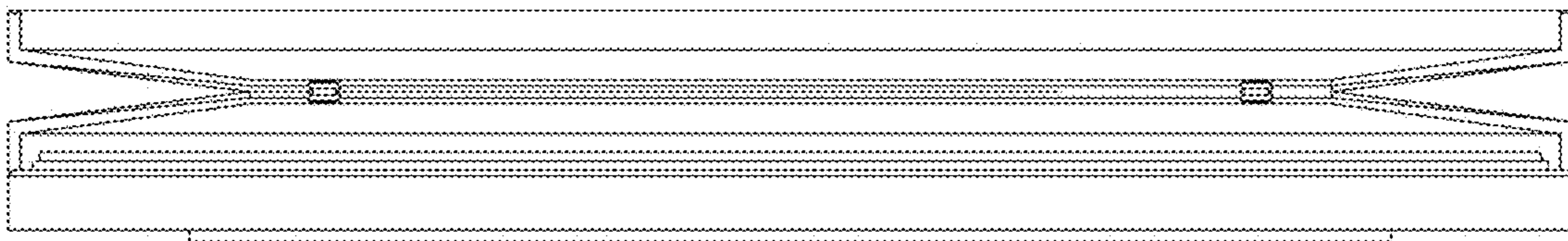


FIG. 8

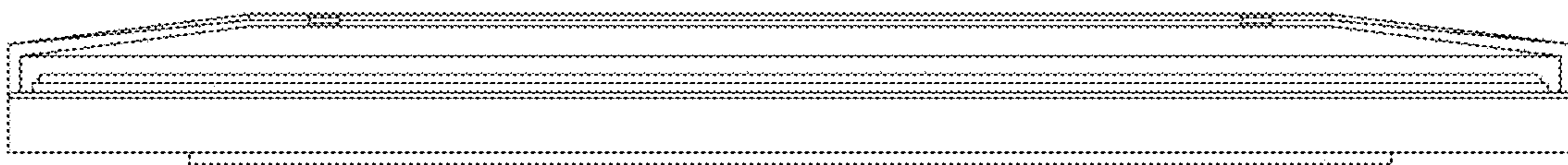


FIG. 9

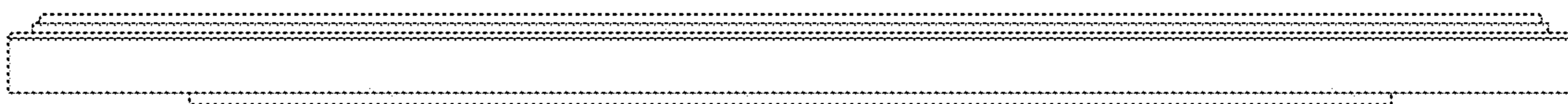


FIG. 10

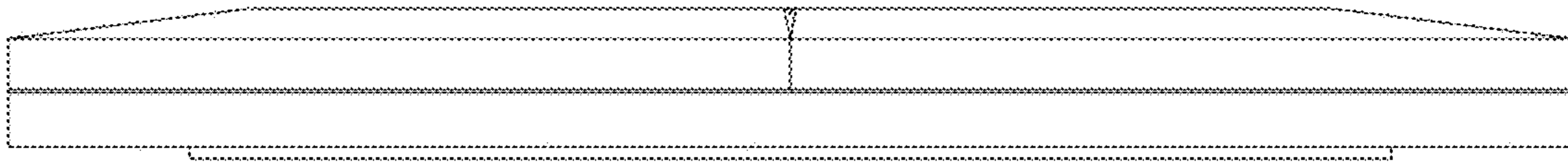


FIG. 11

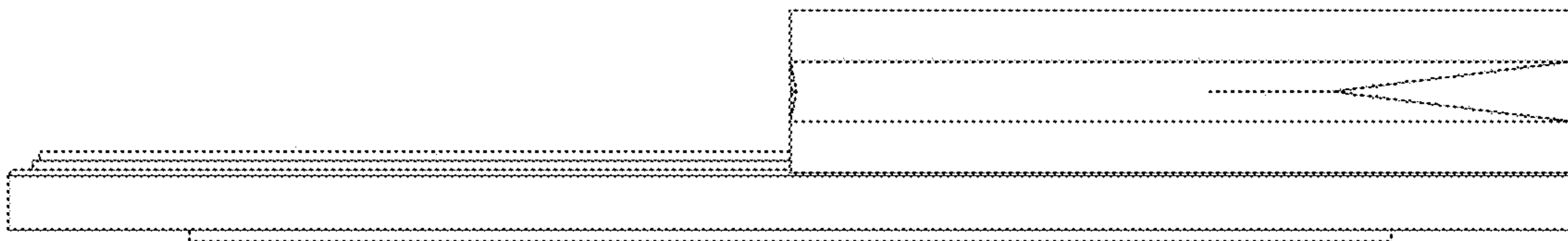


FIG. 12

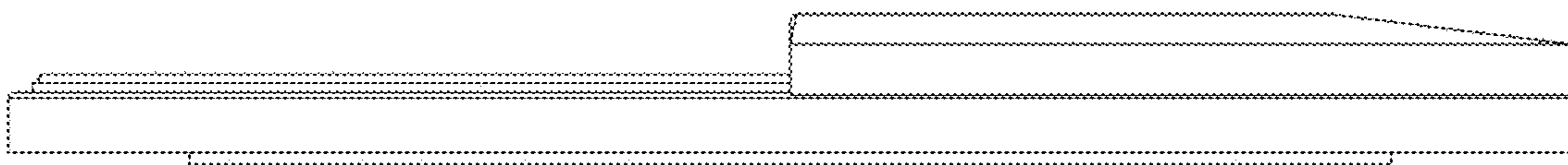


FIG. 13

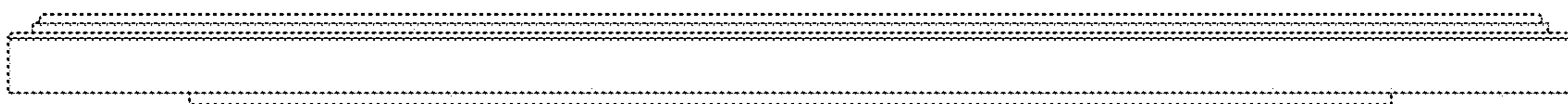


FIG. 14

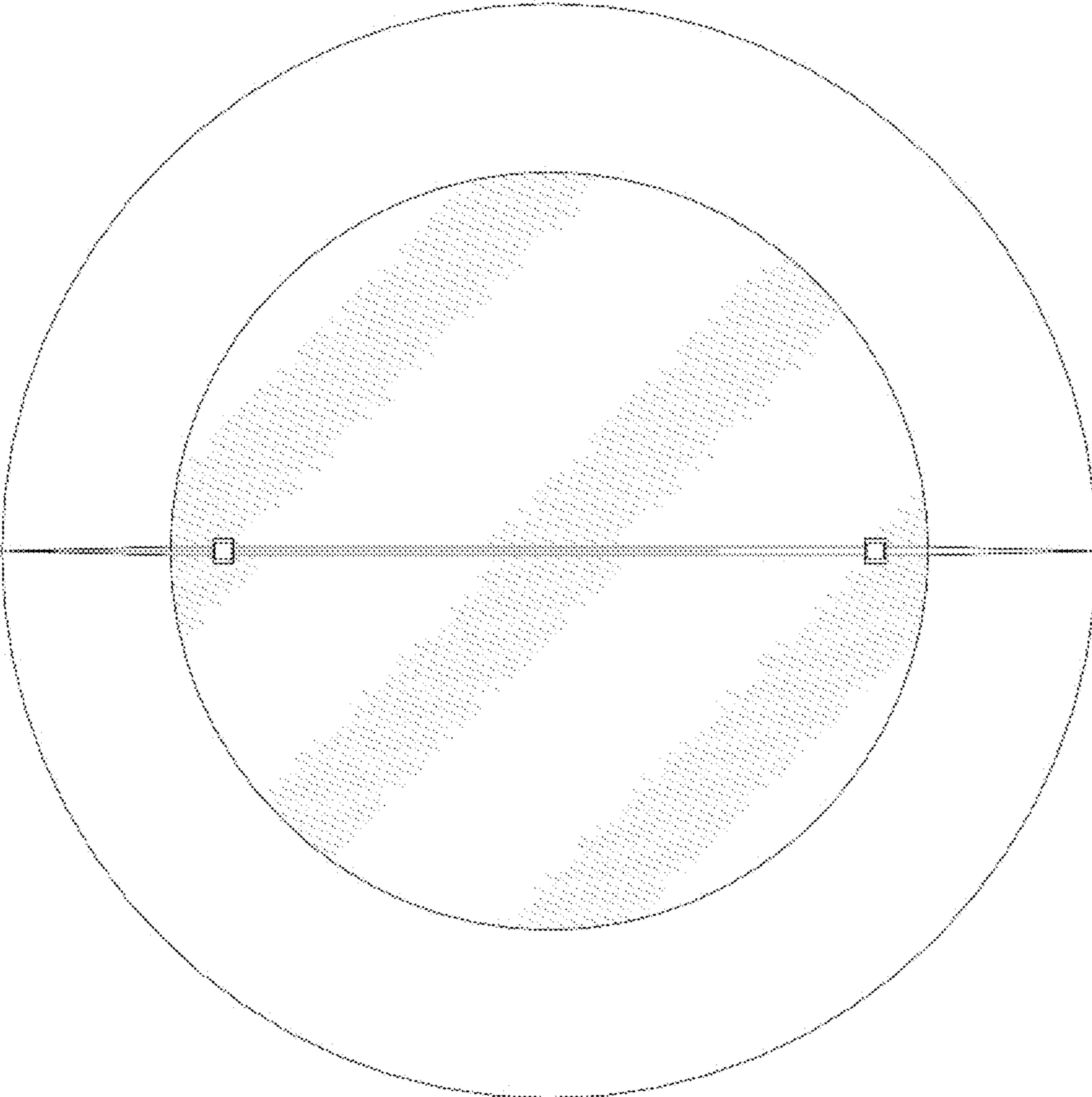


FIG. 15

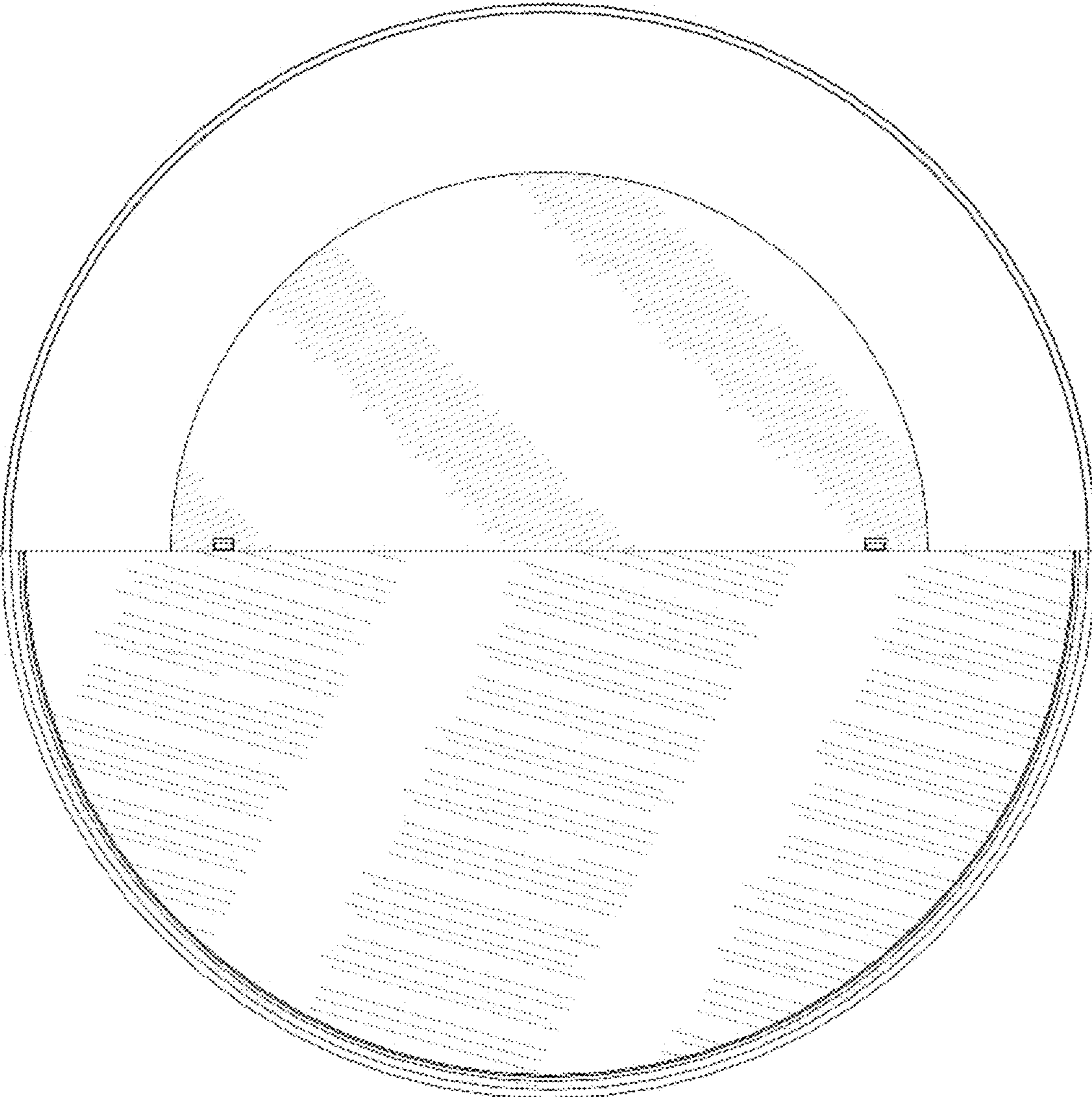


FIG. 16

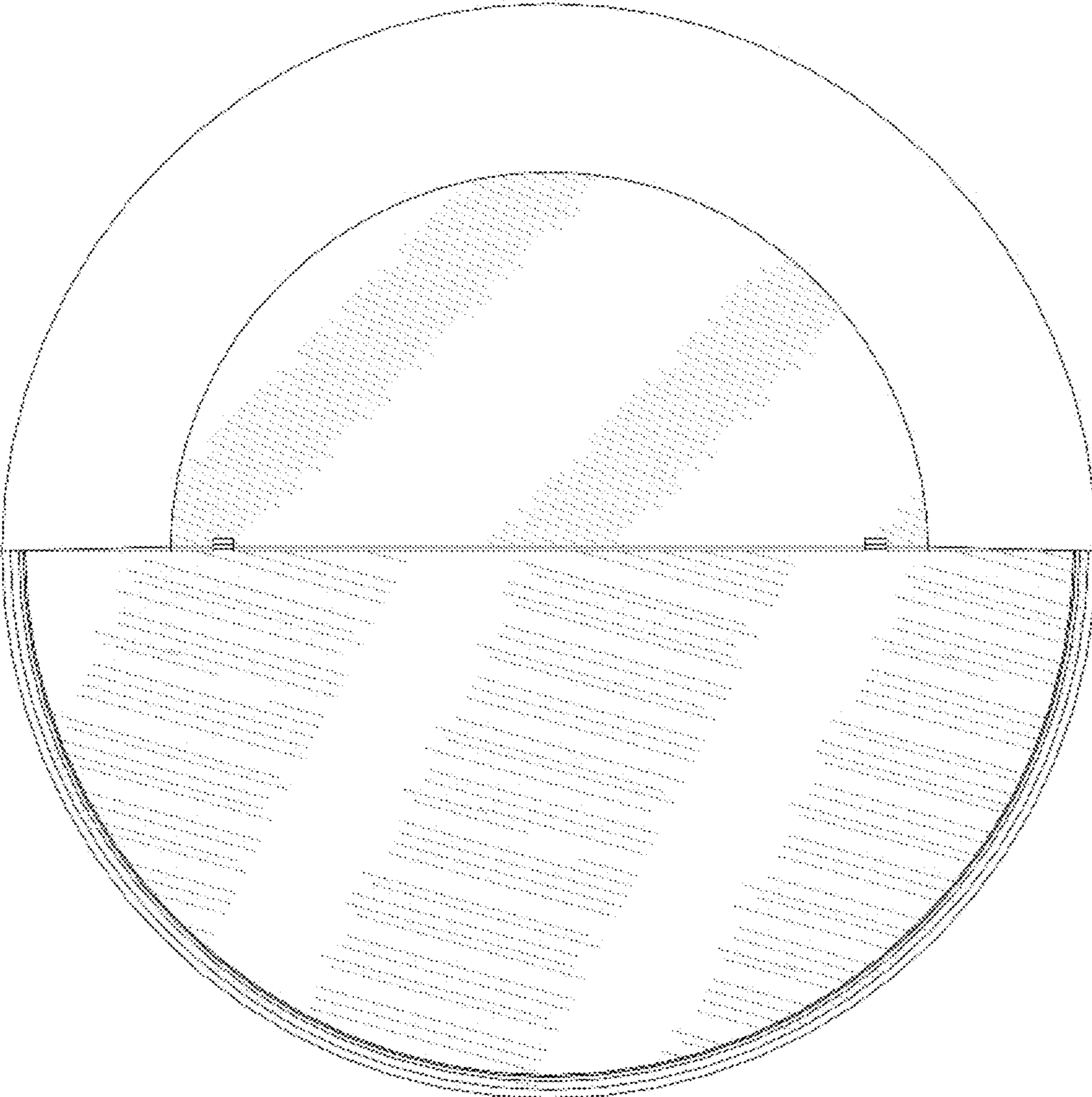


FIG. 17

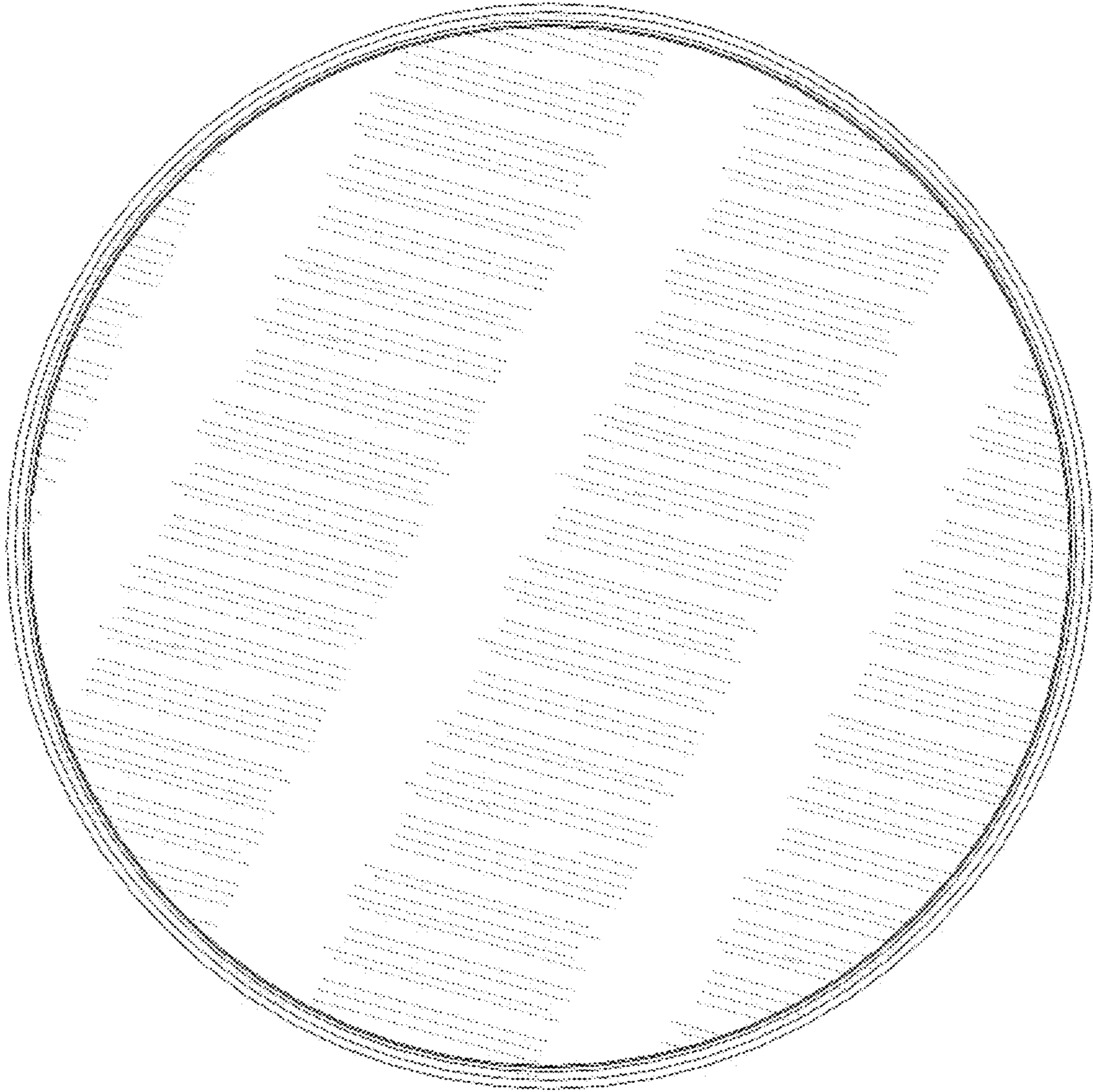


FIG. 18

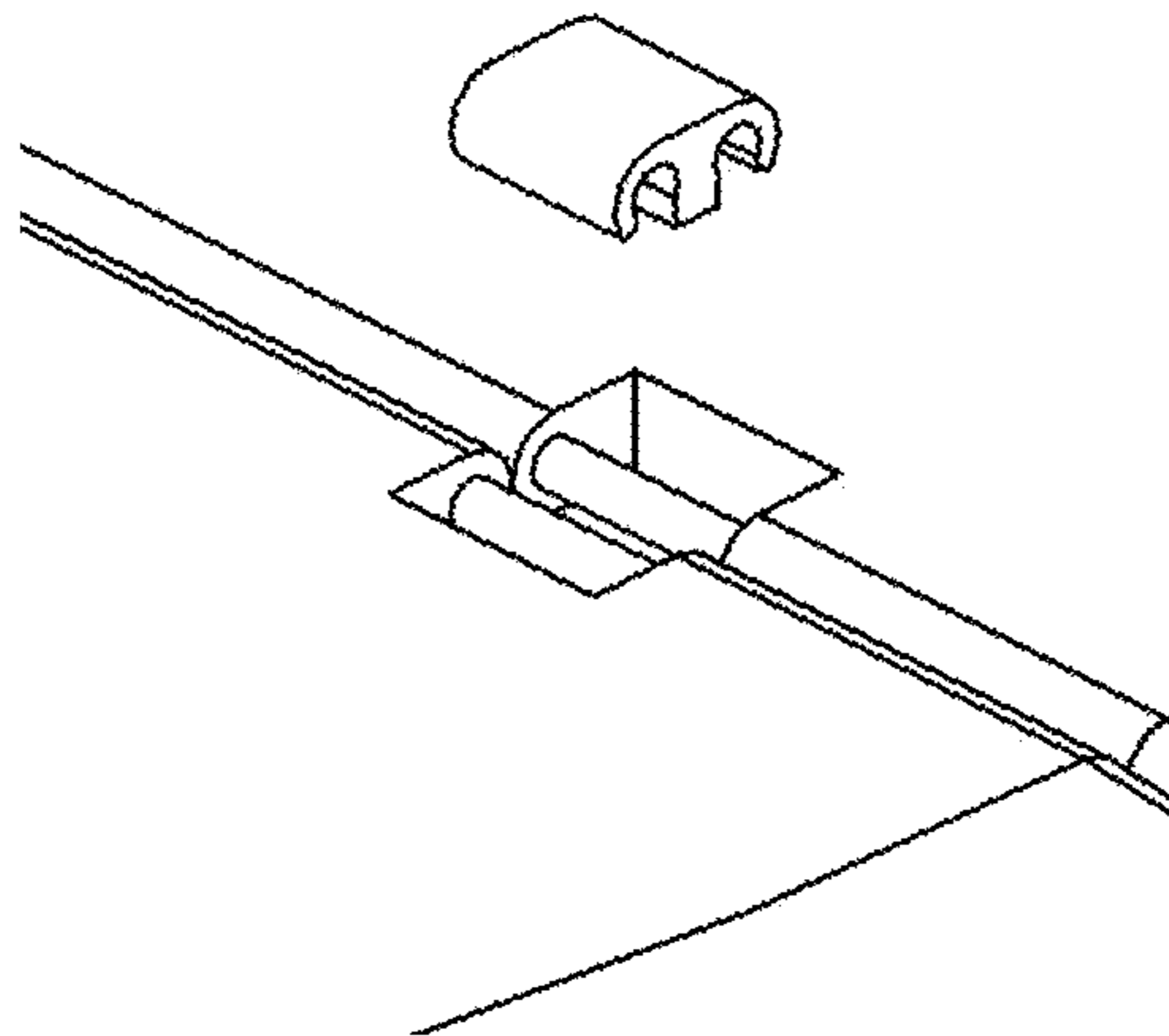


FIG. 19

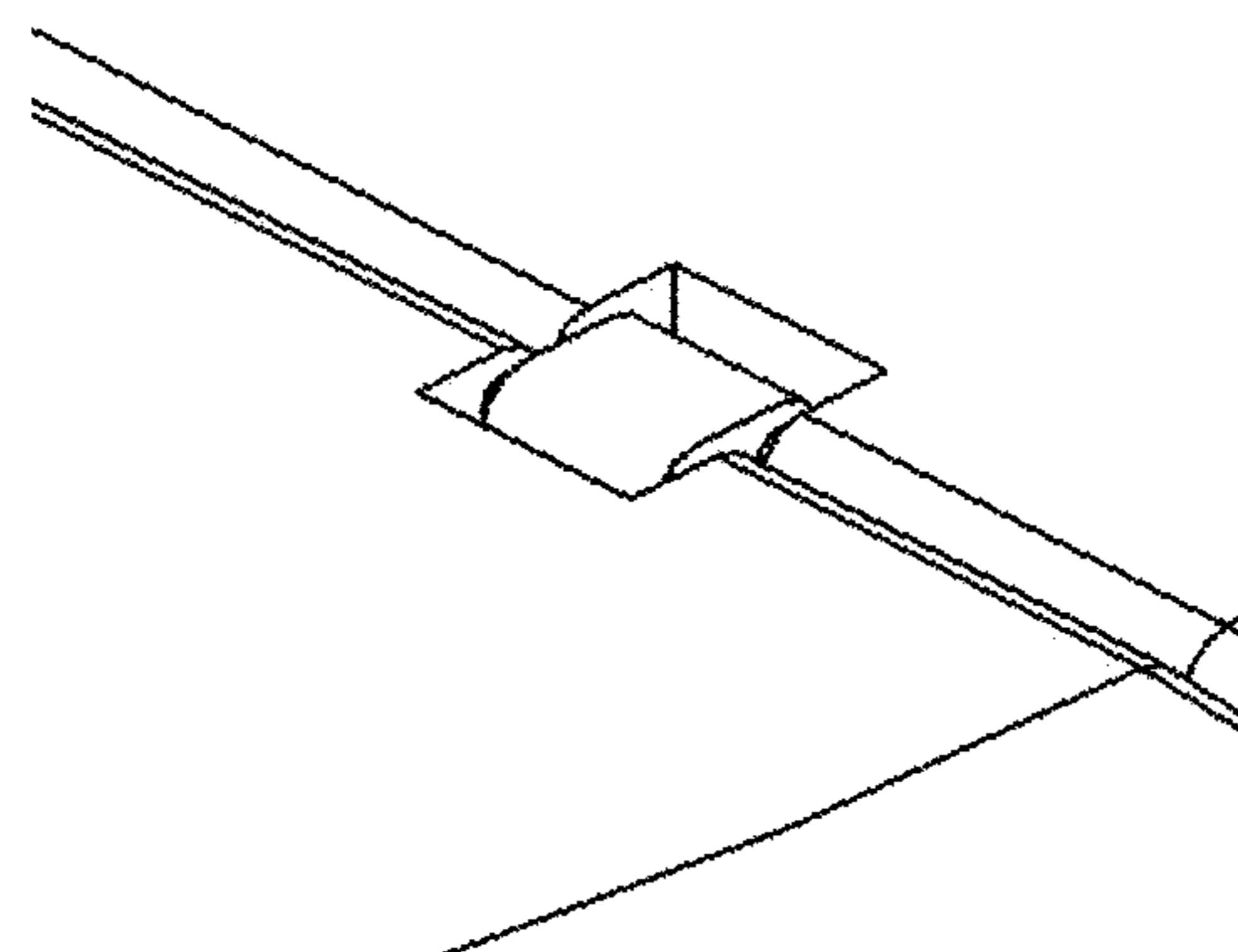


FIG. 20

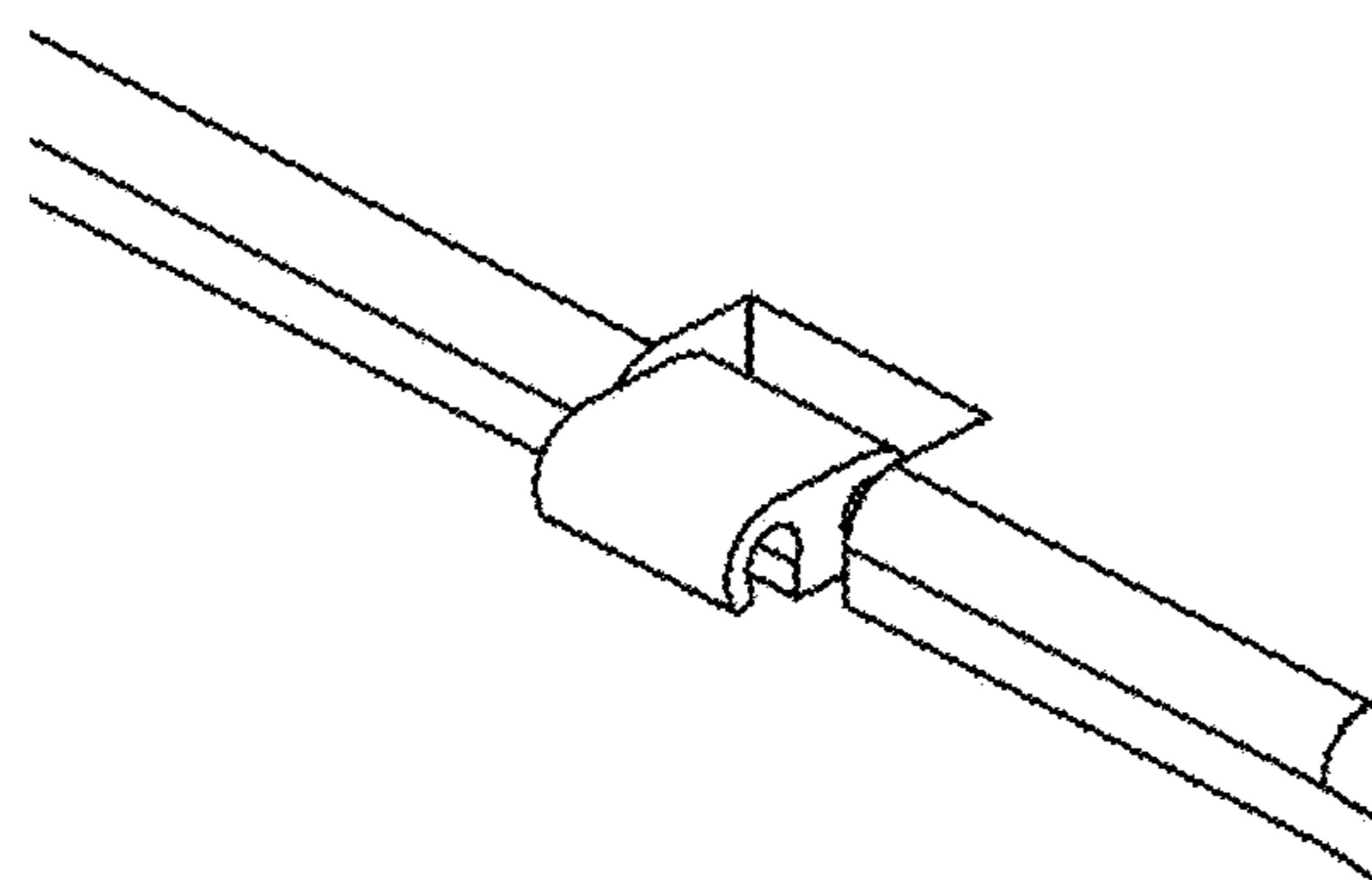


FIG. 21

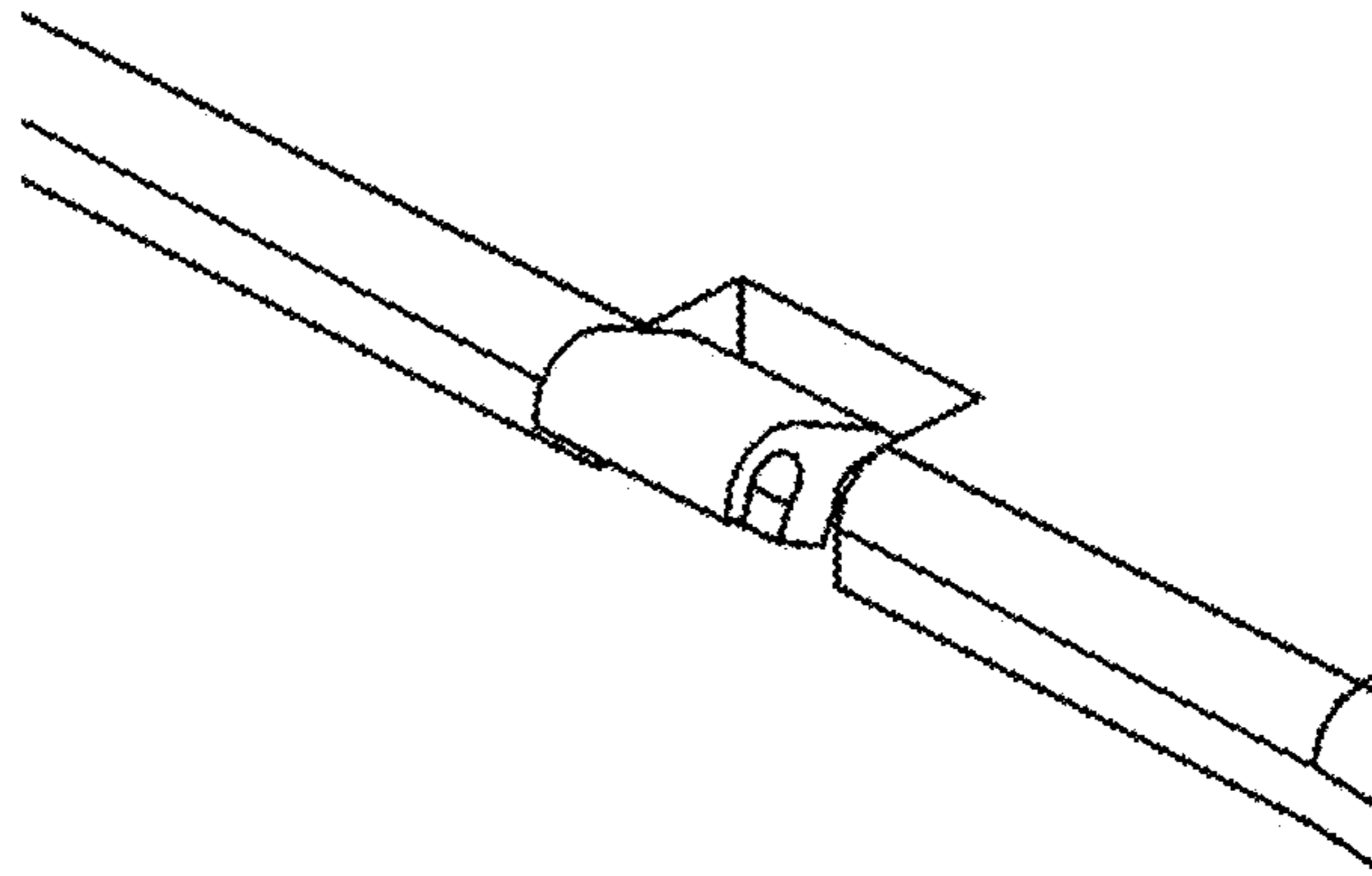


FIG. 22

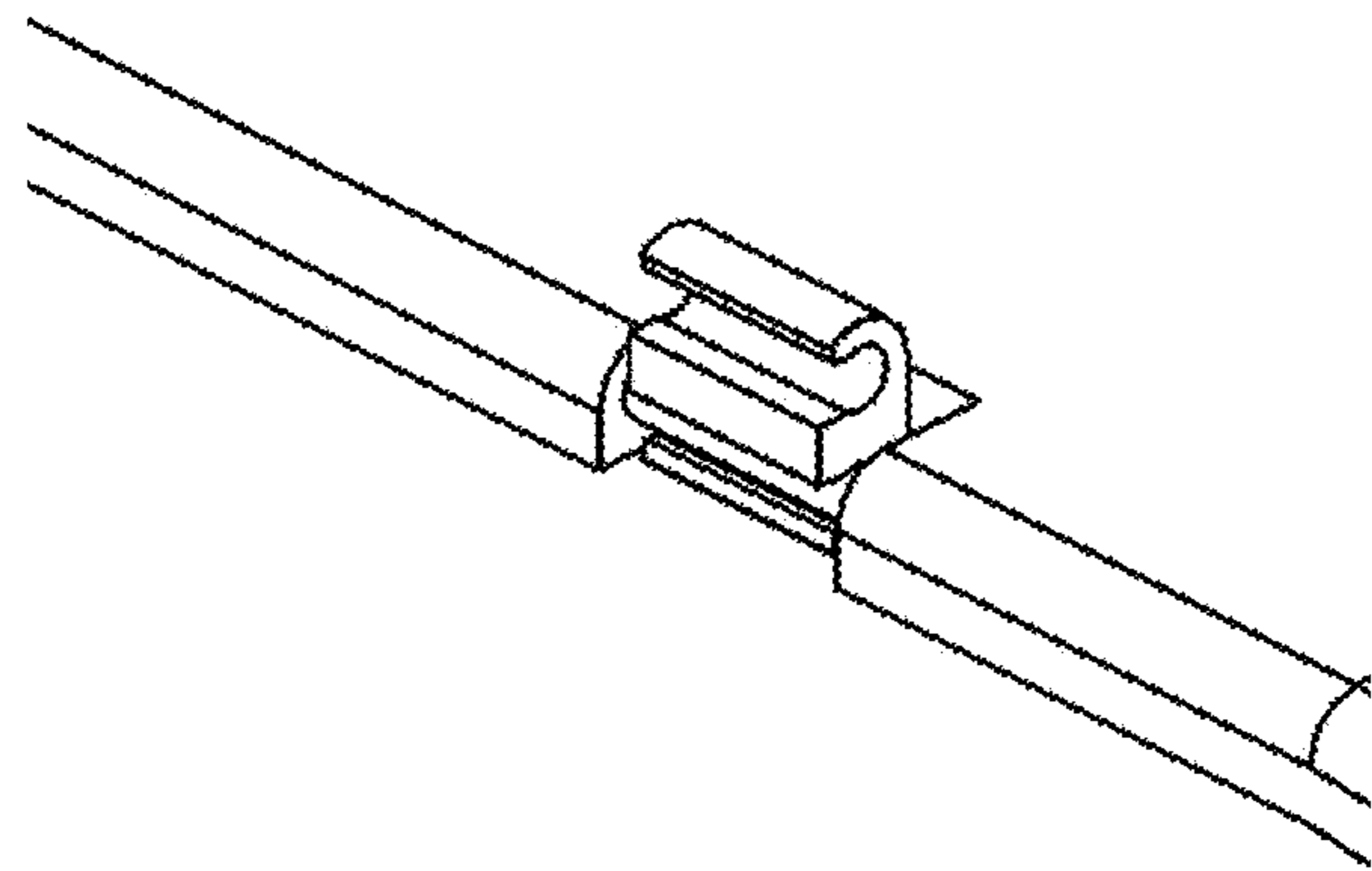


FIG. 23