



US00D903138S

(12) **United States Design Patent** (10) **Patent No.:** **US D903,138 S**  
**Feng** (45) **Date of Patent:** **\*\* Nov. 24, 2020**

(54) **MASSAGER**  
(71) Applicant: **Huijuan Feng**, Linhai (CN)  
(72) Inventor: **Huijuan Feng**, Linhai (CN)  
(\*\*) Term: **15 Years**  
(21) Appl. No.: **29/730,319**  
(22) Filed: **Apr. 2, 2020**  
(51) **LOC (12) Cl.** ..... **28-03**  
(52) **U.S. Cl.**  
USPC ..... **D24/215**  
(58) **Field of Classification Search**  
USPC ..... D24/200, 211, 212, 213, 214, 215;  
D3/229, 300  
CPC ..... A61H 39/04; A61H 2201/1614; A61H  
15/0078; A61H 2201/164; A61H 9/007  
See application file for complete search history.

D866,787 S \* 11/2019 Zhang ..... D24/215  
D866,788 S \* 11/2019 Zhang ..... D24/215  
D871,601 S \* 12/2019 Zhang ..... D24/215  
D871,602 S \* 12/2019 Zhang ..... D24/215  
D872,291 S \* 1/2020 Ben-Noon ..... D24/200  
2009/0241255 A1 10/2009 Elnar  
2012/0041351 A1\* 2/2012 Nolan ..... A61F 13/085  
602/13  
2014/0276294 A1\* 9/2014 Mansur, Jr. .... A61H 9/0092  
601/152  
2015/0080775 A1\* 3/2015 Papadopoulos ..... A61H 9/0092  
601/151  
2015/0182410 A1\* 7/2015 Burris ..... A61H 9/0078  
601/151

(Continued)

*Primary Examiner* — Cynthia Ramirez  
*Assistant Examiner* — Michael A Maharajh

(57) **CLAIM**

The ornamental design for a massager, as shown and described.

(56) **References Cited**

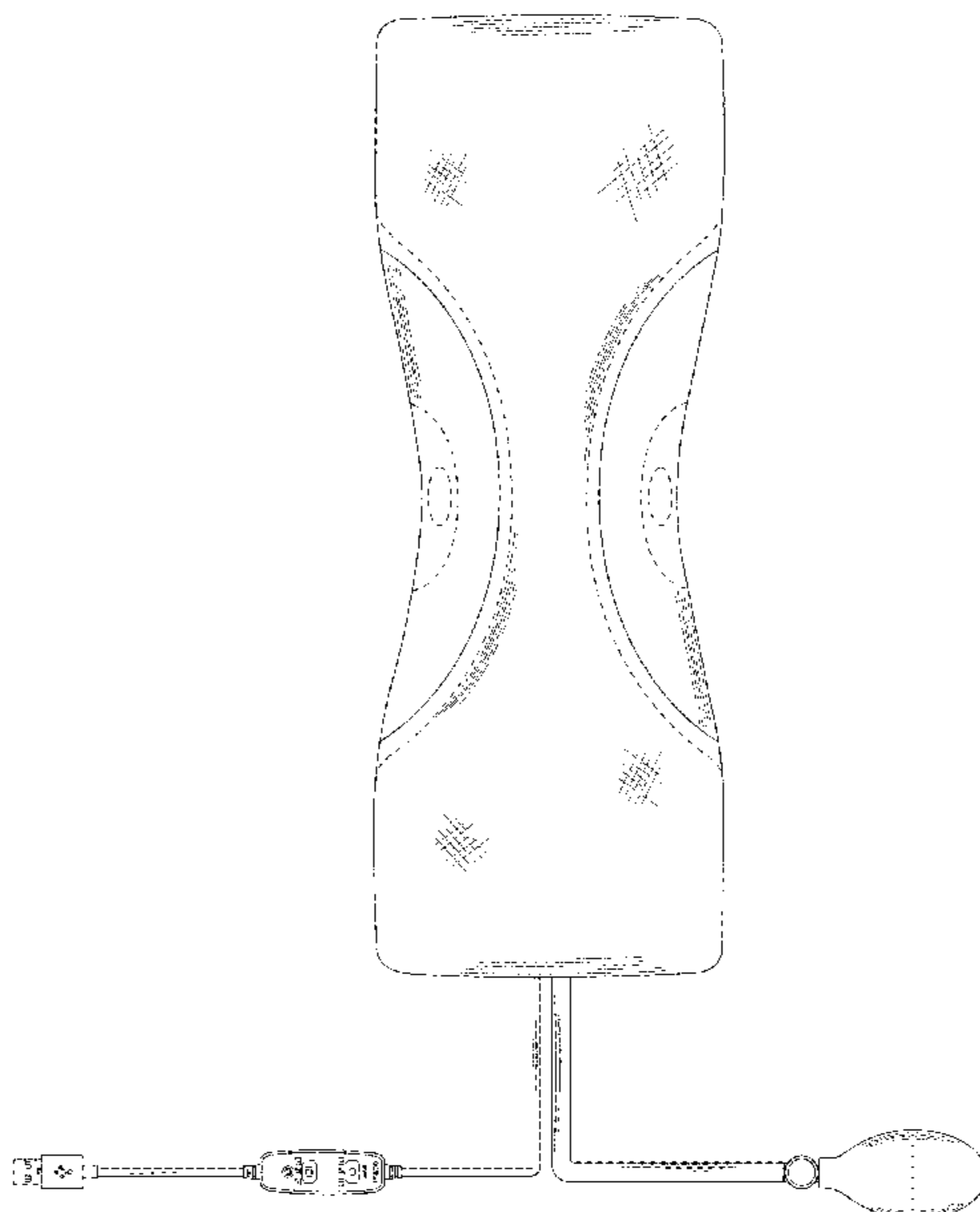
**U.S. PATENT DOCUMENTS**

D360,036 S \* 7/1995 Doria ..... D24/200  
D373,424 S \* 9/1996 Colsen ..... D24/200  
D389,584 S \* 1/1998 Leventhal ..... D24/200  
D393,317 S \* 4/1998 Lange ..... D24/215  
D397,225 S \* 8/1998 Lange ..... D24/215  
D609,818 S \* 2/2010 Tsang ..... D24/215  
D612,947 S \* 3/2010 Turtzo ..... D24/206  
D649,655 S \* 11/2011 Petersen ..... D24/215  
8,177,734 B2 \* 5/2012 Vess ..... A61H 23/04  
601/149  
D703,827 S \* 4/2014 Lee ..... D24/215  
D735,876 S \* 8/2015 Wolff ..... D24/215  
D750,794 S \* 3/2016 Guarraia ..... D24/200  
D751,214 S \* 3/2016 Guarraia ..... D24/200  
D751,722 S \* 3/2016 Guarraia ..... D24/200  
D752,766 S \* 3/2016 Guarraia ..... D24/200  
D816,858 S \* 5/2018 Gan ..... D24/215  
D831,217 S \* 10/2018 Geissen ..... D24/168  
D853,577 S \* 7/2019 Li ..... D24/215

**DESCRIPTION**

FIG. 1 is a front elevational view of a massager showing my new design;  
FIG. 2 is a rear elevational view thereof;  
FIG. 3 is a left side elevational view thereof;  
FIG. 4 is a right side elevational view thereof;  
FIG. 5 is a bottom plan view thereof;  
FIG. 6 is a top plan view thereof; and,  
FIG. 7 is a perspective view thereof.  
The cross-hatching shading in the figures is fragmentarily shown for convenience of illustration, it being understood that the cross-hatching shading is uniformly continued over the surface on which it appears.  
The broken lines in the drawings are for the purpose of illustrating portions of the massager that form no part of the claimed design.

**1 Claim, 7 Drawing Sheets**



(56)

**References Cited**

U.S. PATENT DOCUMENTS

2015/0272814 A1 10/2015 Chen  
2016/0045390 A1\* 2/2016 Tally ..... G05D 7/0641  
137/565.18

\* cited by examiner

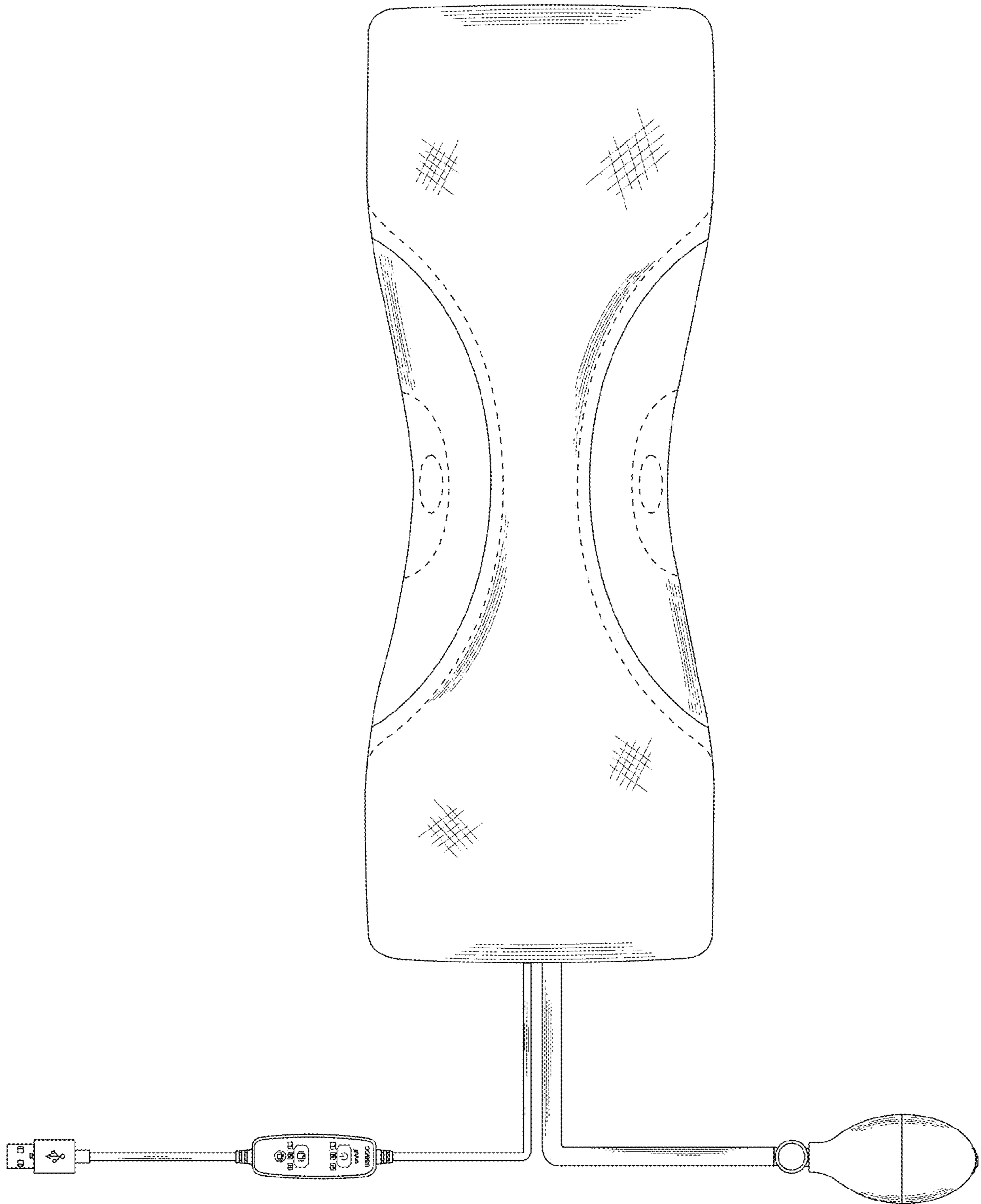


FIG. 1

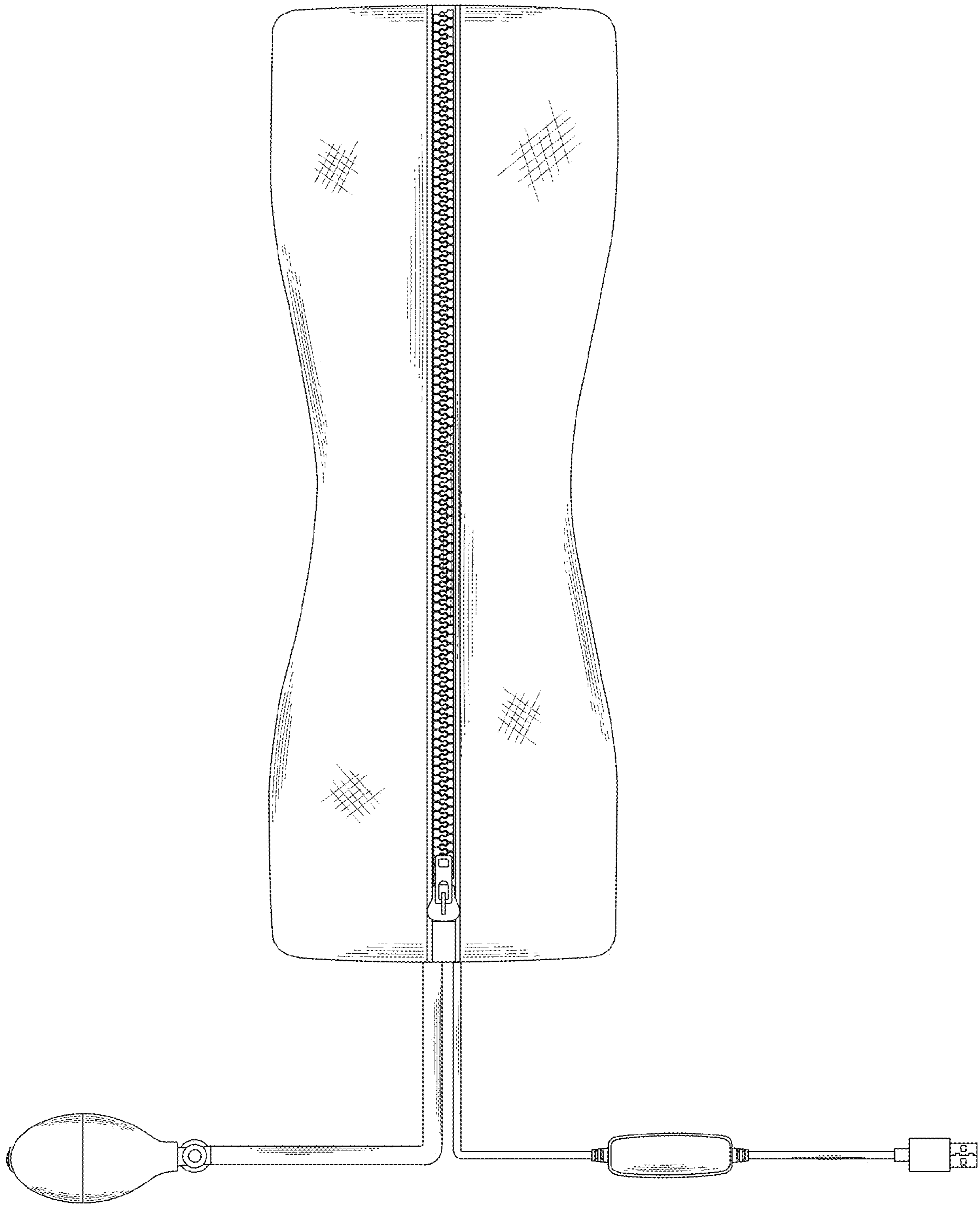


FIG. 2

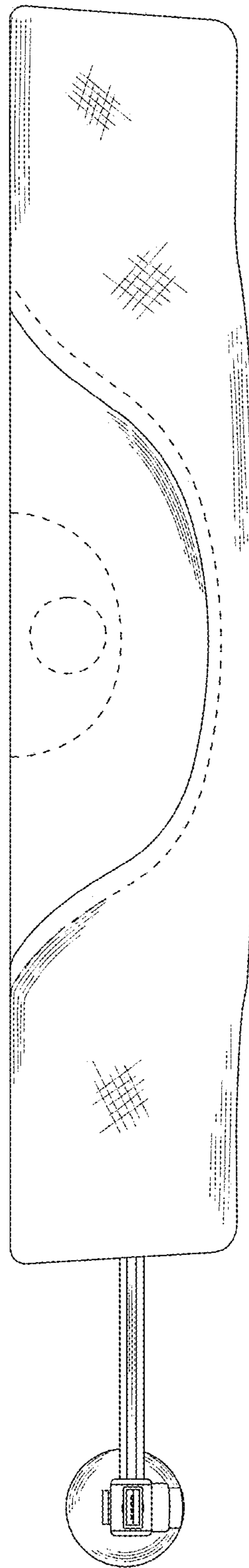


FIG. 3

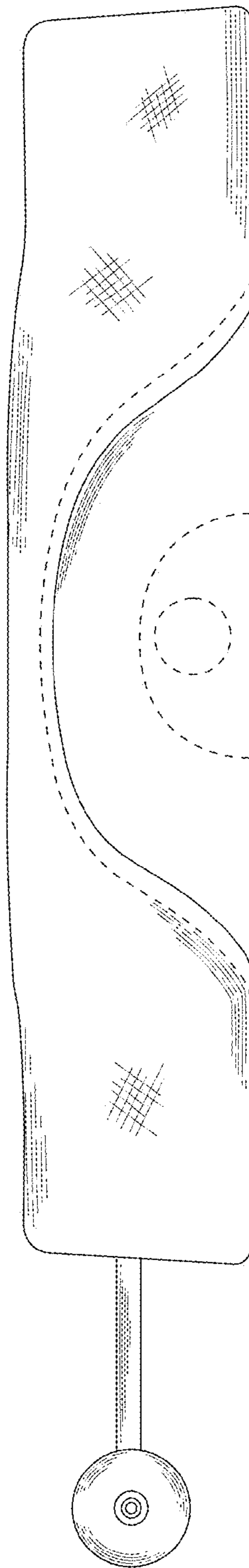


FIG. 4

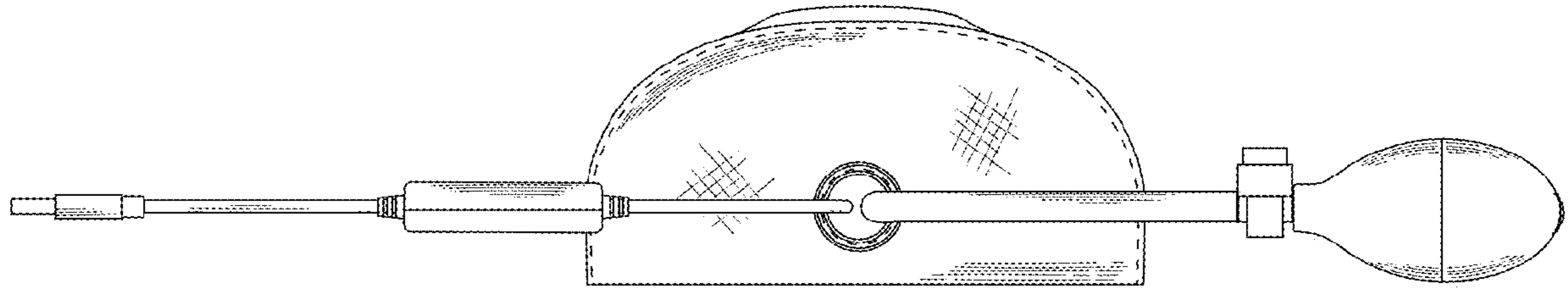


FIG. 5

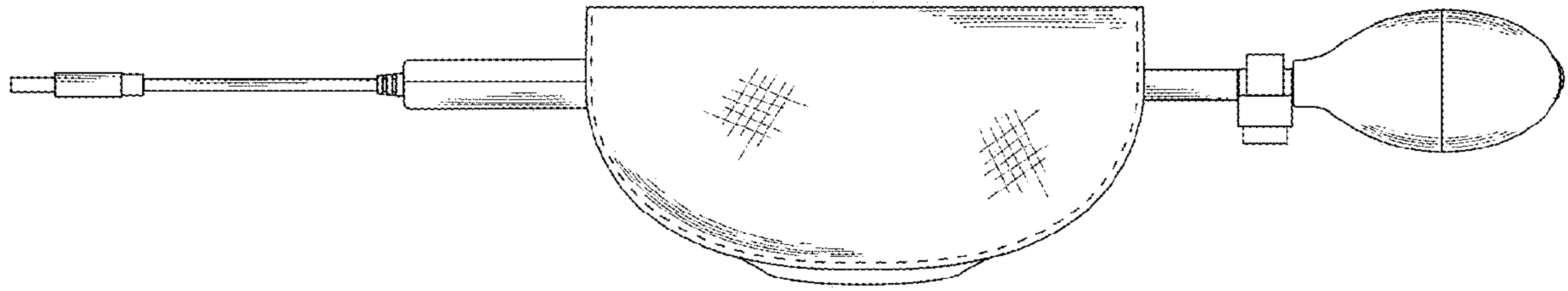


FIG. 6



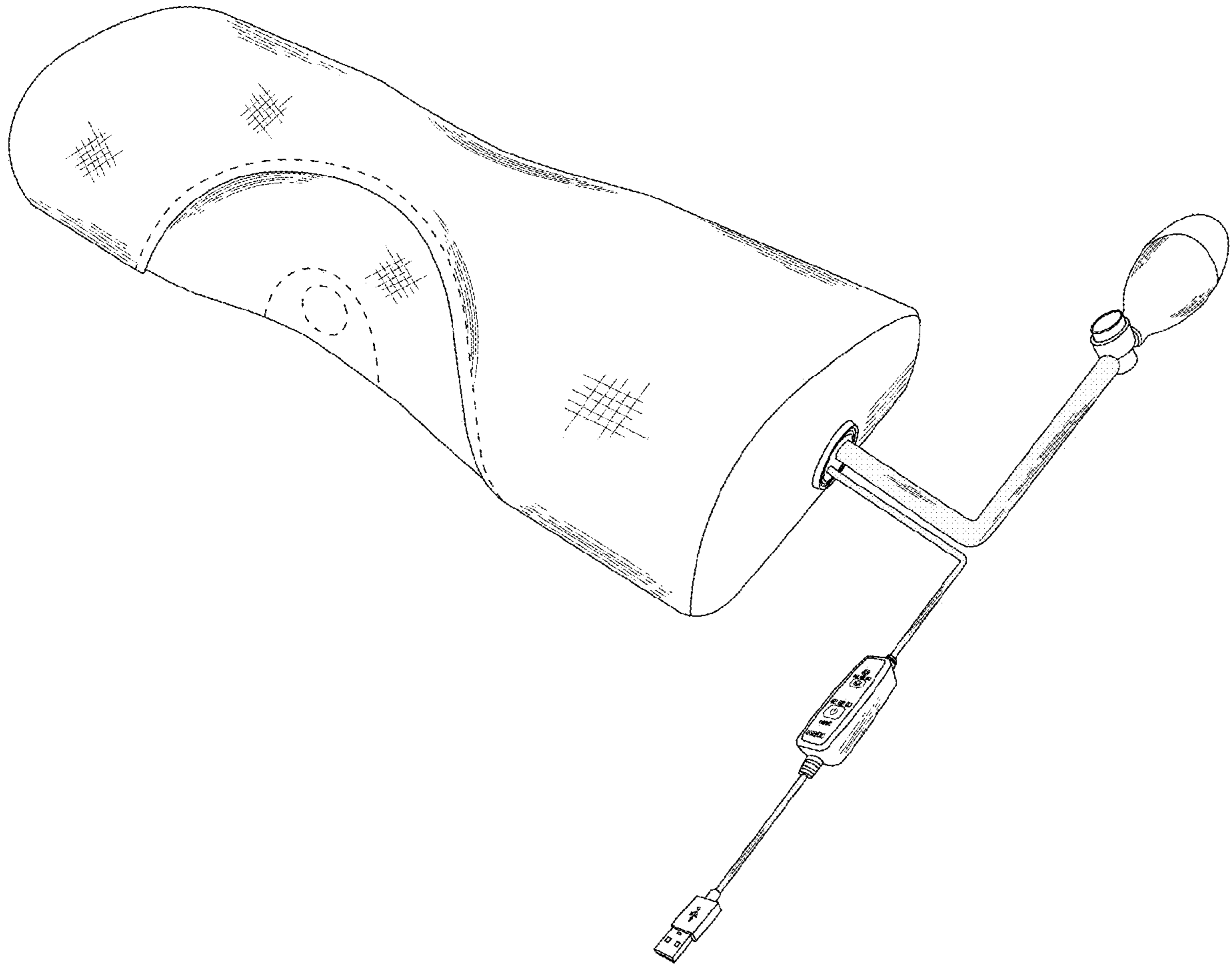


FIG. 7