



US00D903136S

(12) **United States Design Patent** (10) **Patent No.:** **US D903,136 S**  
**Xiao** (45) **Date of Patent:** **\*\* Nov. 24, 2020**

(54) **PHOTOTHERAPY LAMP**

(71) Applicant: **Lulin Xiao**, Hunan (CN)

(72) Inventor: **Lulin Xiao**, Hunan (CN)

(\*\*) Term: **15 Years**

(21) Appl. No.: **29/745,735**

(22) Filed: **Aug. 7, 2020**

(51) **LOC (12) Cl.** ..... **28-03**

(52) **U.S. Cl.**  
USPC ..... **D24/210**

(58) **Field of Classification Search**  
USPC ..... D24/107, 186, 200, 209, 210, 231;  
D26/93, 104, 106, 120; D14/341, 138 R;  
D6/308-312

CPC .... A61N 5/062; A61N 5/0614; A61N 5/0616;  
A61N 5/0617; A61N 5/0618; A61N  
5/0624; A61N 5/0627; A61N 5/0625;  
A61N 2005/0643; A61N 2005/0644;  
A61N 2005/0645; A61N 2005/0647;  
A61N 2005/0651; A61N 2005/0652;  
A61N 2005/0654; A61N 2005/0662;  
A61B 2018/00452; A61B 2018/1807

See application file for complete search history.

(56) **References Cited**

**U.S. PATENT DOCUMENTS**

D599,485 S \* 9/2009 Burrows ..... D24/209  
D641,490 S \* 7/2011 Fernie ..... D24/210  
D704,851 S \* 5/2014 Douglas ..... D24/209

D736,942 S \* 8/2015 Hagenauer ..... D24/210  
D736,943 S 8/2015 Hagenauer  
D760,398 S \* 6/2016 Douglas ..... D24/210  
D807,522 S \* 1/2018 Berke ..... D24/210  
D831,651 S 10/2018 Bao  
D857,219 S 8/2019 Chew  
D875,265 S \* 2/2020 Li ..... D24/210  
D879,984 S \* 3/2020 Hu ..... D24/209  
D893,039 S \* 8/2020 Harmon ..... D24/209  
2007/0129777 A1\* 6/2007 Bolta ..... A61N 5/0618  
607/88

\* cited by examiner

*Primary Examiner* — Anhdao Doan

(74) *Attorney, Agent, or Firm* — ScienBiziP, P.C.

(57) **CLAIM**

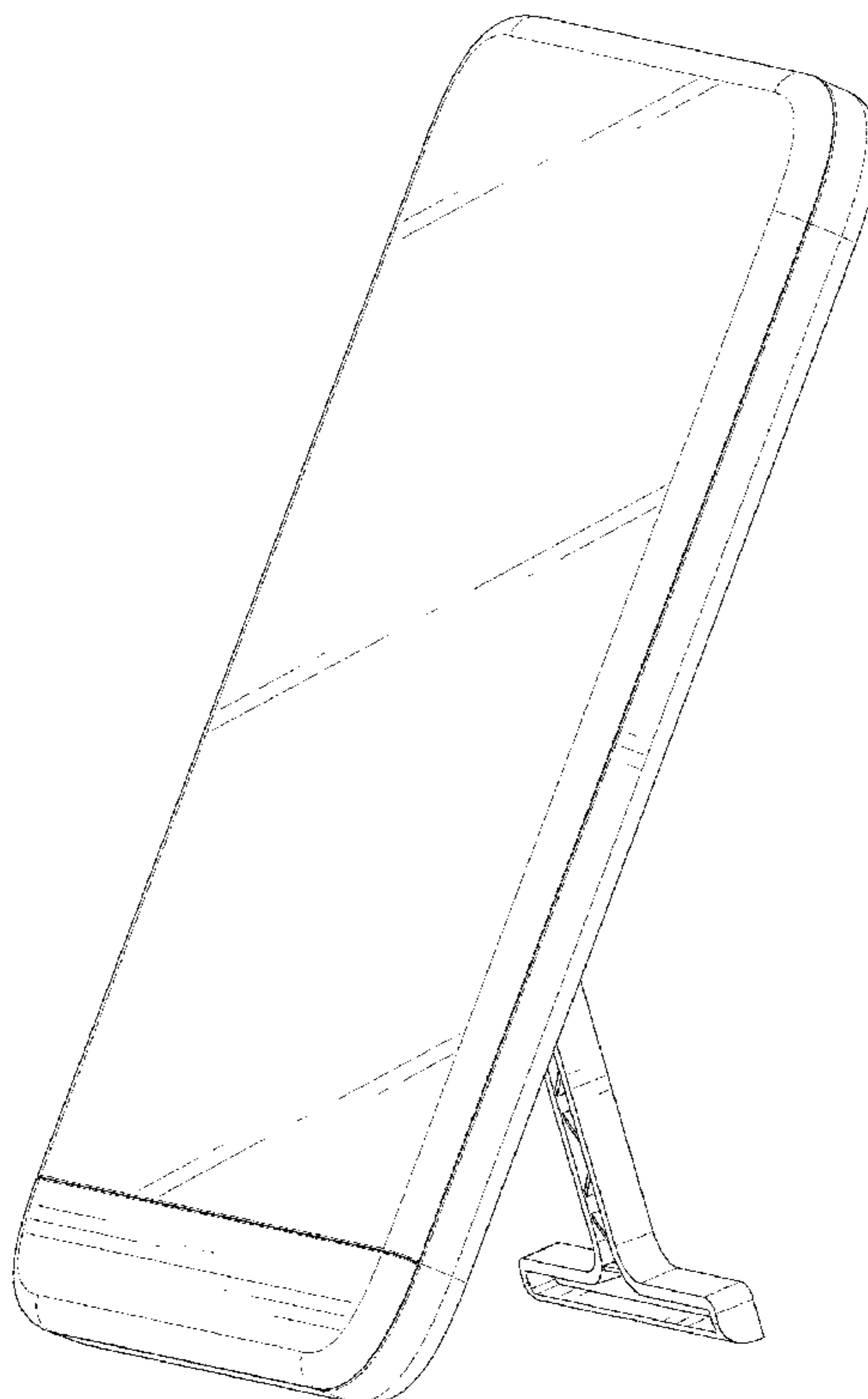
The ornamental design for a phototherapy lamp, as shown and described.

**DESCRIPTION**

FIG. 1 is a front perspective view of a phototherapy lamp, showing my design;  
FIG. 2 is a rear perspective view thereof;  
FIG. 3 is a front elevation view thereof;  
FIG. 4 is a rear elevation view thereof;  
FIG. 5 is a left side elevation view thereof;  
FIG. 6 is a right side elevation view thereof;  
FIG. 7 is a top plan view thereof; and,  
FIG. 8 is a bottom plan view thereof.

The broken lines in FIGS. 1 and 3 illustrate a portion of the phototherapy lamp that forms no part of the claimed design; the broken lines form no part of the claimed design.

**1 Claim, 8 Drawing Sheets**



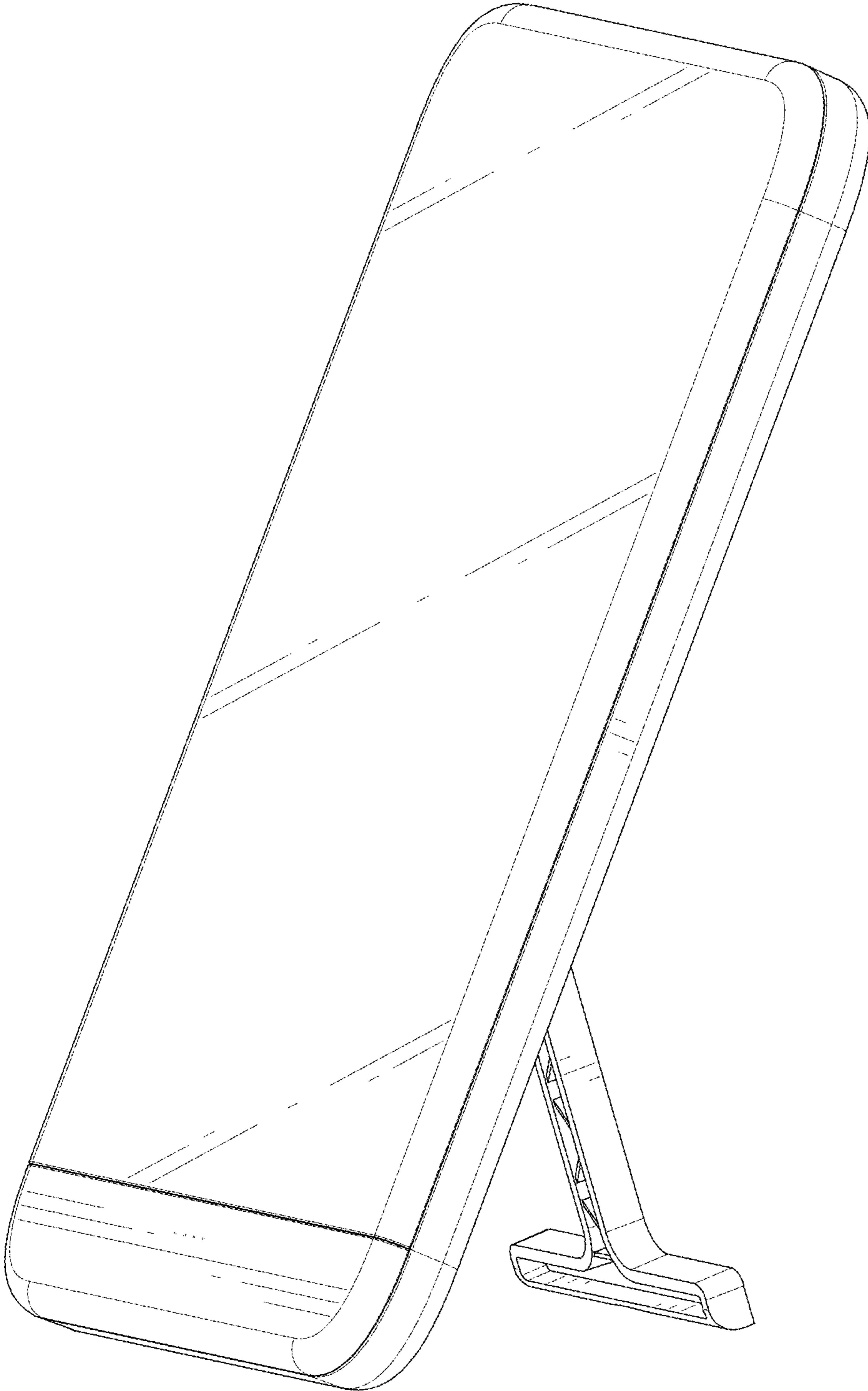


FIG.1

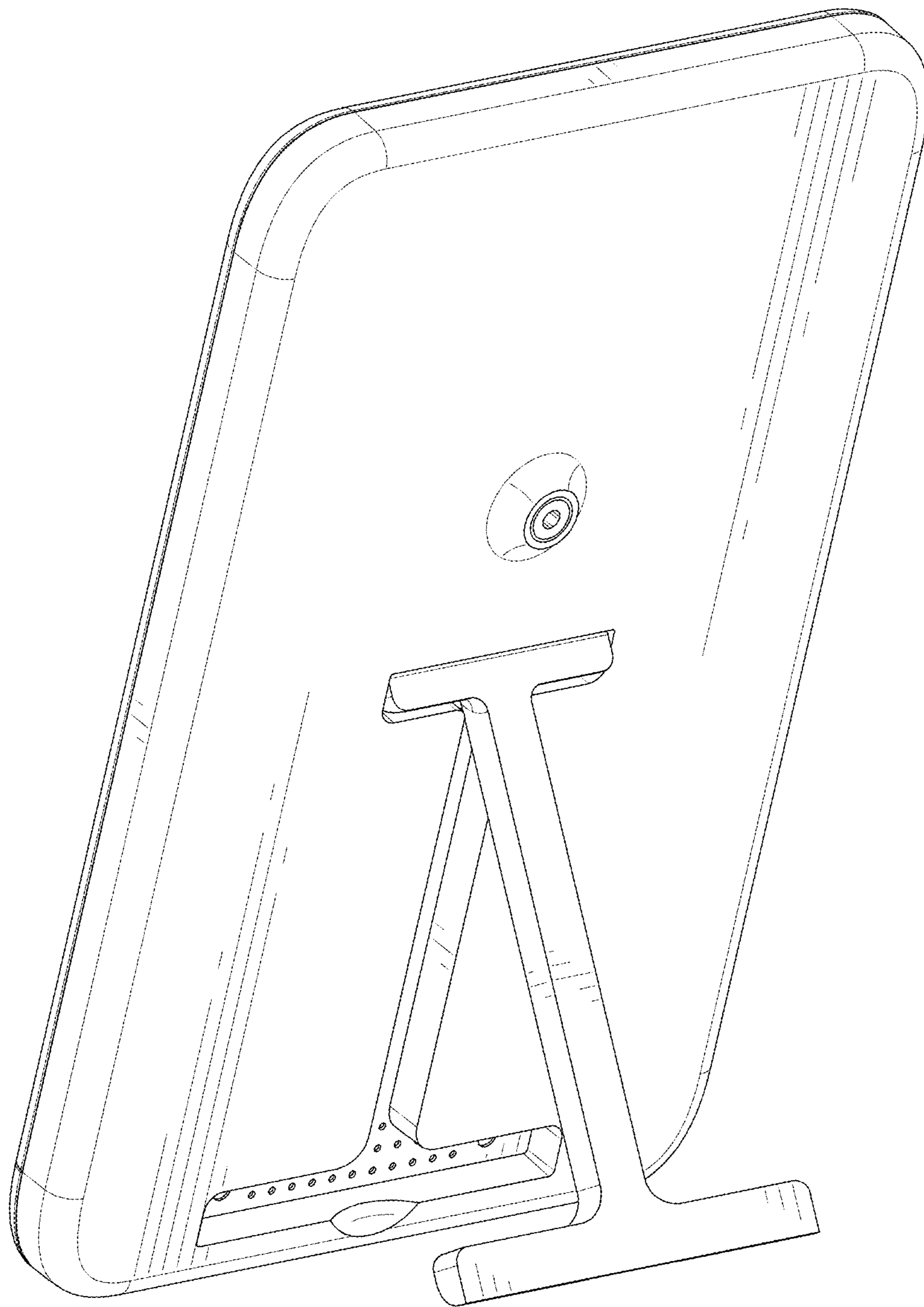


FIG.2

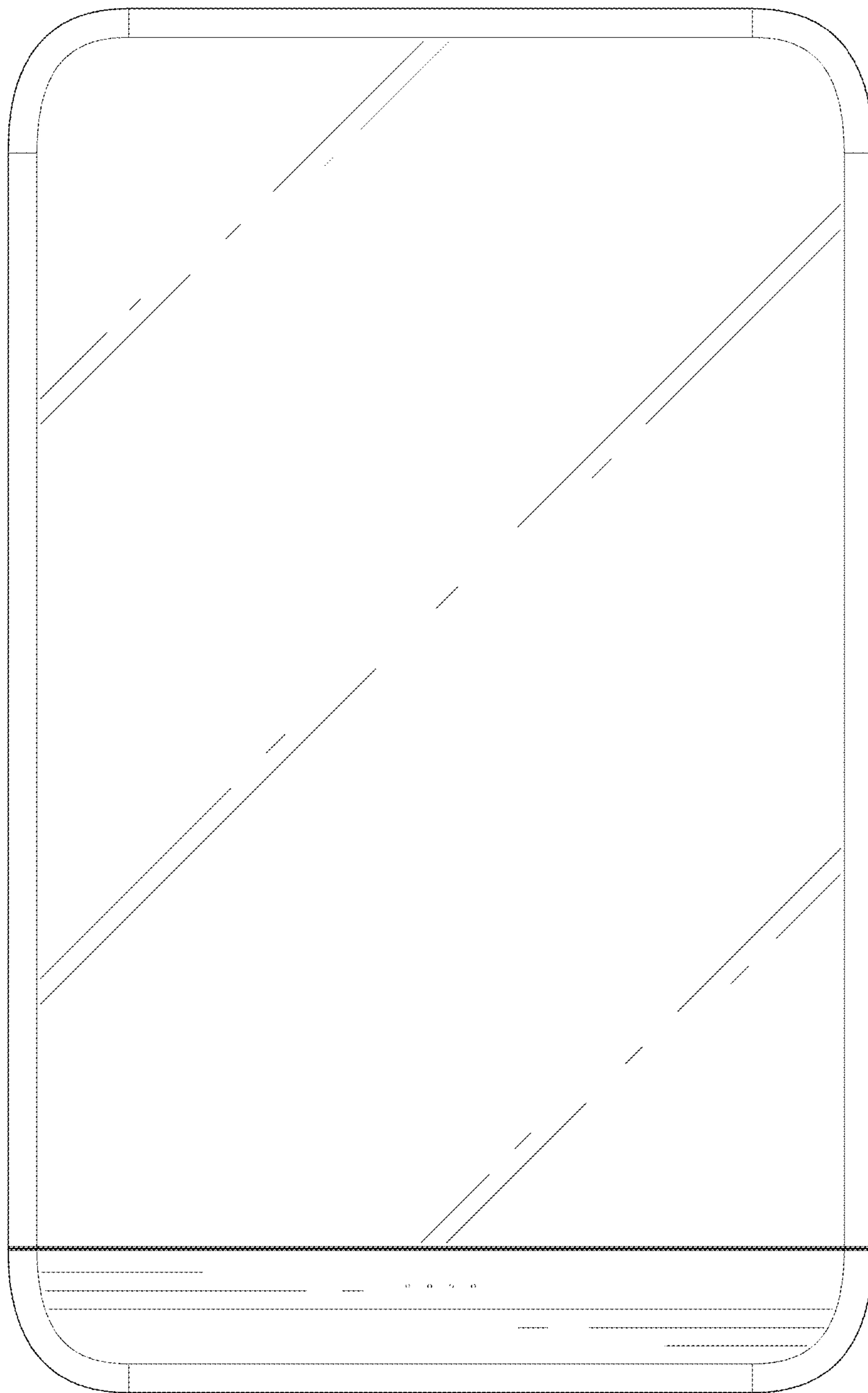


FIG.3

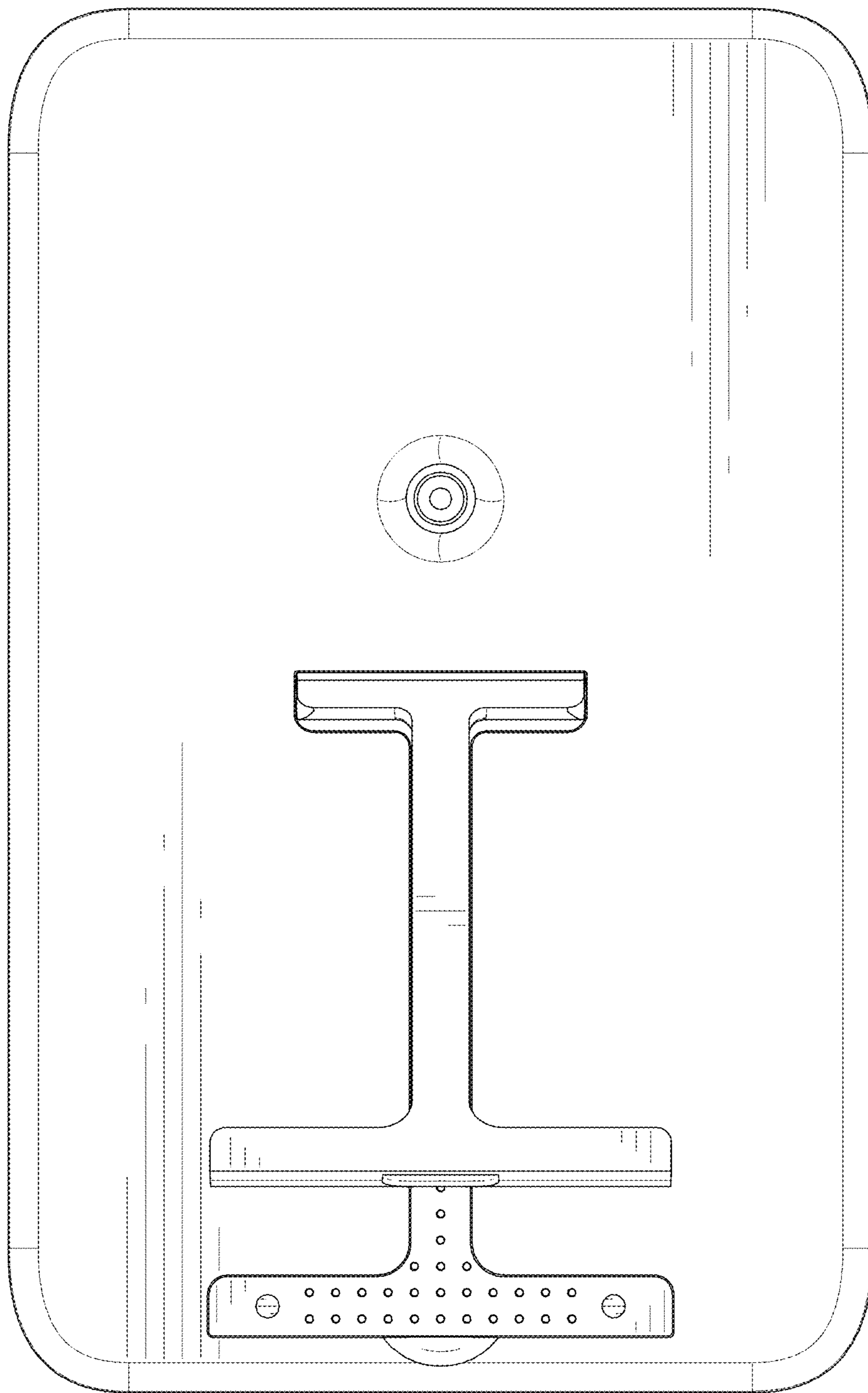


FIG.4

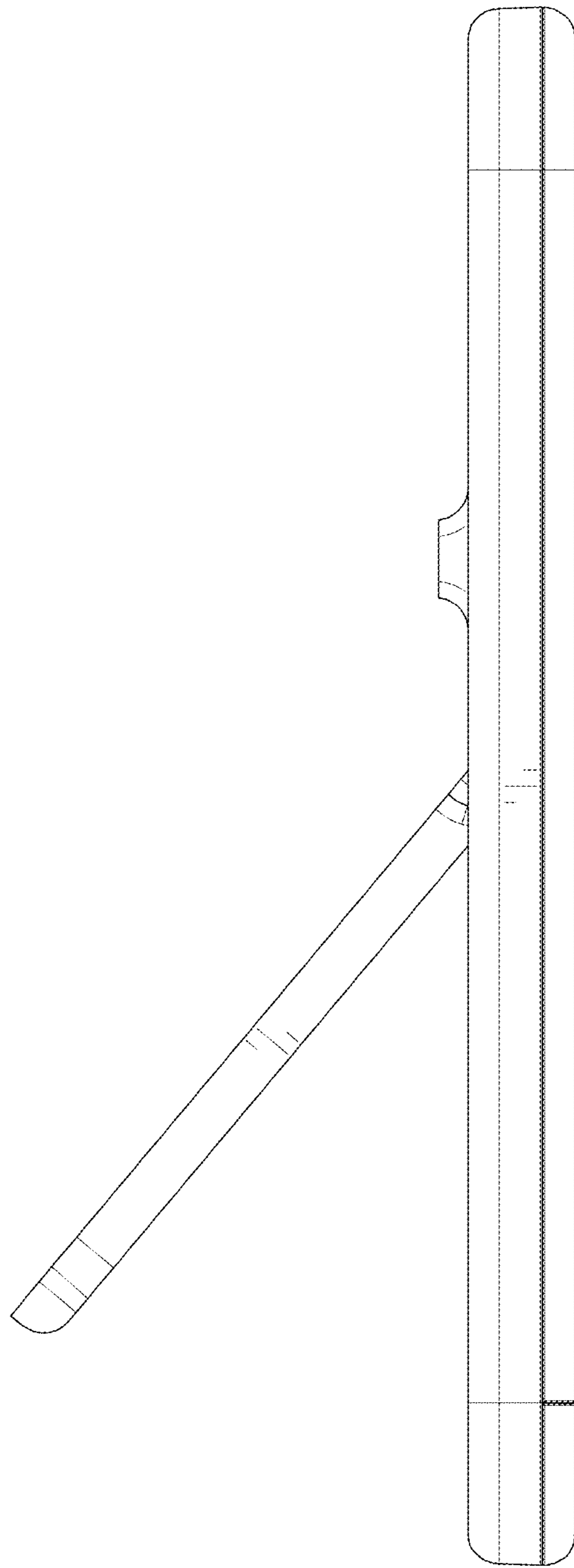


FIG.5

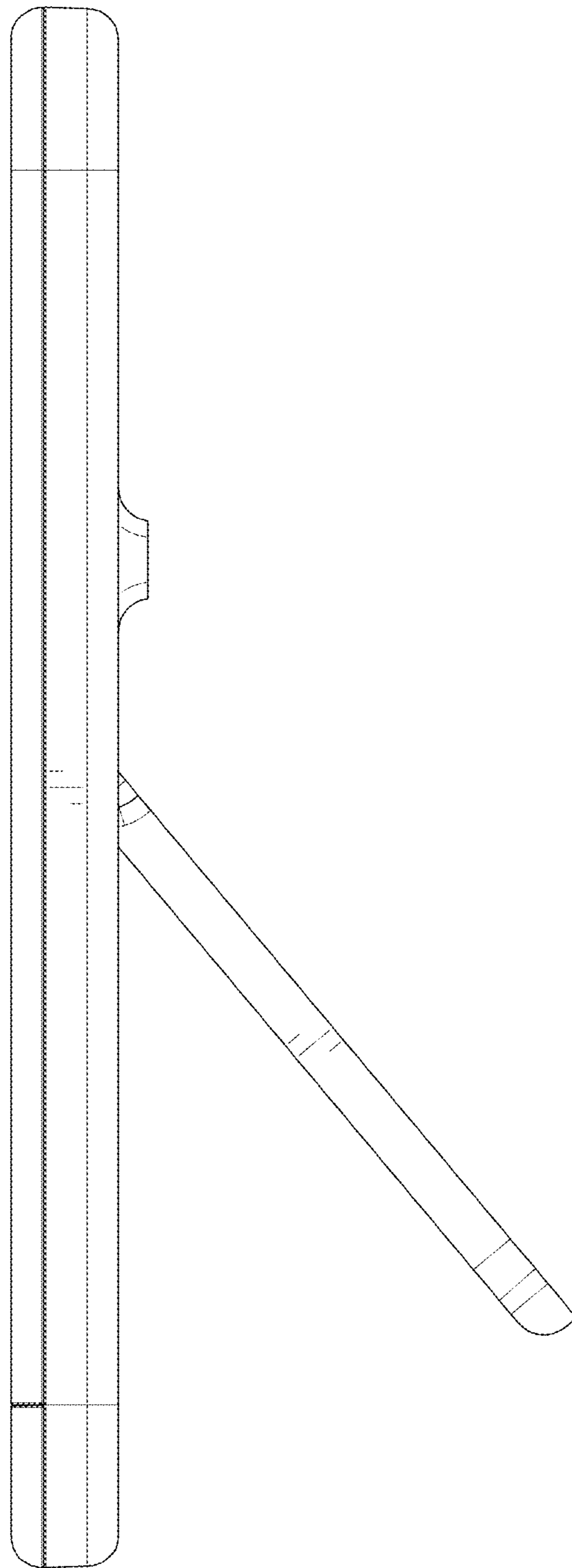


FIG.6

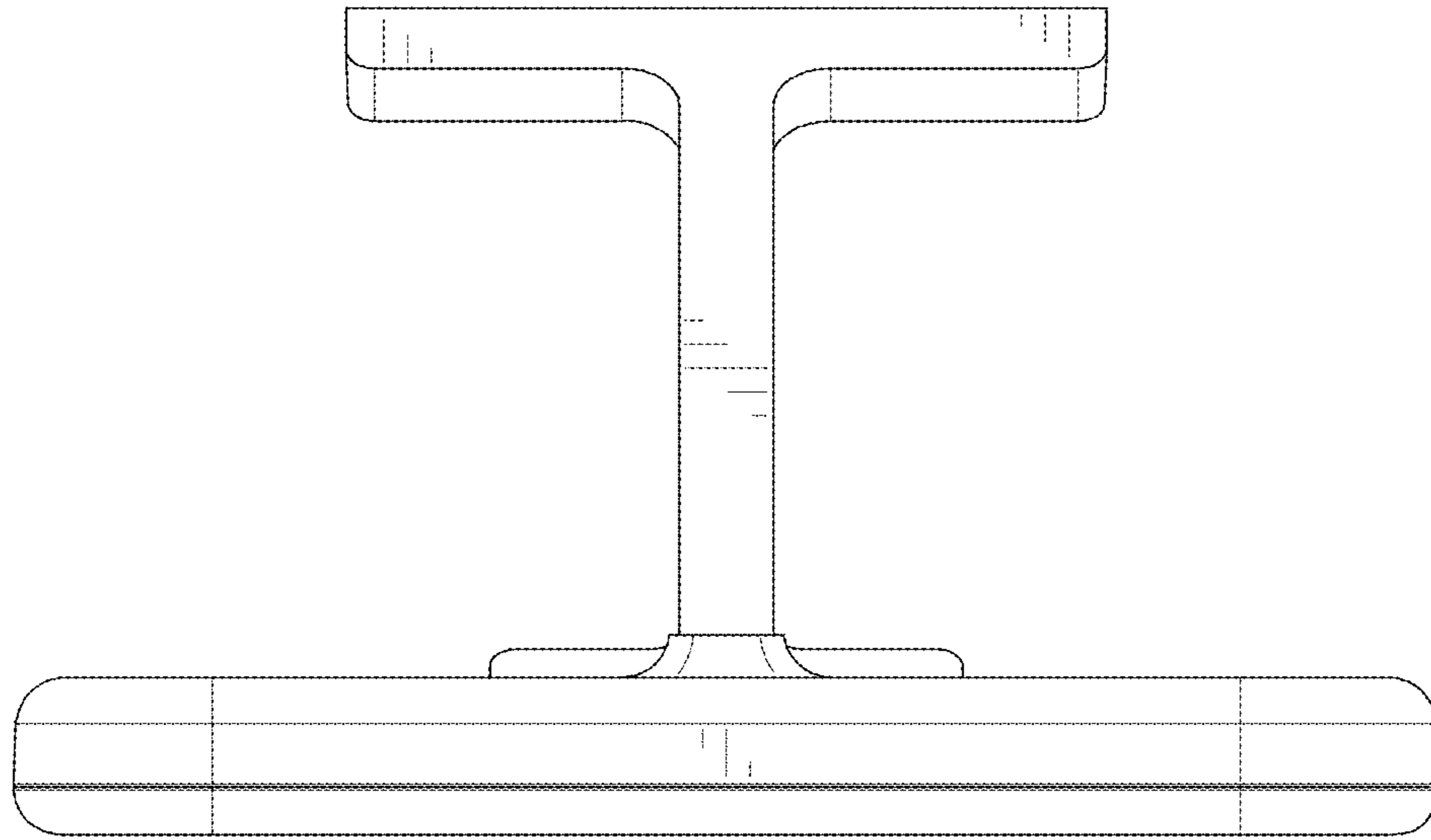


FIG.7



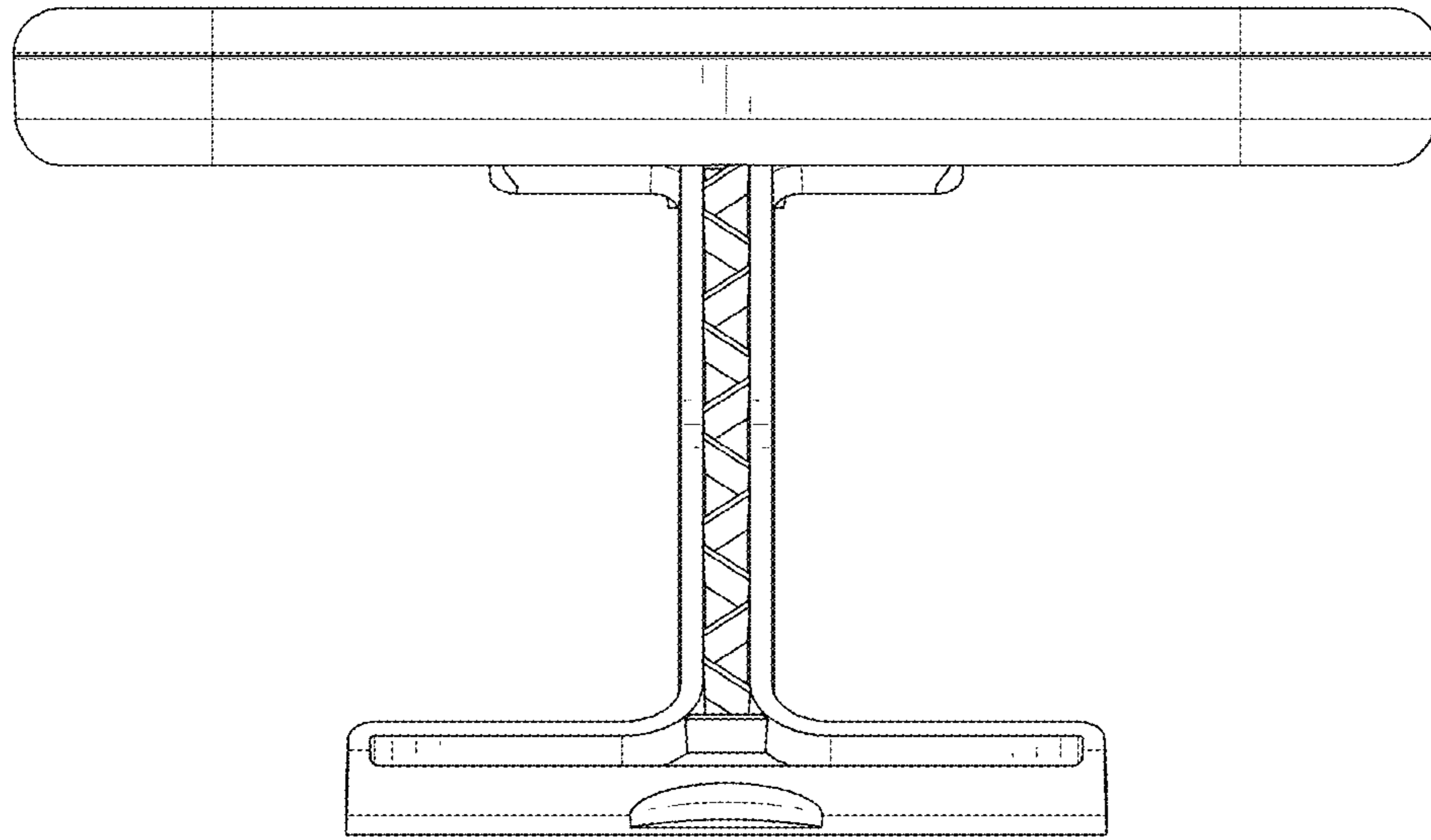


FIG.8