



US00D903130S

(12) **United States Design Patent**  
**Diehl**

(10) **Patent No.:** **US D903,130 S**

(45) **Date of Patent:** **\*\* Nov. 24, 2020**

(54) **ORTHOPEdic LEG BRACE FOR PETS**

(71) Applicant: **Scandiop Holding AB**, Vastra Frolunda (SE)

(72) Inventor: **Christoffer Diehl**, Vastra Frolunda (SE)

(73) Assignee: **Scandiop Holding AB**, Västra Frölunda (SE)

(\*\*) Term: **15 Years**

(21) Appl. No.: **35/506,950**

(22) Filed: **Jan. 14, 2019**

(80) **Hague Agreement Data**

Int. Filing Date: **Jan. 14, 2019**

Int. Reg. No.: **DM/201387**

Int. Reg. Date: **Jan. 14, 2019**

Int. Reg. Pub. Date: **Jun. 21, 2019**

(51) **LOC (12) Cl.** ..... **24-02**

(52) **U.S. Cl.**  
USPC ..... **D24/190**

(58) **Field of Classification Search**

USPC ..... D24/190, 155, 189, 191, 192; D15/199;  
D21/621, 622, 578, 585; D29/122

CPC ..... A61F 5/0123; A61F 5/0106;  
A61H 2205/102

See application file for complete search history.

(56) **References Cited**

**U.S. PATENT DOCUMENTS**

- D477,088 S \* 7/2003 Brown ..... A61F 5/0118  
D24/190
- D542,920 S \* 5/2007 Slautterback ..... D24/192
- D808,027 S \* 1/2018 Lane ..... D24/190
- D819,219 S \* 5/2018 Izuka ..... D24/190
- D819,822 S \* 6/2018 Schmitt ..... D24/192

- D835,792 S \* 12/2018 Erwin ..... D24/190
- D848,005 S \* 5/2019 Adams ..... D24/190
- D848,625 S \* 5/2019 Chase ..... D24/190
- D849,254 S \* 5/2019 Chase ..... D24/190
- D872,286 S \* 1/2020 Hoffman ..... D24/190
- D874,661 S \* 2/2020 Theriot ..... A61H 9/0078  
D24/190
- D876,650 S \* 2/2020 Larouche ..... D24/190

\* cited by examiner

*Primary Examiner* — Samantha Q Lawrence

(74) *Attorney, Agent, or Firm* — Harness, Dickey & Pierce, P.L.C.; Anthony G. Fussner

(57) **CLAIM**

The ornamental design for orthopedic leg brace for pets, as shown and described.

**DESCRIPTION**

1.-2. Orthopedic leg brace for pets

Figure 1.1 is a perspective view of a first embodiment of an orthopedic leg brace for pets;

Figure 1.2 is another perspective view thereof;

Figure 1.3 is a rear perspective view thereof;

Figure 1.4 is a front view thereof;

Figure 1.5 is a side view thereof;

Figure 1.6 is a rear view thereof;

Figure 2.3 is a rear perspective view thereof;

Figure 2.4 is another perspective view thereof;

Figure 2.5 is a side view thereof;

Figure 2.6 is a front view thereof; and

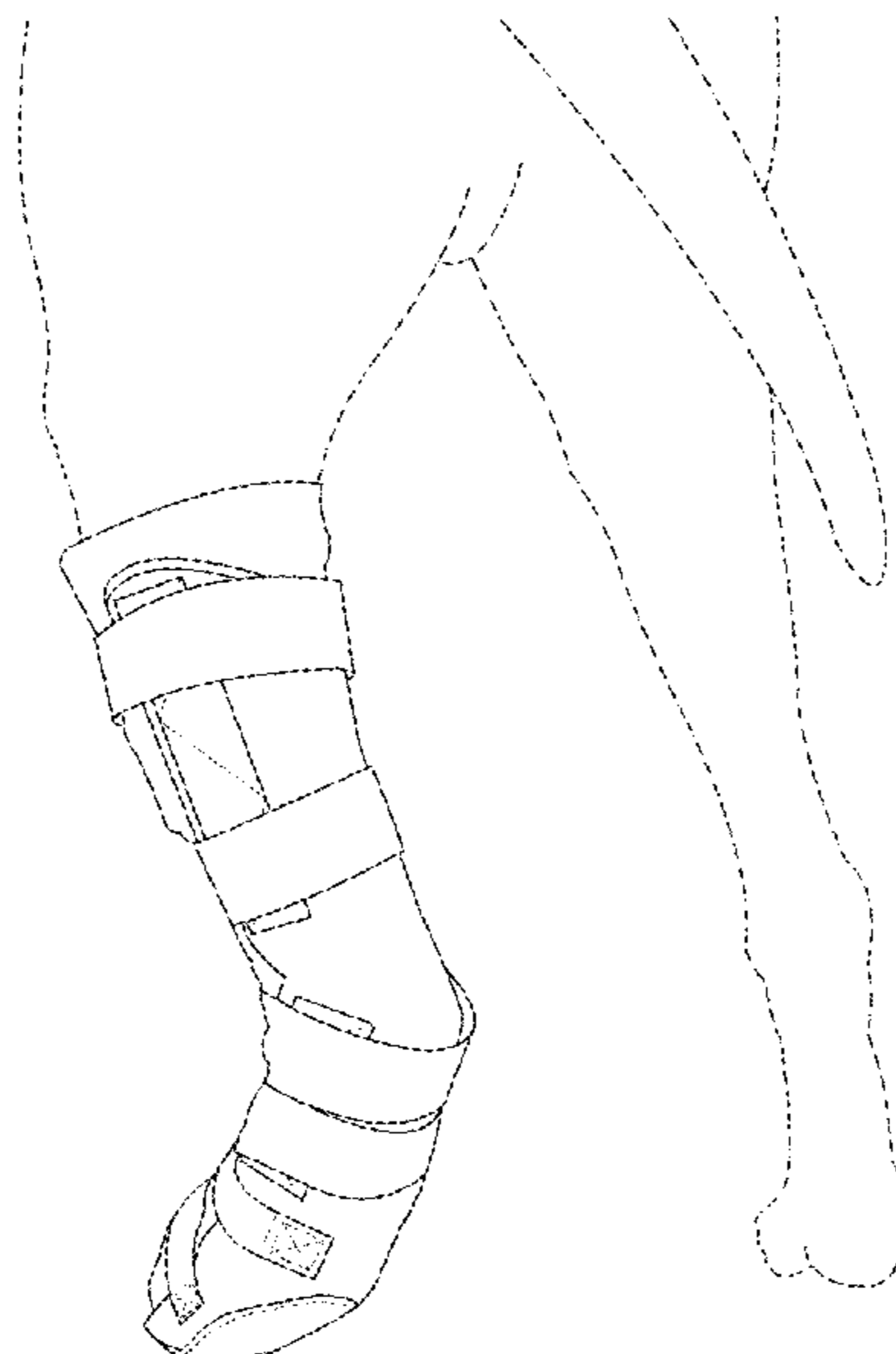
Figure 2.7 is another perspective view thereof.

The broken lines which illustrate the pet shown in Figures 1.1-2.7 illustrate environment of the orthopedic leg brace for pets that form no part of the claimed design.

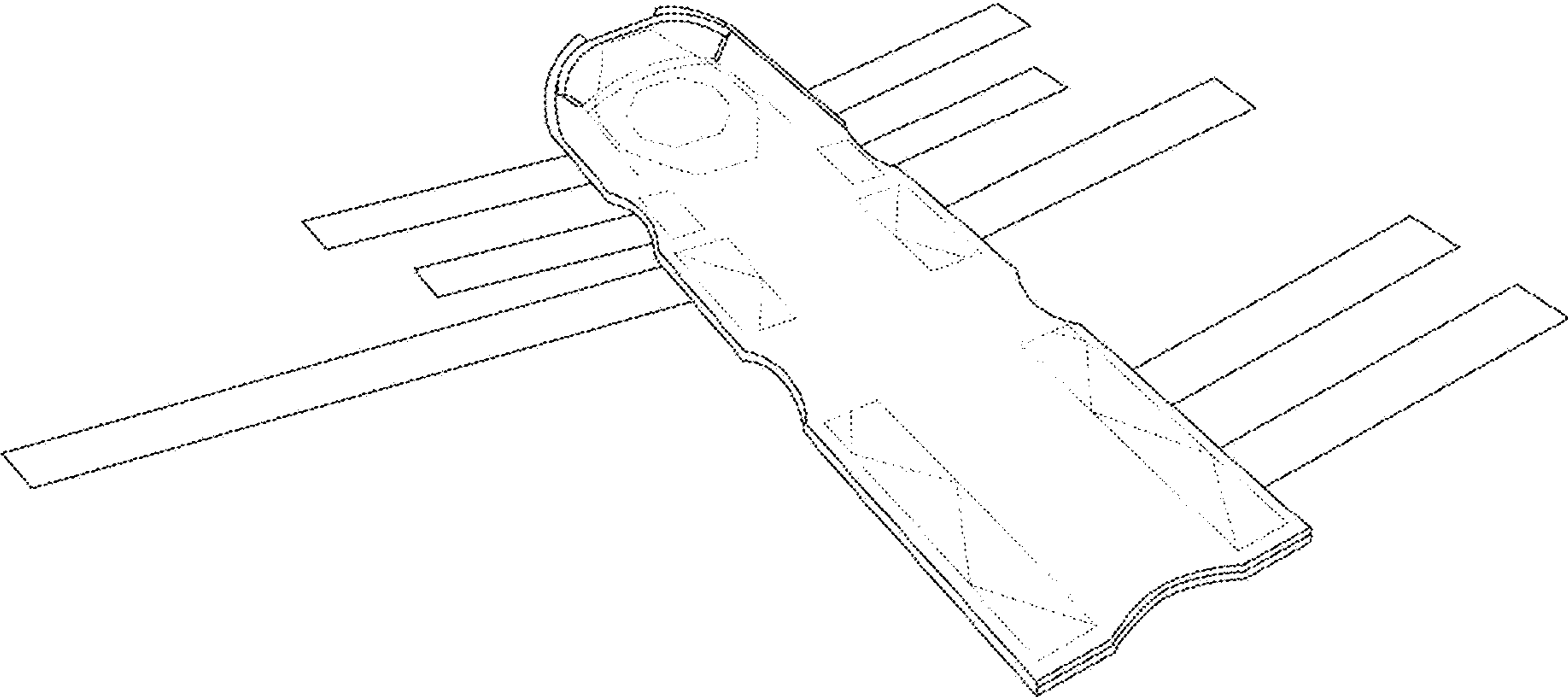
The broken lines shown on the claimed design in Figures 1.1-2.7 illustrate stitching on the surface of the orthopedic leg brace for pets and form no part of the claimed design.

The surface underneath the stitching is claimed.

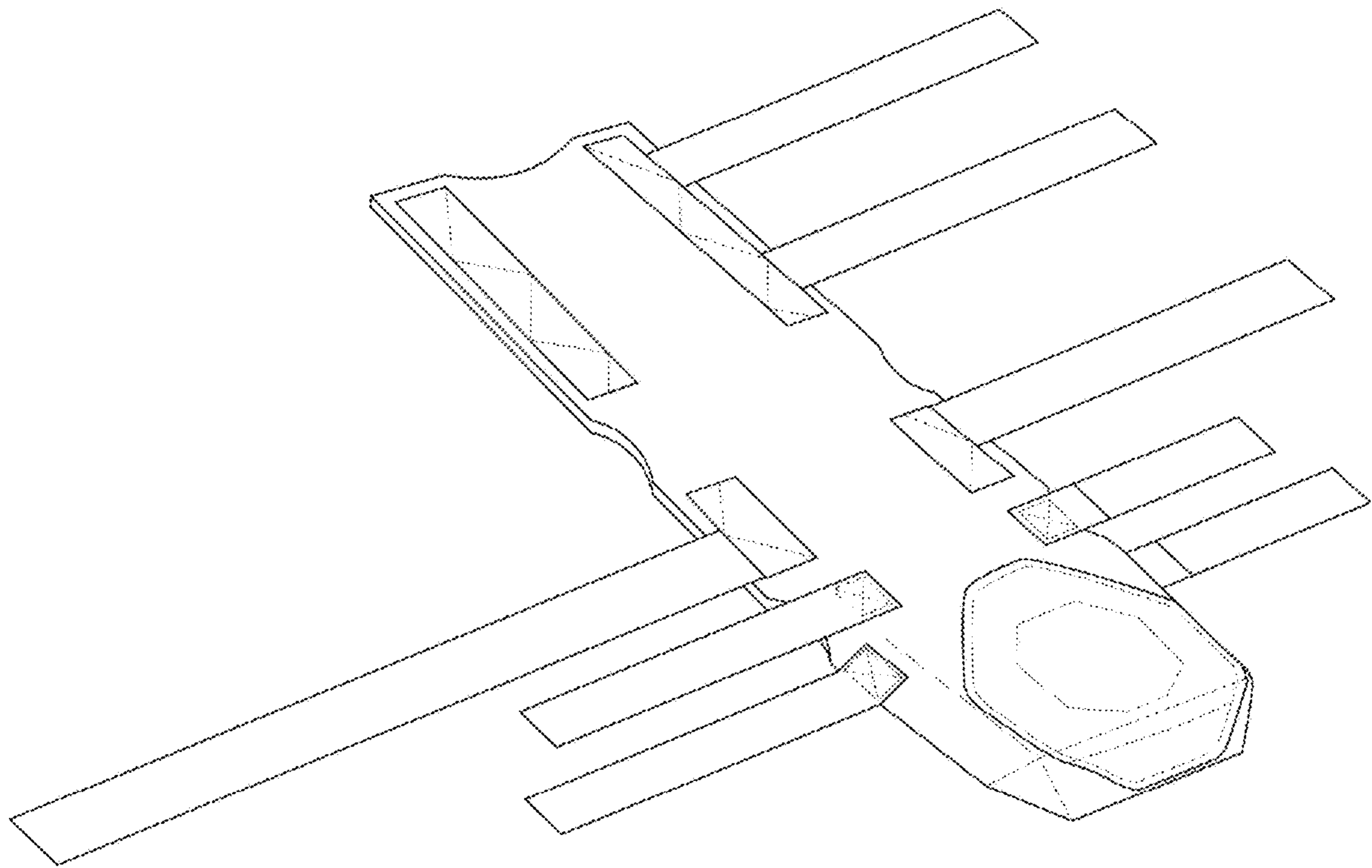
**1 Claim, 11 Drawing Sheets**



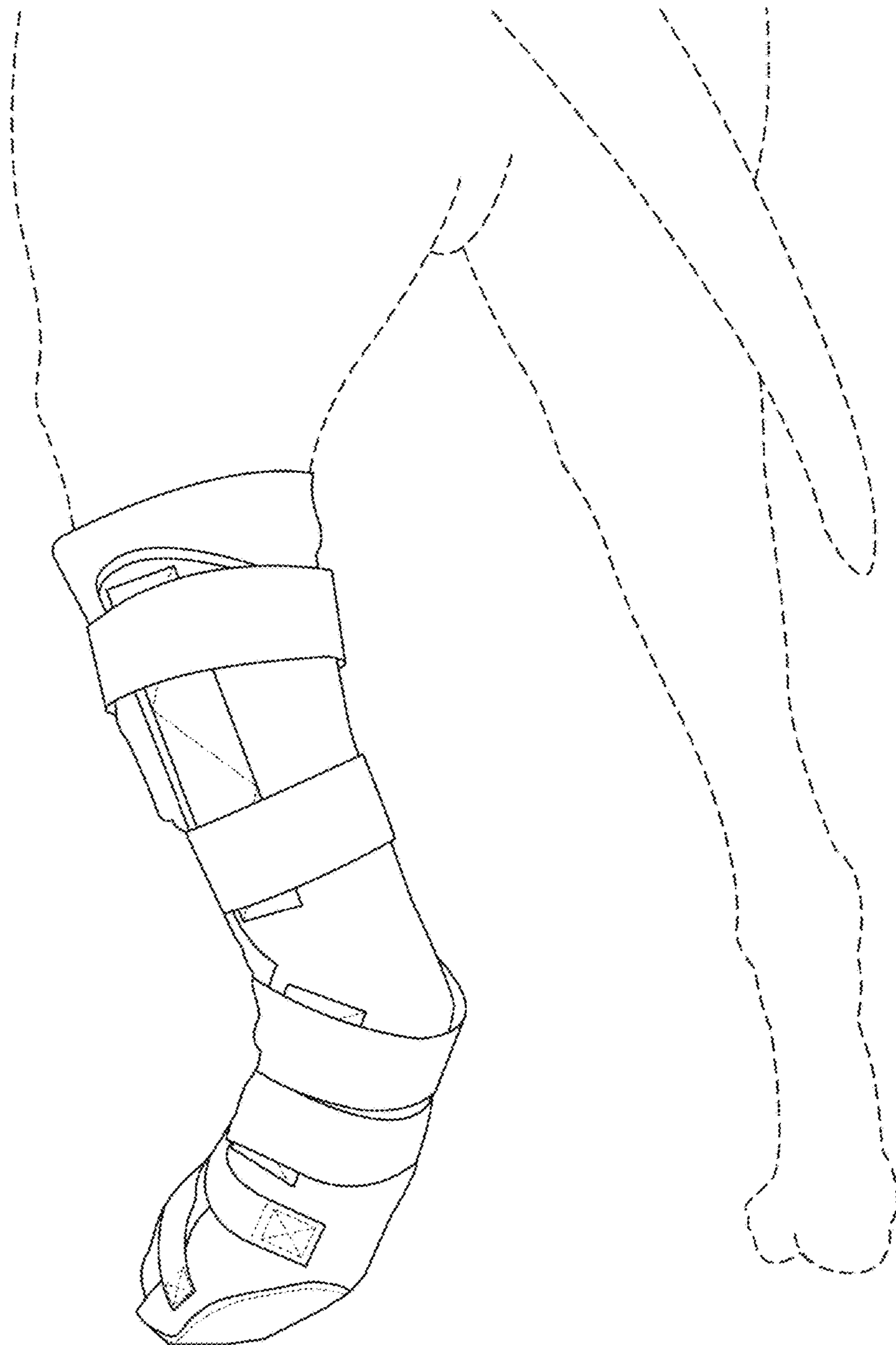
1.1



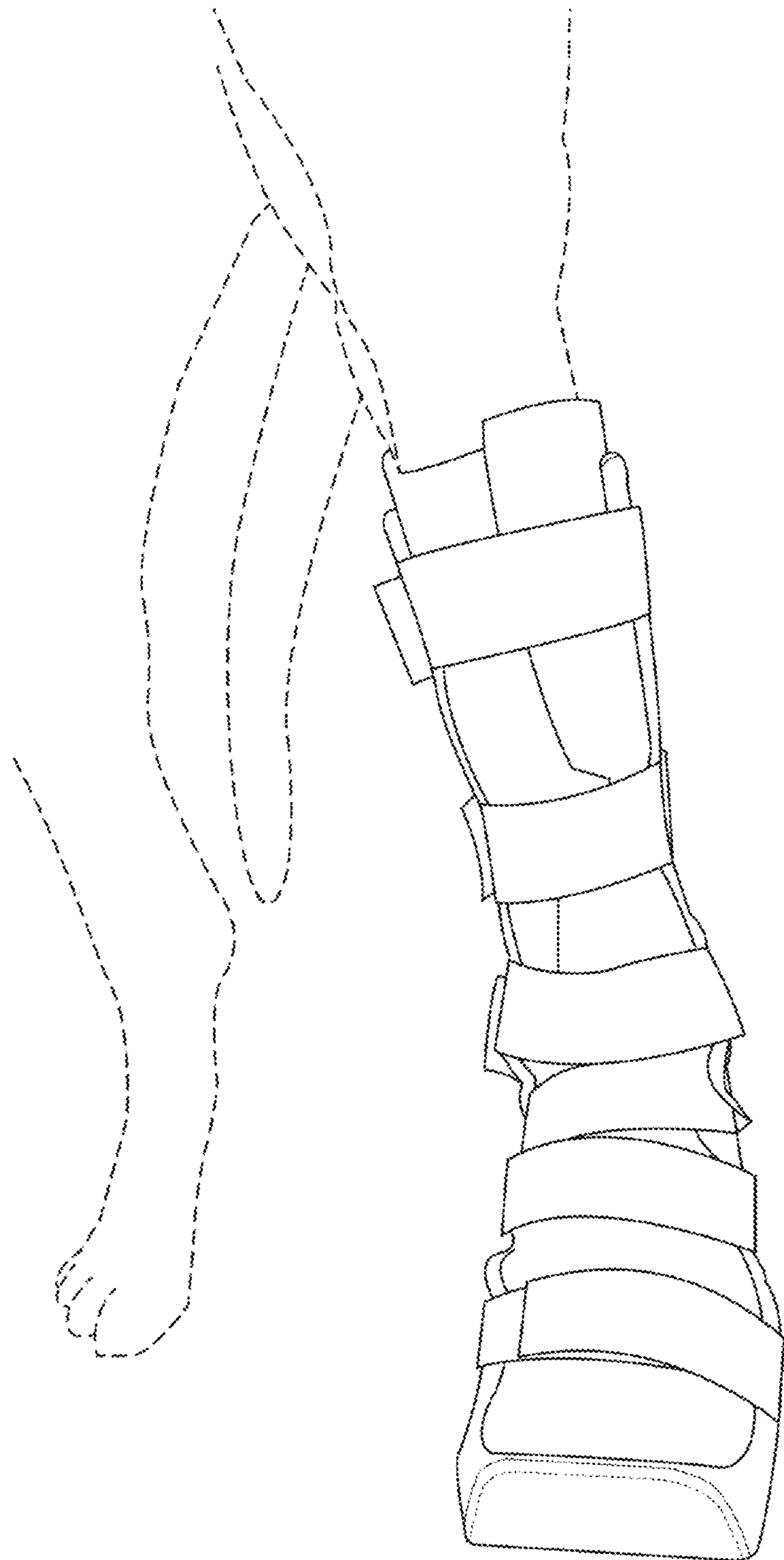
1.2



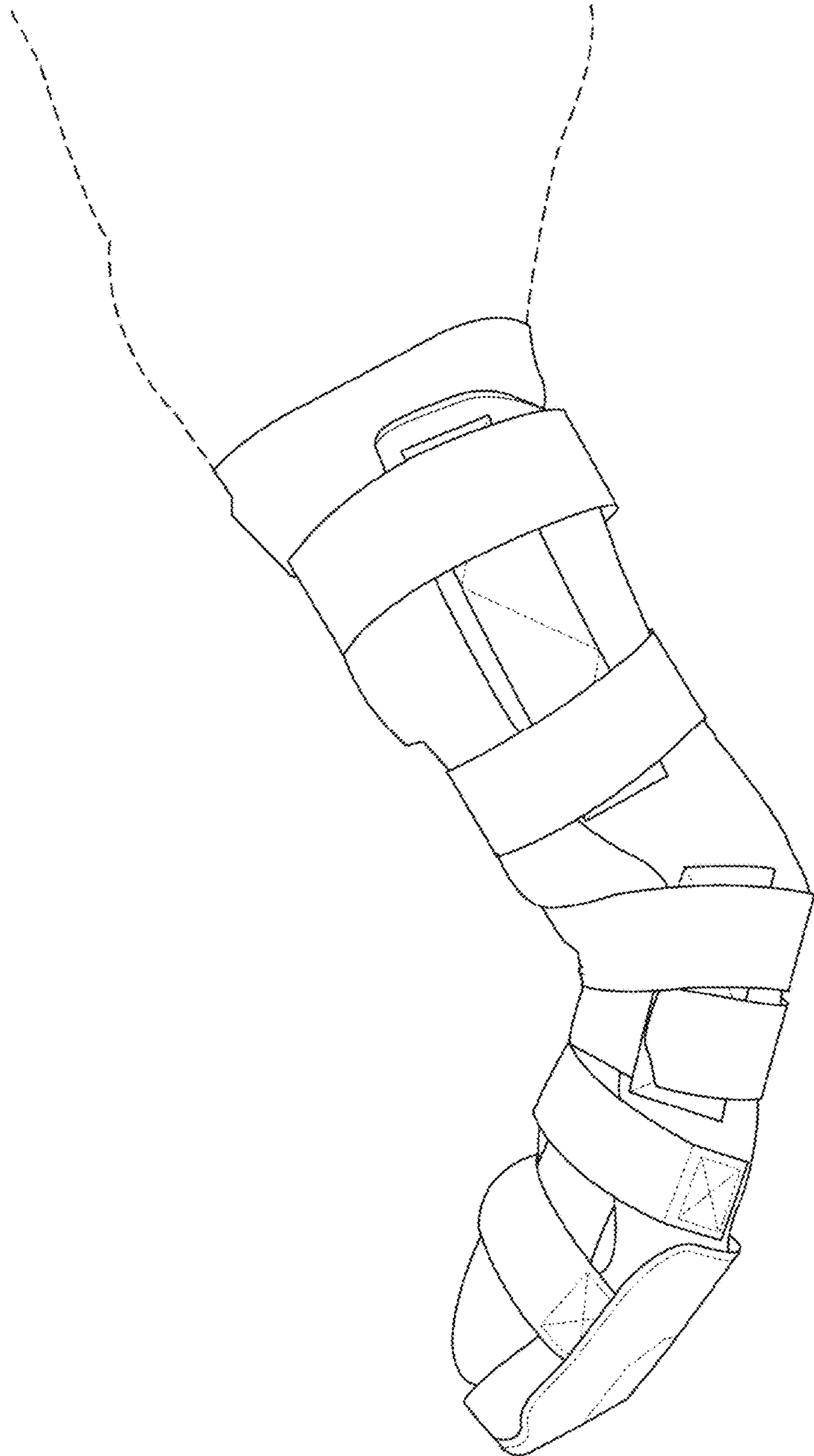
1.3



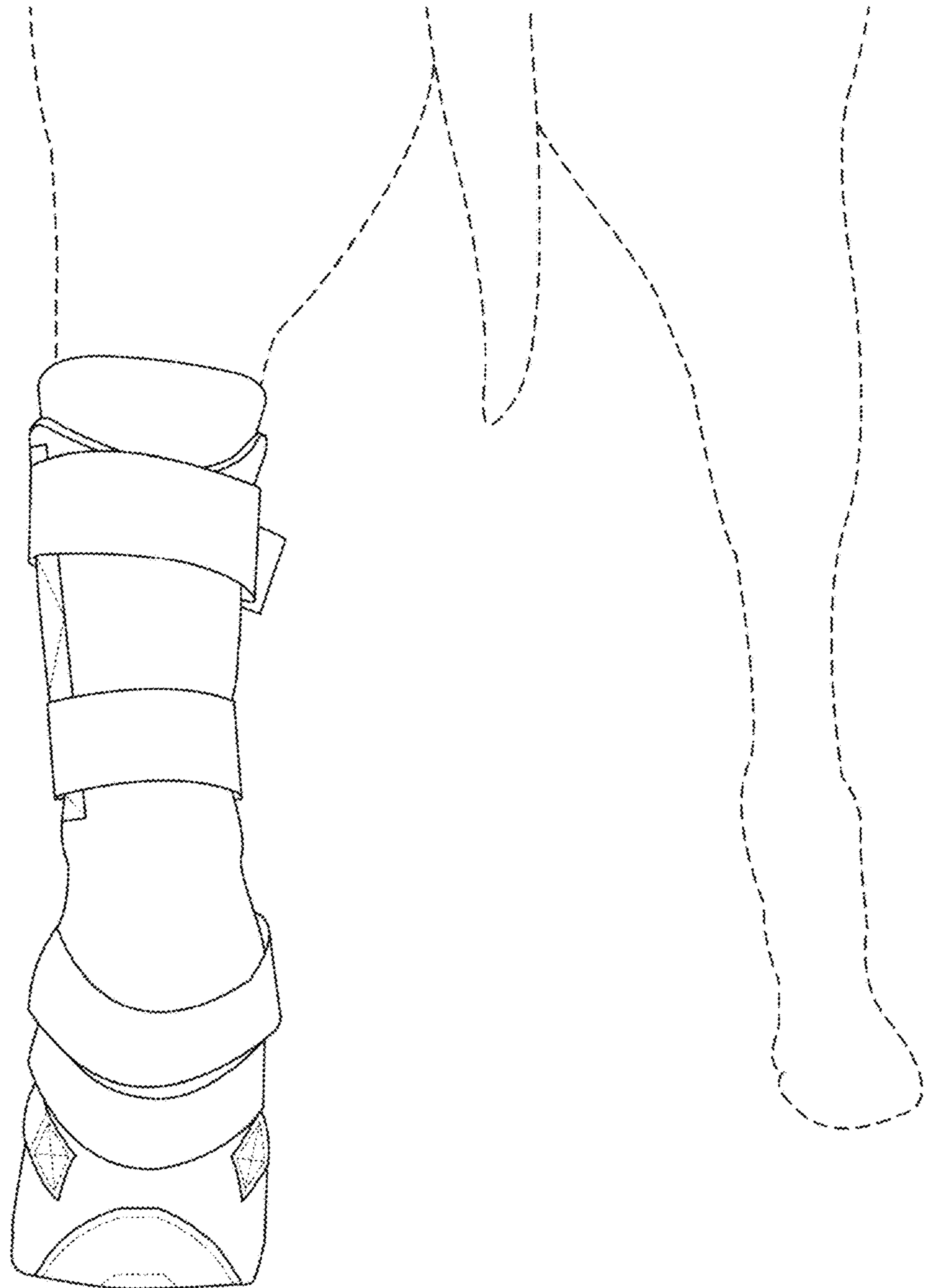
1.4



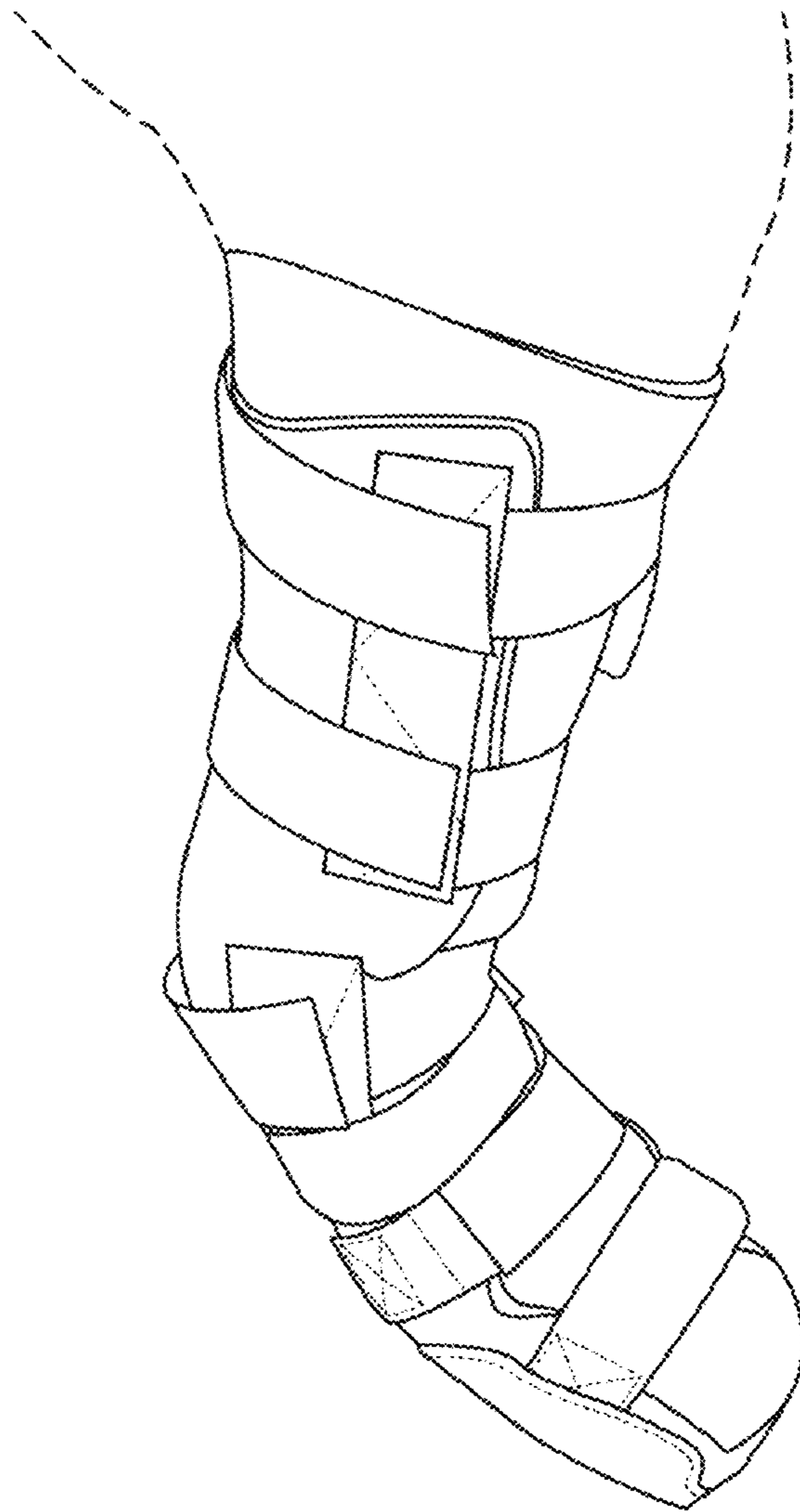
1.5



1.6

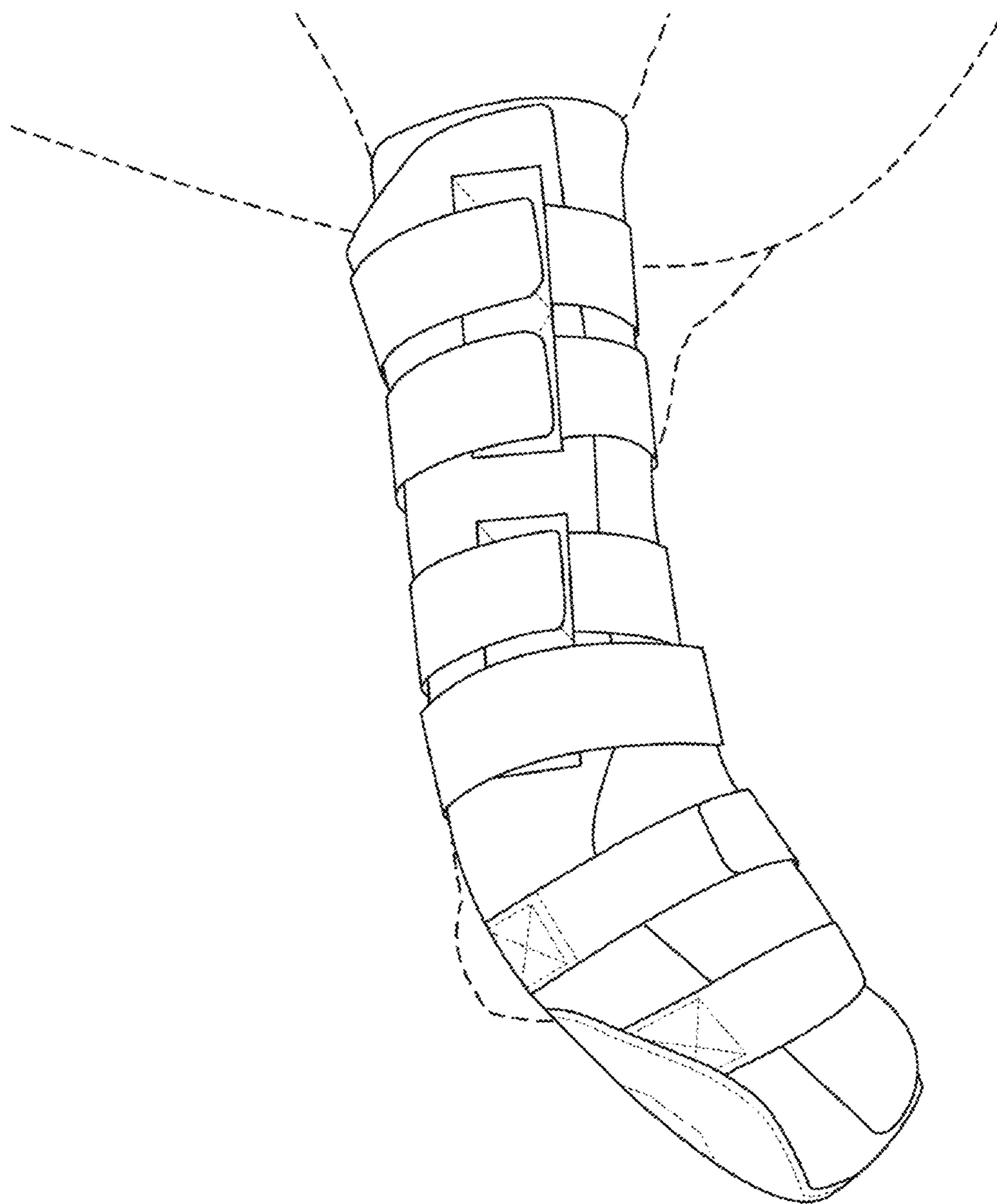


2.3

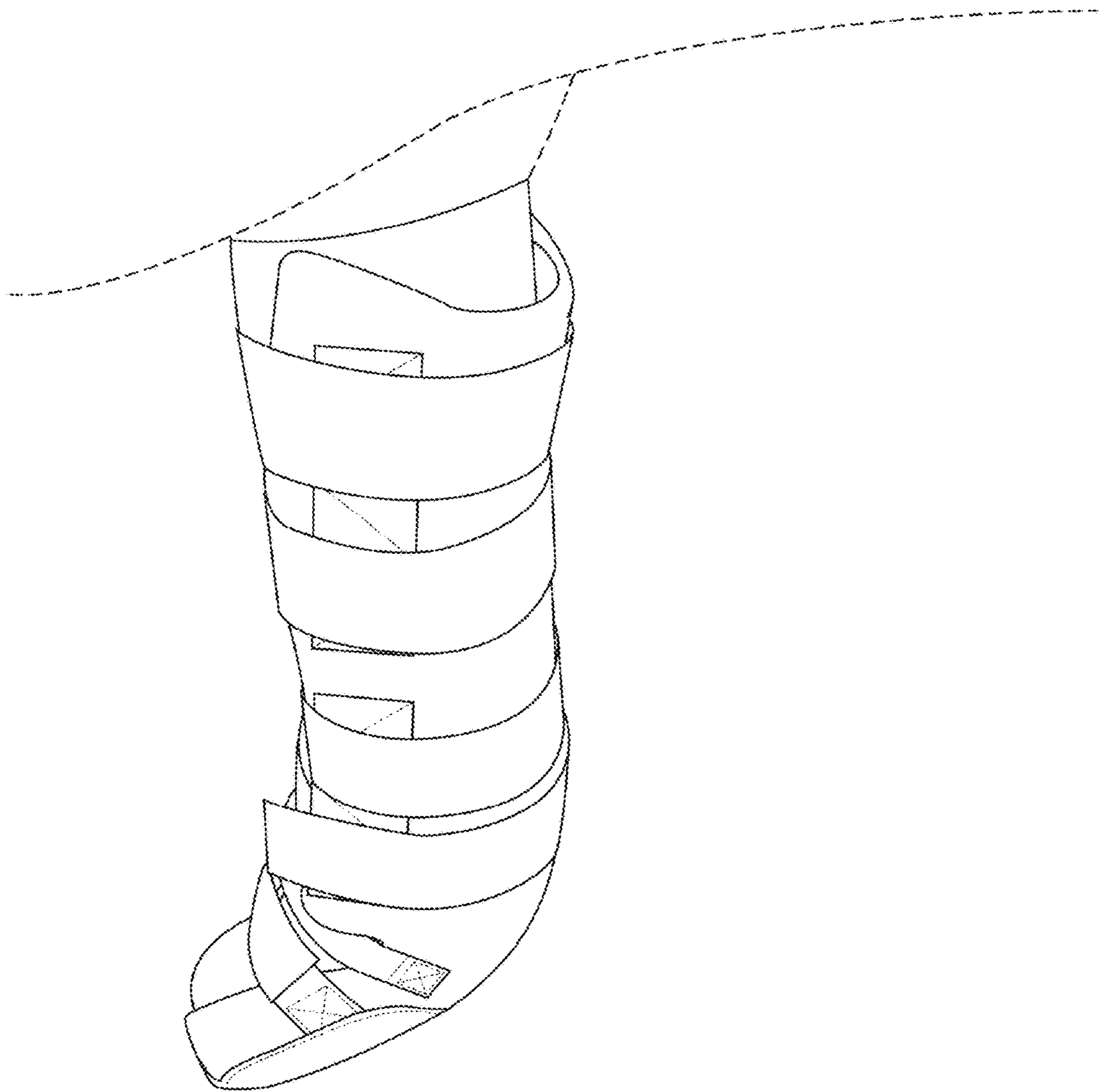




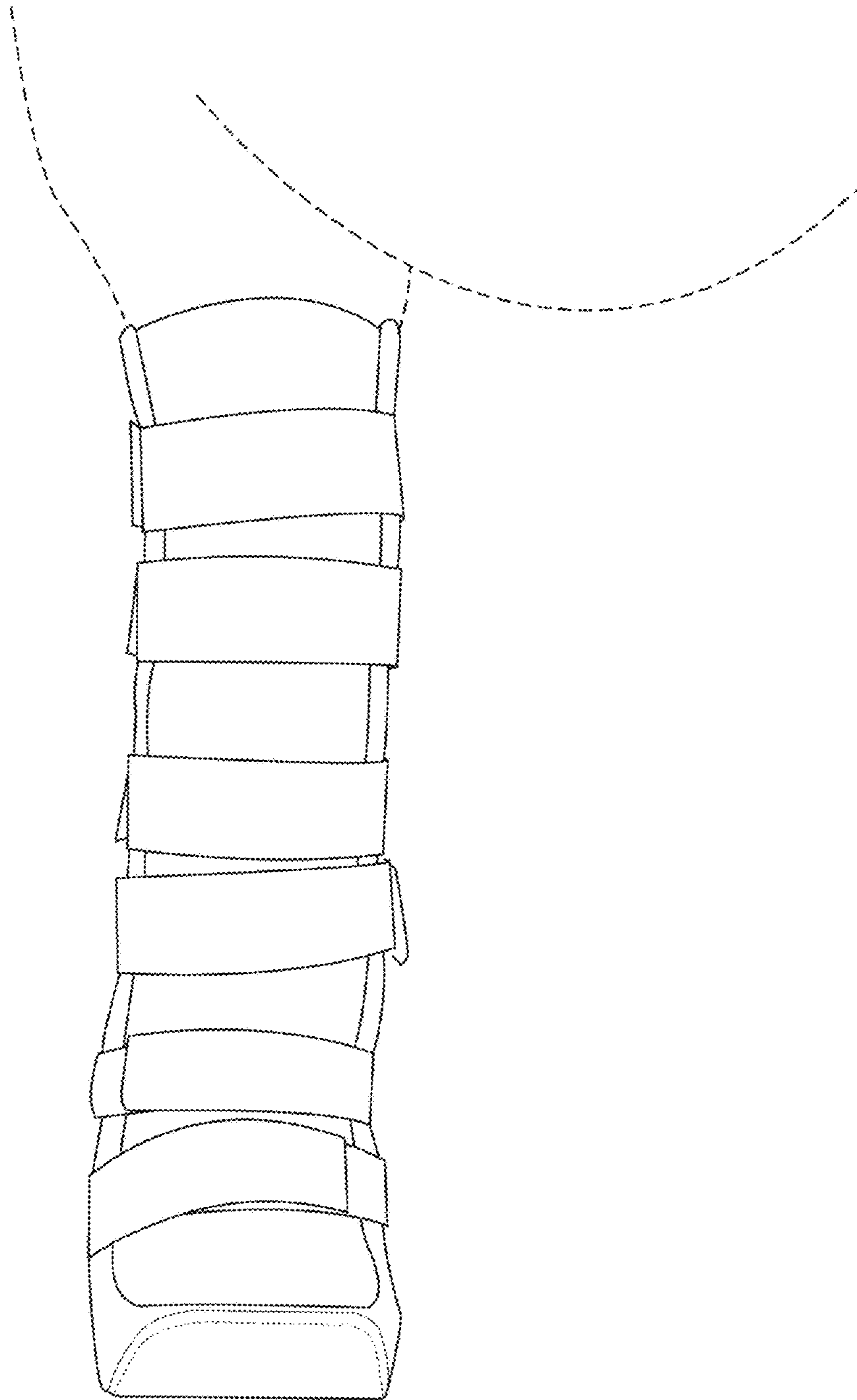
2.4



2.5



2.6



2.7

