



US00D903125S

(12) **United States Design Patent** (10) **Patent No.:** **US D903,125 S**  
**Burns et al.** (45) **Date of Patent:** **\*\* Nov. 24, 2020**

(54) **DISPOSABLE SENSOR ATTACHMENT DESIGN**

(71) Applicant: **Bruin Biometrics, LLC**, Los Angeles, CA (US)

(72) Inventors: **Martin F. Burns**, Los Angeles, CA (US); **Graham O. Ross**, Oceanside, CA (US)

(73) Assignee: **Bruin Biometrics, LLC**, Los Angeles, CA (US)

(\*\*) Term: **15 Years**

(21) Appl. No.: **29/679,908**

(22) Filed: **Feb. 11, 2019**

(51) **LOC (12) Cl.** ..... **24-01**

(52) **U.S. Cl.**  
USPC ..... **D24/186**; D10/80; D10/103; D24/188

(58) **Field of Classification Search**  
USPC ..... D10/46, 78, 80, 81, 103; D24/186, 188  
CPC ..... A61B 5/746; A61B 5/0537; A61B 5/6801; A61B 5/742; A61B 5/7278; A61B 5/0531; A61B 5/445; A61B 5/4875; A61B 5/447; A61B 5/6843; A61B 2560/0468; A61B 2562/046  
See application file for complete search history.

(56) **References Cited**

**U.S. PATENT DOCUMENTS**

|                |        |                |                      |
|----------------|--------|----------------|----------------------|
| D356,641 S     | 3/1995 | Stewart et al. |                      |
| 7,226,223 B2 * | 6/2007 | Chan .....     | G03B 9/68<br>396/394 |
| D659,840 S     | 5/2012 | Cheng et al.   |                      |
| D673,681 S     | 1/2013 | Boudier        |                      |
| D704,581 S *   | 5/2014 | Ho .....       | D10/81               |

(Continued)

**FOREIGN PATENT DOCUMENTS**

JP D1154585 10/2019

**OTHER PUBLICATIONS**

Design U.S. Appl. No. 29/662,454, filed Sep. 5, 2018.

(Continued)

*Primary Examiner* — Antoine Duval Davis

(74) *Attorney, Agent, or Firm* — Arnold & Porter Kaye Scholer LLP

(57) **CLAIM**

The ornamental design for a disposable sensor attachment design, substantially shown and described.

**DESCRIPTION**

FIG. 1 is a perspective view of a design aspect of a disposable sensor attachment design.

FIG. 2 is a top view of the disposable sensor attachment design of FIG. 1.

FIG. 3 is a front view of the disposable sensor attachment design of FIG. 1.

FIG. 4 is a left-hand-side view of the disposable sensor attachment design of FIG. 1.

FIG. 5 is a right-hand-side view of the disposable sensor attachment design of FIG. 1.

FIG. 6 is a rear view of the disposable sensor attachment design of FIG. 1.

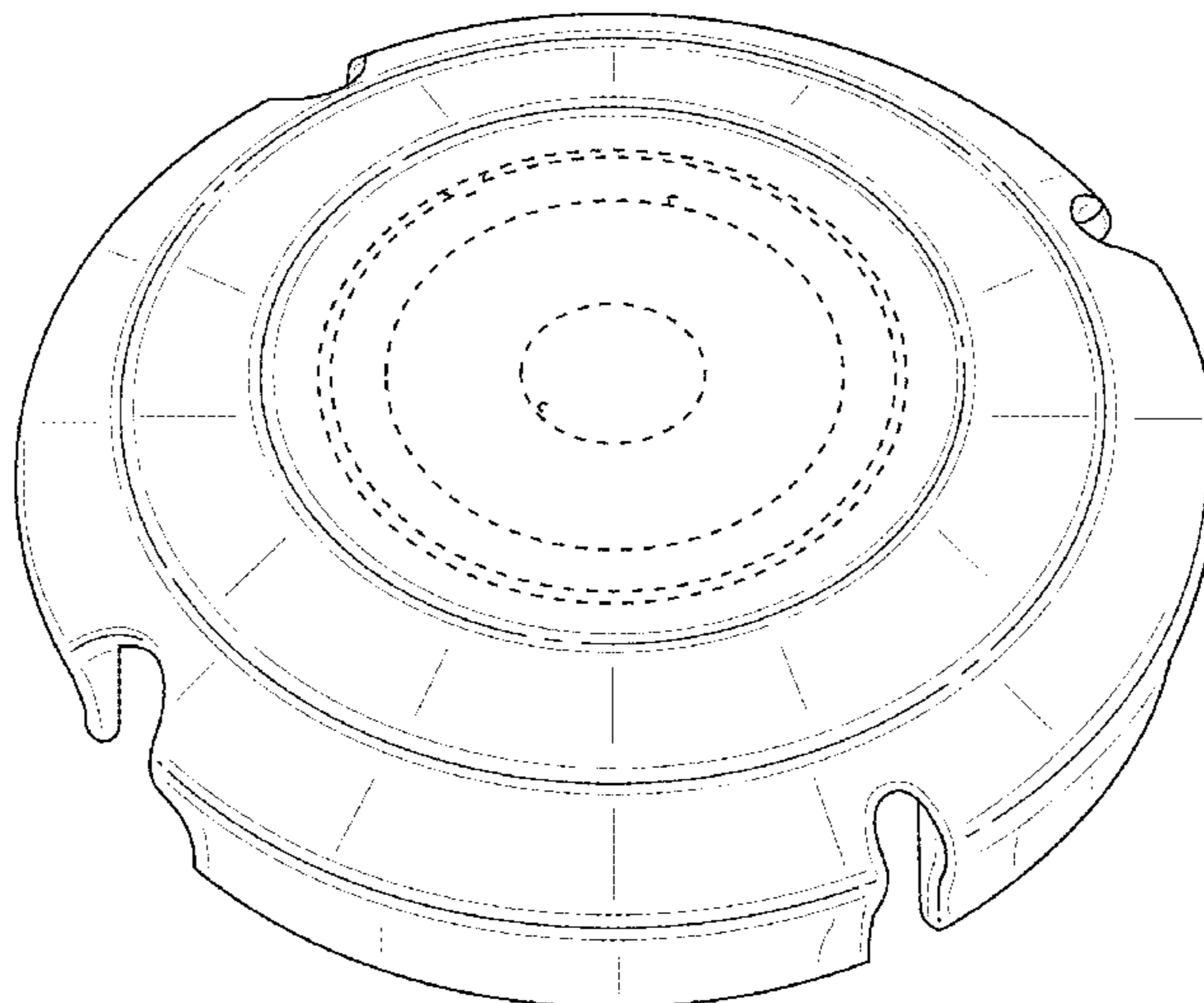
FIG. 7 is a bottom view of the disposable sensor attachment design of FIG. 1; and,

FIG. 8 is a cross-sectional view of the disposable sensor attachment design of FIG. 1.

The broken lines depict portions of the disposable sensor attachment design that form no part of the claim.

Also, the references to “perspective,” “front,” “back,” “side,” and “top” views in the Figures and Descriptions are not necessarily meant to require any specific orientation of the article as viewed. A disposable sensor attachment design according to the claimed design may be used in any orientation.

**1 Claim, 5 Drawing Sheets**



(56)

**References Cited**

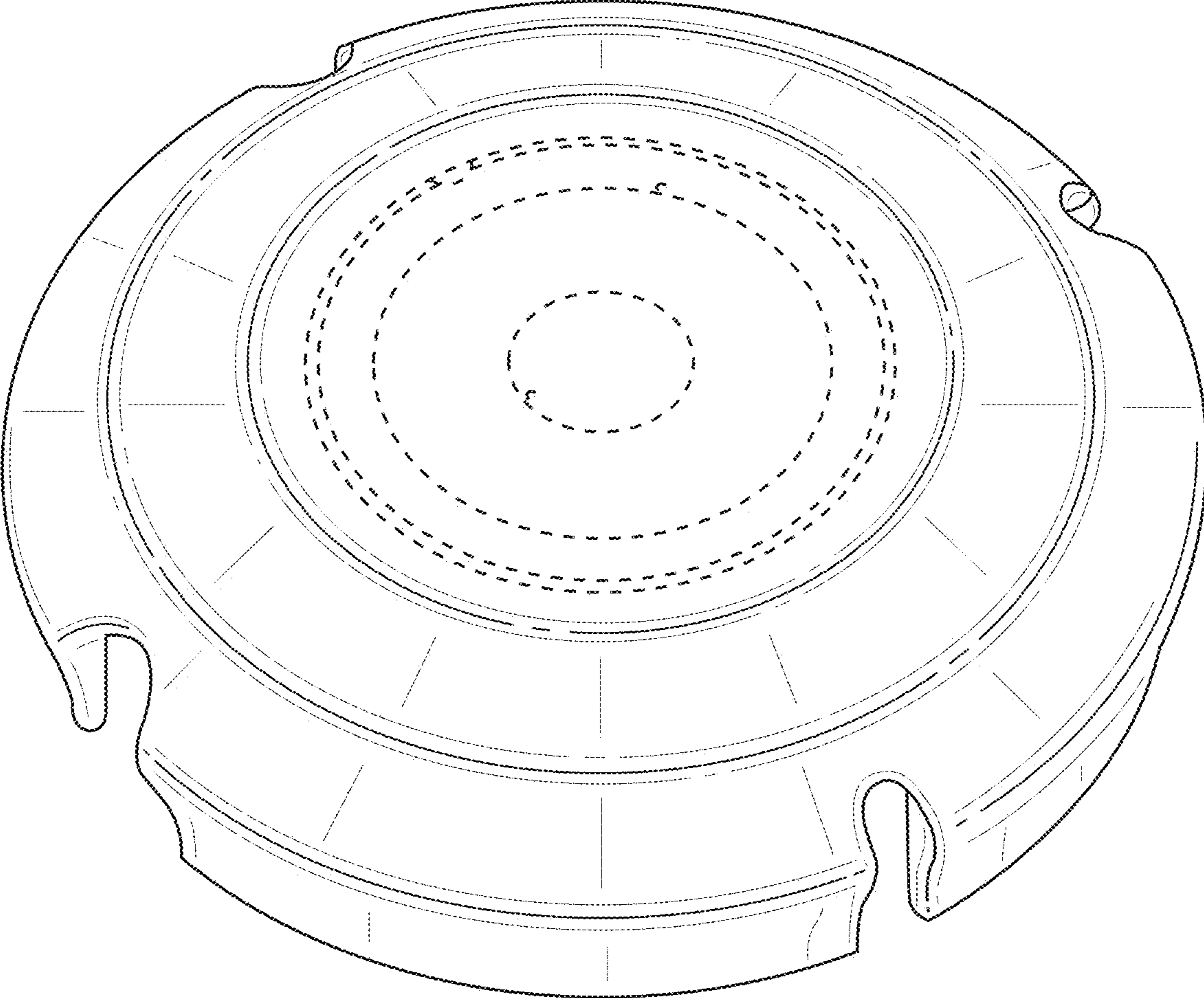
U.S. PATENT DOCUMENTS

D742,518 S 11/2015 Barak et al.  
D789,545 S 6/2017 Pippel et al.  
D796,355 S \* 9/2017 Cho ..... D10/78  
9,763,596 B2 \* 9/2017 Tonar ..... A61B 5/0537  
D810,952 S \* 2/2018 Hsu ..... D24/200  
D824,034 S \* 7/2018 Pushpala ..... G03B 9/68  
D24/186  
D834,713 S 11/2018 Myers et al.  
10,117,607 B2 \* 11/2018 Riesinger ..... A61B 5/445  
D850,626 S 6/2019 Gardner et al.  
D854,950 S \* 7/2019 Seum ..... A61B 5/445  
D10/103  
D857,911 S 8/2019 Huang  
D863,574 S 10/2019 Yan et al.  
10,537,248 B2 \* 1/2020 Hong ..... A61B 5/0077  
10,537,304 B2 \* 1/2020 Barthe ..... A61B 8/4455

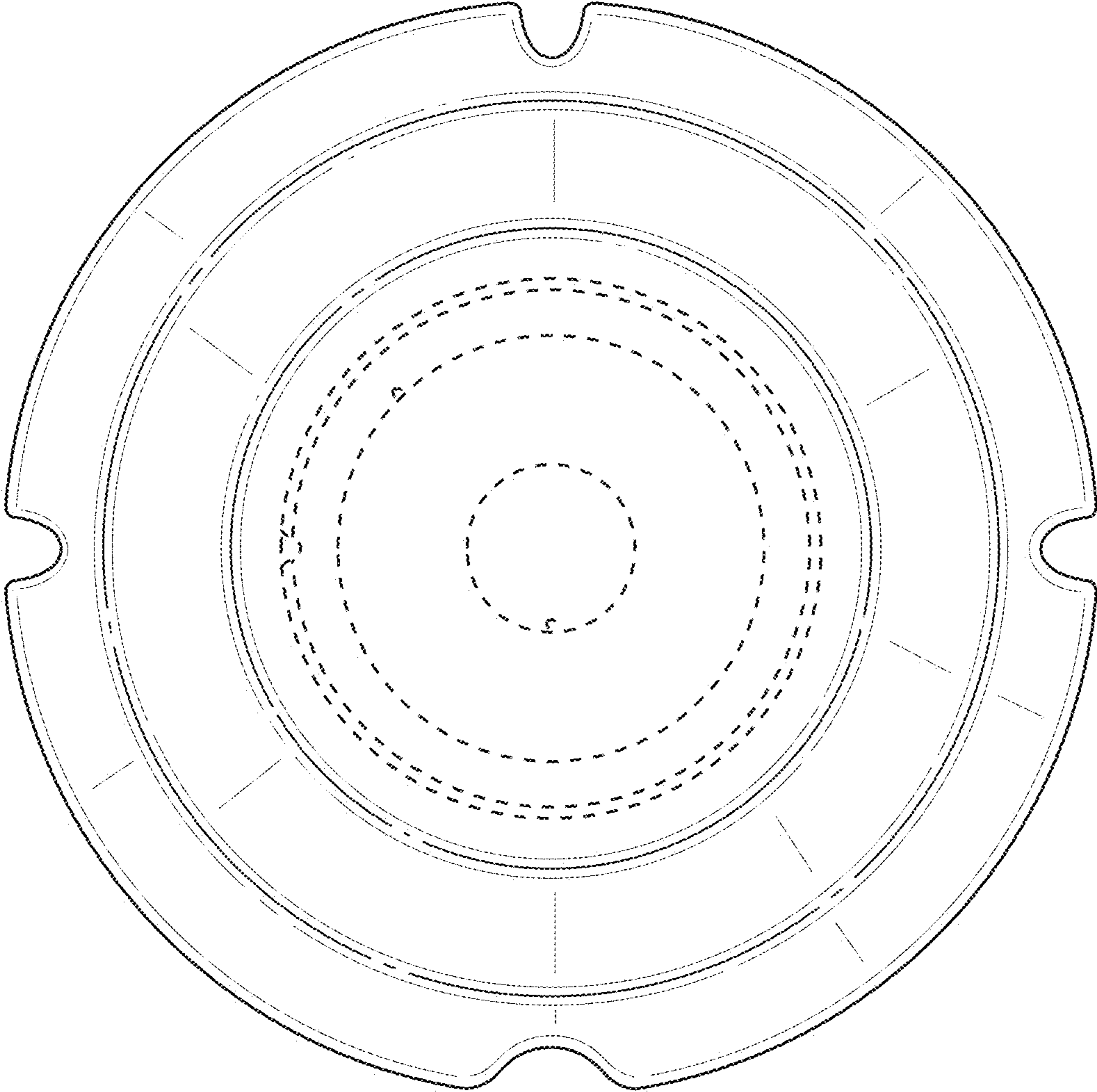
OTHER PUBLICATIONS

Design U.S. Appl. No. 29/662,461, filed Sep. 5, 2018.  
Design U.S. Appl. No. 29/677,160, filed Jan. 17, 2019.  
Design U.S. Appl. No. 29/677,186, filed Jan. 17, 2019.  
“Quick Start Guide,” Provizio™ SEM Scanner, CO770 OTH-  
SEM250-0357 Rev. C (Feb. 11, 2020).

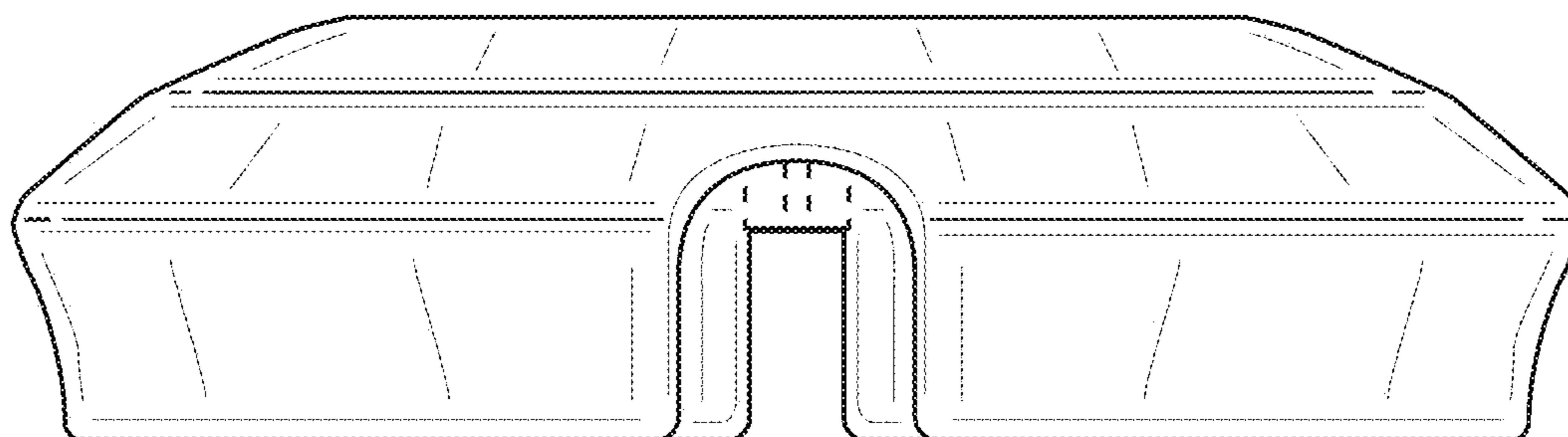
\* cited by examiner



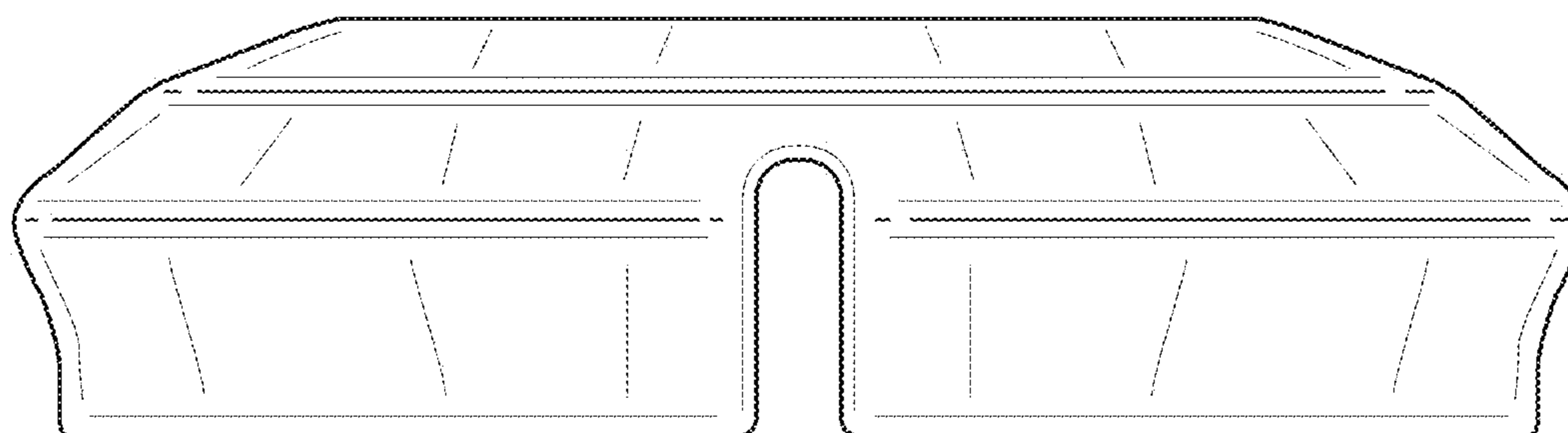
**FIG. 1**



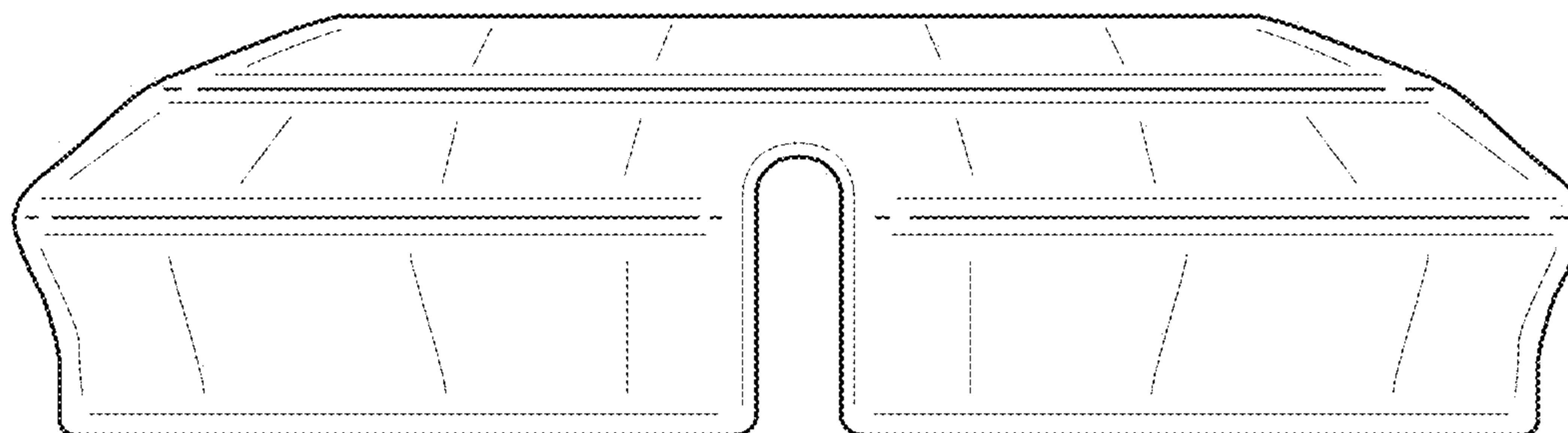
**FIG. 2**



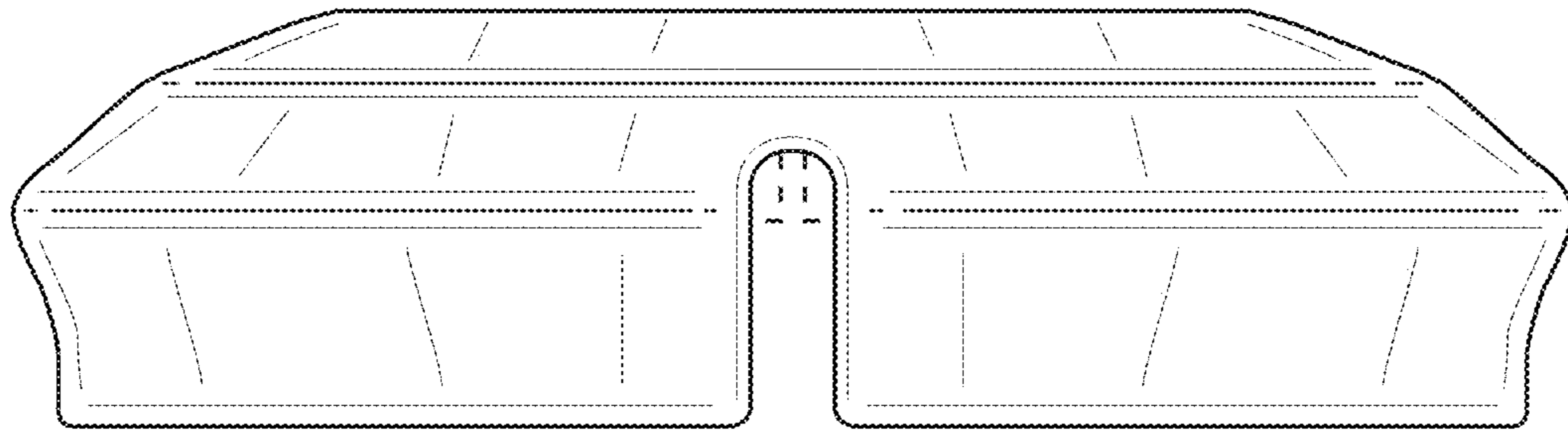
**FIG. 3**



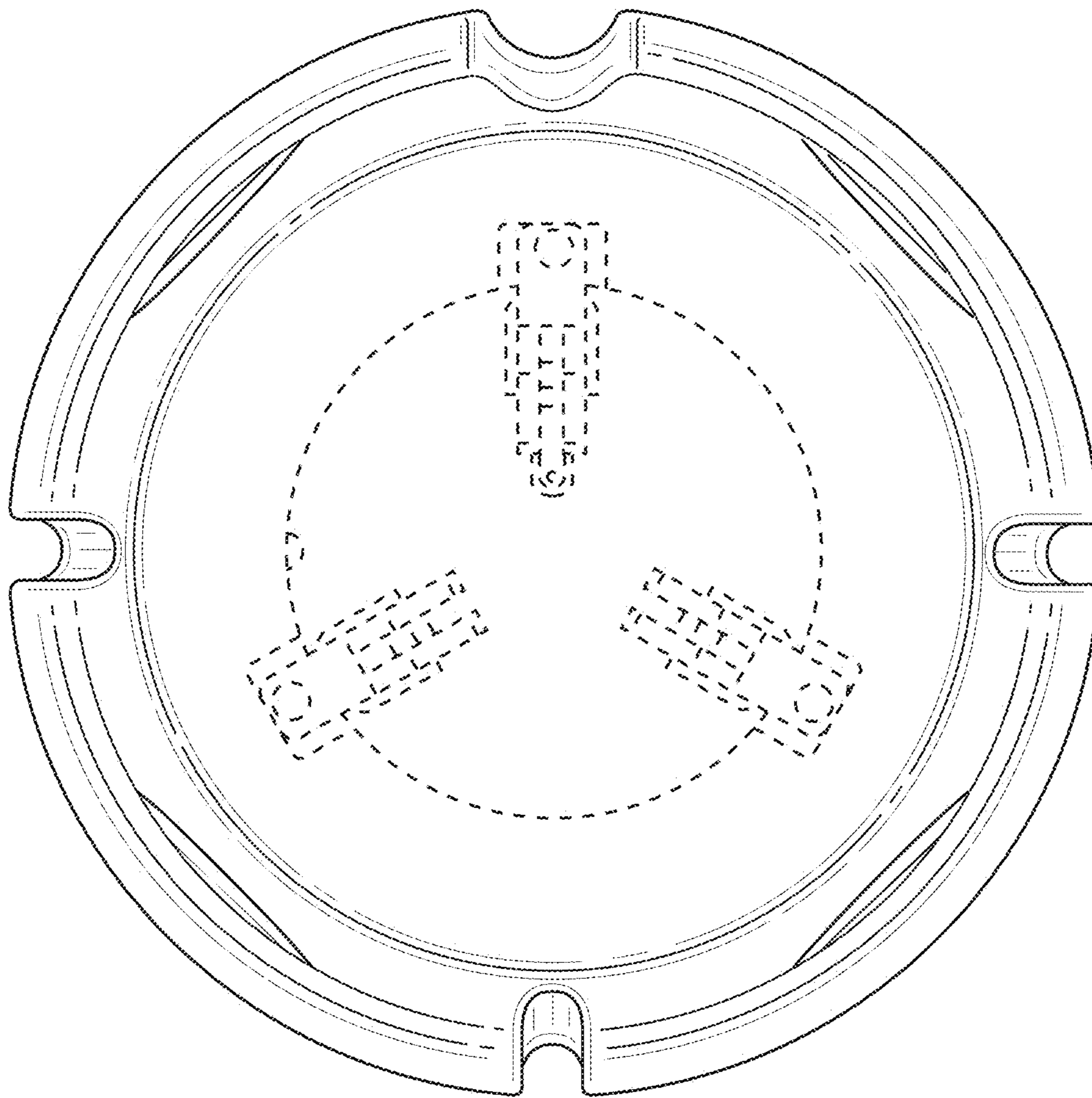
**FIG. 4**



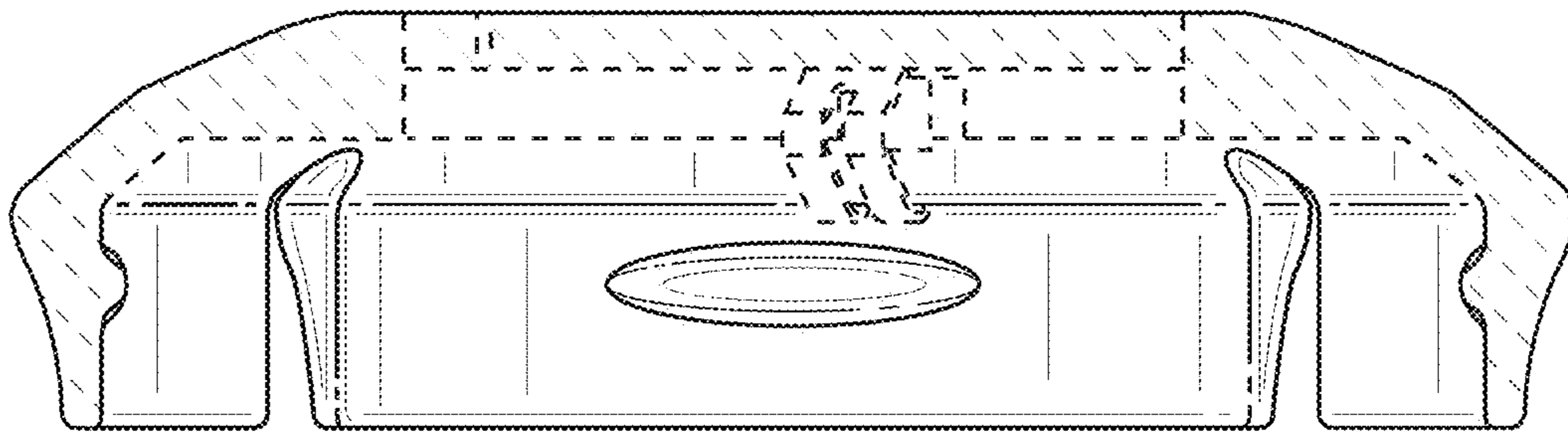
**FIG. 5**



**FIG. 6**



**FIG. 7**



**FIG. 8**