



US00D903124S

(12) **United States Design Patent** (10) **Patent No.:** **US D903,124 S**  
**Solie** (45) **Date of Patent:** **\*\* Nov. 24, 2020**

(54) **CLINICIAN STATION**  
(71) Applicant: **Leonard Solie**, Tampa, FL (US)  
(72) Inventor: **Leonard Solie**, Tampa, FL (US)  
(\*\*) Term: **15 Years**  
(21) Appl. No.: **29/693,357**  
(22) Filed: **Jun. 1, 2019**

D658,295 S \* 4/2012 Geijsen ..... D24/158  
D695,410 S \* 12/2013 Becker ..... D14/371  
D712,539 S \* 9/2014 Hansen ..... D24/158  
D735,343 S \* 7/2015 Dorsey ..... D24/186  
D735,868 S \* 8/2015 Mareguddi ..... D24/185  
D746,925 S \* 1/2016 Firth ..... D10/93  
D783,604 S \* 4/2017 Wesolek ..... D14/341  
D804,013 S \* 11/2017 Carreon ..... D24/107  
D804,671 S \* 12/2017 Yanase ..... D24/160  
D854,188 S \* 7/2019 Schacken ..... D24/232  
D859,634 S \* 9/2019 Hochman ..... D24/108  
2005/0241026 A1\* 10/2005 Esler ..... G06Q 50/22  
705/2  
2005/0288571 A1\* 12/2005 Perkins ..... A61B 5/0002  
600/407

**Related U.S. Application Data**

(63) Continuation of application No. 16/275,741, filed on Feb. 14, 2019.  
(51) **LOC (12) Cl.** ..... **24-02**  
(52) **U.S. Cl.**  
USPC ..... **D24/185**  
(58) **Field of Classification Search**  
USPC ..... D24/185, 186, 108, 232, 160, 158, 107,  
D24/111; D14/341, 371, 375; D10/93  
CPC ..... A61B 17/3213; A61B 8/00; A61B 5/0002;  
A61C 19/04; A61M 5/14244  
See application file for complete search history.

\* cited by examiner

*Primary Examiner* — Rhea Shields

(74) *Attorney, Agent, or Firm* — John Rizvi; John Rizvi, P.A.—The Patent Professor®

(57) **CLAIM**

I claim the ornamental design for a clinician station, as shown and described.

**DESCRIPTION**

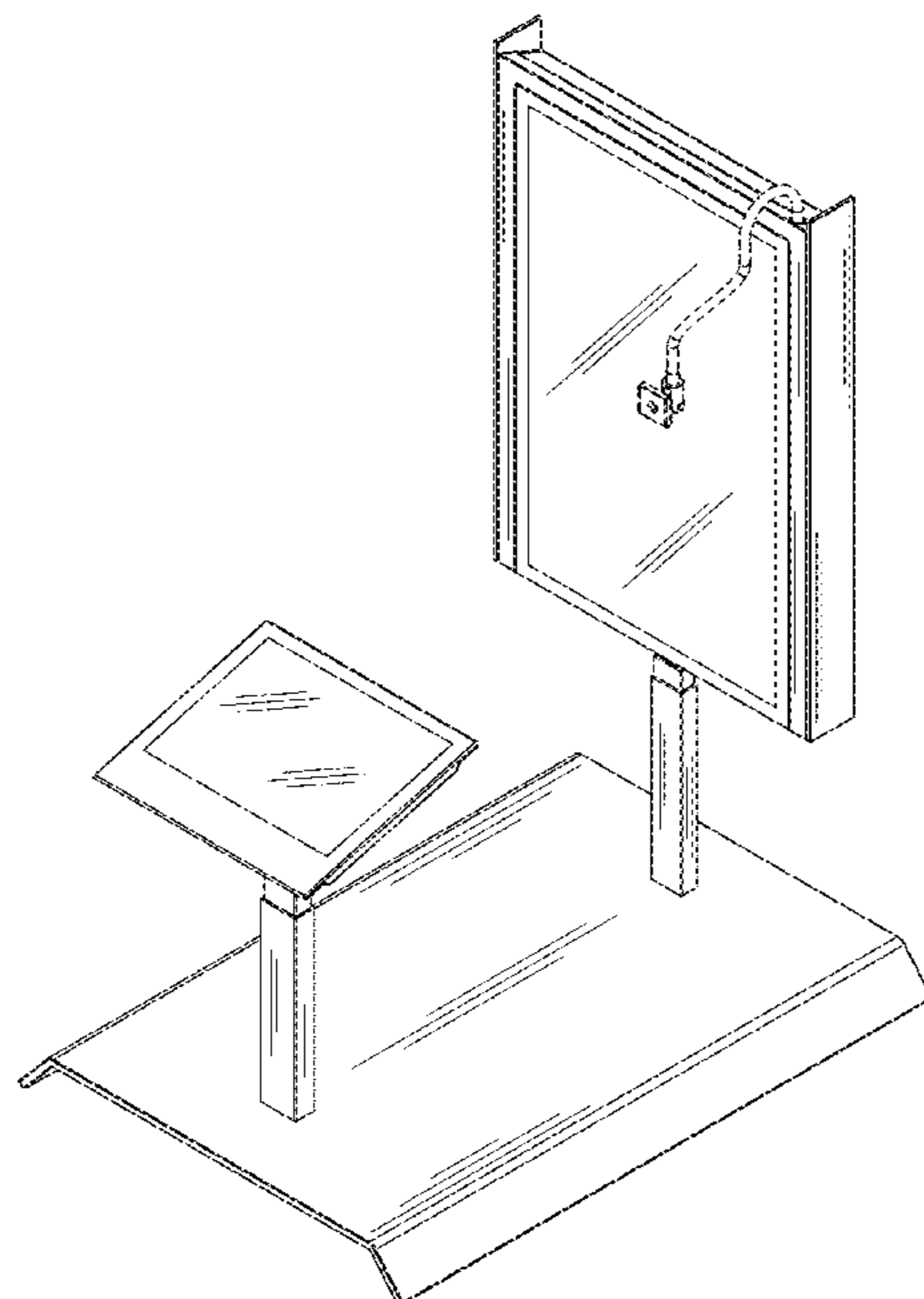
FIG. 1 is a top front isometric view of a clinician station showing my new design;  
FIG. 2 is a top rear isometric view thereof;  
FIG. 3 is a front elevation view thereof;  
FIG. 4 is a rear elevation view thereof;  
FIG. 5 is a left side elevation view thereof;  
FIG. 6 is a right side elevation view thereof;  
FIG. 7 is a top plan view thereof; and,  
FIG. 8 is a bottom plan view thereof.  
In the drawings, the broken lines are for the purpose of illustrating portions of the clinician station that forms no part of the claimed design.

(56) **References Cited**

**U.S. PATENT DOCUMENTS**

5,255,682 A \* 10/1993 Pawluskiewicz ..... A61B 8/00  
600/447  
D355,716 S \* 2/1995 Nash ..... D24/111  
5,486,109 A \* 1/1996 Hunter ..... A61C 19/04  
433/72  
D390,666 S \* 2/1998 Lagerlof ..... D24/186  
5,924,206 A \* 7/1999 Cote ..... A61B 17/3213  
30/337  
6,190,367 B1 \* 2/2001 Hall ..... A61M 5/14244  
604/181  
D484,131 S \* 12/2003 Olson ..... D14/375

**1 Claim, 8 Drawing Sheets**



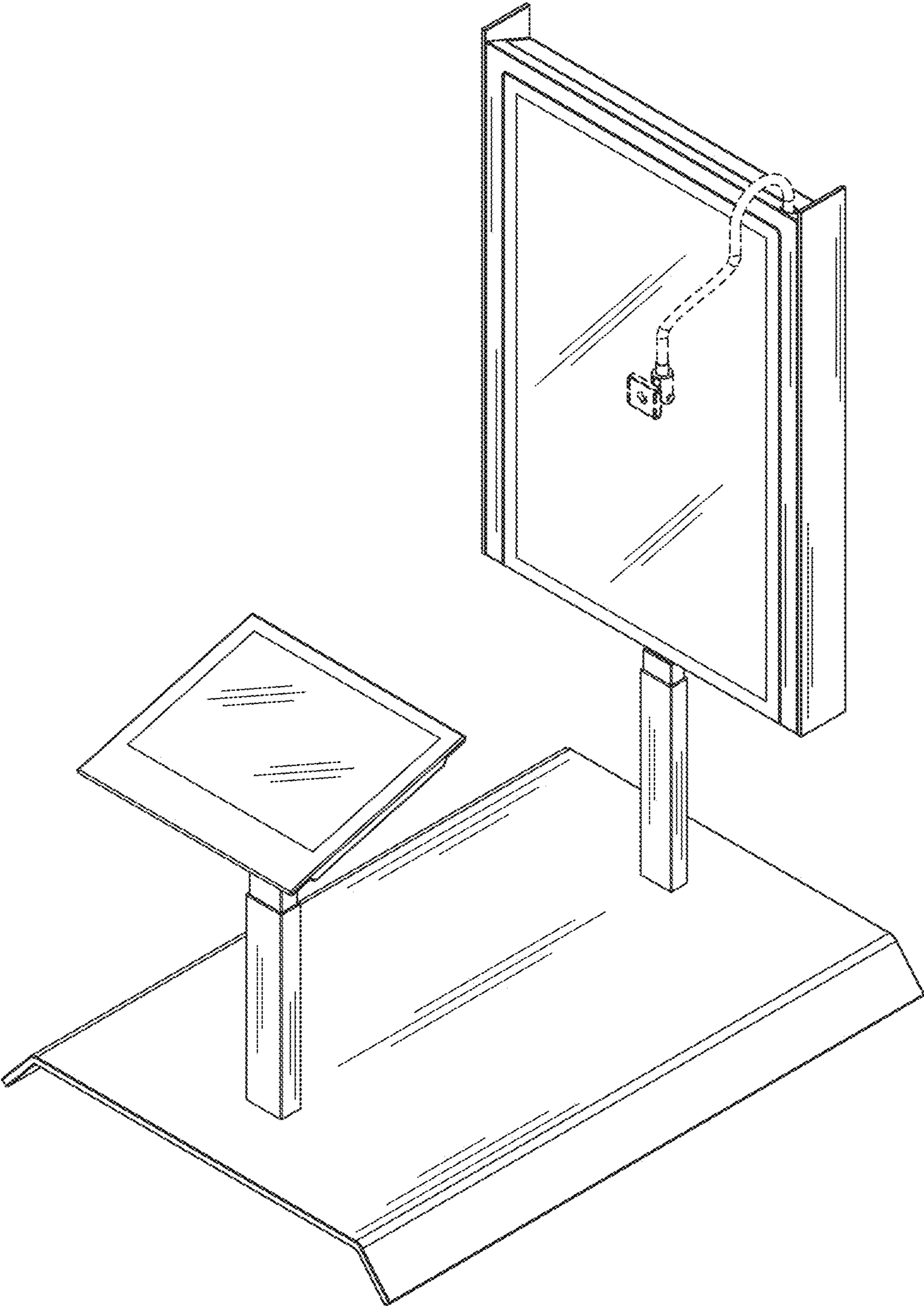


FIG. 1

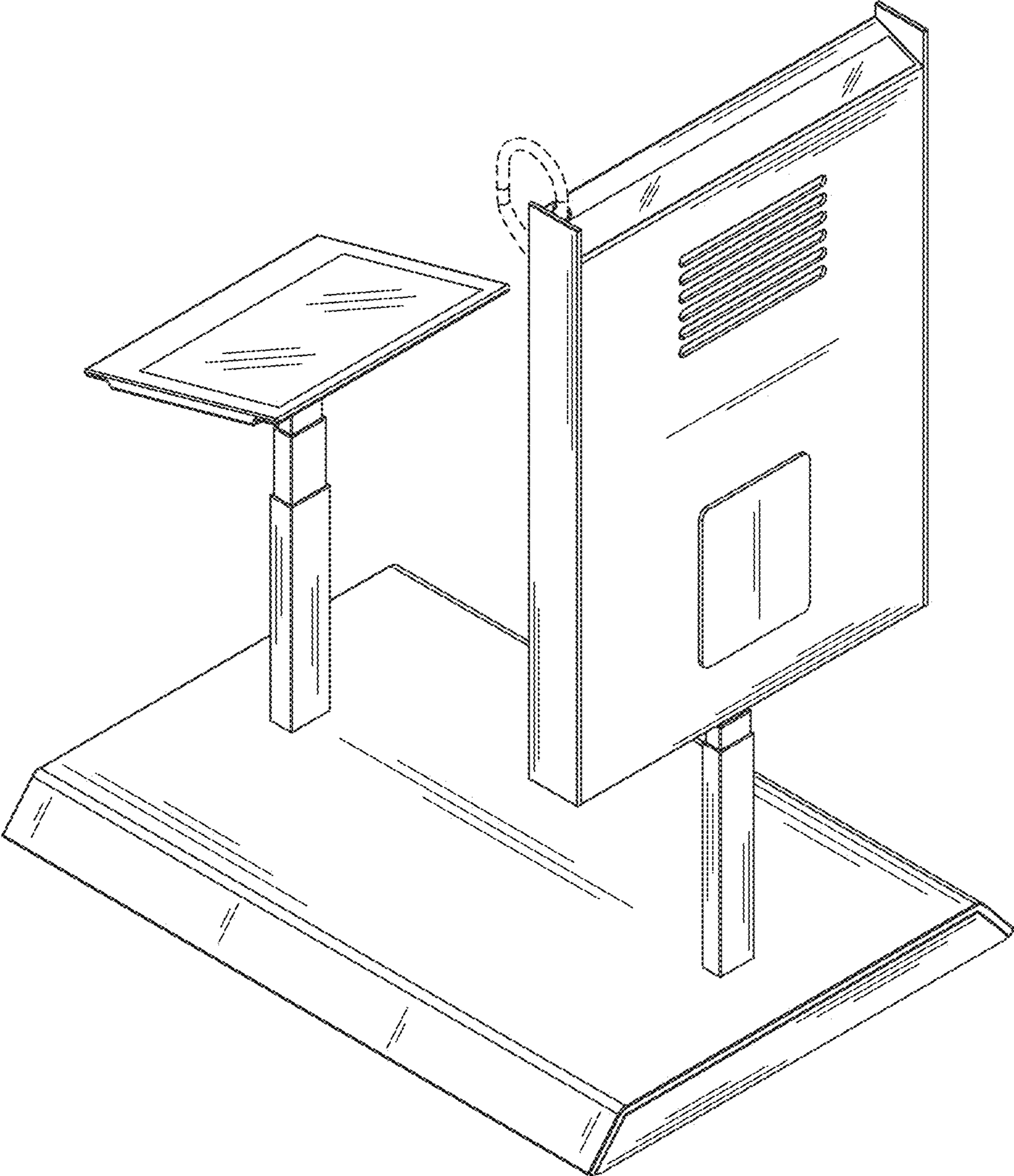


FIG. 2

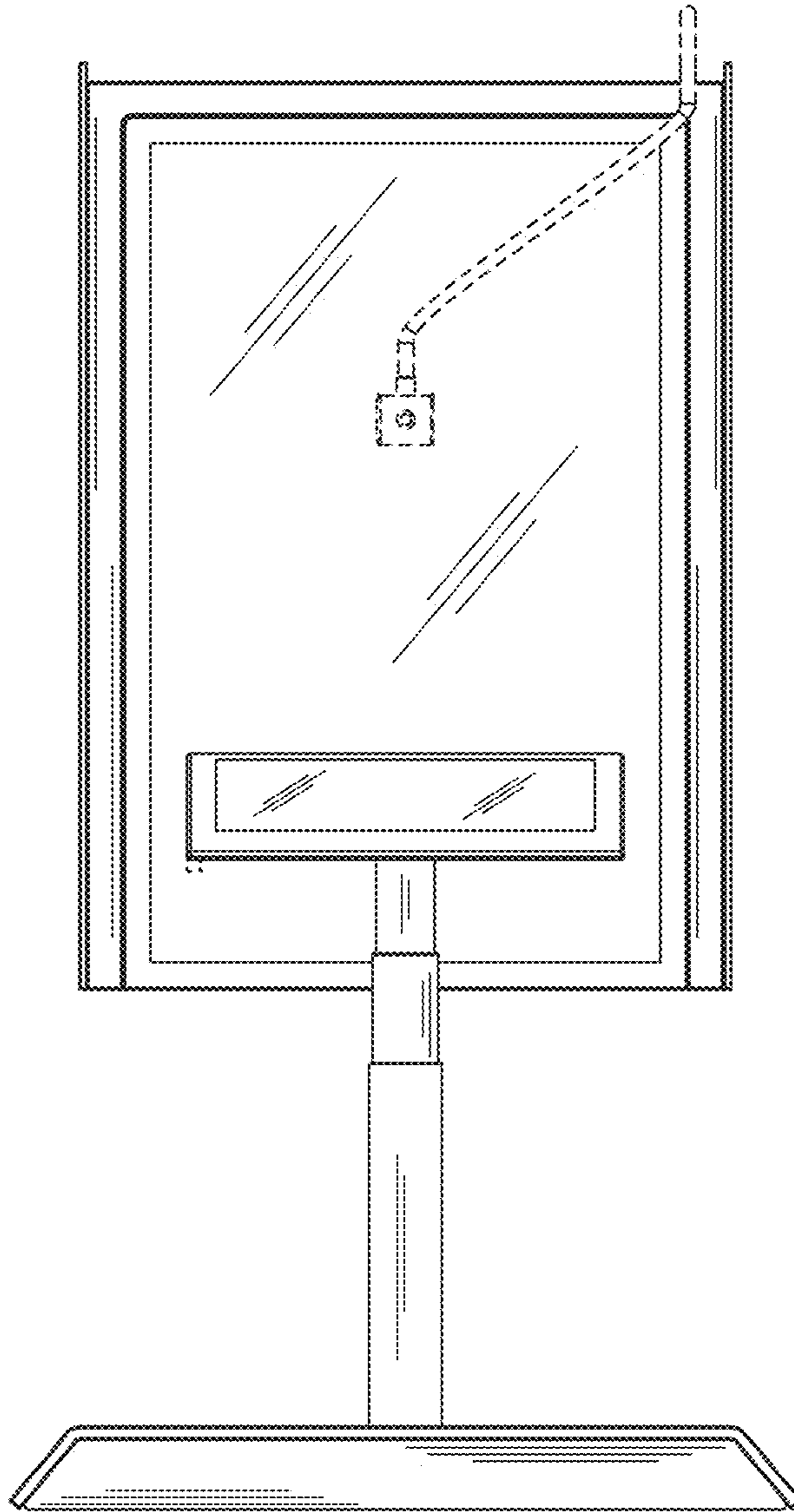


FIG. 3

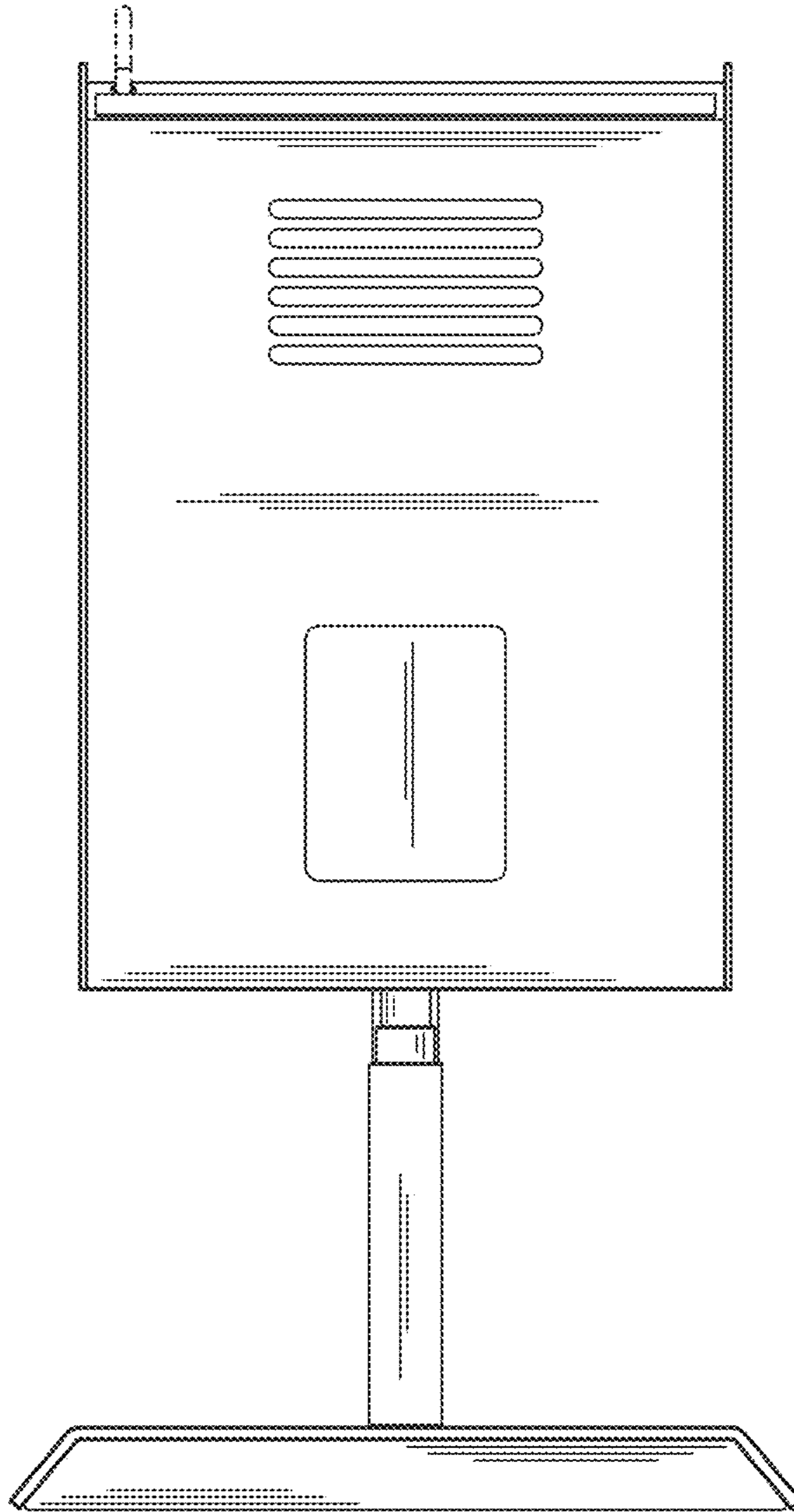


FIG. 4

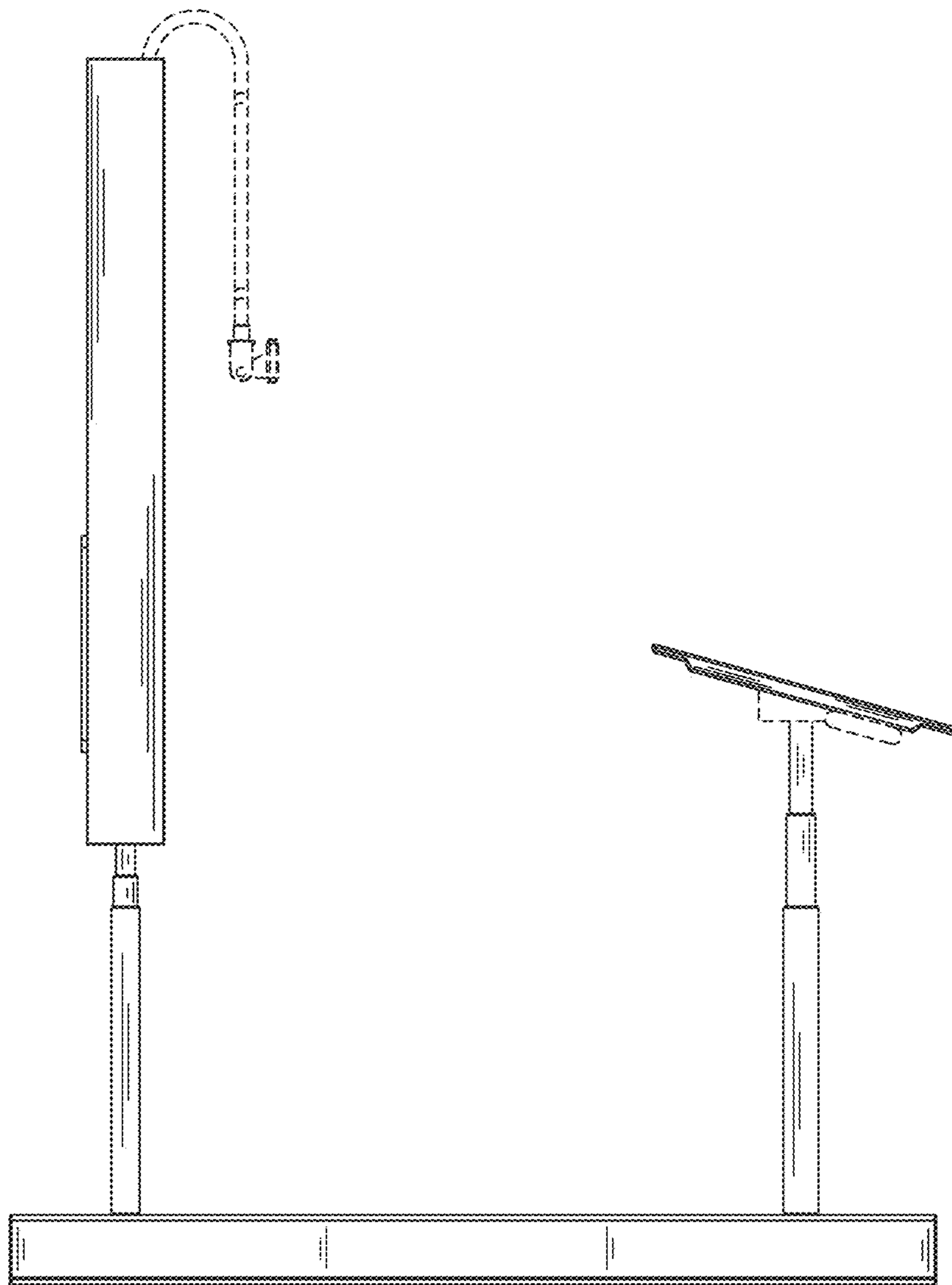


FIG. 5

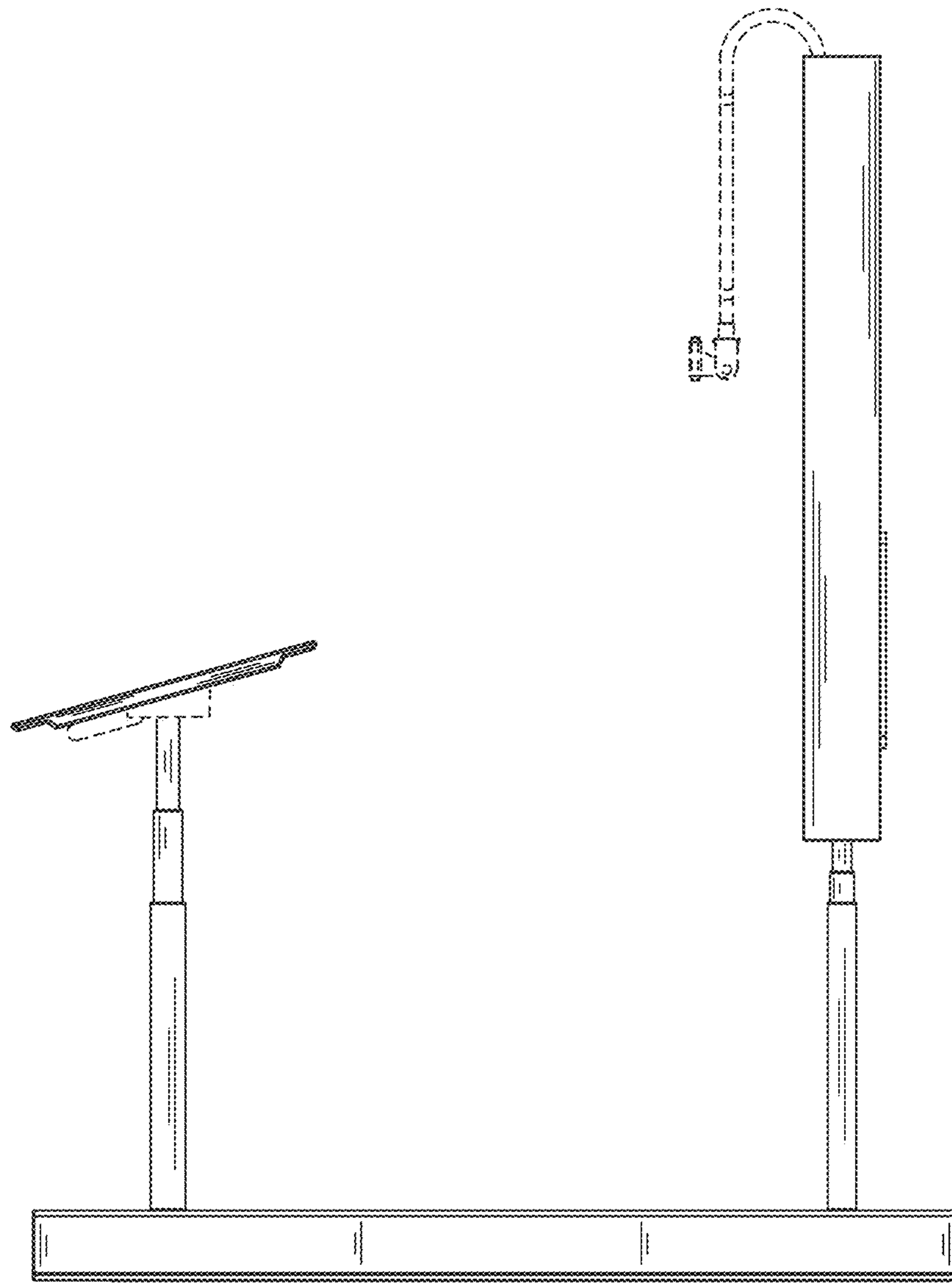


FIG. 6

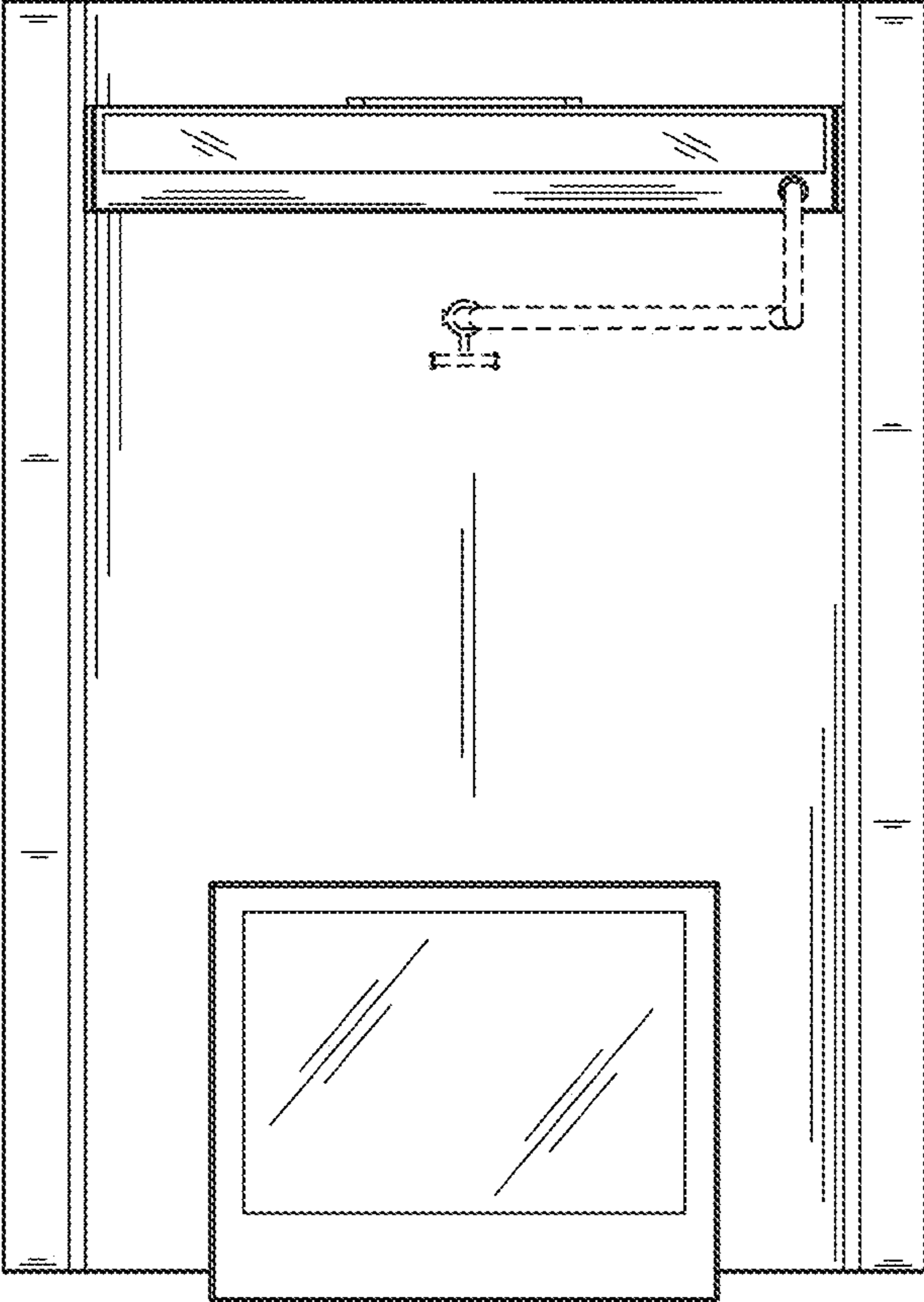


FIG. 7



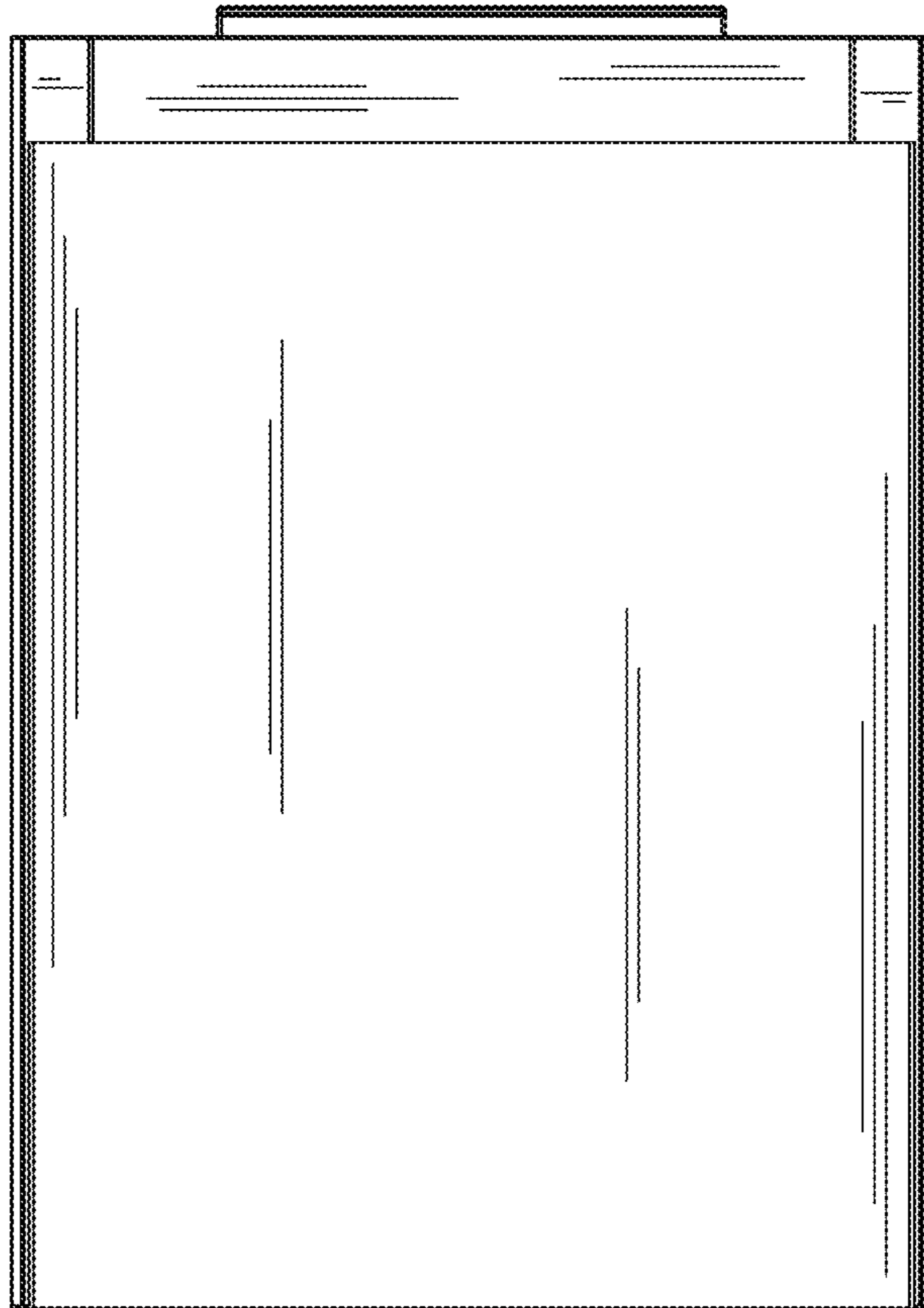


FIG. 8