



US00D903121S

(12) **United States Design Patent** (10) **Patent No.:** **US D903,121 S**  
**Chan et al.** (45) **Date of Patent:** **\*\* Nov. 24, 2020**

(54) **VASCULAR ACCESS PORT STEM**

(74) *Attorney, Agent, or Firm* — Rutan & Tucker LLP

(71) Applicant: **C. R. Bard, Inc.**, Franklin Lakes, NJ (US)

(57) **CLAIM**

The ornamental design for a vascular access port stem, as shown and described.

(72) Inventors: **Jennifer W. Chan**, Salt Lake City, UT (US); **Jason R. Stats**, Layton, UT (US)

**DESCRIPTION**

(73) Assignee: **C. R. Bard, Inc.**, Franklin Lakes, NJ (US)

(\*\*) Term: **15 Years**

(21) Appl. No.: **29/643,902**

(22) Filed: **Apr. 12, 2018**

**Related U.S. Application Data**

(62) Division of application No. 29/572,290, filed on Jul. 26, 2016, now Pat. No. Des. 816,228.

(51) **LOC (12) Cl.** ..... **24-01**

(52) **U.S. Cl.**  
USPC ..... **D24/169**

(58) **Field of Classification Search**  
USPC ..... D24/107, 108, 111, 169, 185, 186, 223, D24/231, 232, 110, 127, 129, 130  
(Continued)

FIG. 1 is a front perspective view of a first embodiment of a vascular access port stem;  
FIG. 2 is a rear perspective view of the vascular access port stem illustrated in FIG. 1;  
FIG. 3 is a first side view of the vascular access port stem illustrated in FIG. 1;  
FIG. 4 is a second side view of the vascular access port stem illustrated in FIG. 1;  
FIG. 5 is a top view of the vascular access port stem illustrated in FIG. 1;  
FIG. 6 is a bottom view of the vascular access port stem illustrated in FIG. 1;  
FIG. 7 is a front view of the vascular access port stem illustrated in FIG. 1;  
FIG. 8 is a rear view of the vascular access port stem illustrated in FIG. 1;  
FIG. 9 is a front perspective view of a second embodiment of a vascular access port stem;  
FIG. 10 is a rear perspective view of the vascular access port stem illustrated in FIG. 9;  
FIG. 11 is a first side view of the vascular access port stem illustrated in FIG. 9;  
FIG. 12 is a second side view of the vascular access port stem illustrated in FIG. 9;  
FIG. 13 is a top view of the vascular access port stem illustrated in FIG. 9;  
FIG. 14 is a bottom view of the vascular access port stem illustrated in FIG. 9;  
FIG. 15 is a front view of the vascular access port stem illustrated in FIG. 9; and  
FIG. 16 is a rear view of the vascular access port stem illustrated in FIG. 9.  
The broken lines immediately adjacent the shaded areas represent the bounds of the claimed design while all other

(Continued)

**References Cited**

**U.S. PATENT DOCUMENTS**

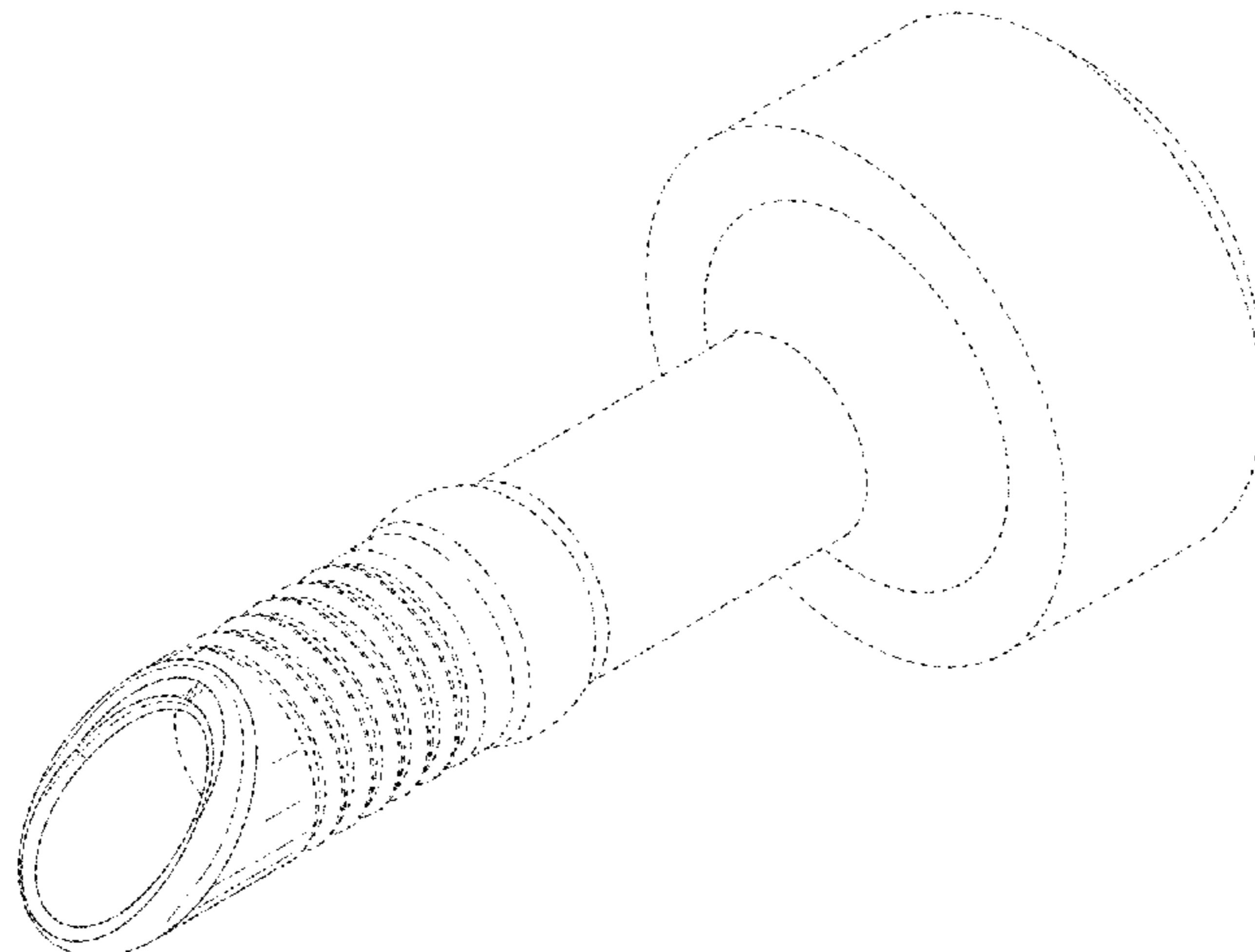
4,187,848 A 2/1980 Taylor  
4,567,882 A 2/1986 Heller  
(Continued)

**OTHER PUBLICATIONS**

U.S. Appl. No. 29/572,290, filed Jul. 26, 2016 Notice of Allowance dated Dec. 18, 2017.

(Continued)

*Primary Examiner* — Lilyana Bekic  
*Assistant Examiner* — Mary Shannon Malley



broken lines are directed to environment; the broken lines form no part of the claimed design.

**1 Claim, 8 Drawing Sheets**

(58) **Field of Classification Search**

CPC .... A61M 1/16; A61M 1/1601; A61M 1/1621;  
A61M 1/1654; A61M 1/36; A61M  
1/3693; A61M 1/3696; A61M 2209/084;  
A61M 2205/502; A61M 2205/505; A61M  
39/0208; A16B 50/10; A16B 50/13; A16B  
50/15; A16B 5/0537; G01G 19/44; G01G  
19/4146

See application file for complete search history.

(56)

**References Cited**

U.S. PATENT DOCUMENTS

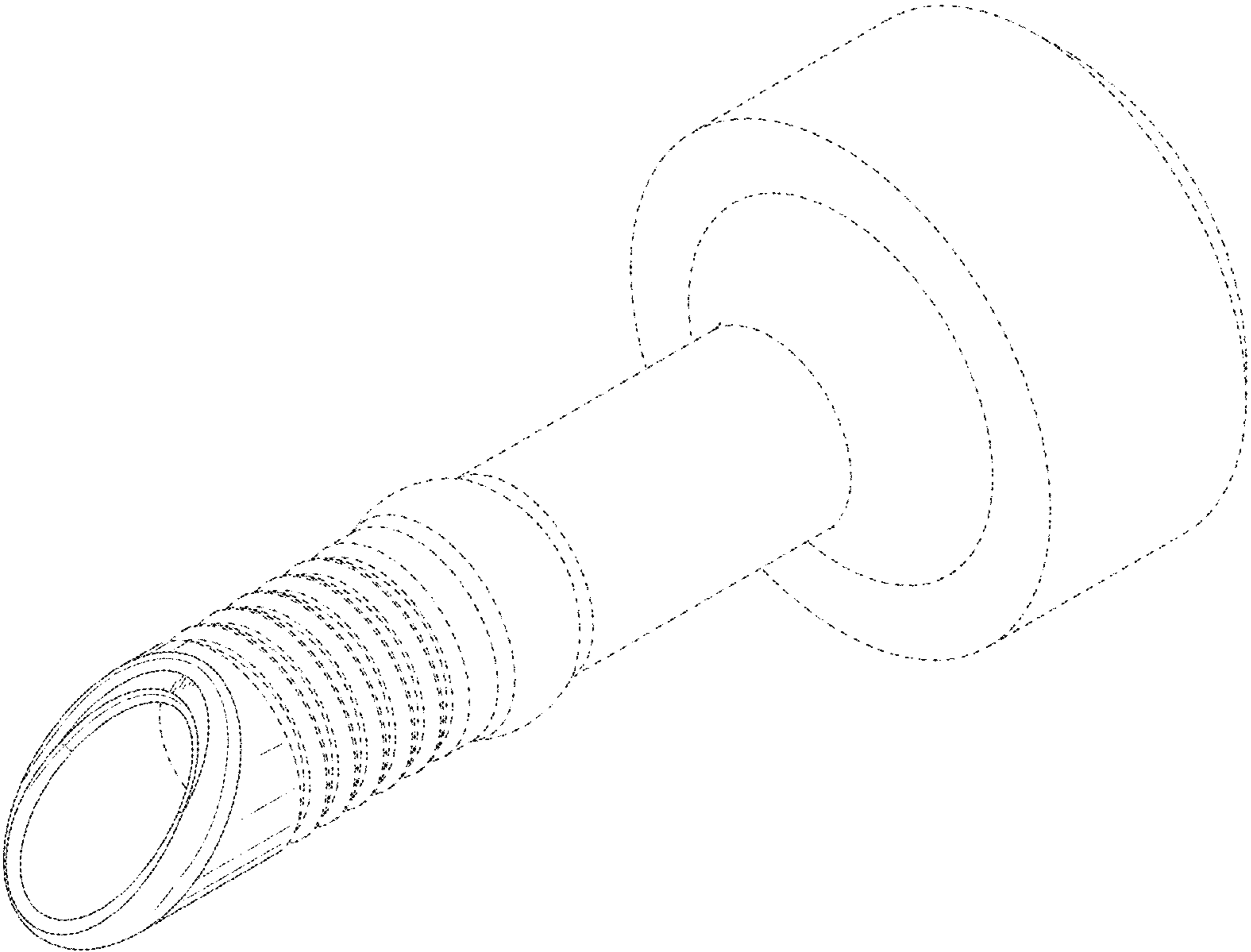
4,723,948	A	2/1988	Clark et al.	
4,772,270	A	9/1988	Wiita et al.	
4,929,236	A	5/1990	Sampson	
5,041,098	A	8/1991	Loiterman et al.	
D385,628	S	10/1997	Echevarria	
5,849,186	A	12/1998	Raneri et al.	
6,039,712	A	3/2000	Fogarty et al.	
6,221,064	B1	4/2001	Nadal	
6,352,521	B1	3/2002	Prosl	
6,398,764	B1	6/2002	Finch, Jr. et al.	
6,478,783	B1	11/2002	Moorehead	
D473,646	S	4/2003	Baillargeon et al.	
6,620,124	B1	9/2003	Peavey	
7,172,574	B2	2/2007	Lundgren et al.	
D541,936	S	5/2007	Patterson	
D559,980	S	1/2008	Rehbein et al.	
D570,479	S	6/2008	Rehbein et al.	
7,387,624	B2	6/2008	Nelson	
7,632,263	B2	12/2009	Denoth et al.	
7,819,840	B2	10/2010	Burnside et al.	
7,846,139	B2	12/2010	Zinn et al.	
D635,664	S	4/2011	Beck	
7,947,022	B2*	5/2011	Amin ..... A61M 5/007	
8,057,430	B2	11/2011	Grovender et al.	

D663,027	S	7/2012	Halder	
D671,209	S	11/2012	Row et al.	
D671,221	S	11/2012	Donaldson	
8,357,119	B2	1/2013	Stout et al.	
8,696,647	B2	4/2014	Bizup et al.	
8,738,151	B2	5/2014	Nelson	
D709,188	S	7/2014	Guala	
8,790,586	B2	7/2014	O'Connell et al.	
D715,920	S	10/2014	Floyd	
8,905,962	B2	12/2014	Asano et al.	
8,936,582	B2	1/2015	Szweda et al.	
9,114,227	B2	8/2015	Blanchard	
D739,527	S	9/2015	Chauvette	
9,149,621	B2	10/2015	Bizup	
9,186,455	B2	11/2015	Moyer	
9,186,491	B2	11/2015	Casiello et al.	
9,227,047	B2	1/2016	Khalaj	
D757,929	S	5/2016	Kerber et al.	
D773,660	S	12/2016	Shiozaki et al.	
D782,026	S	3/2017	Bresco Torras et al.	
D784,556	S	4/2017	Alden	
D790,697	S	6/2017	Bresco Torras et al.	
D791,317	S	7/2017	Bresco Torras et al.	
9,700,224	B2	7/2017	Ofek et al.	
9,750,910	B2	9/2017	Chaturvedi et al.	
D816,228	S	4/2018	Evans et al.	
D825,746	S*	8/2018	Davis ..... D24/129	
D865,954	S*	11/2019	Mottola ..... D24/129	
D877,900	S*	3/2020	Marici ..... D24/129	
10,582,997	B2*	3/2020	Edwin ..... C08L 75/04	
2007/0073250	A1	3/2007	Schneiter	
2007/0270770	A1	11/2007	Bizup	
2008/0319398	A1	12/2008	Bizup	
2009/0221960	A1	9/2009	Albrecht et al.	
2012/0041426	A1	2/2012	Bizup	
2012/0065625	A1	3/2012	Nelson	
2012/0116315	A1	5/2012	Klepac	
2013/0023729	A1	1/2013	Vazales et al.	
2015/0283371	A1	10/2015	Raman	
2019/0232035	A1*	8/2019	Fedor ..... A61M 1/3653	

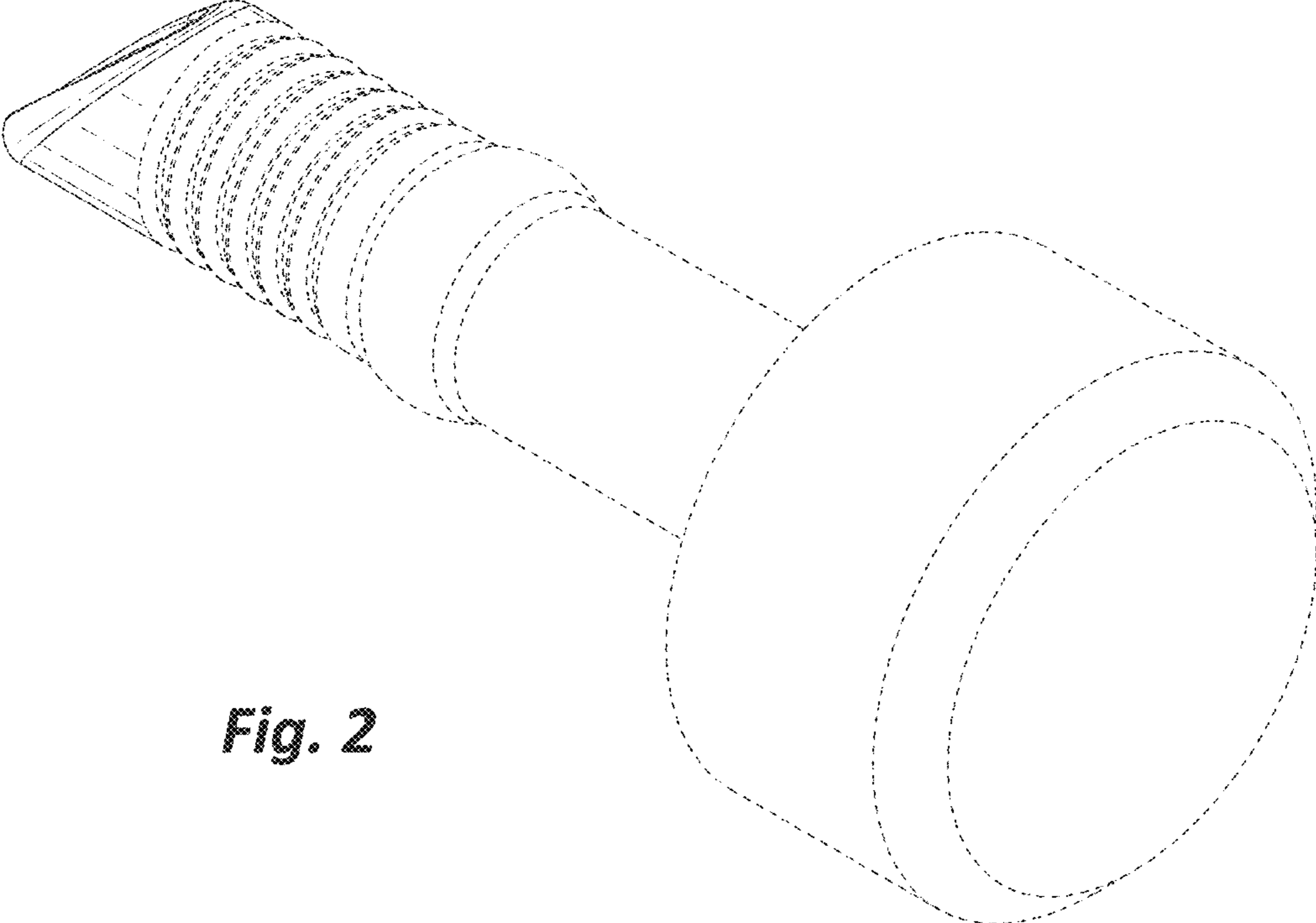
OTHER PUBLICATIONS

U.S. Appl. No. 29/572,290, filed Jul. 26, 2016 Restriction Requirement dated Sep. 12, 2017.

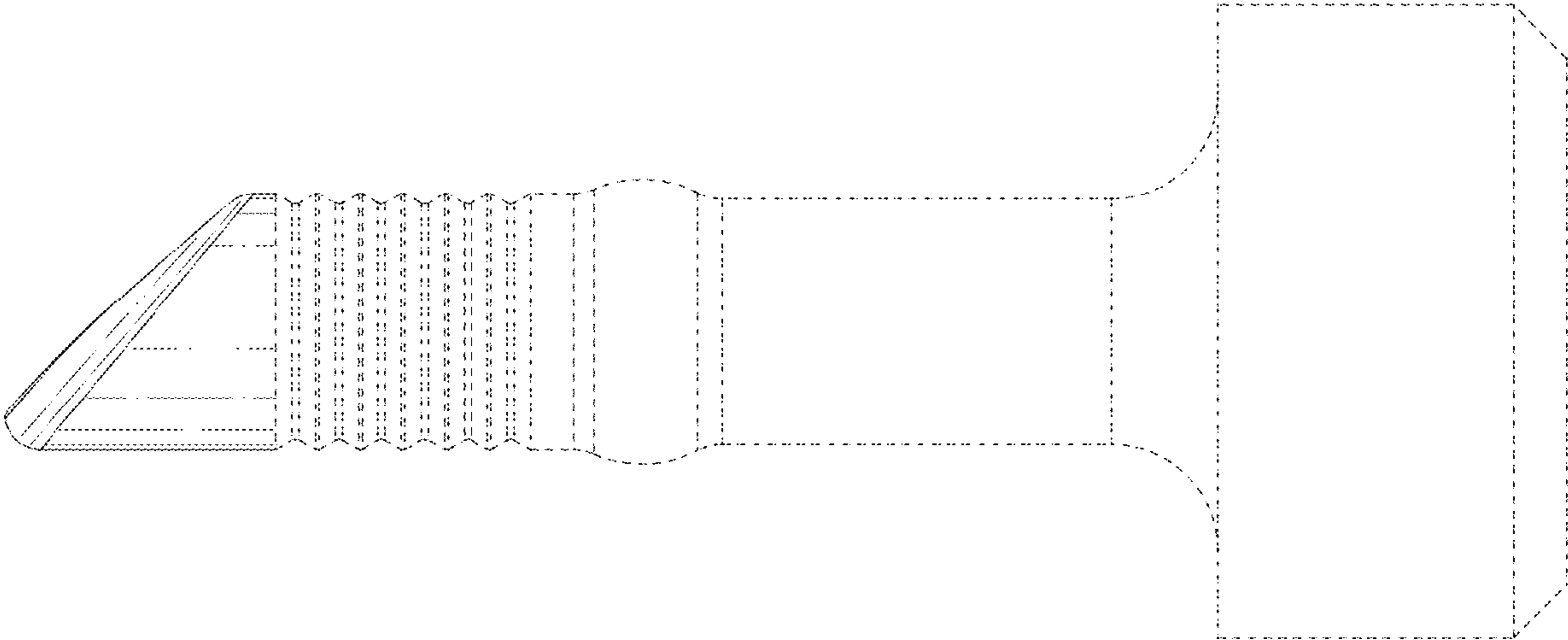
\* cited by examiner



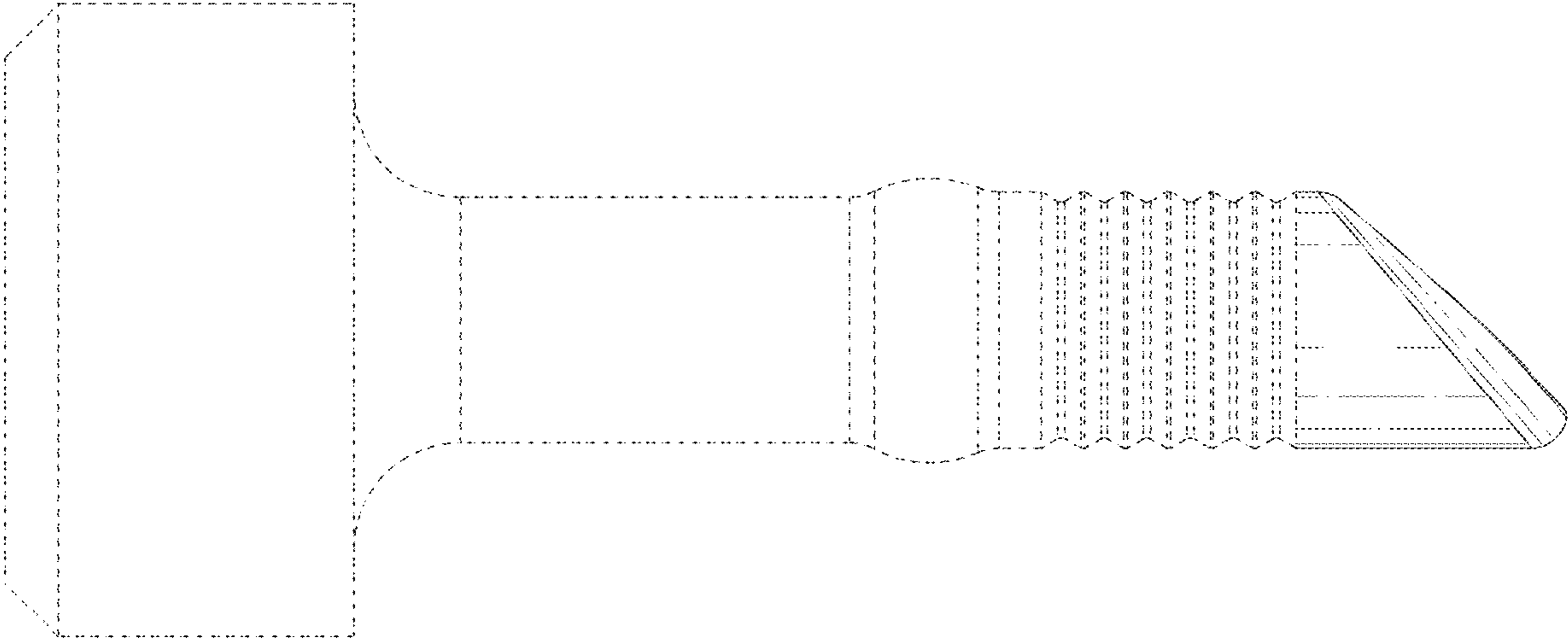
**Fig. 1**



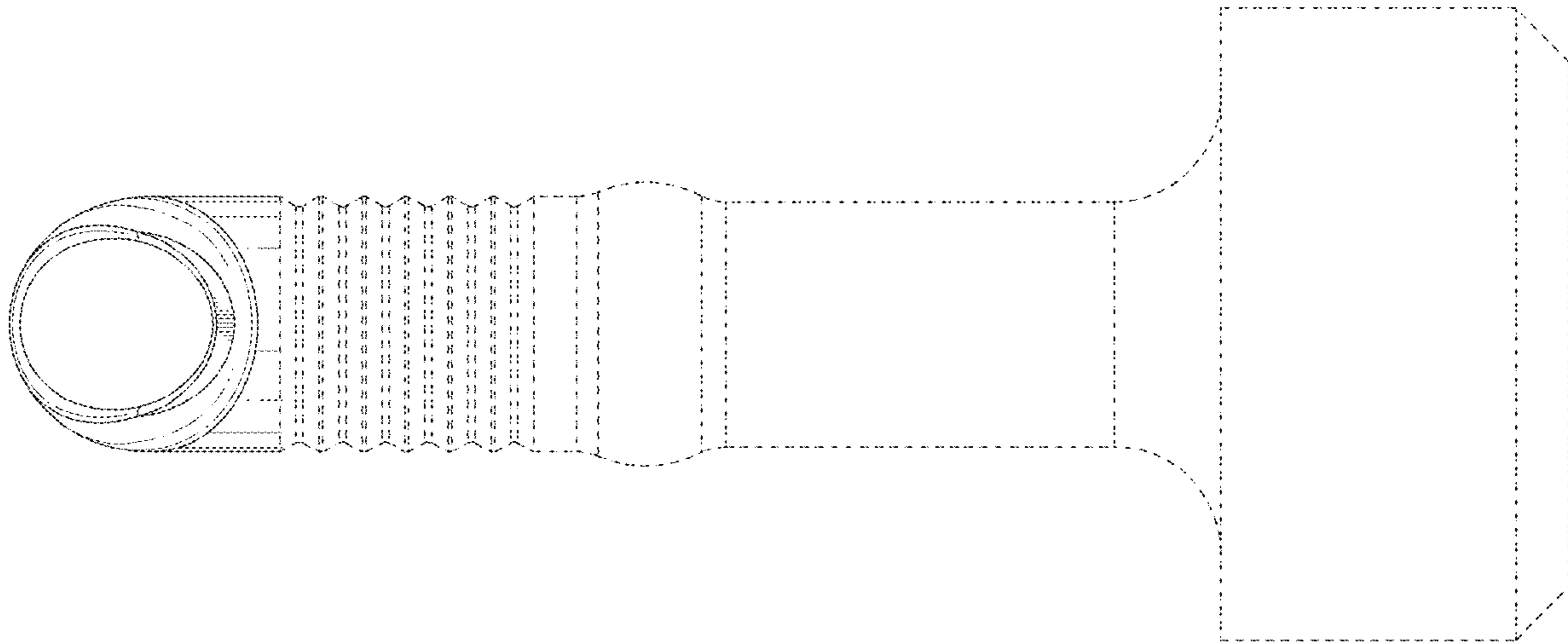
**Fig. 2**



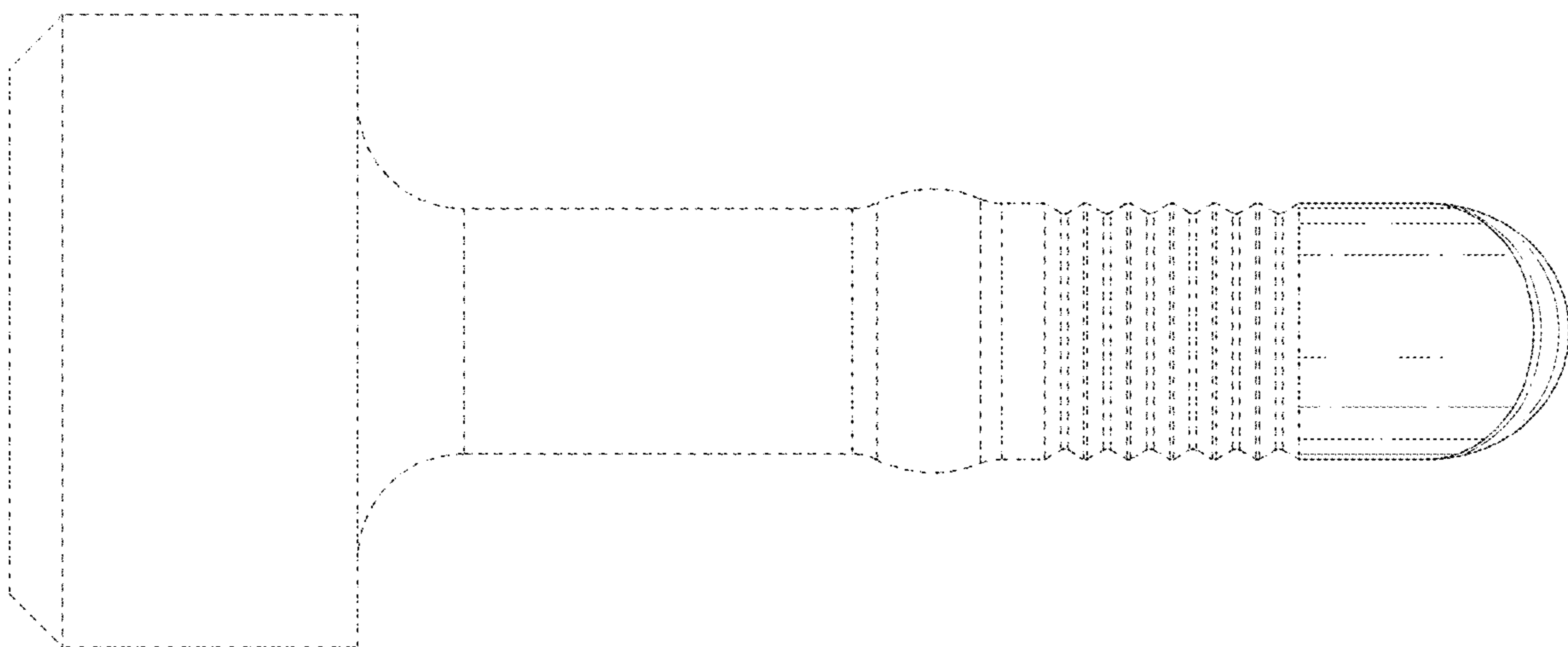
**Fig. 3**



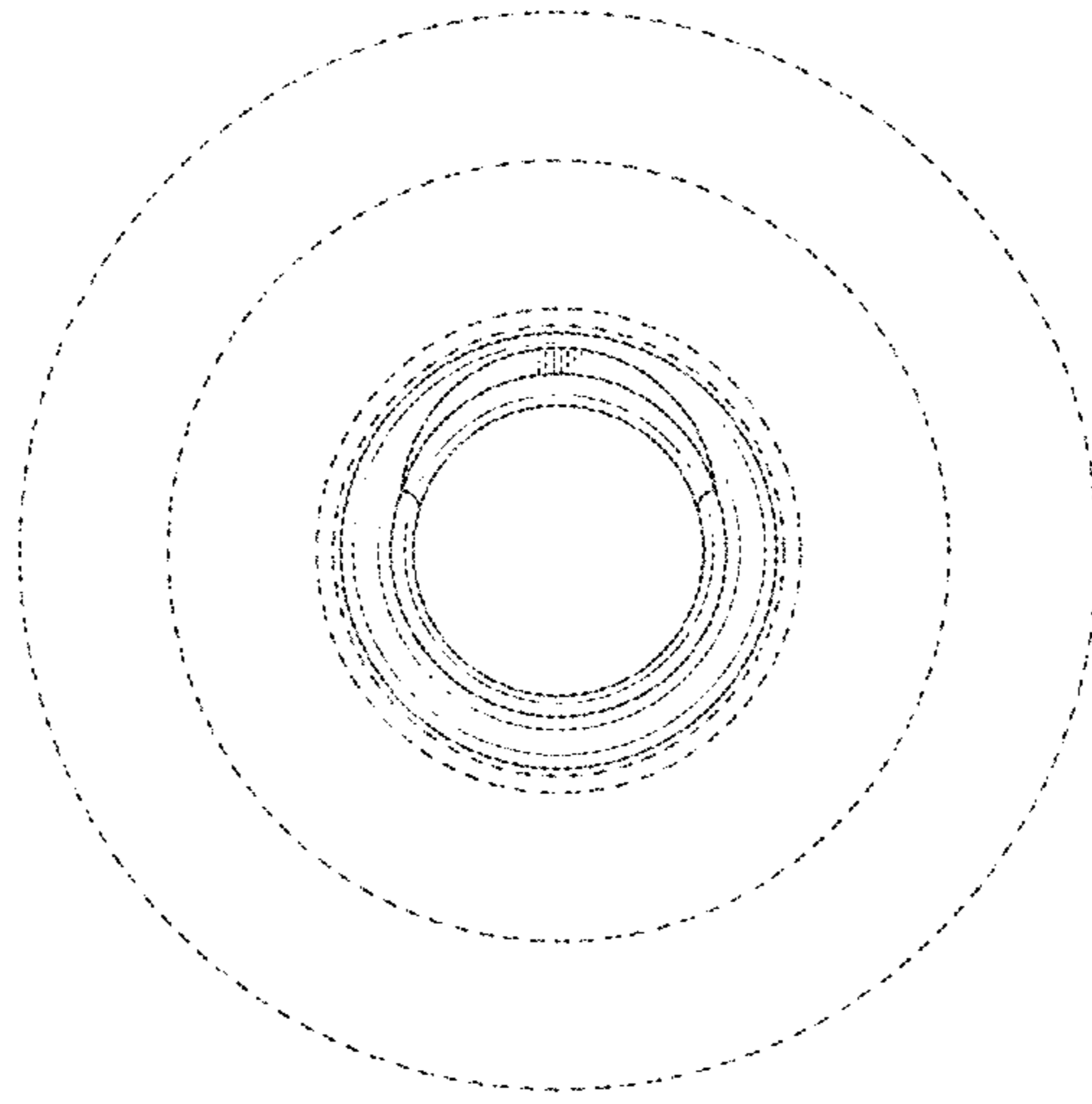
**Fig. 4**



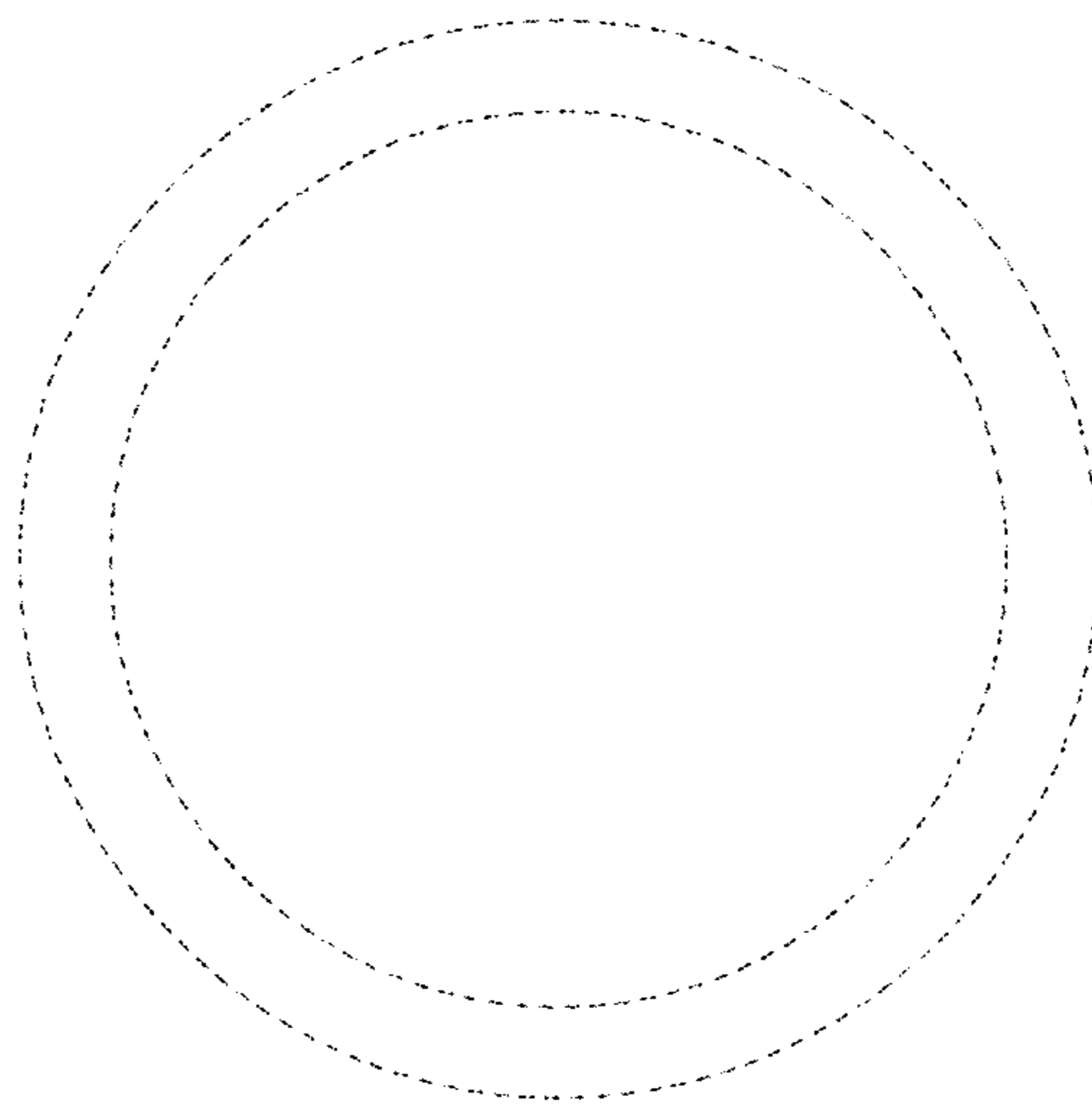
**Fig. 5**



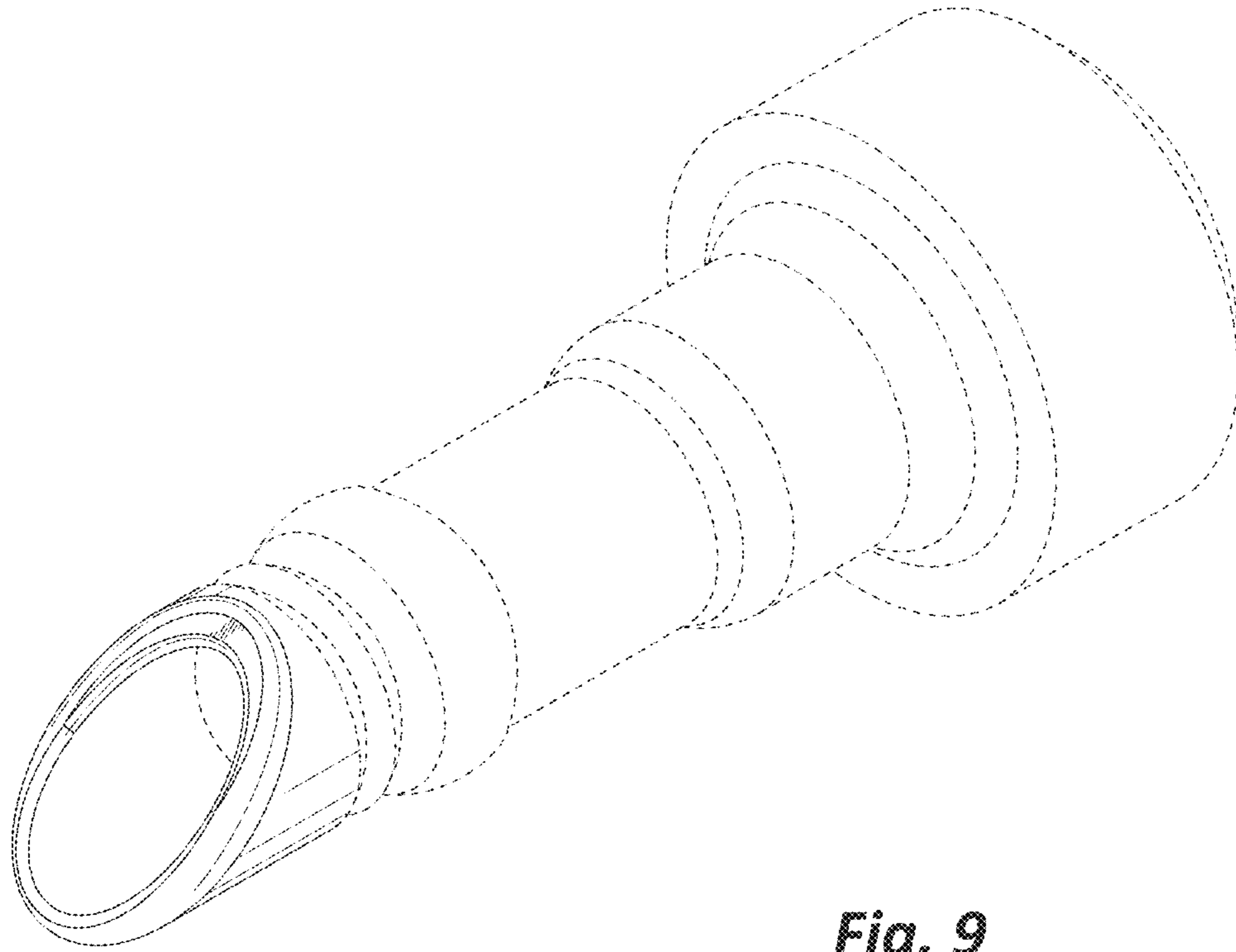
**Fig. 6**



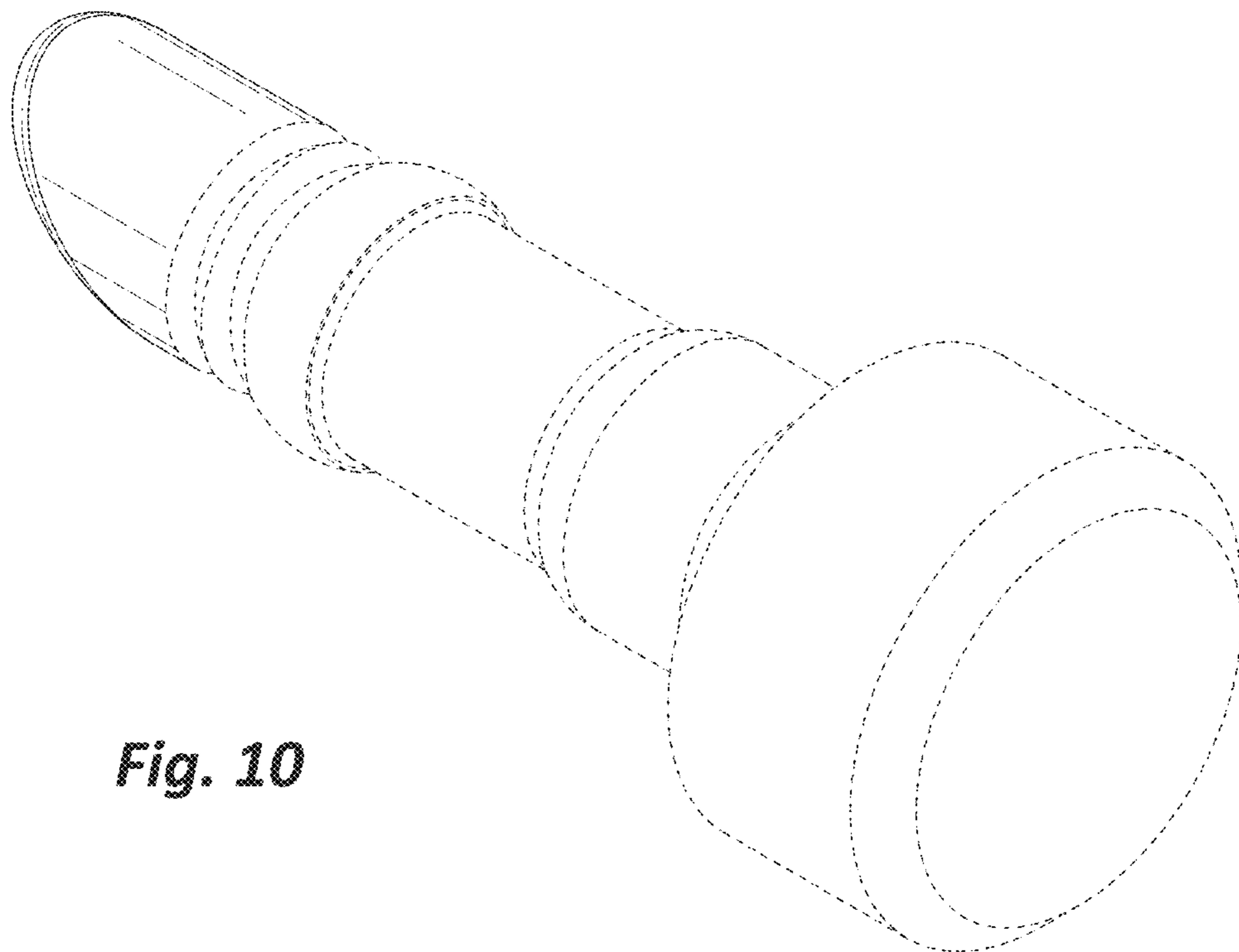
**Fig. 7**



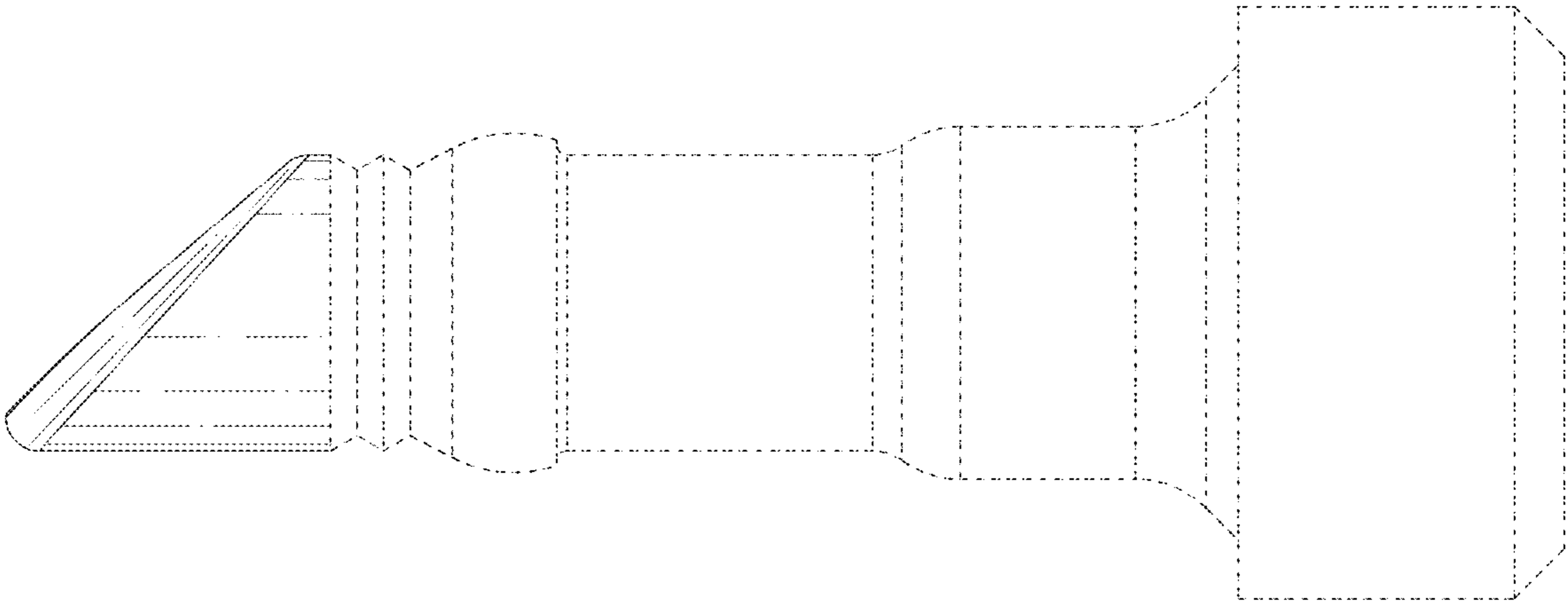
**Fig. 8**



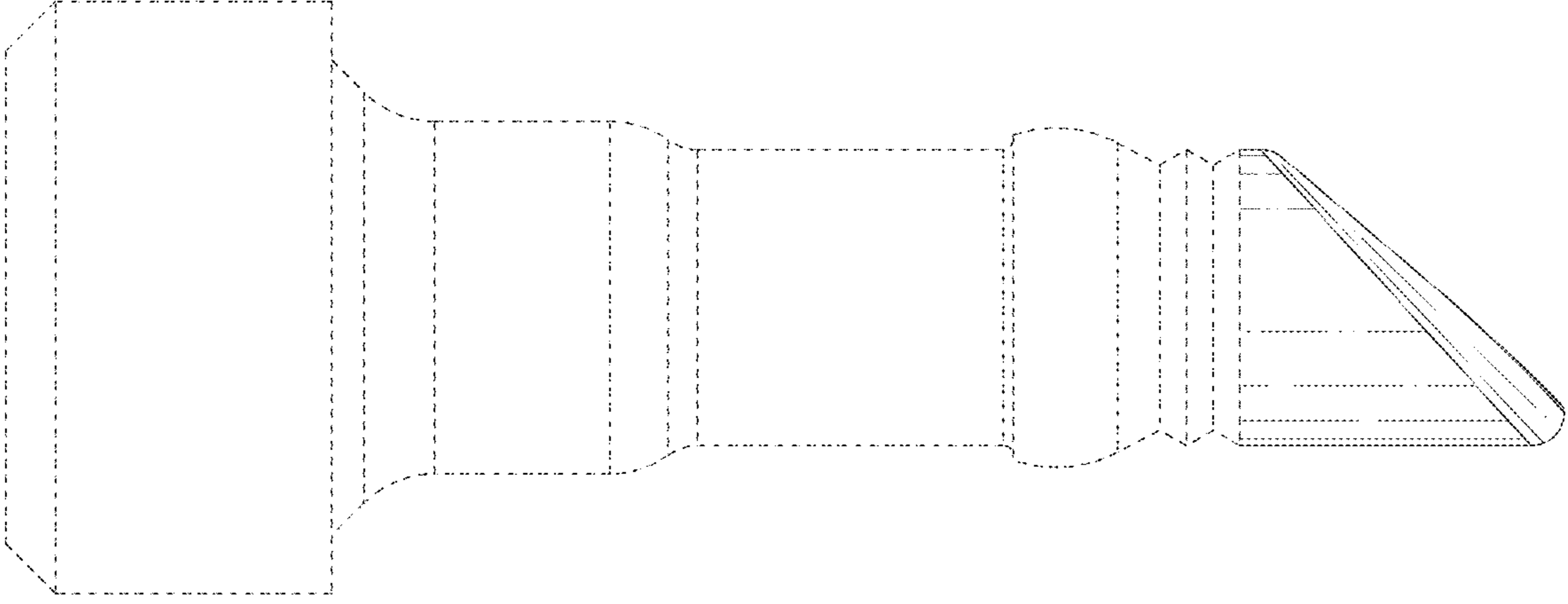
**Fig. 9**



**Fig. 10**

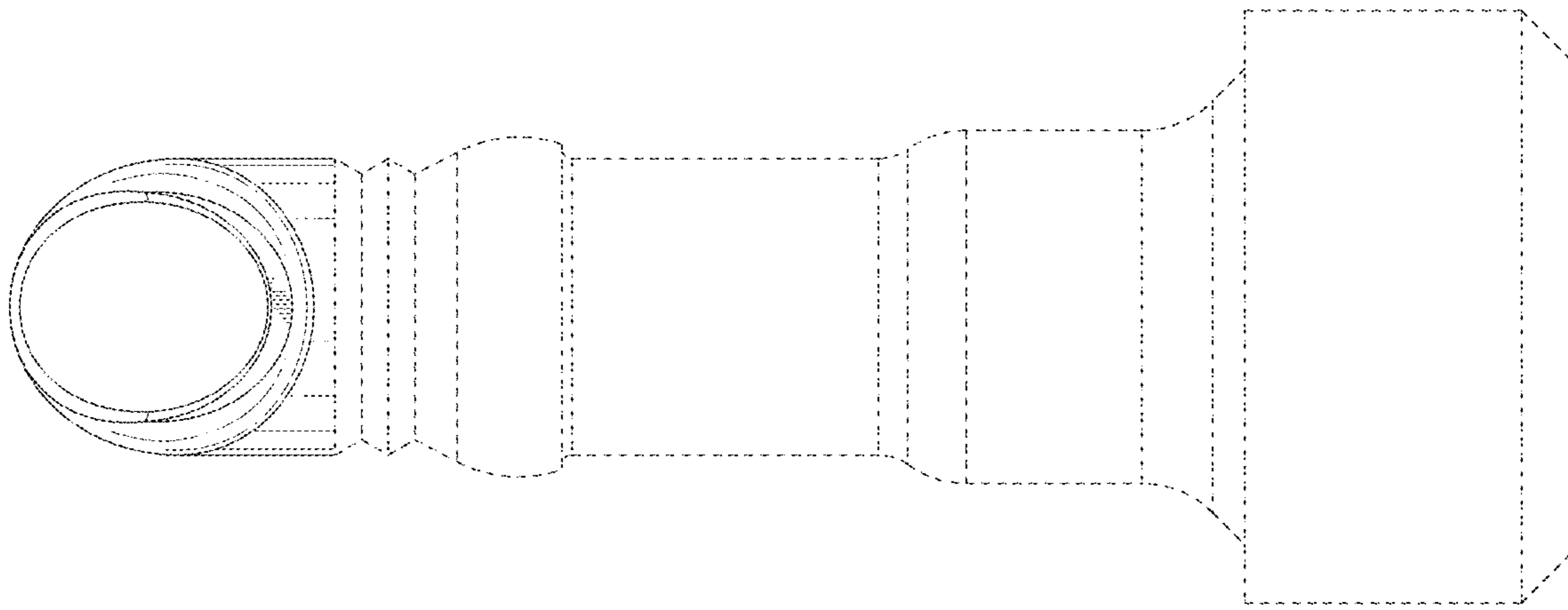


**Fig. 11**

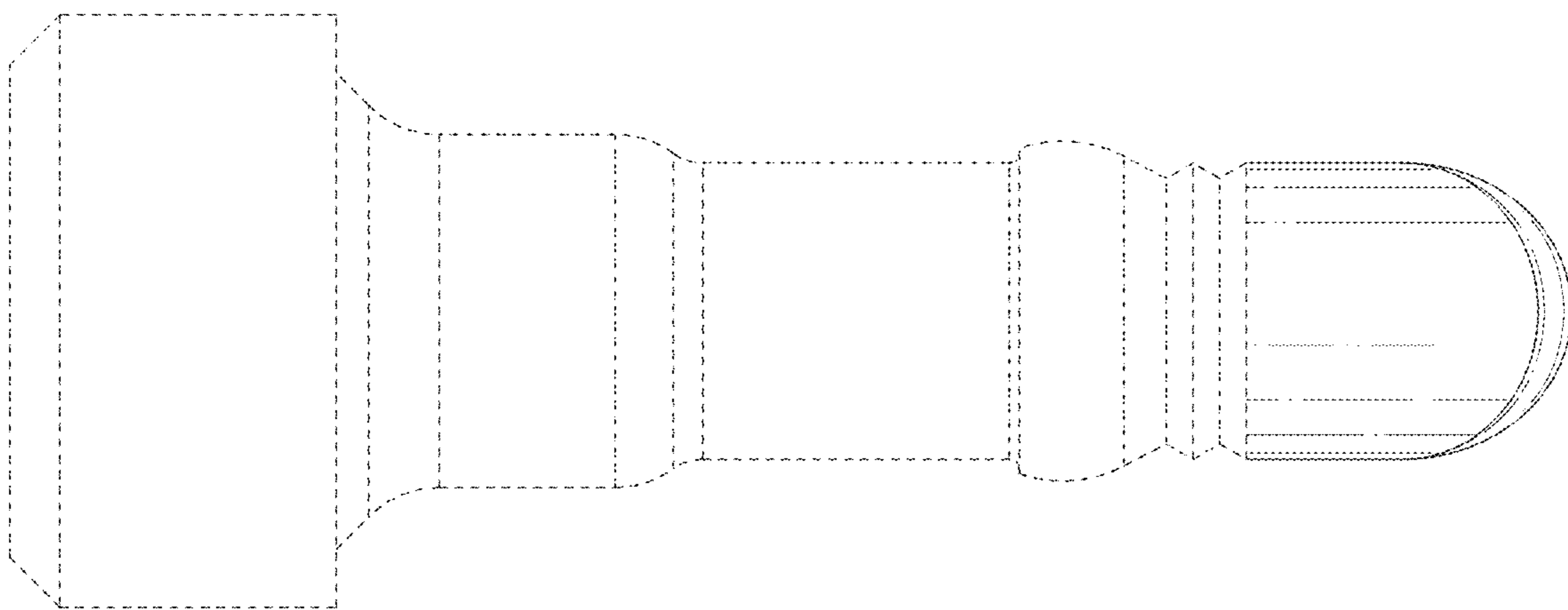


**Fig. 12**

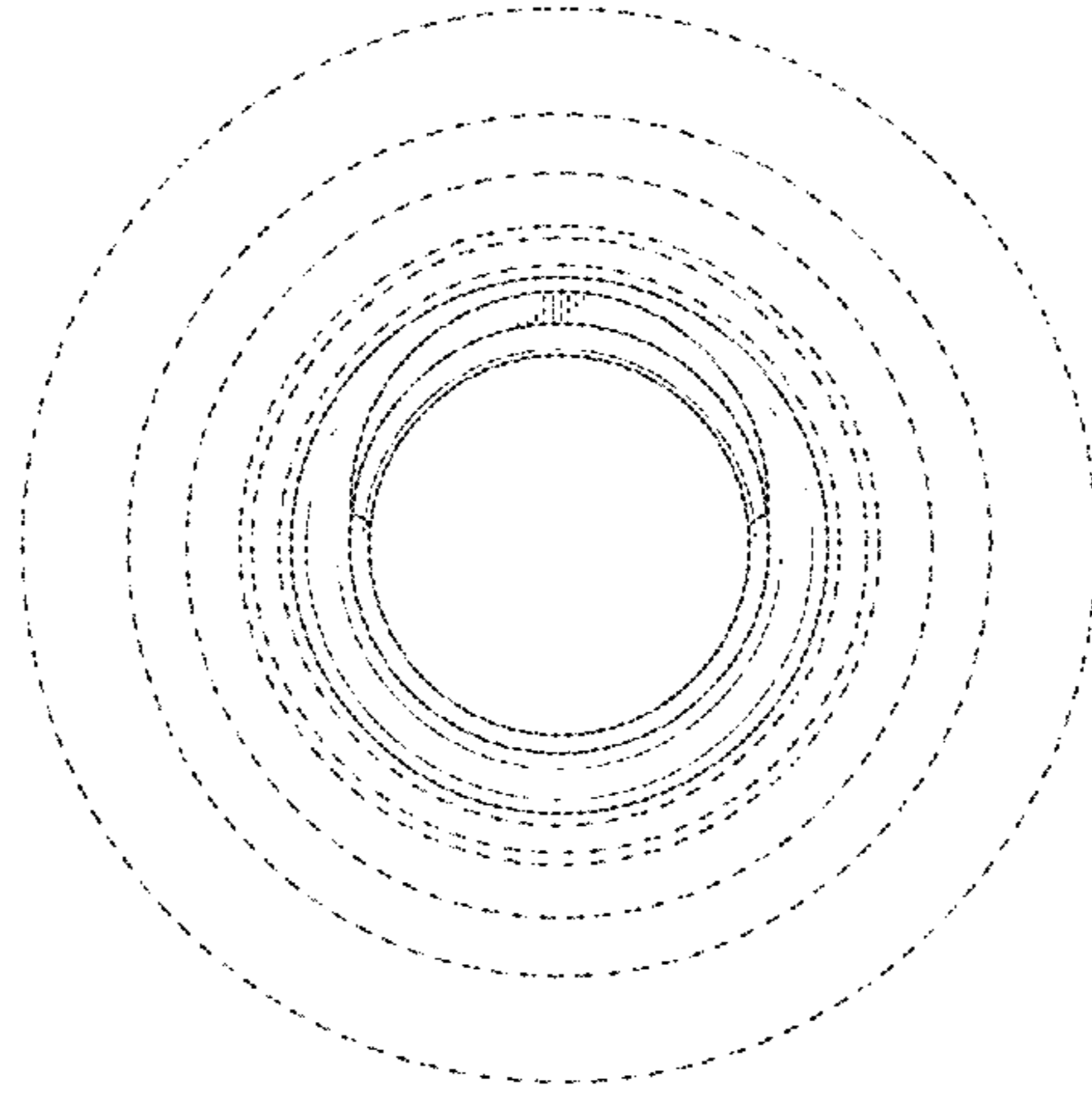




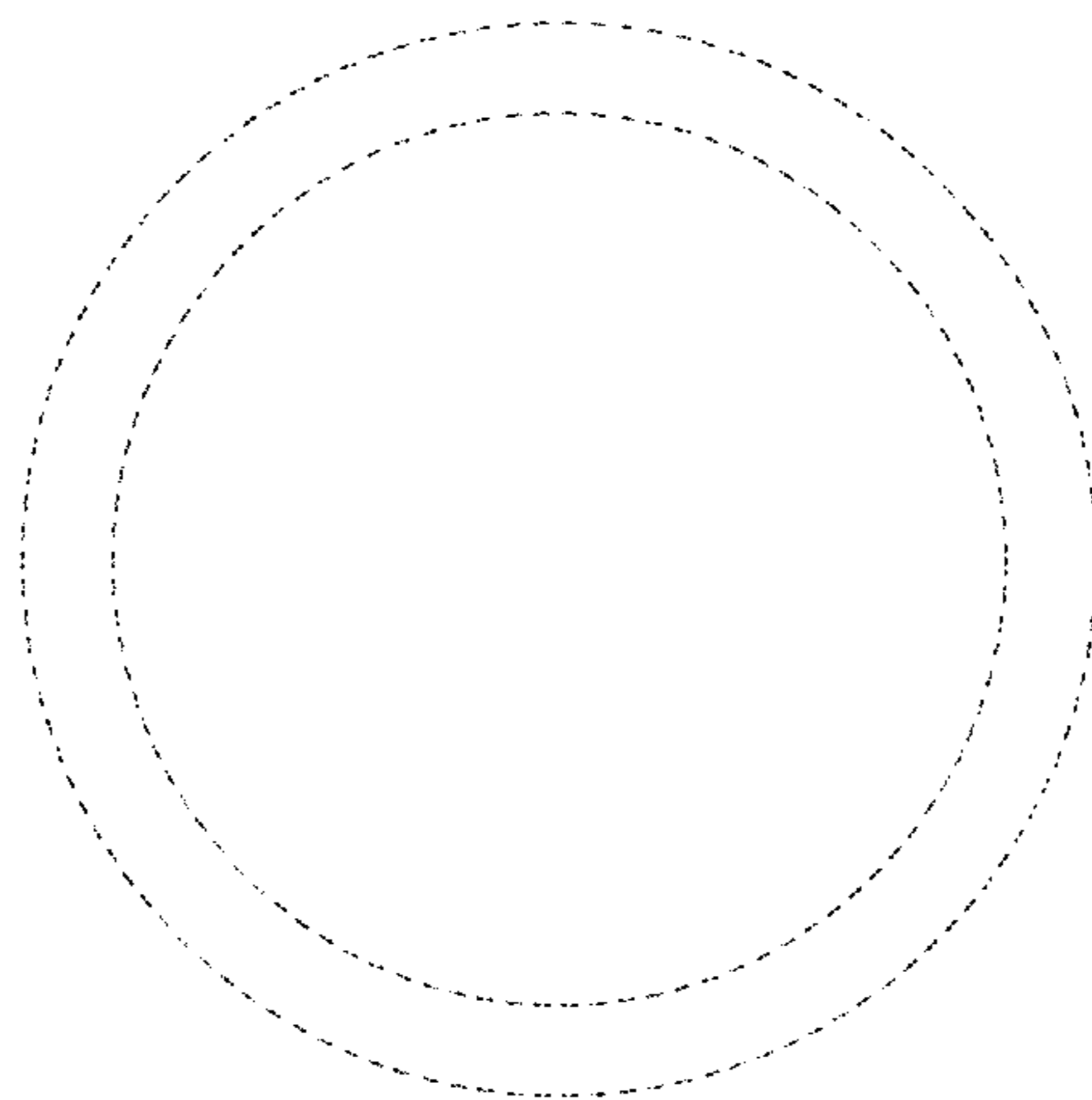
**Fig. 13**



**Fig. 14**



***Fig. 15***



***Fig. 16***