



US00D903120S

(12) **United States Design Patent** (10) **Patent No.:** **US D903,120 S**
Nishiyama et al. (45) **Date of Patent:** **** Nov. 24, 2020**

(54) **SPHYGMOMANOMETER**

FOREIGN PATENT DOCUMENTS

(71) Applicant: **OMRON HEALTHCARE Co., Ltd.**,
Muko (JP)

JP 1326552 S 4/2008
JP 1387527 S 5/2010

(Continued)

(72) Inventors: **Kengo Nishiyama**, Muko (JP);
Tsuyoshi Ogihara, Muko (JP);
Yoshikazu Inami, Muko (JP); **Asa**
Hirasawa, Muko (JP); **Shuji Tsuruta**,
Ibaraki (JP)

OTHER PUBLICATIONS

Kengo Nishiyama et al., Sphygmomanometer, JP Design Patent
Application No. 2017-026876 filed Dec. 1, 2017, in the Japanese
Patent Office.

(73) Assignee: **OMRON HEALTHCARE Co., Ltd.**,
Kyoto (JP)

Primary Examiner — Anhdao Doan

(74) *Attorney, Agent, or Firm* — Capitol City TechLaw

(**) Term: **15 Years**

(57) **CLAIM**

(21) Appl. No.: **29/701,103**

The ornamental design for a sphygmomanometer, as shown
and described.

(22) Filed: **Aug. 8, 2019**

Related U.S. Application Data

DESCRIPTION

(62) Division of application No. 29/649,326, filed on May
29, 2018, now Pat. No. Des. 862,702.

(30) **Foreign Application Priority Data**

Dec. 1, 2017 (JP) 2017-026877
Dec. 1, 2017 (JP) 2017-026880

(51) **LOC (12) Cl.** **24-02**

(52) **U.S. Cl.**
USPC **D24/165**

(58) **Field of Classification Search**
USPC D24/107, 165–168, 186, 187; D14/344
(Continued)

FIG. 1 is a front, top, and right side perspective view of a
sphygmomanometer showing our new design;
FIG. 2 is a rear, top, and left side perspective view thereof;
FIG. 3 is a rear, bottom, and left side perspective view
thereof;
FIG. 4 is a front, bottom, and left side perspective view
thereof;
FIG. 5 is a front view thereof;
FIG. 6 is a rear view thereof;
FIG. 7 is a top view thereof;
FIG. 8 is a bottom view thereof;
FIG. 9 is a right side view thereof; and,
FIG. 10 is a left side view thereof.

The dashed broken lines shown in the figures illustrate
portions of the sphygmomanometer that form no part of the
claimed design. The dot-dashed broken lines shown in the
figures define the bounds of the claim and form no part
thereof.

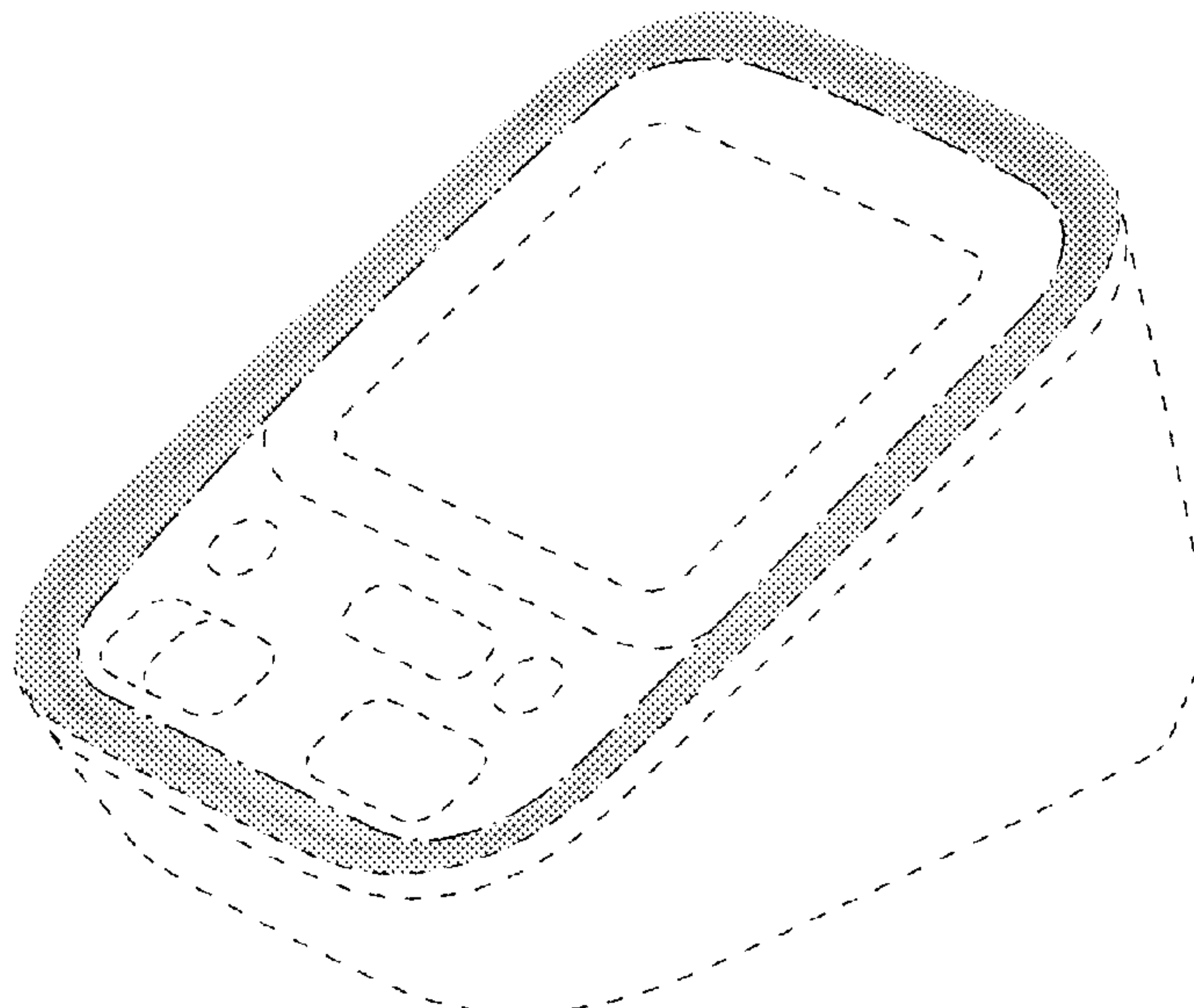
(56) **References Cited**

U.S. PATENT DOCUMENTS

D571,013 S 6/2008 Kitamura et al.
D574,497 S 8/2008 Kitamura et al.

(Continued)

1 Claim, 10 Drawing Sheets



(58) **Field of Classification Search**

CPC A61B 5/0402; A61B 5/0404; A61B 5/021;
A61B 5/024; A61B 5/02438; A61B
5/681; A61B 2560/0205; A61B
2560/0462

See application file for complete search history.

(56) **References Cited**

U.S. PATENT DOCUMENTS

D583,060	S	12/2008	Kitamura et al.	
D642,274	S	7/2011	Ogihara	
D651,716	S	1/2012	Shibata et al.	
D665,501	S	8/2012	Shibata et al.	
D717,439	S	11/2014	Noguchi et al.	
D720,328	S	12/2014	Shigeno et al.	
D722,165	S	2/2015	Pukall et al.	
D739,938	S *	9/2015	Schempp	D24/165
D739,939	S	9/2015	Uozumi et al.	
D743,035	S	11/2015	Uozumi et al.	
D802,768	S	11/2017	Rider et al.	
D861,875	S *	10/2019	Nishiyama	D24/165
D862,702	S *	10/2019	Nishiyama	D24/165
2015/0196206	A1 *	7/2015	Kinoshita	A61B 5/02116 600/490
2017/0347893	A1 *	12/2017	Osoegawa	A61B 5/022

FOREIGN PATENT DOCUMENTS

JP	1403528	S	12/2010
JP	1470860	S	6/2013

* cited by examiner

FIG. 1

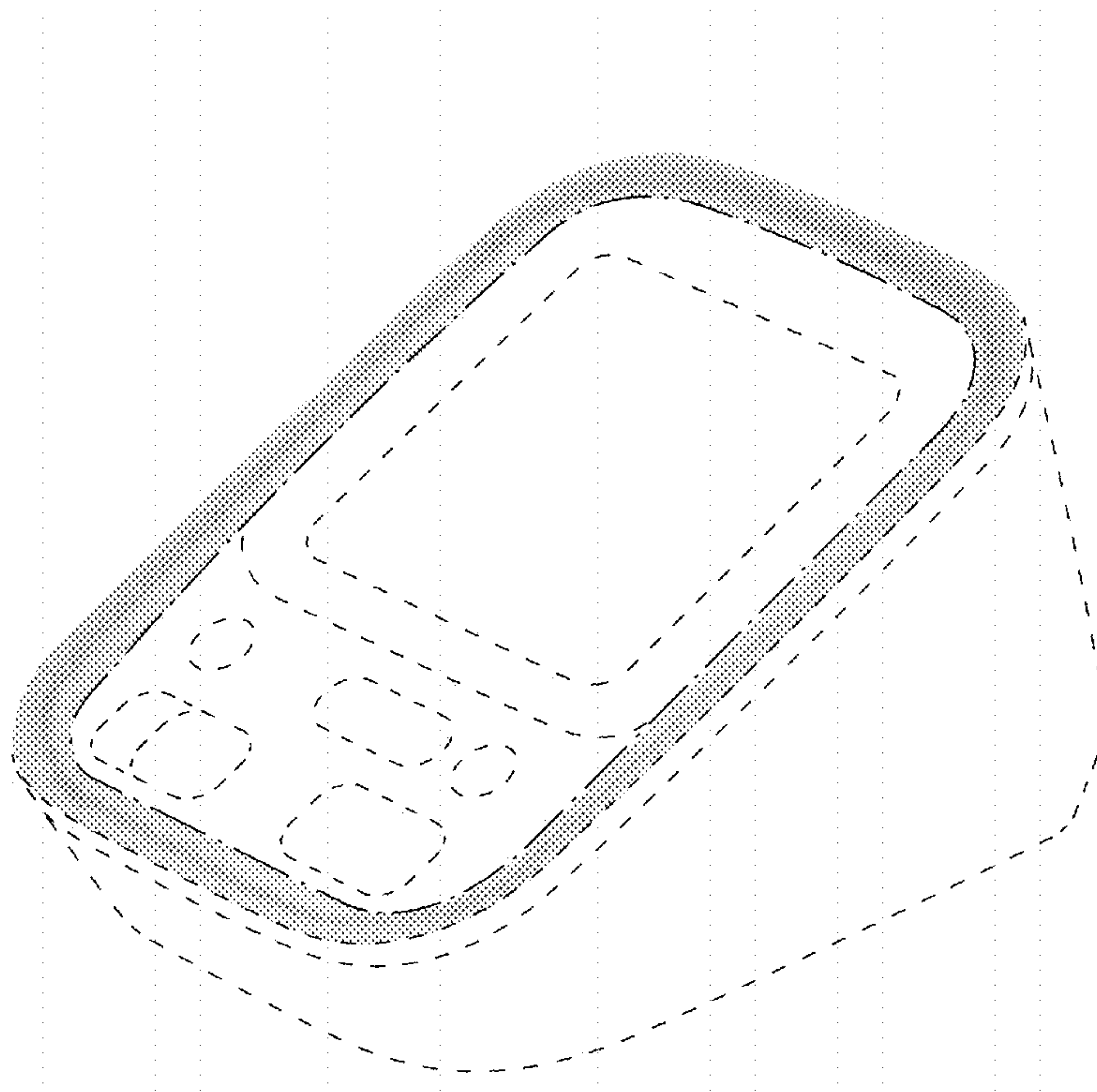


FIG.2

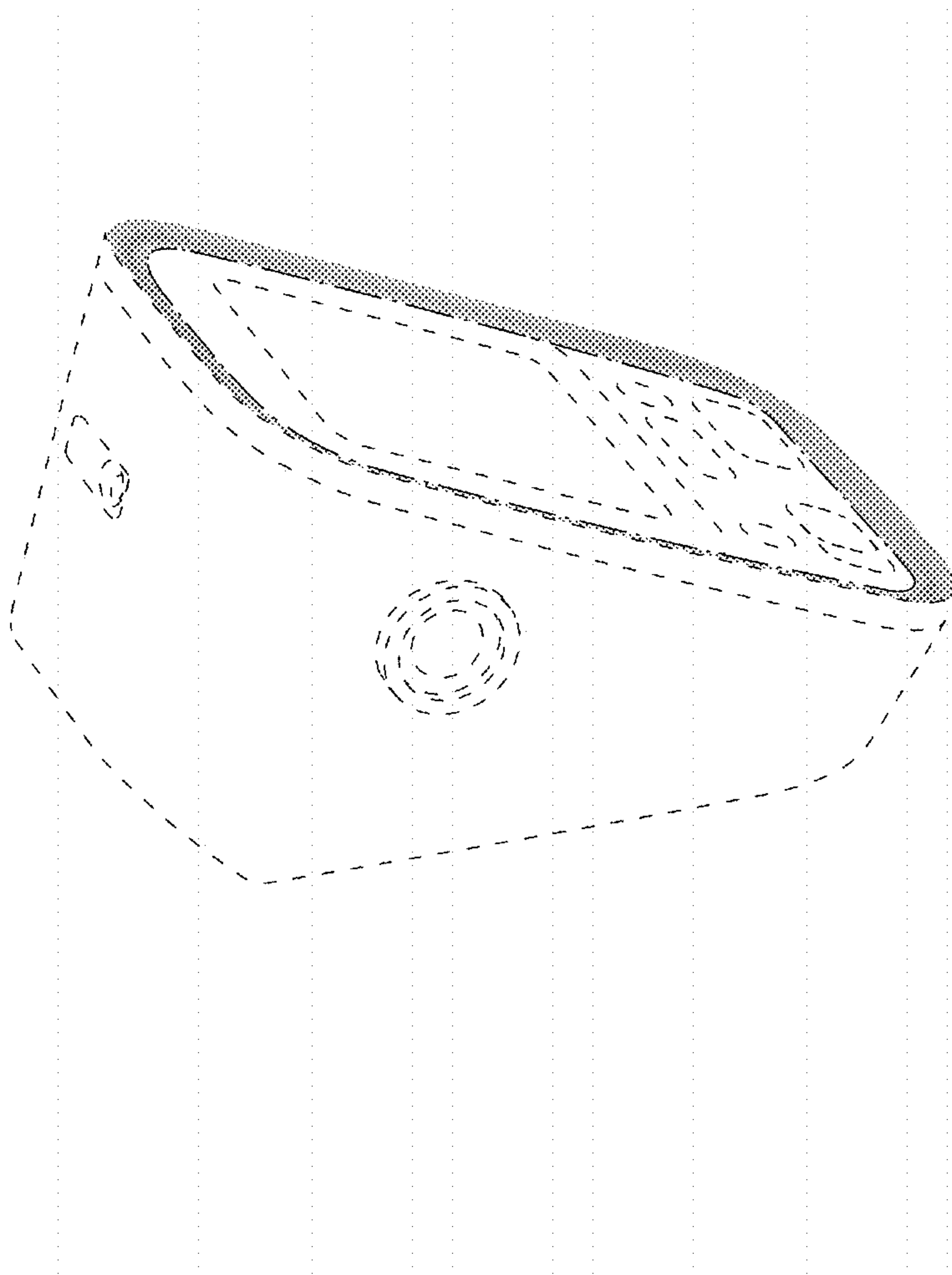


FIG.3

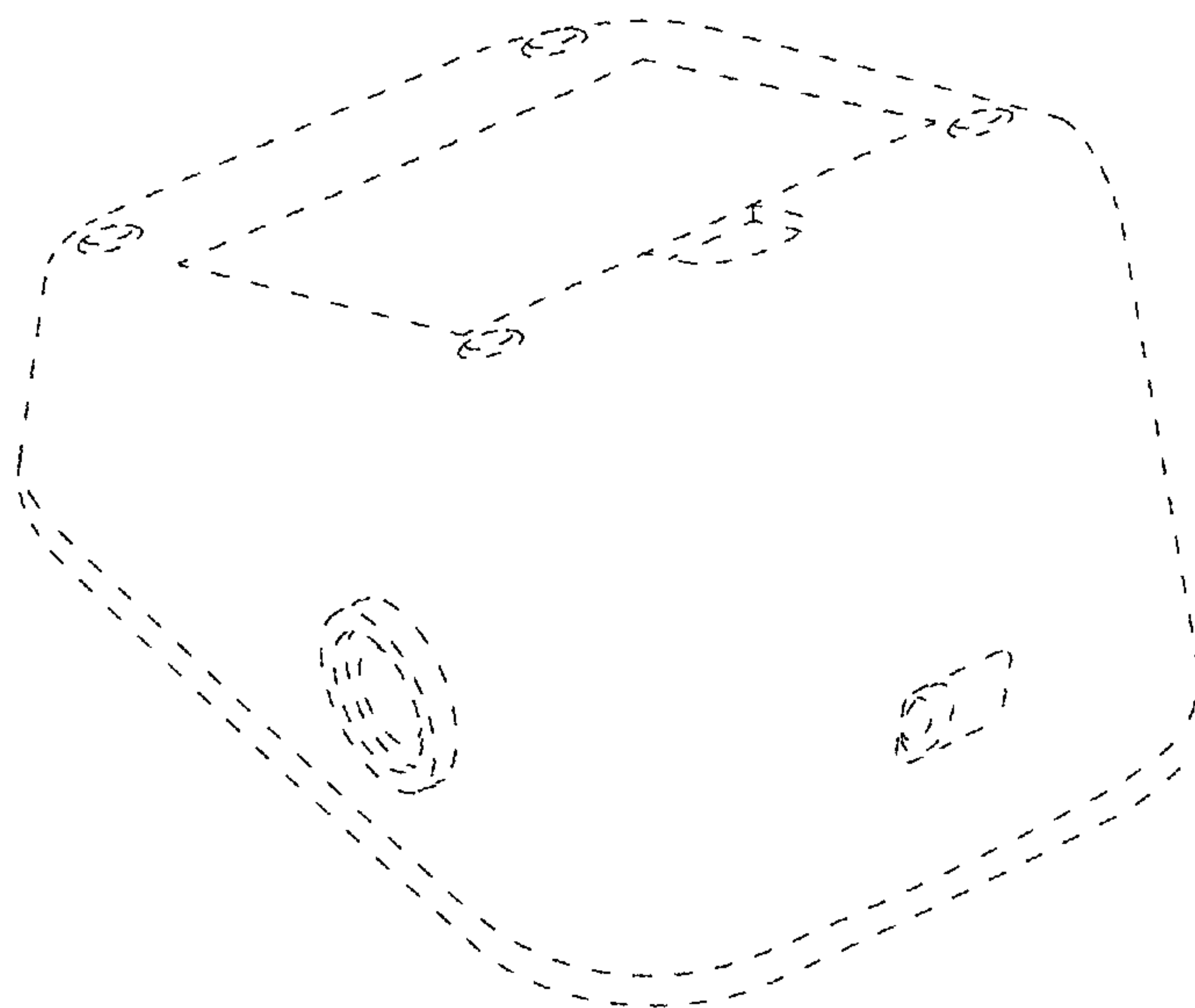


FIG.4

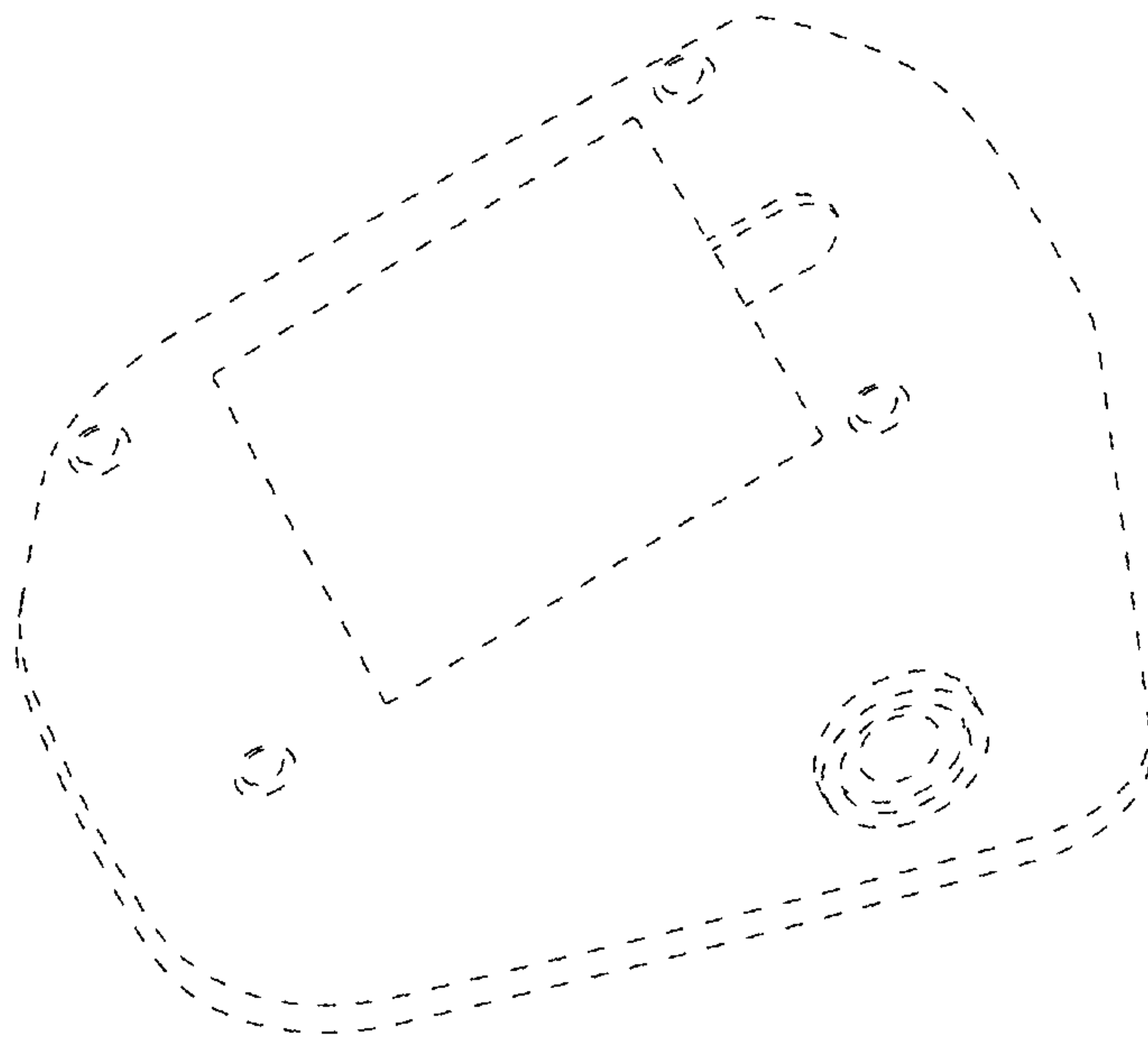


FIG.5

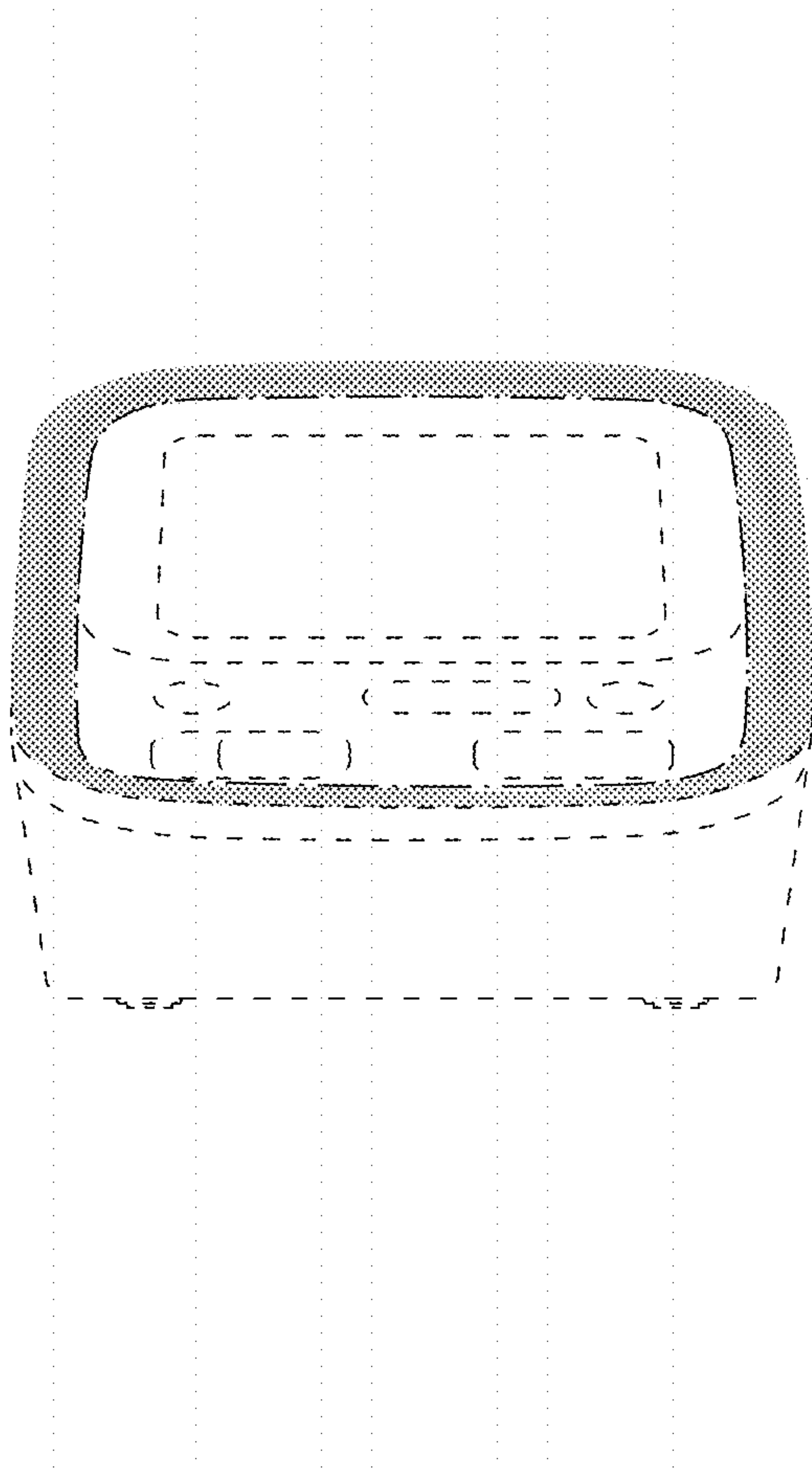


FIG.6

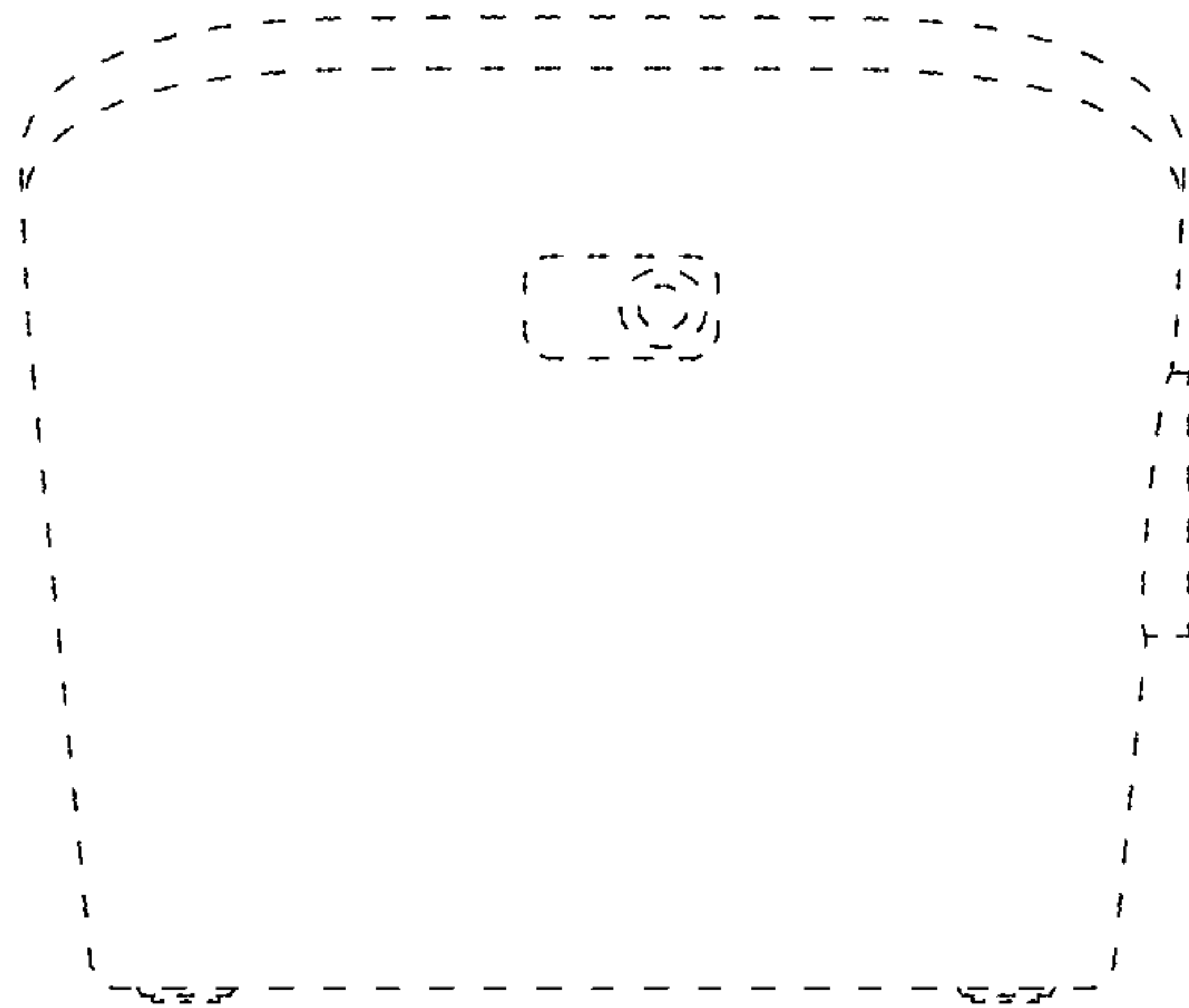


FIG.7

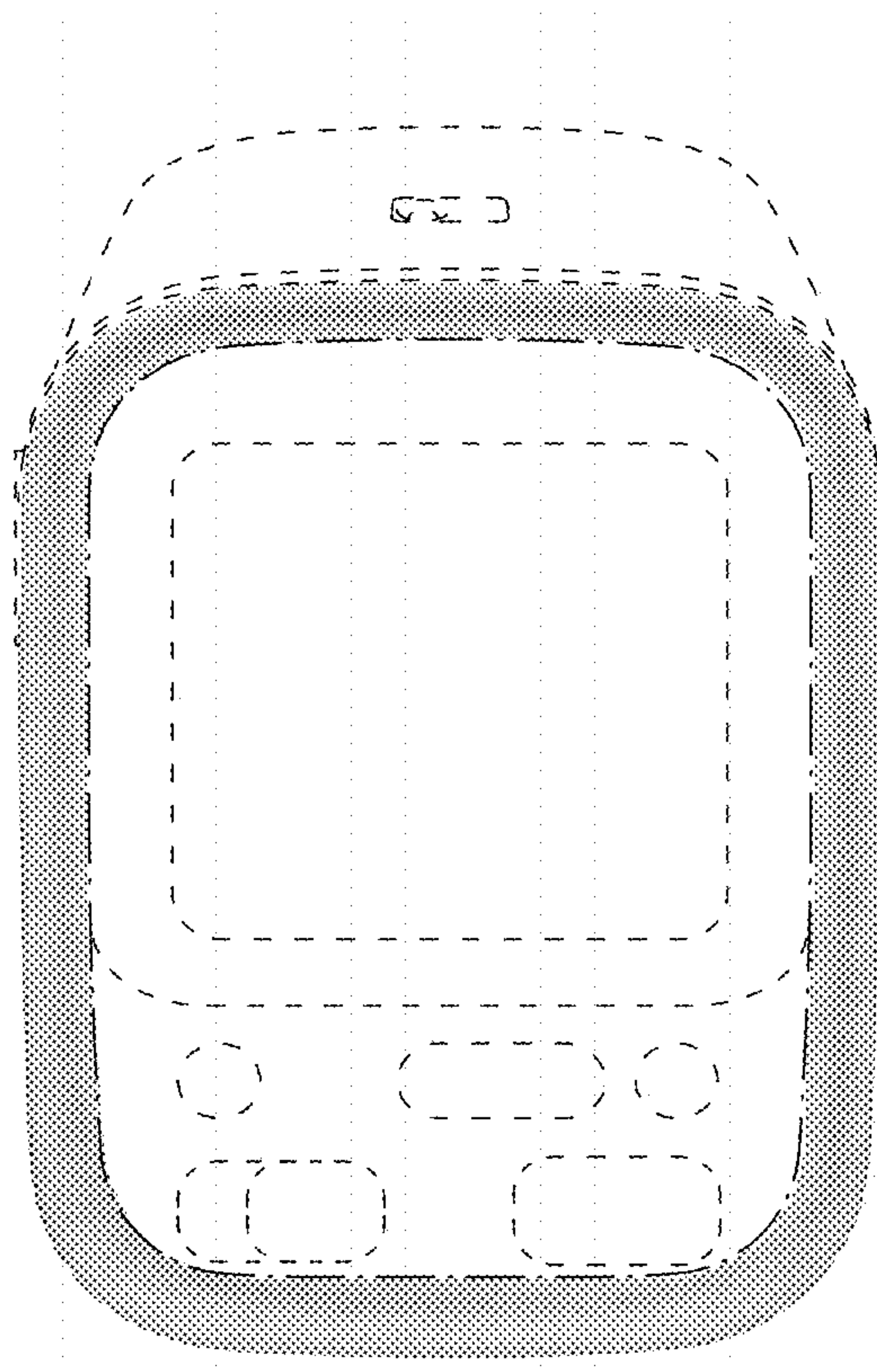


FIG.8

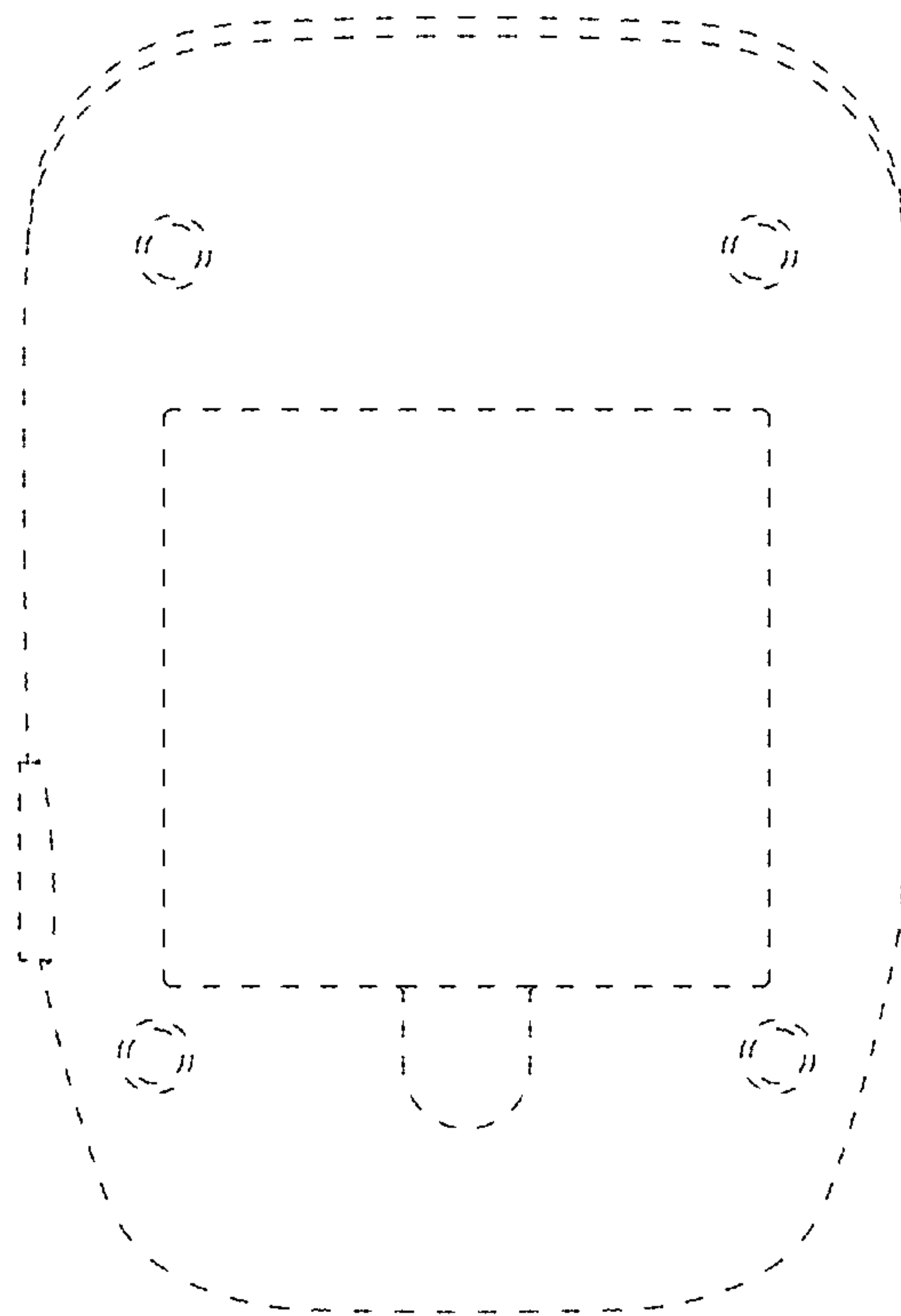


FIG.9

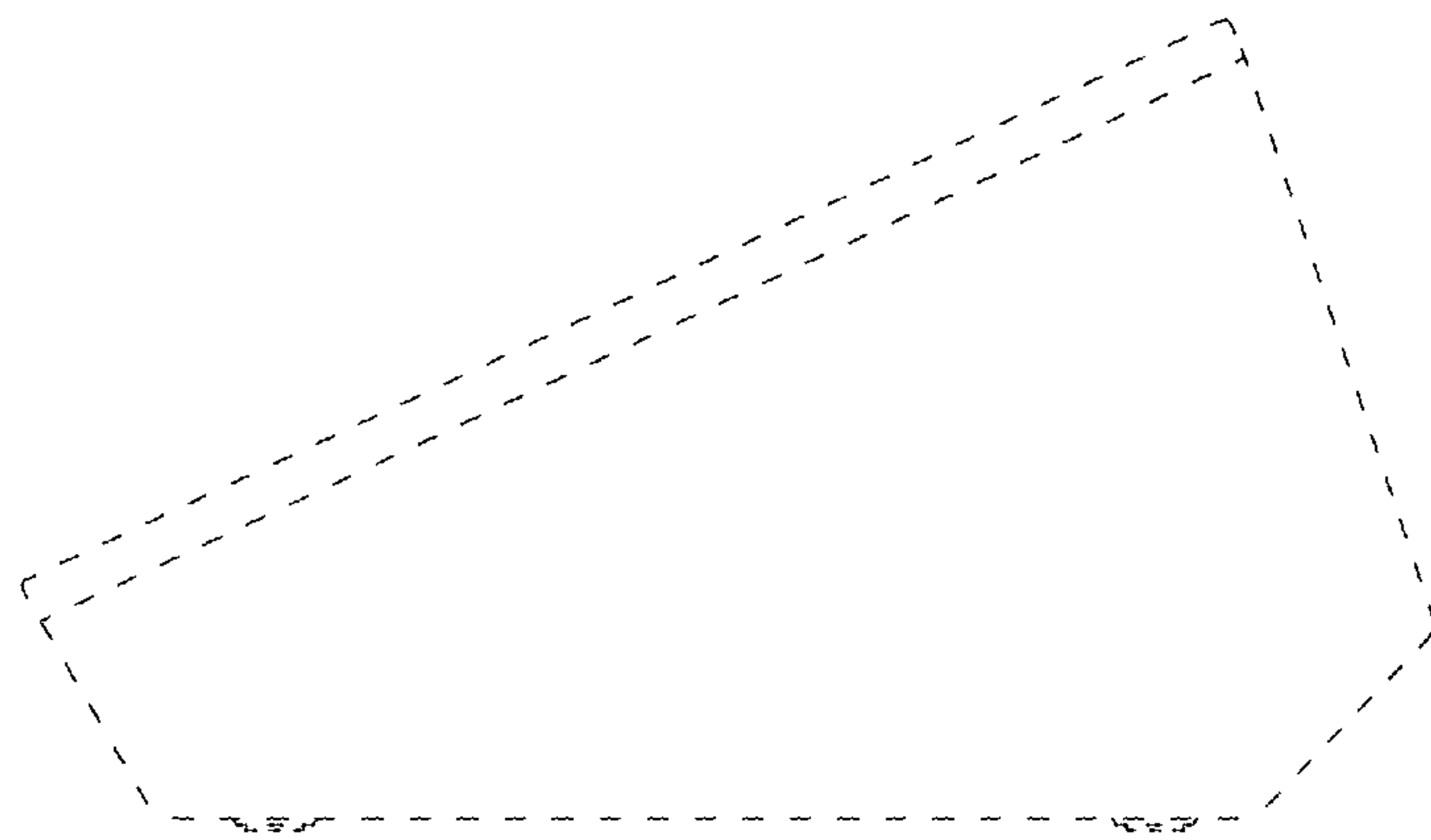


FIG.10

