



US00D903119S

(12) **United States Design Patent** (10) **Patent No.:** **US D903,119 S**
Zhang et al. (45) **Date of Patent:** **** Nov. 24, 2020**

(54) **ACCESSORIES OF RADIOTHERAPY EQUIPMENT**

(71) Applicant: **OUR UNITED CORPORATION,**
Xi'an (CN)

(72) Inventors: **Na Zhang,** Xi'an (CN); **Renqing Liu,**
Xi'an (CN)

(73) Assignee: **Our United Corporation,** Xi'an (CN)

(**) Term: **15 Years**

(21) Appl. No.: **29/694,548**

(22) Filed: **Jun. 11, 2019**

(30) **Foreign Application Priority Data**

Dec. 11, 2018 (CN) 2018 3 0716631

(51) **LOC (12) Cl.** **24-01**

(52) **U.S. Cl.**
USPC **D24/158**

(58) **Field of Classification Search**
USPC D24/107, 158-161, 185, 186
CPC .. A61B 5/05; A61B 5/055; A61B 6/03; A61B
6/035

See application file for complete search history.

(56) **References Cited**

U.S. PATENT DOCUMENTS

D590,504 S *	4/2009	Ogiwara	D24/158
D683,023 S *	5/2013	Andersson	D24/158
D683,025 S *	5/2013	Banryu	D24/158
D700,340 S *	2/2014	Tan	D24/158
8,781,061 B2 *	7/2014	Mochitate	A61B 6/035 378/189
8,888,364 B2 *	11/2014	Bailey	A61B 6/035 378/198

D726,917 S *	4/2015	Kim	D24/158
D728,105 S *	4/2015	Kim	D24/158
D738,505 S *	9/2015	Eberler	D24/158
D753,828 S *	4/2016	Baba	D24/158
D770,624 S *	11/2016	Yao	D24/158
D771,816 S *	11/2016	Park	D24/158
D783,830 S *	4/2017	Baba	D24/158
D785,180 S *	4/2017	Avranches	D24/158
D785,181 S *	4/2017	Grosshauser	D24/158
D794,798 S *	8/2017	Grosshauser	D24/158
D839,431 S *	1/2019	Morreale	D24/158
D842,994 S *	3/2019	Avranches	D24/158
D843,577 S *	3/2019	Zhi	D24/158
D849,949 S *	5/2019	Stalter	D24/158

* cited by examiner

Primary Examiner — Mark A Goodwin

Assistant Examiner — Benjamin M Weeks

(74) *Attorney, Agent, or Firm* — Kolitch Romano LLP

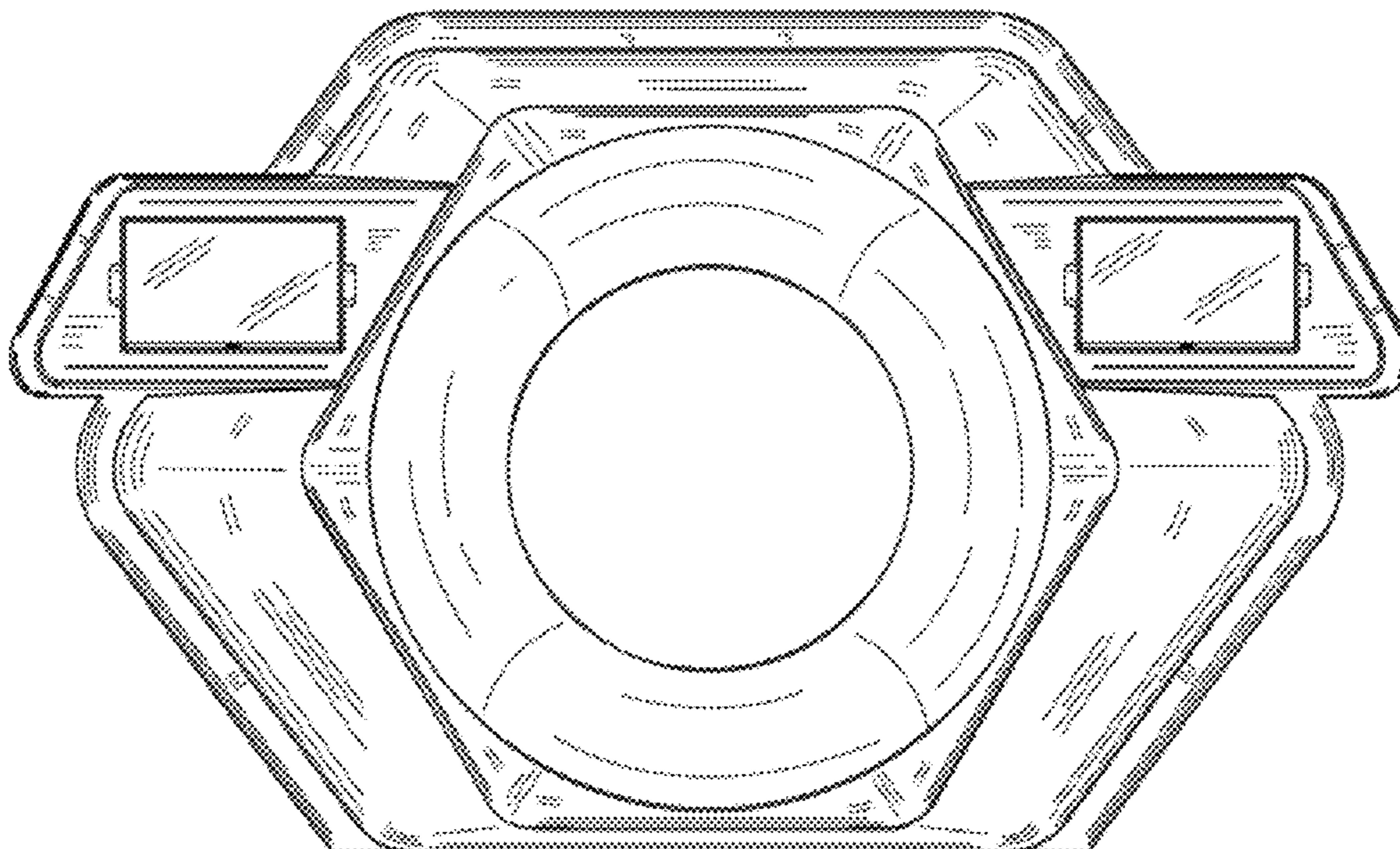
(57) **CLAIM**

What is claimed is the ornamental design for accessories of radiotherapy equipment, as shown and described.

DESCRIPTION

FIG. 1 is a front view of accessories of radiotherapy equipment, showing our new design; FIG. 2 is a rear view thereof; FIG. 3 is a left side view thereof; FIG. 4 is a right side view thereof; FIG. 5 is a top view thereof; FIG. 6 is a bottom view thereof; and, FIG. 7 is a front perspective view thereof. The shading lines shown in the drawings represent the approximate three-dimensional contour of the design, and are not intended to indicate surface decoration.

1 Claim, 7 Drawing Sheets



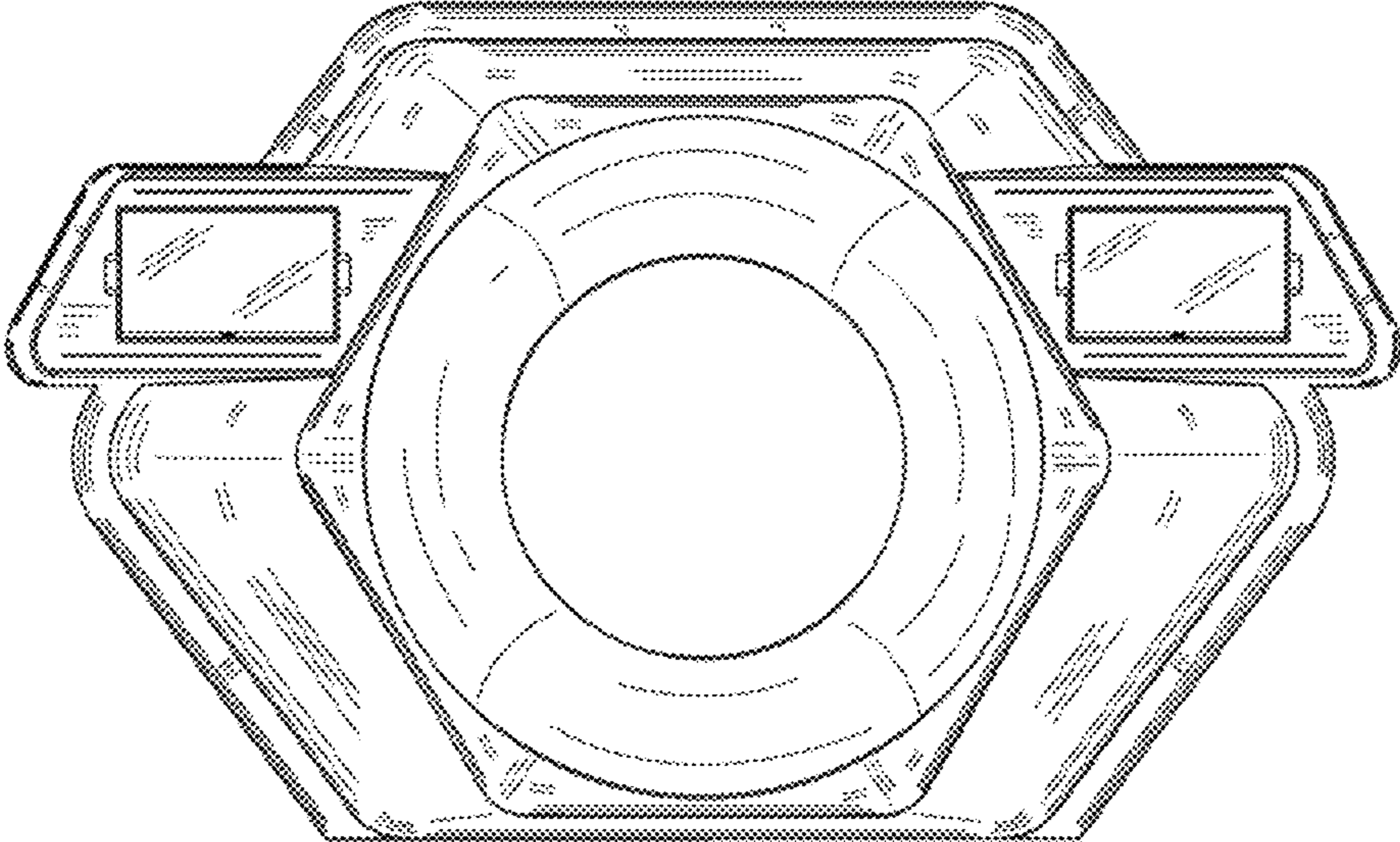


FIG. 1

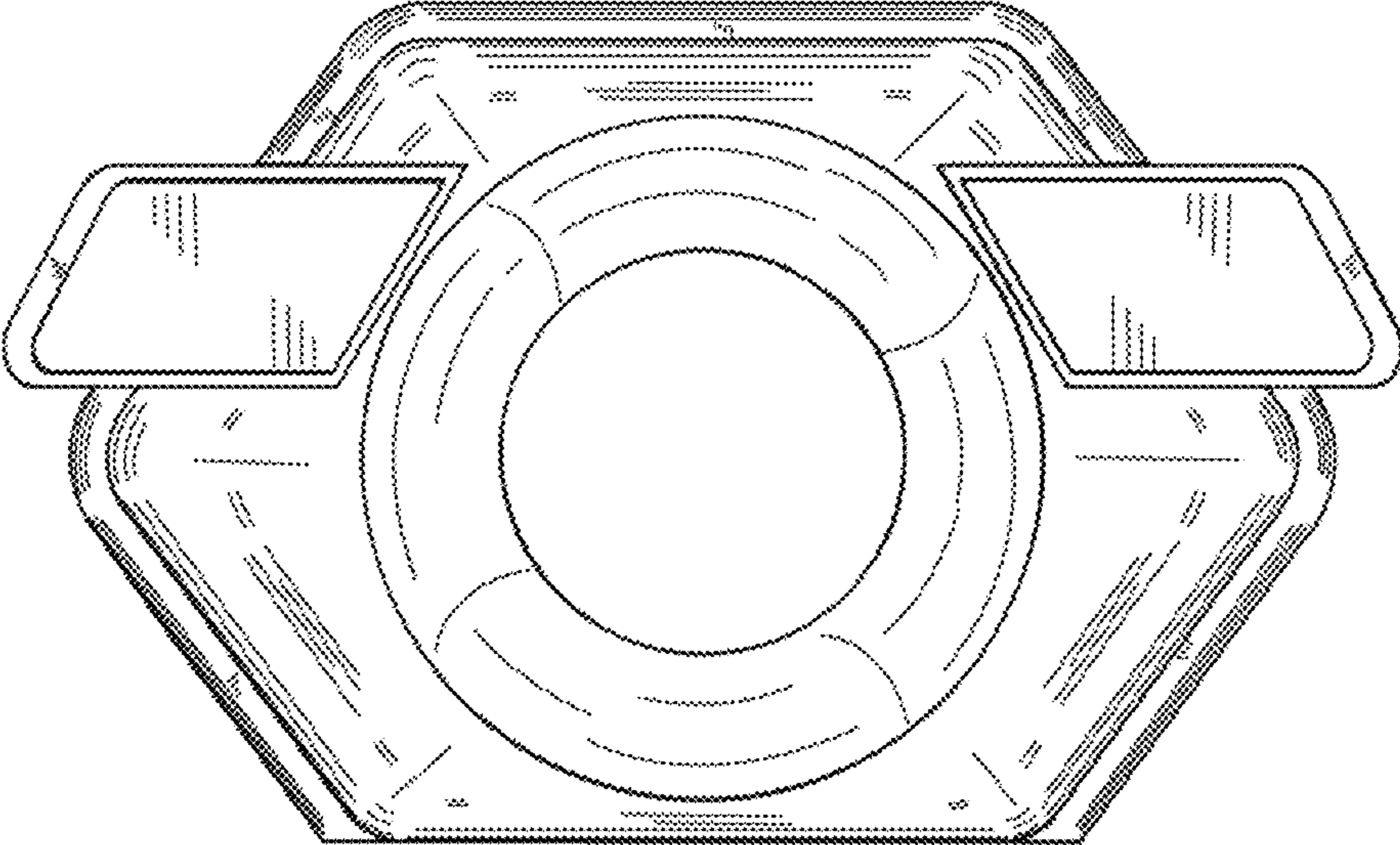


FIG. 2



FIG. 3



FIG. 4



FIG. 5

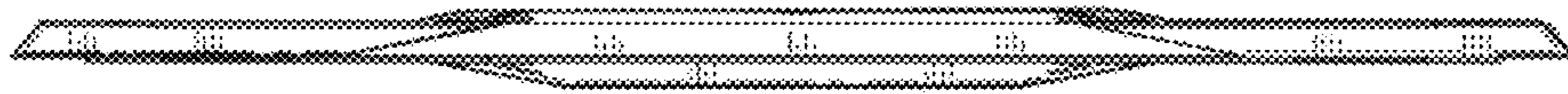


FIG. 6

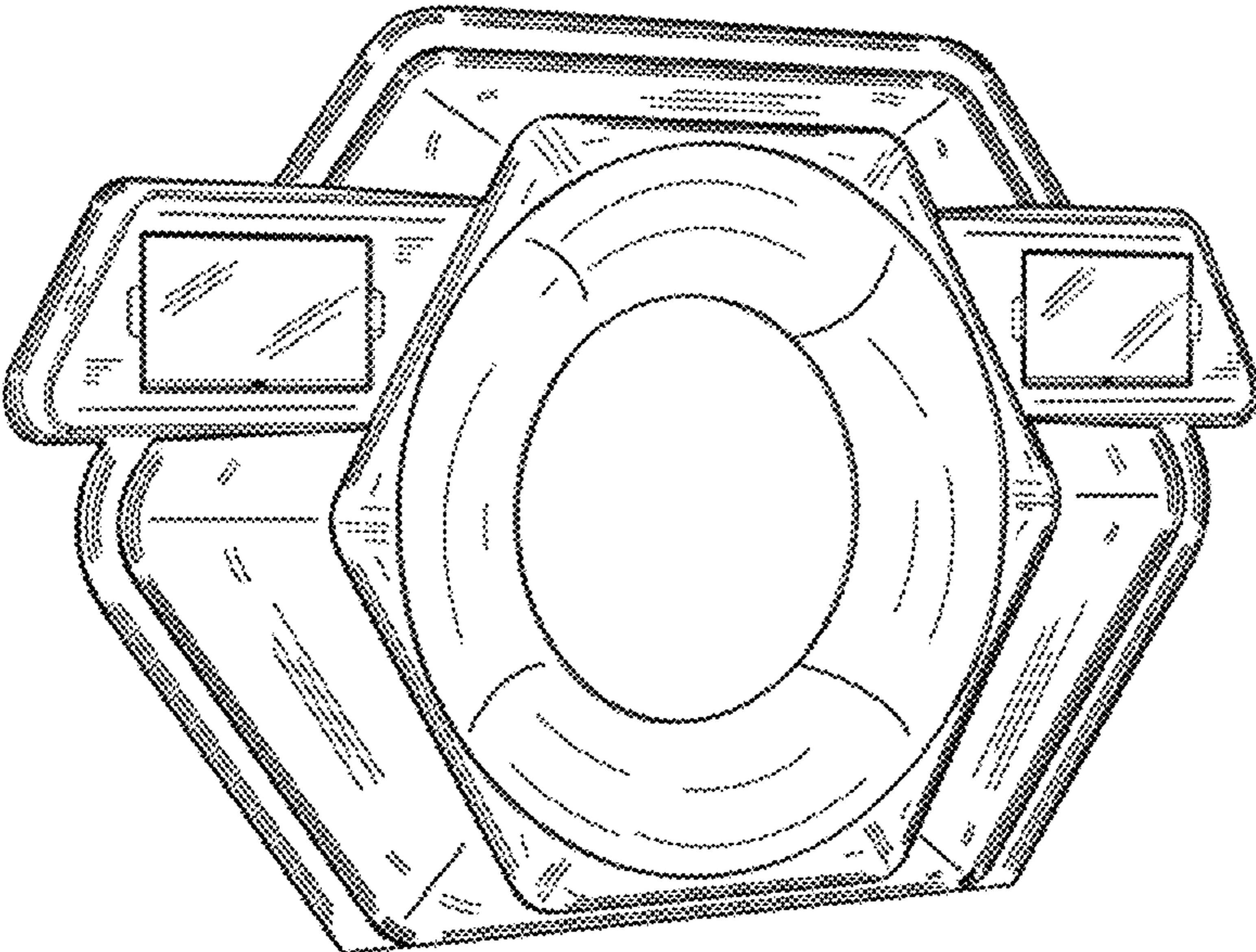


FIG. 7