



US00D903118S

(12) **United States Design Patent**  
**Zhang et al.**

(10) **Patent No.:** **US D903,118 S**

(45) **Date of Patent:** **\*\* Nov. 24, 2020**

(54) **ACCESSORIES OF RADIOTHERAPY EQUIPMENT**

(71) Applicant: **OUR UNITED CORPORATION,**  
Xi'an (CN)

(72) Inventors: **Na Zhang,** Xi'an (CN); **Renqing Liu,**  
Xi'an (CN)

(73) Assignee: **Our United Corporation,** Xi'an (CN)

(\*\*) Term: **15 Years**

(21) Appl. No.: **29/694,547**

(22) Filed: **Jun. 11, 2019**

(30) **Foreign Application Priority Data**

Dec. 11, 2018 (CN) ..... 2018 3 0716629

(51) **LOC (12) Cl.** ..... **24-01**

(52) **U.S. Cl.**  
USPC ..... **D24/158**

(58) **Field of Classification Search**  
USPC ..... D24/107, 158-161, 185, 186  
CPC .. A61B 5/05; A61B 5/055; A61B 6/03; A61B  
6/035

See application file for complete search history.

(56) **References Cited**

U.S. PATENT DOCUMENTS

D590,504 S *	4/2009	Ogiwara	.....	D24/158
D683,023 S *	5/2013	Andersson	.....	D24/158
D683,025 S *	5/2013	Banryu	.....	D24/158
D700,340 S *	2/2014	Tan	.....	D24/158
8,781,061 B2 *	7/2014	Mochitate	.....	A61B 6/035
				378/189
8,888,364 B2 *	11/2014	Bailey	.....	A61B 6/035
				378/198

D726,917 S *	4/2015	Kim	.....	D24/158
D728,105 S *	4/2015	Kim	.....	D24/158
D738,505 S *	9/2015	Eberler	.....	D24/158
D753,828 S *	4/2016	Baba	.....	D24/158
D770,624 S *	11/2016	Yao	.....	D24/158
D771,816 S *	11/2016	Park	.....	D24/158
D783,830 S *	4/2017	Baba	.....	D24/158
D785,180 S *	4/2017	Avranches	.....	D24/158
D785,181 S *	4/2017	Grosshauser	.....	D24/158
D794,798 S *	8/2017	Grosshauser	.....	D24/158
D839,431 S *	1/2019	Morreale	.....	D24/159
D842,994 S *	3/2019	Avranches	.....	D24/158
D843,577 S *	3/2019	Zhi	.....	D24/158
D849,949 S *	5/2019	Stalter	.....	D24/158

\* cited by examiner

*Primary Examiner* — Mark A Goodwin

*Assistant Examiner* — Benjamin M Weeks

(74) *Attorney, Agent, or Firm* — Kolitch Romano LLP

(57) **CLAIM**

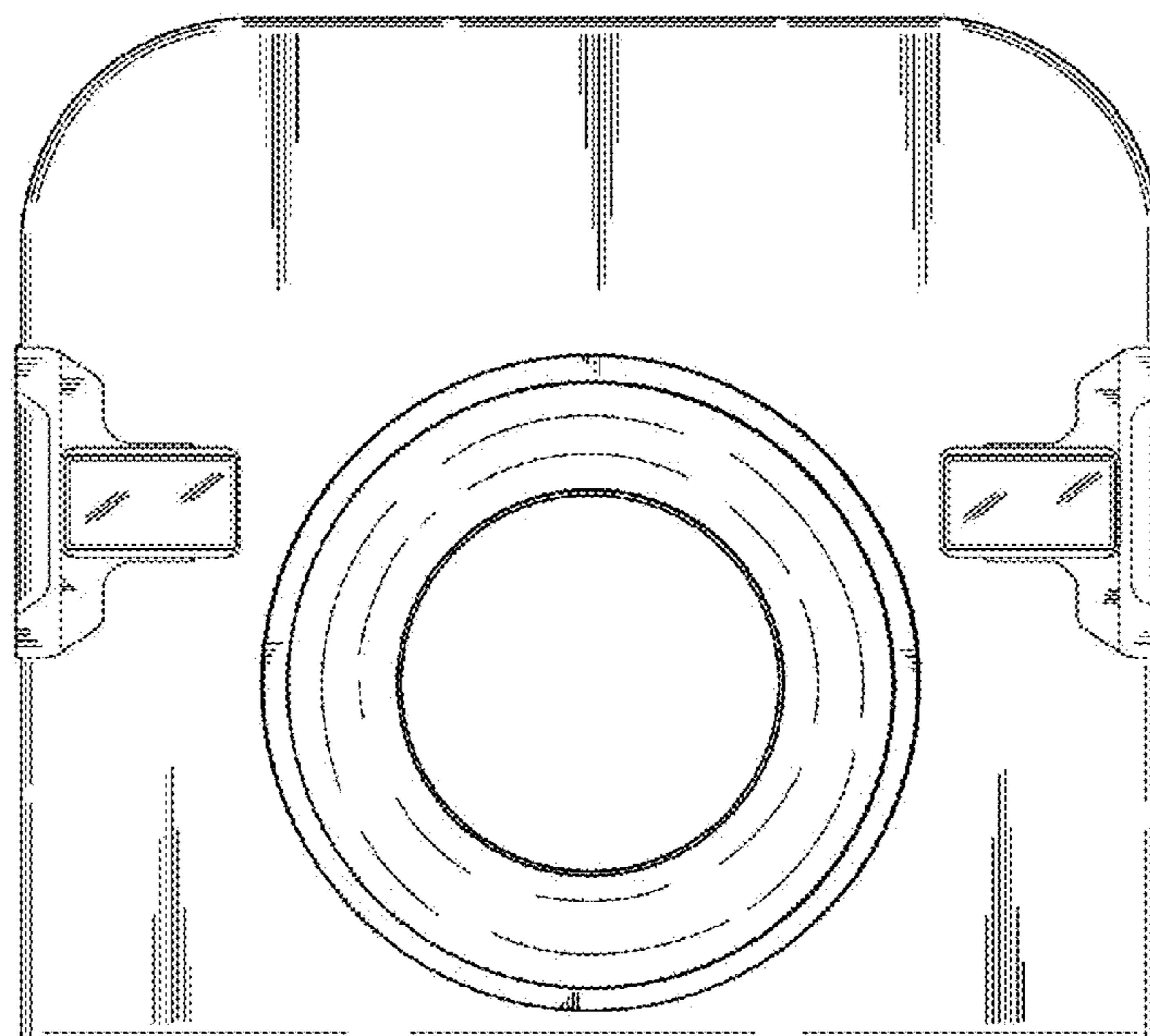
What is claimed is the ornamental design for accessories of radiotherapy equipment, as shown and described.

**DESCRIPTION**

FIG. 1 is a front view of accessories of radiotherapy equipment, showing our new design;  
FIG. 2 is a rear view thereof;  
FIG. 3 is a left side view thereof;  
FIG. 4 is a right side view thereof;  
FIG. 5 is a top view thereof;  
FIG. 6 is a bottom view thereof; and,  
FIG. 7 is a front perspective view thereof.

The broken lines show portions of the accessories of radiotherapy equipment and form no part of the claimed design. The shading lines shown in the drawings represent the approximate three-dimensional contour of the design, and are not intended to indicate surface decoration.

**1 Claim, 7 Drawing Sheets**



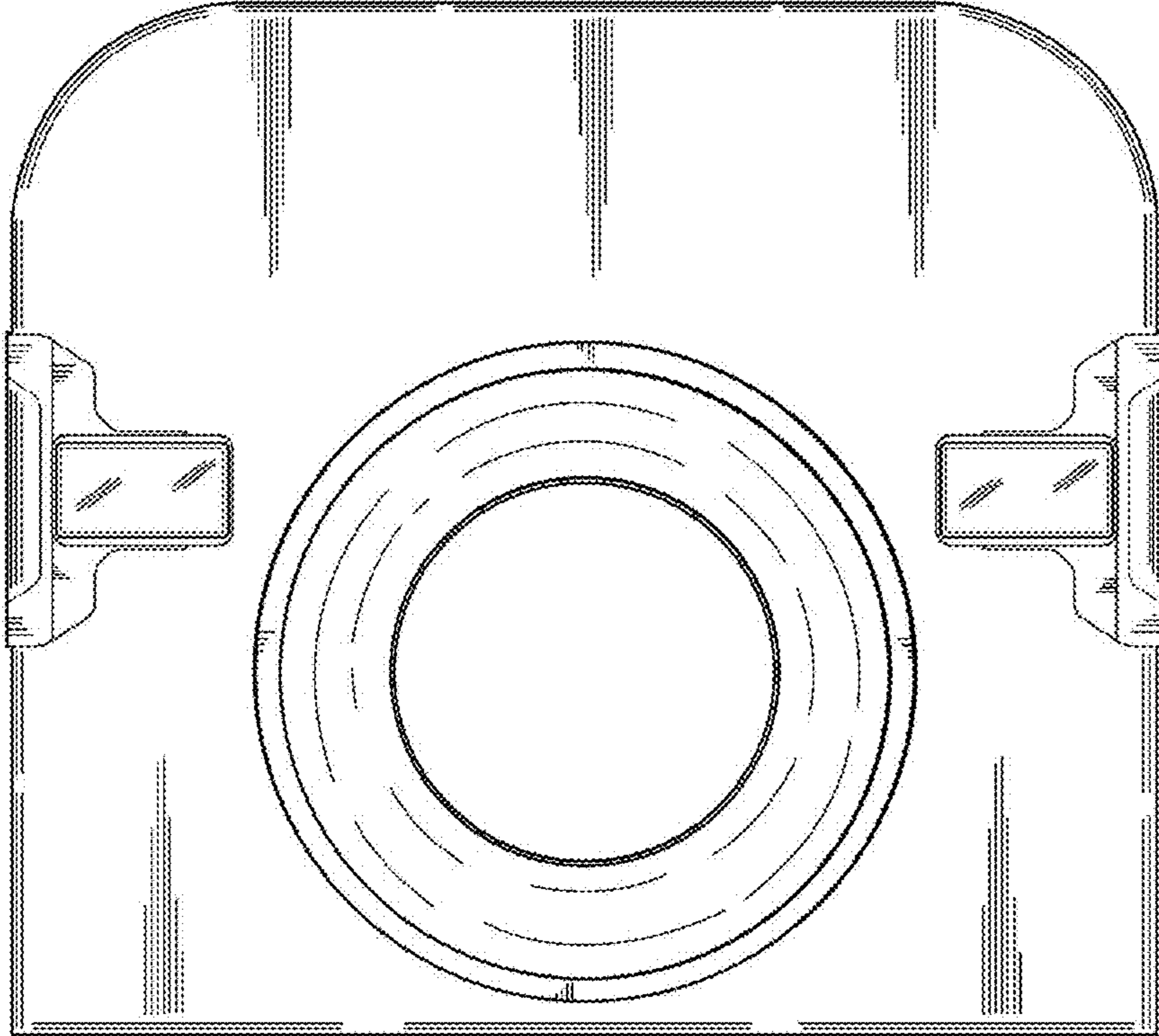


FIG. 1

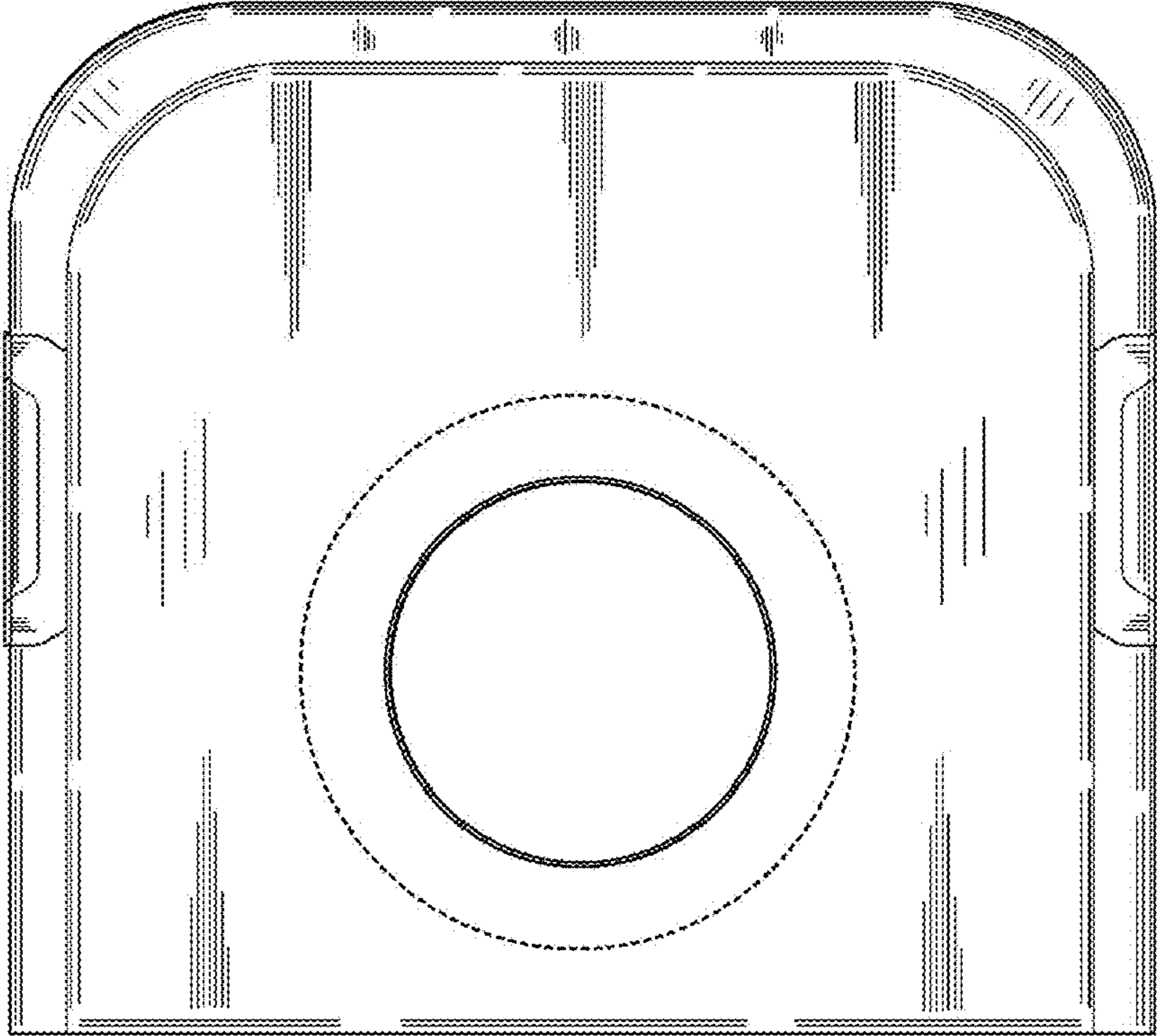


FIG. 2



FIG. 3



FIG. 4

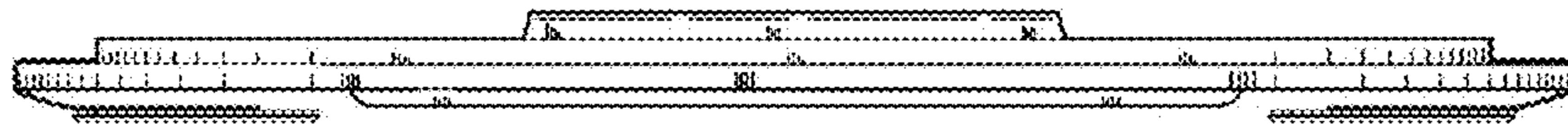


FIG. 5

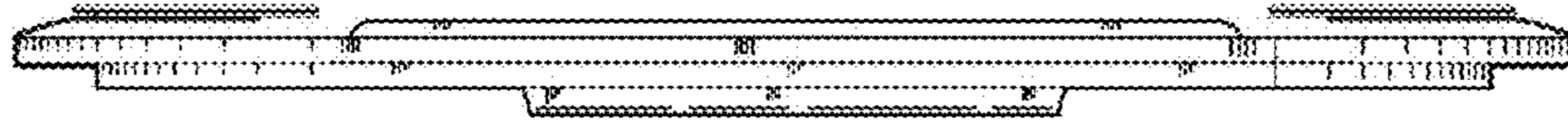


FIG. 6

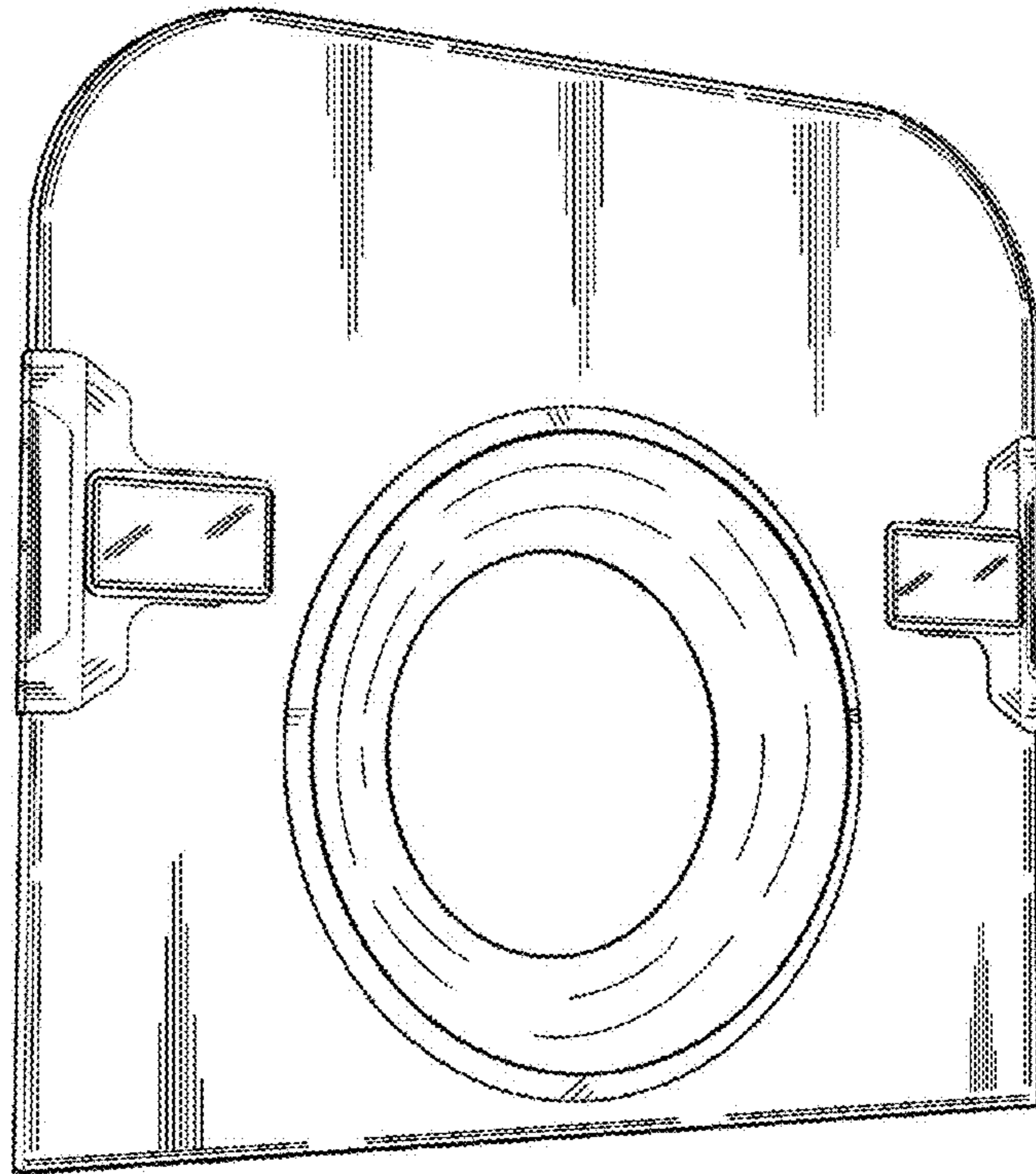


FIG. 7