



US00D903117S

(12) **United States Design Patent**
Zhang et al.

(10) **Patent No.:** **US D903,117 S**

(45) **Date of Patent:** **** Nov. 24, 2020**

(54) **ACCESSORIES OF RADIOTHERAPY EQUIPMENT**

(71) Applicant: **OUR UNITED CORPORATION,**
Xi'an (CN)

(72) Inventors: **Na Zhang,** Xi'an (CN); **Renqing Liu,**
Xi'an (CN)

(73) Assignee: **Our United Corporation,** Xi'an (CN)

(**) Term: **15 Years**

(21) Appl. No.: **29/694,546**

(22) Filed: **Jun. 11, 2019**

(30) **Foreign Application Priority Data**

Dec. 11, 2018 (CN) 2018 3 0717346

(51) **LOC (12) Cl.** **24-01**

(52) **U.S. Cl.**
USPC **D24/158**

(58) **Field of Classification Search**

USPC D24/107, 158-161, 185, 186
CPC .. A61B 5/05; A61B 5/055; A61B 6/03; A61B
6/035

See application file for complete search history.

(56) **References Cited**

U.S. PATENT DOCUMENTS

D590,504 S * 4/2009 Ogiwara D24/158
D683,023 S * 5/2013 Andersson D24/158
D683,025 S * 5/2013 Banryu D24/158
D700,340 S * 2/2014 Tan D24/158
8,781,061 B2 * 7/2014 Mochitate A61B 6/035
378/189
8,888,364 B2 * 11/2014 Bailey A61B 6/035
378/198

D726,917 S * 4/2015 Kim D24/158
D728,105 S * 4/2015 Kim D24/158
D738,505 S * 9/2015 Eberler D24/158
D753,828 S * 4/2016 Baba D24/158
D770,624 S * 11/2016 Yao D24/158
D771,816 S * 11/2016 Park D24/158
D783,830 S * 4/2017 Baba D24/158
D785,180 S * 4/2017 Avranches D24/158
D785,181 S * 4/2017 Grosshauser D24/158
D794,798 S * 8/2017 Grosshauser D24/158
D839,431 S * 1/2019 Morreale D24/159
D842,994 S * 3/2019 Avranches D24/158
D843,577 S * 3/2019 Zhi D24/158
D849,949 S * 5/2019 Stalter D24/158

* cited by examiner

Primary Examiner — Mark A Goodwin

Assistant Examiner — Benjamin M Weeks

(74) *Attorney, Agent, or Firm* — Kolitch Romano LLP

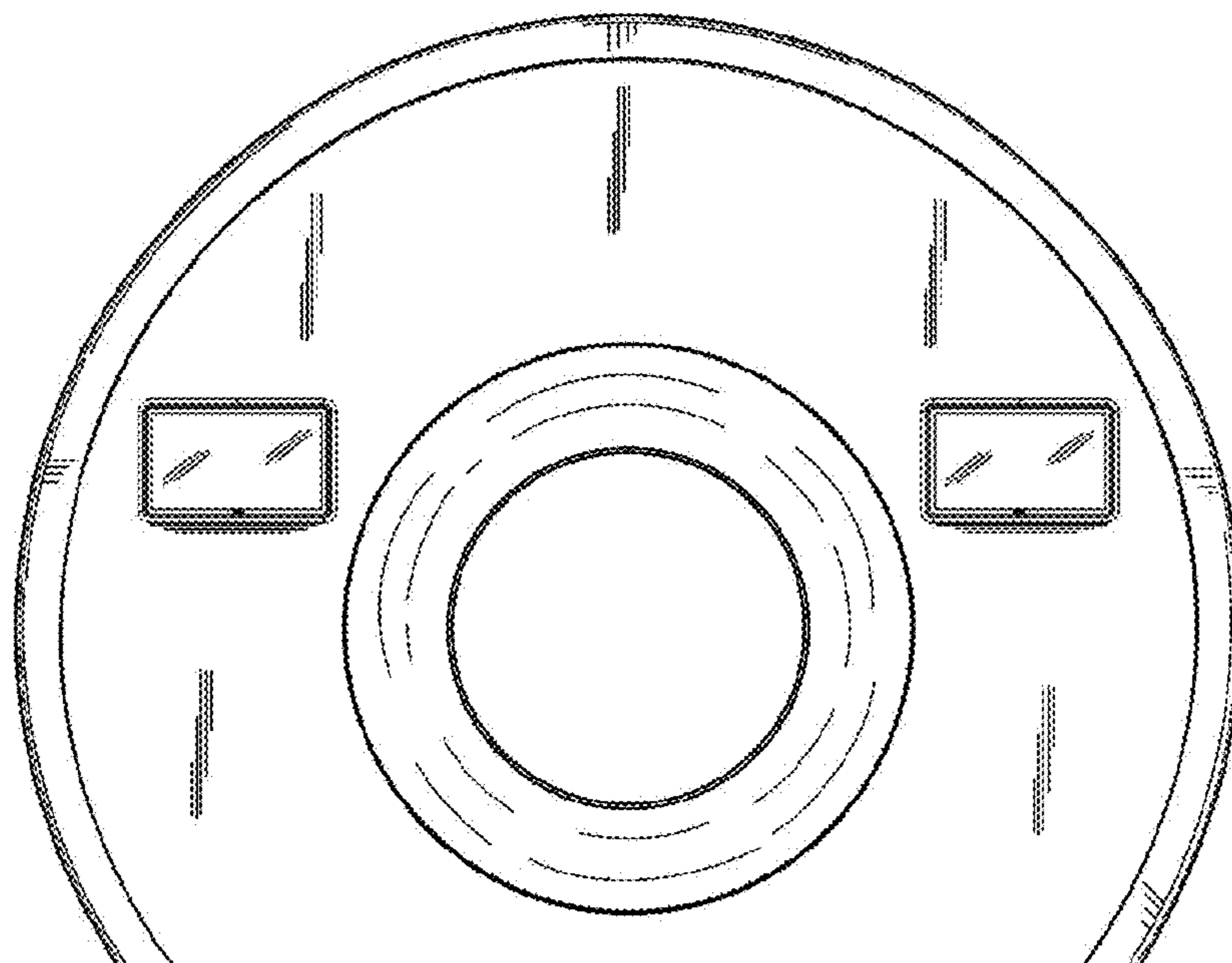
(57) **CLAIM**

What is claimed is the ornamental design for accessories of radiotherapy equipment, as shown and described.

DESCRIPTION

FIG. 1 is a front view of accessories of radiotherapy equipment, showing our new design;
FIG. 2 is a rear view thereof;
FIG. 3 is a left side view thereof;
FIG. 4 is a right side view thereof;
FIG. 5 is a top view thereof;
FIG. 6 is a bottom view thereof; and,
FIG. 7 is a front perspective view thereof.
The shading lines shown in the drawings represent the approximate three-dimensional contour of the design, and are not intended to indicate surface decoration.

1 Claim, 7 Drawing Sheets



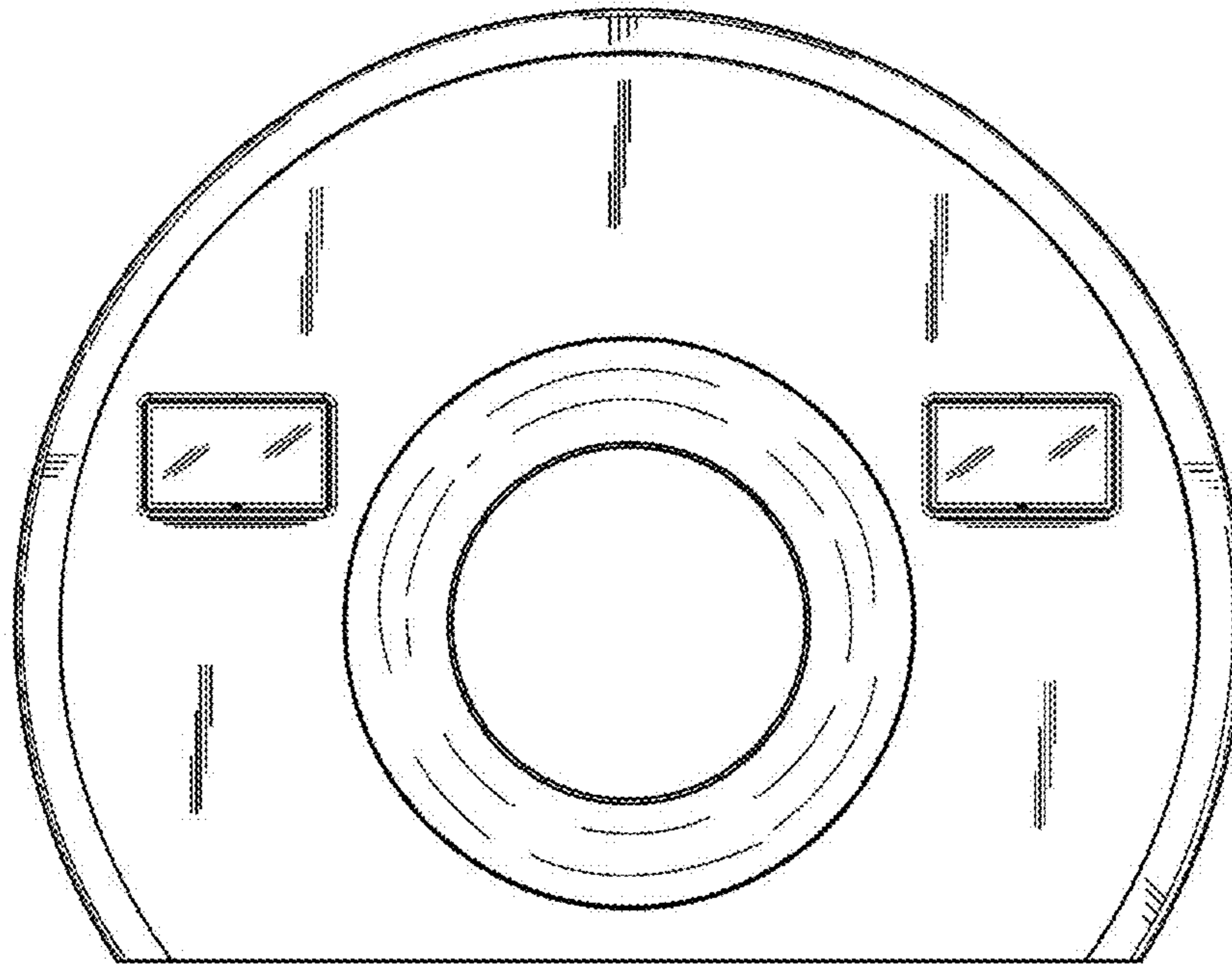


FIG. 1

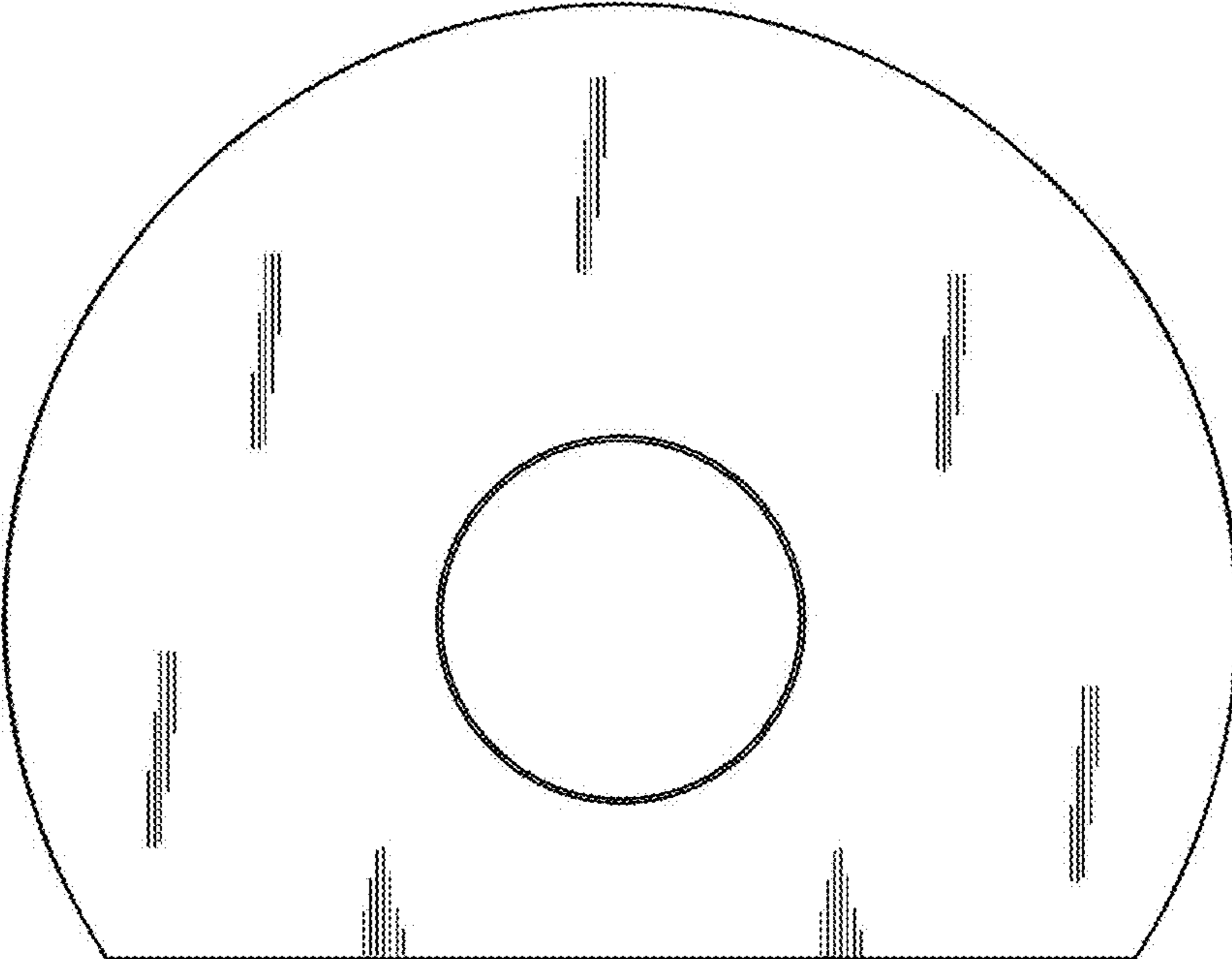


FIG. 2



FIG. 3



FIG. 4

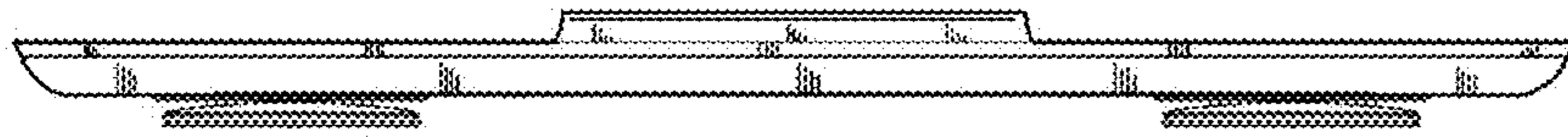


FIG. 5

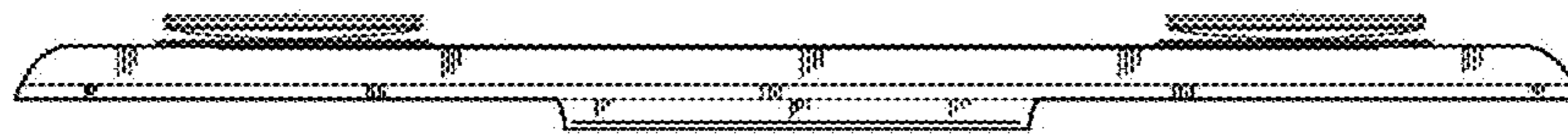


FIG. 6

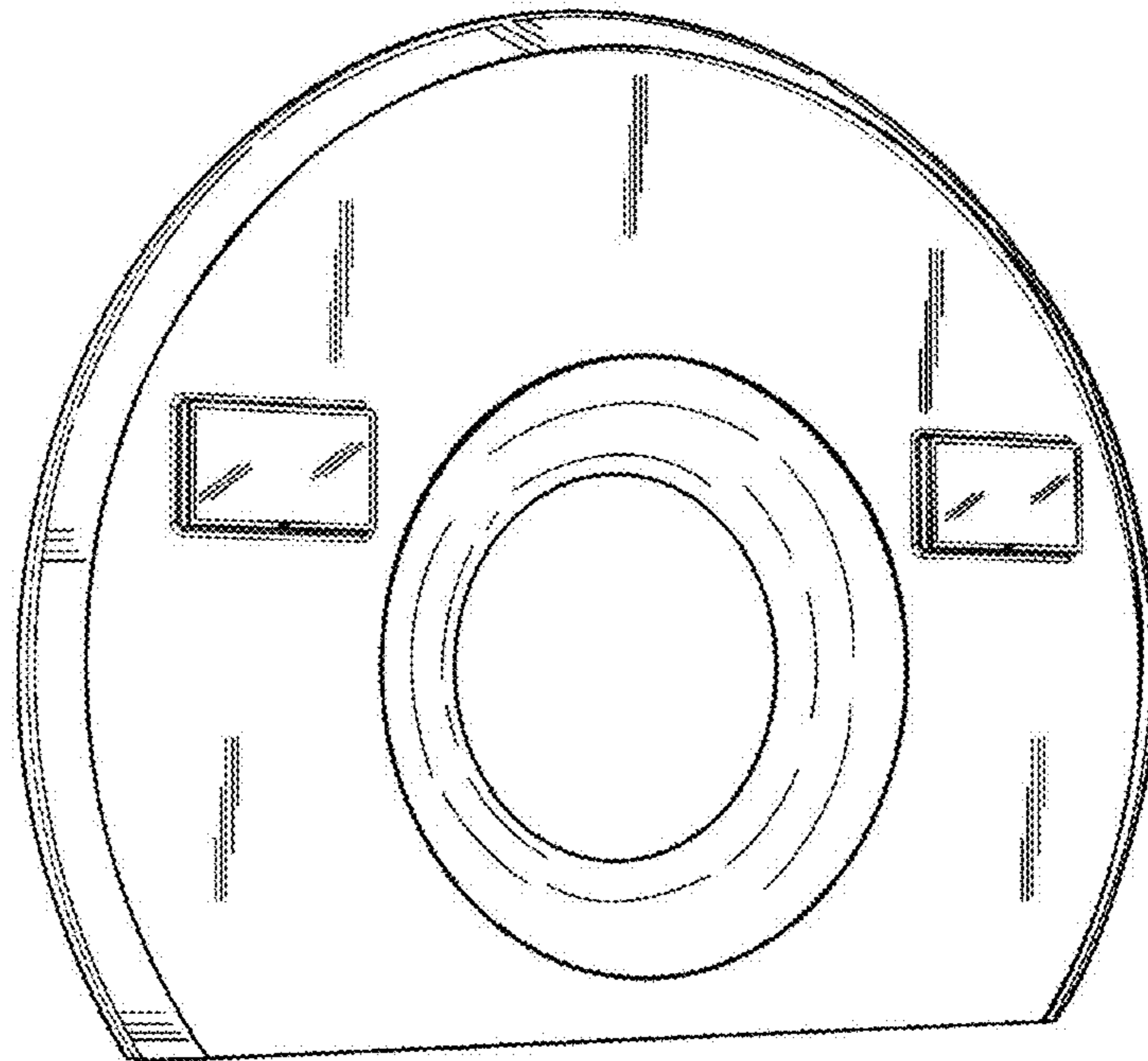


FIG. 7