



US00D903115S

(12) **United States Design Patent** (10) **Patent No.:** **US D903,115 S**
Zeiner et al. (45) **Date of Patent:** **** Nov. 24, 2020**

(54) **APPLICATOR FOR A SURGICAL STAPLER BUTTRESS**

6,231,565 B1 5/2001 Tovey et al.
6,364,888 B1 4/2002 Niemeyer et al.
6,783,524 B2 8/2004 Anderson et al.

(71) Applicant: **Ethicon LLC**, Guaynabo, PR (US)

(Continued)

(72) Inventors: **Mark S. Zeiner**, Mason, OH (US);
Michael J. Vendely, Lebanon, OH (US);
Pamela M. Ridgley, Lebanon, OH (US);
Jason L. Harris, Lebanon, OH (US);
Christopher J. Hess, Blue Ash, OH (US);
Gregory J. Bakos, Mason, OH (US)

FOREIGN PATENT DOCUMENTS

JP 1566434 S 1/2017

OTHER PUBLICATIONS

U.S. Appl. No. 16/234,727, entitled "Surgical Stapler with Tissue Engagement Features Around Tissue Containment Pin," filed Dec. 28, 2018.

(Continued)

(73) Assignee: **Ethicon LLC**, Guaynabo, PR (US)

(**) Term: **15 Years**

Primary Examiner — Wan Laymon

(21) Appl. No.: **29/675,197**

(74) *Attorney, Agent, or Firm* — Frost Brown Todd LLC

(22) Filed: **Dec. 28, 2018**

(57) **CLAIM**

(51) **LOC (12) Cl.** **24-02**

The ornamental design for an applicator for a surgical stapler buttress, as shown and described.

(52) **U.S. Cl.**
USPC **D24/145**

DESCRIPTION

(58) **Field of Classification Search**
USPC D24/145
CPC . A61B 17/0682; A61B 17/068; A61B 17/072;
A61B 17/07292; A61B 17/07207
See application file for complete search history.

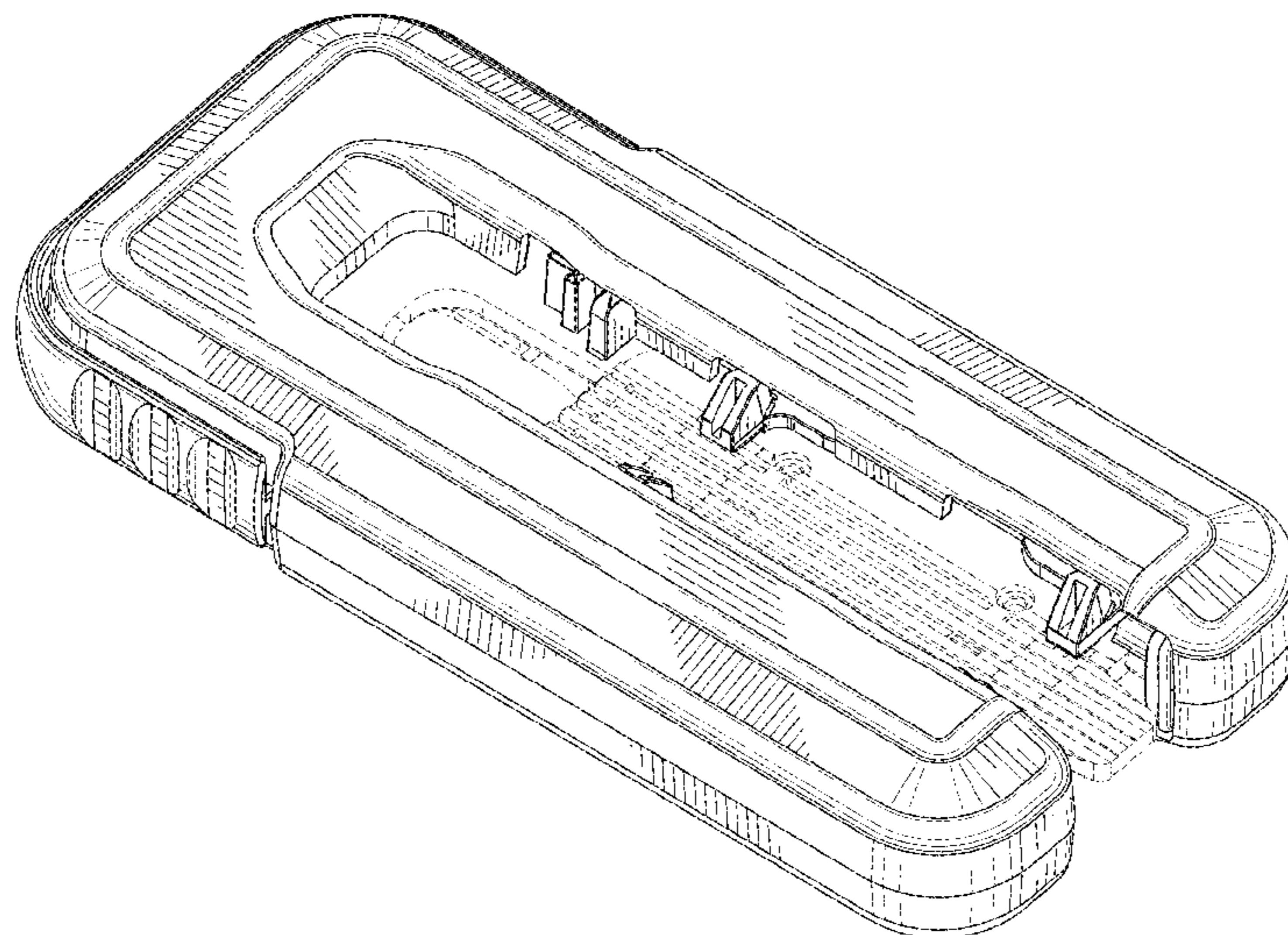
FIG. 1 is a perspective view of an applicator for a surgical stapler buttress, showing our new design; FIG. 2 is a front elevational view of the applicator for a surgical stapler buttress of FIG. 1, the opposite rear elevational view being a mirror image thereof; FIG. 3 is a right side elevational view of the applicator for a surgical stapler buttress of FIG. 1; FIG. 4 is a left side elevational view of the applicator for a surgical stapler buttress of FIG. 1; and, FIG. 5 is a top plan view of the applicator for a surgical stapler buttress of FIG. 1, the opposite bottom plan view being a mirror image thereof. The evenly-spaced broken lines in the drawings are included for purpose of illustrating portions of the applicator for a surgical stapler buttress that form no part of the claimed design.

(56) **References Cited**

U.S. PATENT DOCUMENTS

4,805,823 A	2/1989	Rothfuss	
D320,272 S *	9/1991	Green	D24/145
5,415,334 A	5/1995	Williamson, IV et al.	
5,465,895 A	11/1995	Knodel et al.	
5,597,107 A	1/1997	Knodel et al.	
5,632,432 A	5/1997	Schulze et al.	
5,673,840 A	10/1997	Schulze et al.	
5,704,534 A	1/1998	Huitema et al.	
5,792,135 A	8/1998	Madhani et al.	
5,814,055 A	9/1998	Knodel et al.	
5,817,084 A	10/1998	Jensen	
5,878,193 A	3/1999	Wang et al.	

1 Claim, 4 Drawing Sheets



(56)

References Cited

U.S. PATENT DOCUMENTS

6,939,358 B2 * 9/2005 Palacios A61B 17/07207
606/151

6,978,921 B2 12/2005 Shelton, IV et al.

6,988,650 B2 1/2006 Schwemberger et al.

7,000,818 B2 2/2006 Shelton, IV et al.

7,134,587 B2 11/2006 Schwemberger et al.

7,143,923 B2 12/2006 Shelton, IV et al.

7,147,139 B2 12/2006 Schwemberger et al.

7,147,140 B2 12/2006 Wukusick et al.

7,204,404 B2 4/2007 Nguyen et al.

7,207,472 B2 4/2007 Wukusick et al.

7,303,108 B2 12/2007 Shelton, IV

7,367,485 B2 5/2008 Shelton, IV et al.

7,380,695 B2 6/2008 Doll et al.

7,380,696 B2 6/2008 Shelton, IV et al.

7,404,508 B2 7/2008 Smith et al.

7,434,715 B2 10/2008 Shelton, IV et al.

7,524,320 B2 4/2009 Tierney et al.

7,644,848 B2 1/2010 Swayze et al.

7,691,098 B2 4/2010 Wallace et al.

7,721,930 B2 5/2010 McKenna et al.

7,806,891 B2 10/2010 Nowlin et al.

8,141,762 B2 3/2012 Bedi et al.

8,210,411 B2 7/2012 Yates et al.

8,371,491 B2 2/2013 Huitema et al.

8,408,439 B2 4/2013 Huang et al.

8,453,914 B2 6/2013 Laurent et al.

8,479,969 B2 7/2013 Shelton, IV

8,573,461 B2 11/2013 Shelton, IV et al.

8,573,465 B2 11/2013 Shelton, IV

8,579,990 B2 11/2013 Priewe

8,602,288 B2 12/2013 Shelton, IV et al.

8,616,431 B2 12/2013 Timm et al.

8,783,541 B2 7/2014 Shelton, IV et al.

8,800,838 B2 8/2014 Shelton, IV

8,801,735 B2 8/2014 Shelton, IV et al.

8,814,025 B2 8/2014 Miller et al.

8,820,605 B2 9/2014 Shelton, IV

8,844,789 B2 9/2014 Shelton, IV et al.

8,899,464 B2 12/2014 Hueil et al.

8,992,060 B2 4/2015 Dassanayake et al.

8,998,060 B2 4/2015 Bruewer et al.

9,101,359 B2 8/2015 Smith et al.

9,186,142 B2 11/2015 Fanelli et al.

9,198,644 B2 12/2015 Balek et al.

9,211,120 B2 12/2015 Scheib et al.

9,301,759 B2 4/2016 Spivey et al.

9,393,018 B2 7/2016 Wang et al.

9,398,911 B2 7/2016 Auld et al.

9,492,170 B2 11/2016 Bear et al.

9,517,065 B2 12/2016 Simms et al.

9,597,082 B2 3/2017 Stokes et al.

9,622,746 B2 4/2017 Simms et al.

9,717,497 B2 8/2017 Zerkle et al.

9,795,379 B2 10/2017 Leimbach et al.

9,808,248 B2 11/2017 Hoffman

9,839,421 B2 12/2017 Zerkle et al.

9,848,871 B2 12/2017 Harris et al.

9,867,615 B2 1/2018 Fanelli et al.

9,913,642 B2 3/2018 Leimbach et al.

9,936,954 B2 4/2018 Shelton, IV et al.

9,999,408 B2 6/2018 Boudreaux et al.

10,045,780 B2 8/2018 Adams et al.

10,092,292 B2 10/2018 Boudreaux et al.

D833,010 S 11/2018 Harris et al.

10,123,798 B2 11/2018 Baxter, III et al.

D836,198 S 12/2018 Harris et al.

D836,199 S 12/2018 Schowalter et al.

10,166,023 B2 * 1/2019 Vendely A61B 17/07207

10,251,649 B2 * 4/2019 Schellin A61B 17/07292

10,342,532 B2 * 7/2019 Zeiner A61B 17/07292

10,349,939 B2 7/2019 Shelton, IV et al.

10,433,839 B2 * 10/2019 Scheib A61B 17/07207

10,639,039 B2 * 5/2020 Vendely A61B 17/07292

2003/0120284 A1 * 6/2003 Palacios A61B 17/07207
606/139

2005/0070929 A1 * 3/2005 Dalessandro A61B 17/07207
606/151

2005/0139636 A1 6/2005 Schwemberger et al.

2005/0143759 A1 6/2005 Kelly

2005/0145672 A1 7/2005 Schwemberger et al.

2008/0169328 A1 7/2008 Shelton

2009/0095791 A1 * 4/2009 Eskaros A61B 17/072
227/175.1

2012/0241493 A1 9/2012 Baxter, III et al.

2013/0068816 A1 3/2013 Vasudevan et al.

2013/0075447 A1 3/2013 Weisenburgh, II et al.

2013/0206813 A1 8/2013 Nalagatla

2014/0239037 A1 8/2014 Boudreaux et al.

2015/0351758 A1 12/2015 Shelton, IV et al.

2016/0089146 A1 3/2016 Harris et al.

2016/0278774 A1 9/2016 Shelton, IV et al.

2017/0027571 A1 2/2017 Nalagatla et al.

2017/0049444 A1 2/2017 Schellin et al.

2017/0055980 A1 3/2017 Vendely et al.

2017/0055981 A1 3/2017 Vendely et al.

2017/0055982 A1 3/2017 Zeiner et al.

2017/0055986 A1 3/2017 Harris et al.

2017/0056016 A1 3/2017 Barton et al.

2017/0056017 A1 3/2017 Vendely et al.

2017/0056018 A1 3/2017 Zeiner et al.

2017/0086823 A1 3/2017 Leimbach et al.

2017/0086837 A1 3/2017 Vendely et al.

2017/0086842 A1 3/2017 Shelton, IV et al.

2017/0119386 A1 * 5/2017 Scheib A61B 17/07207

2017/0119391 A1 * 5/2017 Schellin A61B 17/068

2018/0235610 A1 8/2018 Harris et al.

2018/0235611 A1 8/2018 Harris et al.

2018/0235616 A1 * 8/2018 Shelton, IV A61B 17/07207

2018/0235617 A1 * 8/2018 Shelton, IV A61B 17/072

2018/0235619 A1 8/2018 Harris et al.

2018/0235622 A1 * 8/2018 Shelton, IV A61B 17/07207

2019/0000481 A1 1/2019 Harris et al.

2019/0175173 A1 * 6/2019 Harris A61B 17/07207

2020/0015817 A1 * 1/2020 Harris A61B 17/07207

OTHER PUBLICATIONS

U.S. Appl. No. 16/234,740, entitled "Surgical Stapler with Sloped Staple Deck for Varying Tissue Compression," filed Dec. 28, 2018.

U.S. Appl. No. 16/235,473, entitled "Adhesive Distribution on Buttress for Surgical Stapler," filed Dec. 28, 2018.

U.S. Appl. No. 16/235,488, entitled "Configuration of Buttress for Surgical Stapler," filed Dec. 28, 2018.

U.S. Appl. No. 16/235,503, entitled "Surgical Stapler Buttress with Tissue In-Growth Promotion," filed Dec. 28, 2018.

U.S. Appl. No. 16/235,522, entitled "Applicator for Surgical Stapler Buttress," filed Dec. 28, 2018.

U.S. Appl. No. 16/235,541, entitled "Packaging for Surgical Stapler Buttress," filed Dec. 28, 2018.

U.S. Appl. No. 16/235,617, entitled "Method of Applying Buttresses to Surgically Cut and Stapled Sites," filed Dec. 28, 2018.

U.S. Appl. No. 16/235,630, entitled "Curved Tip Surgical Buttress Applicator with Opening Feature for Curved Tip Alignment," filed Dec. 28, 2018.

U.S. Appl. No. 16/235,670, entitled "Curved Tip Surgical Buttress Assembly Applicator with Proximal Alignment Features," filed Dec. 28, 2018.

U.S. Appl. No. 16/235,681, entitled "Curved Tip Surgical Buttress Assembly Applicator with Compression Layer Pocket Features," filed Dec. 28, 2018.

U.S. Appl. No. 29/675,045, entitled "Surgical Stapler Deck with Tissue Engagement Cleat Features," filed Dec. 28, 2018.

U.S. Appl. No. 29/675,047, entitled "Surgical Stapler Deck with Tissue Engagement Recess Features," filed Dec. 28, 2018.

U.S. Appl. No. 29/675,168, entitled "Applicator for a Surgical Stapler Buttress," filed Dec. 28, 2018.

U.S. Appl. No. 29/675,170, entitled "Buttress Assembly for a Surgical Stapler," filed Dec. 28, 2018.

(56)

References Cited

OTHER PUBLICATIONS

U.S. Appl. No. 29/675,172, entitled "Applicator Tray for a Buttress Applicator for a Surgical Stapler," filed Dec. 28, 2018.

U.S. Appl. No. 29/675,199, entitled "Buttress Assembly for a Surgical Stapler," filed Dec. 28, 2018.

U.S. Appl. No. 62/209,041, entitled "Method and Apparatus for Applying a Buttress to End Effector of a Surgical Stapler," filed Aug. 24, 2015.

Japanese Office Action, Notification, dated Jun. 23, 2020 for Application No. JP 2019-014278, 1 pg.

* cited by examiner

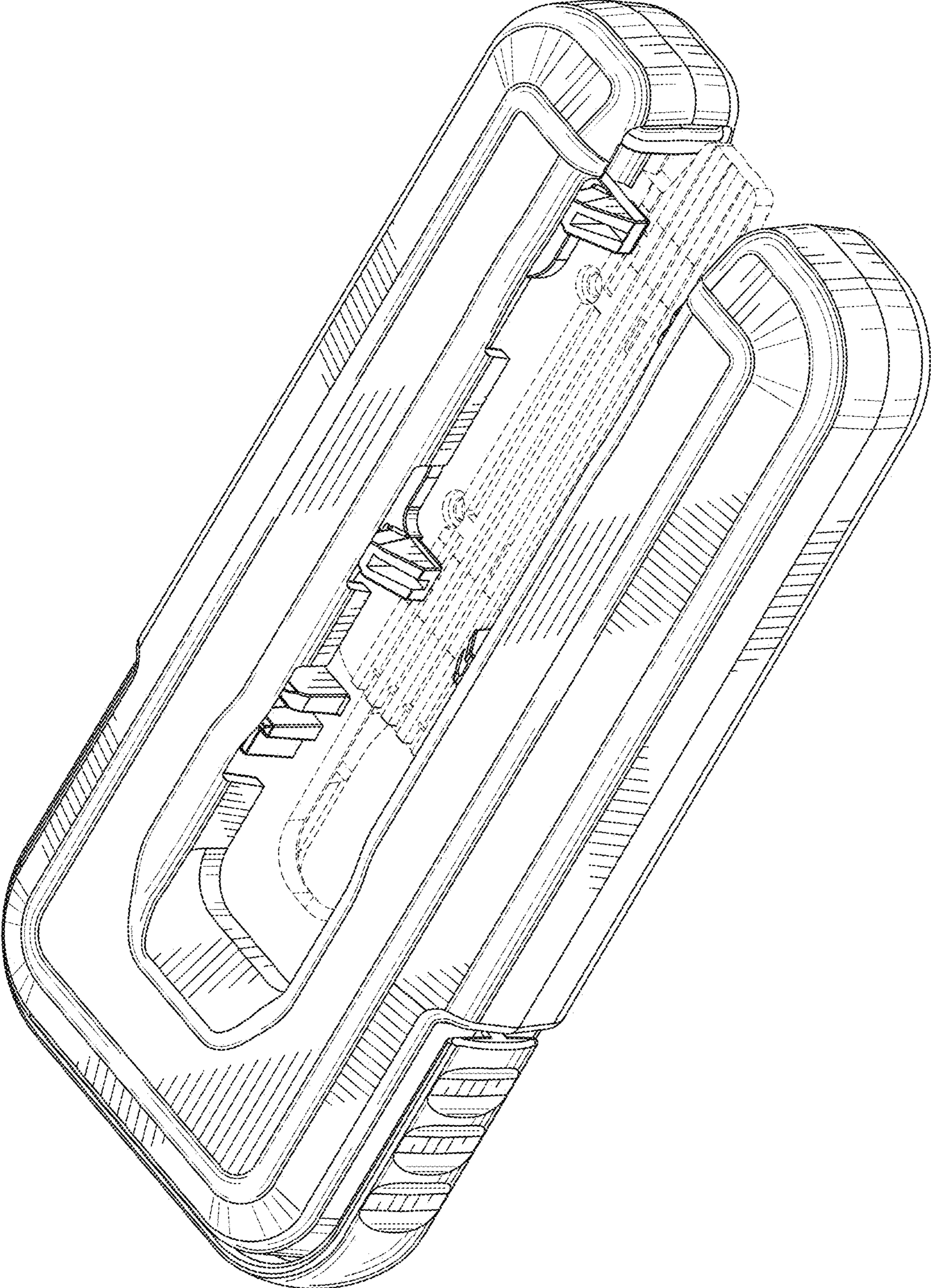


Fig. 1

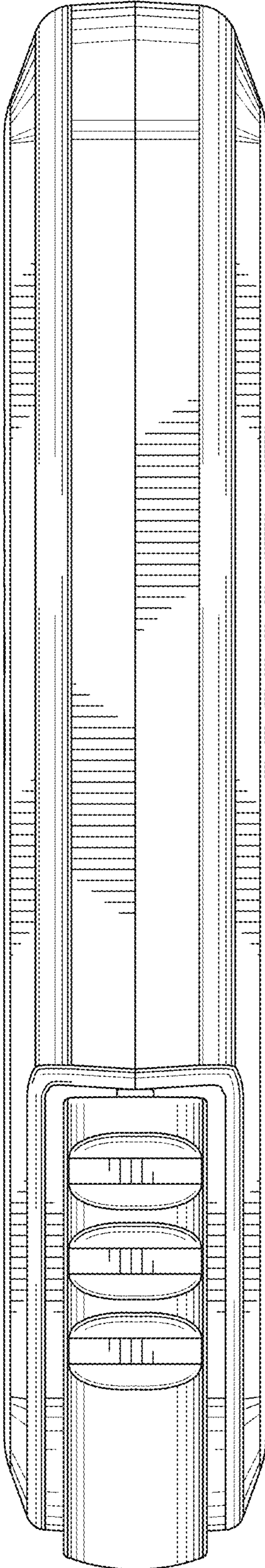


Fig. 2

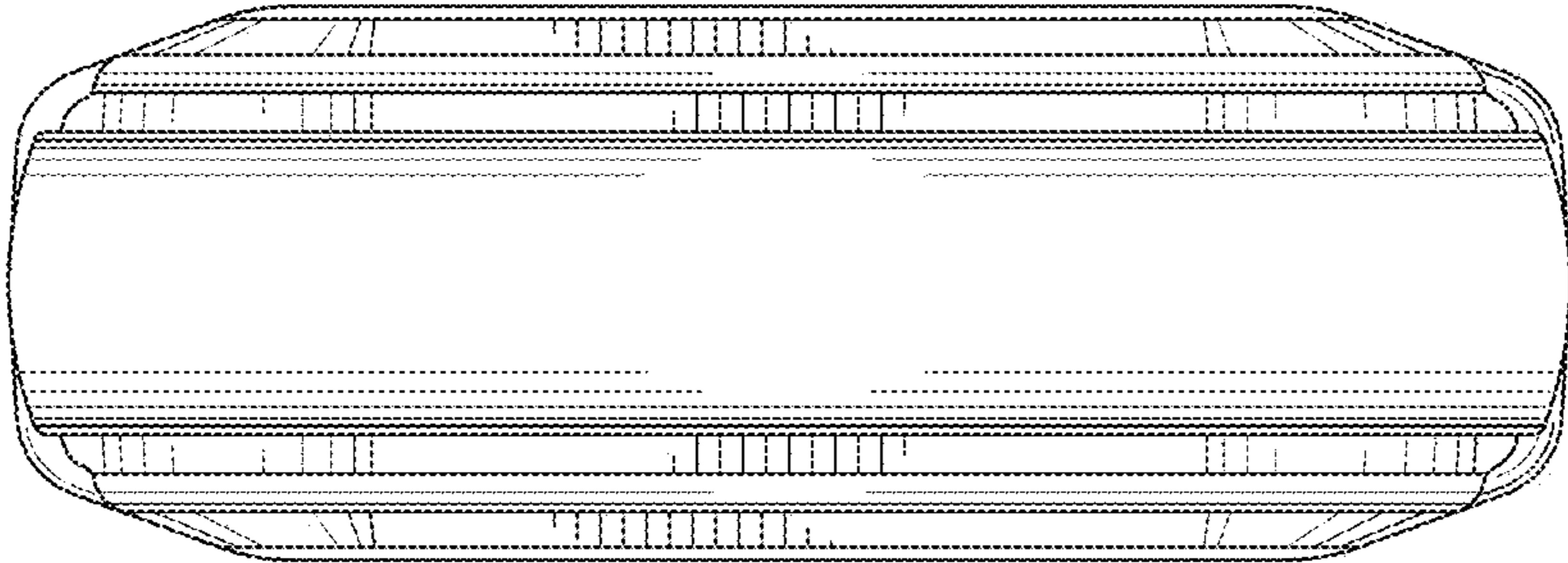


Fig. 3

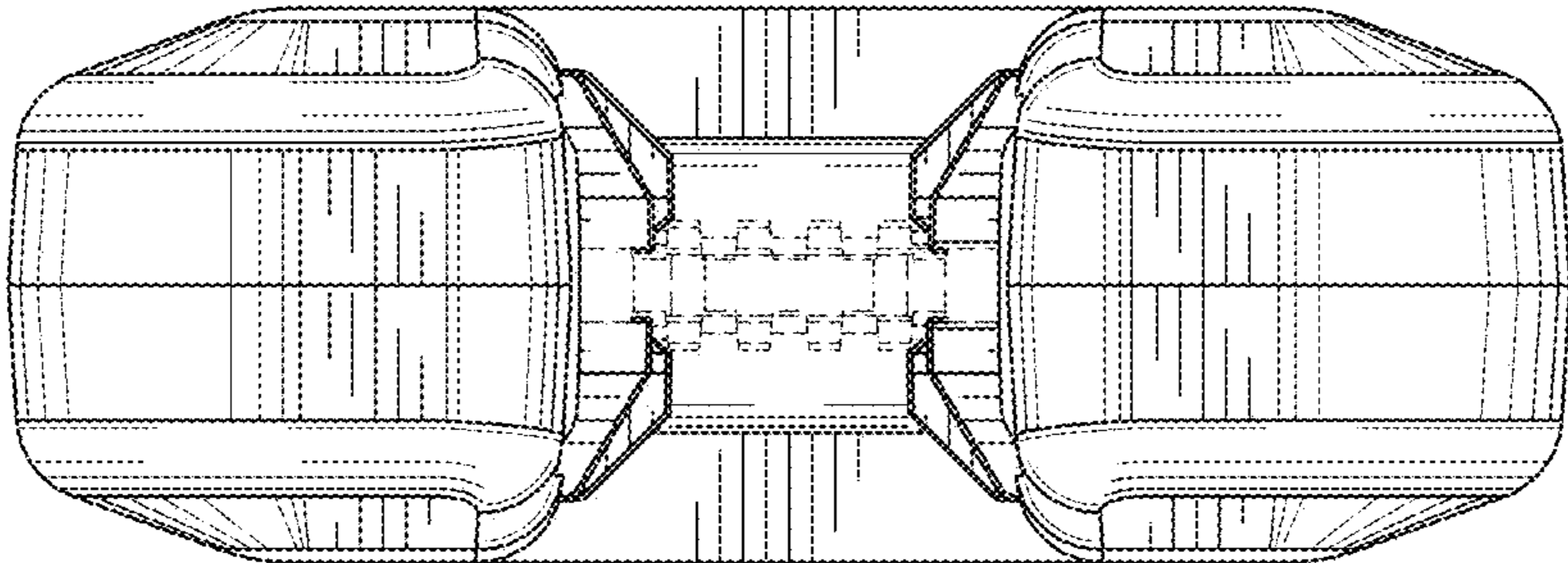


Fig. 4

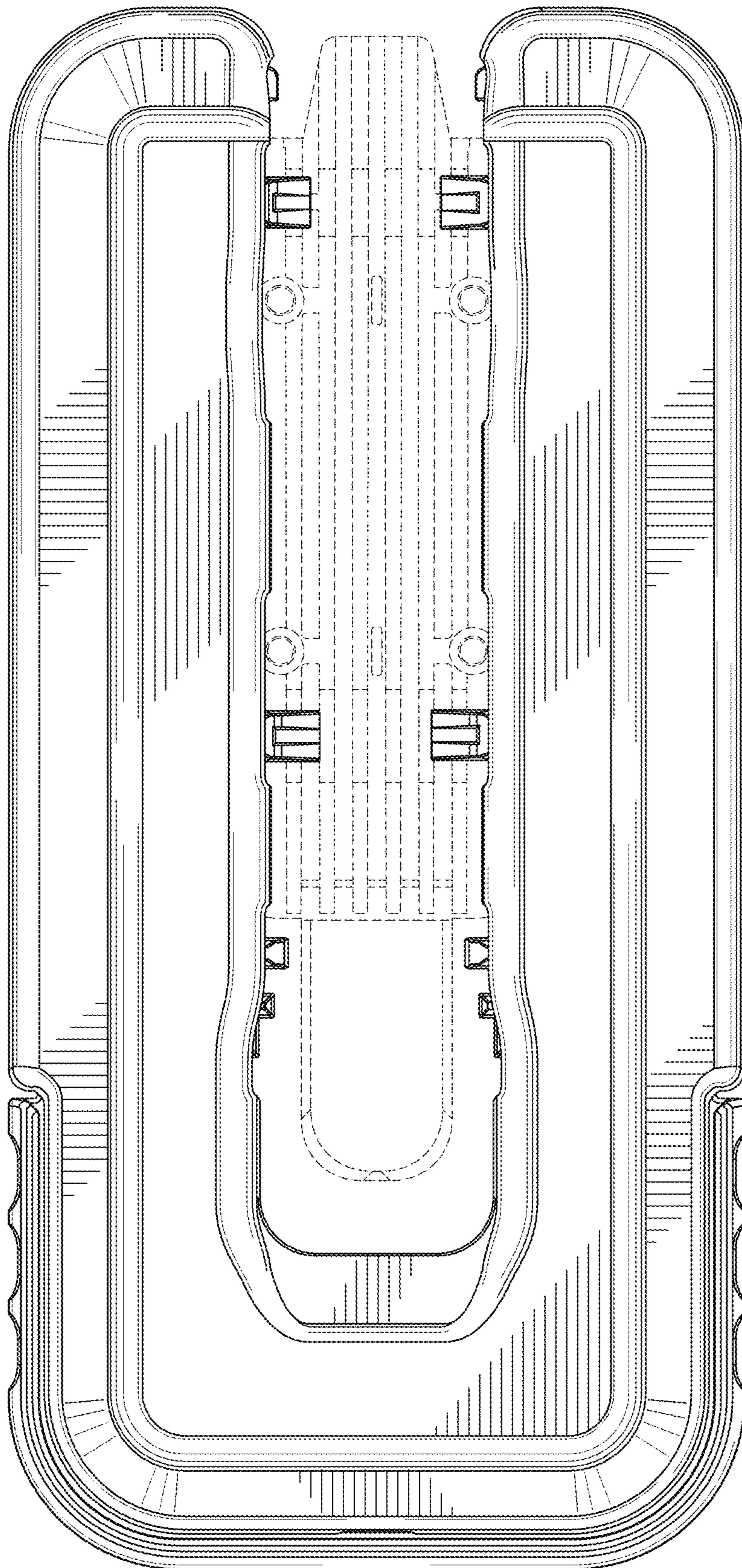


Fig. 5