



US00D903113S

(12) **United States Design Patent**  
**Lamoise**

(10) **Patent No.:** **US D903,113 S**

(45) **Date of Patent:** **\*\* Nov. 24, 2020**

(54) **LASER DEVICE**

(71) Applicant: **URGO RECHERCHE INNOVATION ET DEVELOPPEMENT**, Chenôve (FR)

(72) Inventor: **Michel Lamoise**, Bessey-lès-Cîteaux (FR)

(73) Assignee: **URGO RECHERCHE INNOVATION ET DEVELOPPEMENT**, Chenôve (FR)

(\*\*) Term: **15 Years**

(21) Appl. No.: **29/580,178**

(22) Filed: **Oct. 6, 2016**

(30) **Foreign Application Priority Data**

Apr. 6, 2016 (EM) ..... 003058213-0001

(51) **LOC (12) Cl.** ..... **24-02**

(52) **U.S. Cl.**  
USPC ..... **D24/133**

(58) **Field of Classification Search**  
USPC ..... D24/133, 134, 137, 138, 130; D22/108, D22/109; 606/2, 9, 27; D16/132  
CPC ..... A61B 18/20; A61B 18/22; A61B 2018/00452; A61B 2018/0047; H01S 5/022; H01S 5/00; H01S 5/005; G02B 6/42; G02B 6/4214; A61N 5/0616  
See application file for complete search history.

(56) **References Cited**

**U.S. PATENT DOCUMENTS**

D374,719 S \* 10/1996 Py ..... D24/113  
8,246,667 B2 8/2012 Cornil  
D669,957 S \* 10/2012 Hughes ..... D22/108  
D678,788 S \* 3/2013 Kollmann ..... D10/70  
D683,374 S \* 5/2013 Yokoi ..... D16/132

D683,376 S \* 5/2013 Yokoi ..... D16/132  
D683,377 S \* 5/2013 Yokoi ..... D16/132  
8,556,887 B2 10/2013 Cornil  
D716,858 S \* 11/2014 Kobayashi ..... D16/132  
D723,080 S \* 2/2015 Kobayashi ..... D16/132  
D741,391 S \* 10/2015 Sui ..... D16/208  
D749,724 S \* 2/2016 Shi ..... D24/130  
D763,399 S \* 8/2016 Anderson ..... D22/109  
D778,224 S \* 2/2017 Eriksson ..... D12/412  
D778,390 S \* 2/2017 Zhang ..... D22/109  
9,566,088 B2 \* 2/2017 Ignon ..... A61B 50/20  
D789,604 S \* 6/2017 Levi ..... D24/133  
D789,819 S \* 6/2017 Chen ..... D10/106.6  
9,827,437 B2 \* 11/2017 Lischinsky ..... A61N 1/0492  
9,844,682 B2 \* 12/2017 Lischinsky ..... A61B 18/14  
10,335,232 B2 \* 7/2019 Boxer Wachler ..... A61F 9/008  
10,413,748 B2 \* 9/2019 Beerwerth ..... A61B 18/203

(Continued)

*Primary Examiner* — Cathron C Brooks

*Assistant Examiner* — Yolanda Robinson

(74) *Attorney, Agent, or Firm* — Cantor Colburn LLP

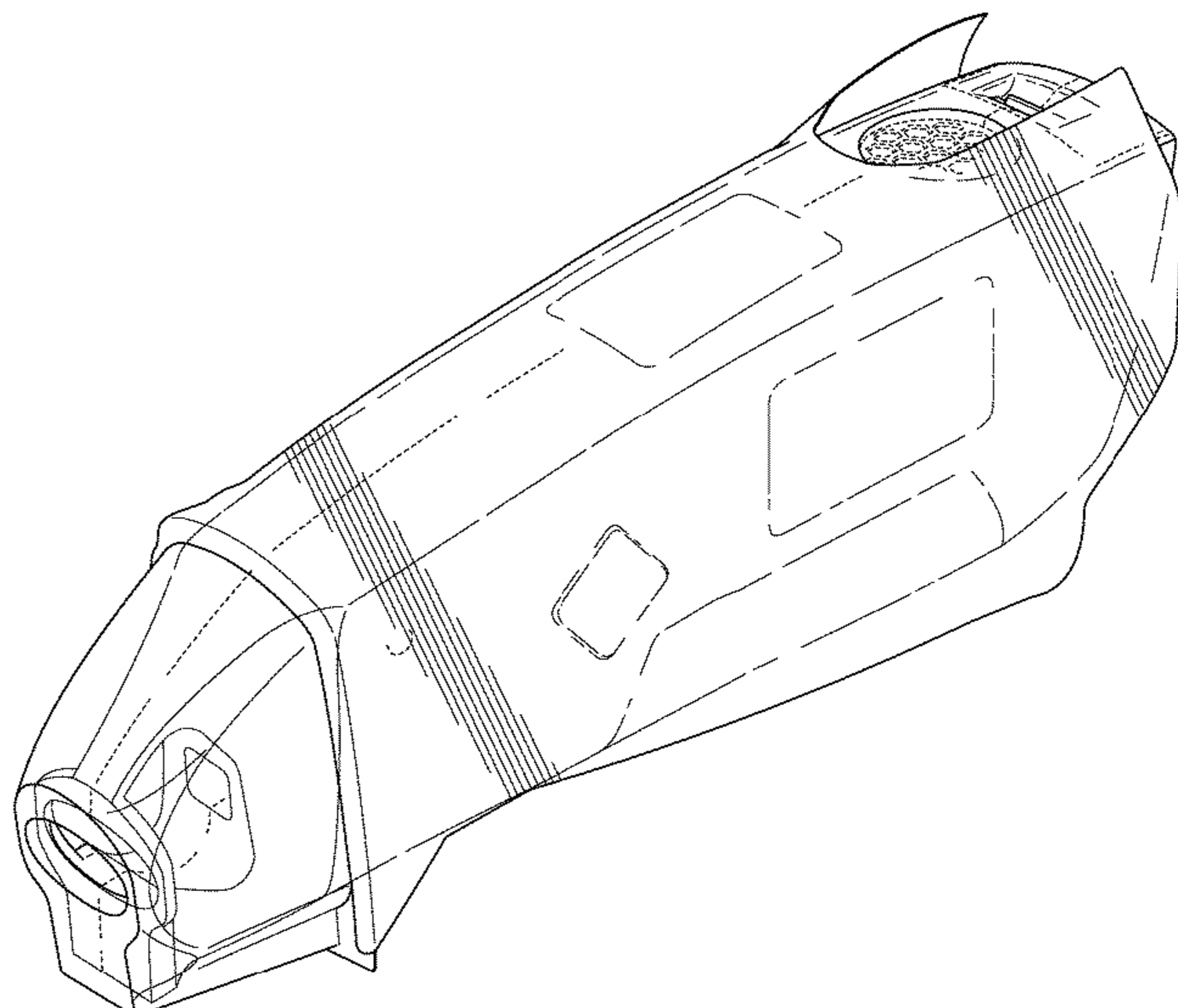
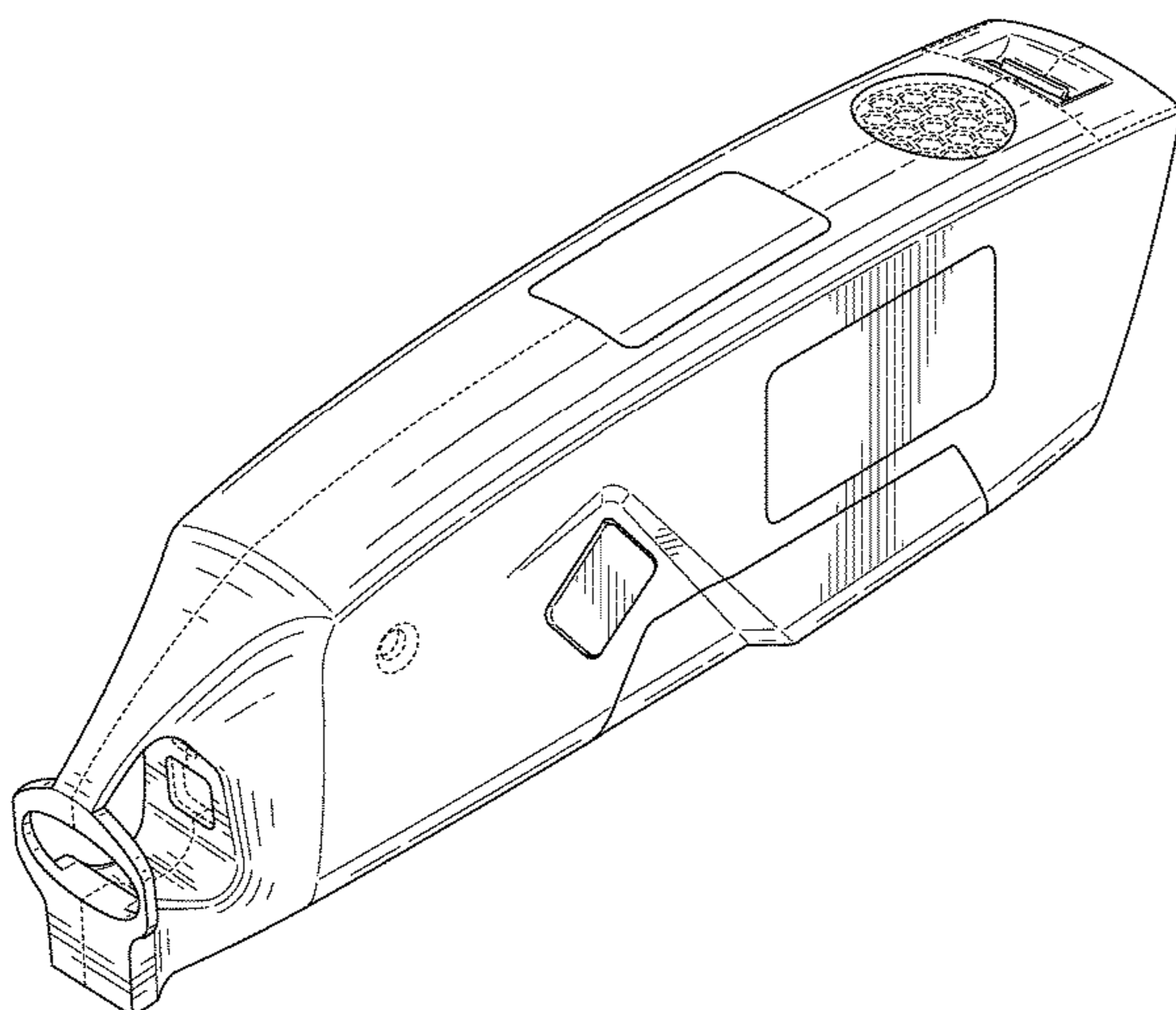
(57) **CLAIM**

I claim, the ornamental design for a laser device, as shown and described.

**DESCRIPTION**

FIG. 1 is a front perspective view of a laser device, showing my new design;  
FIG. 2 is a first side perspective view thereof;  
FIG. 3 is a second side perspective view thereof, taken opposite from that of FIG. 2;  
FIG. 4 is a first side elevation view thereof;  
FIG. 5 is a second side elevation view thereof, taken opposite from that of FIG. 4;  
FIG. 6 is a side view thereof adjacent to a cover; and,  
FIG. 7 is a front perspective view thereof with the cover on the device.  
Portions shown in broken lines form no part of the claimed design.

**1 Claim, 7 Drawing Sheets**



(56)

**References Cited**

U.S. PATENT DOCUMENTS

2012/0049836 A1\* 3/2012 Kessler ..... G01N 25/18  
324/71.1  
2013/0066403 A1 3/2013 Giraud  
2017/0049494 A1\* 2/2017 Stern ..... A61B 18/1402  
2018/0071021 A1\* 3/2018 Kindermann ..... A61B 18/18  
2018/0111002 A1\* 4/2018 Gamelin ..... H01L 33/641  
2018/0147012 A1\* 5/2018 Tankovich ..... A61B 18/203  
2018/0263696 A1\* 9/2018 Valtzer ..... A61M 35/003  
2019/0217120 A1\* 7/2019 Jones ..... A61N 5/0616

\* cited by examiner

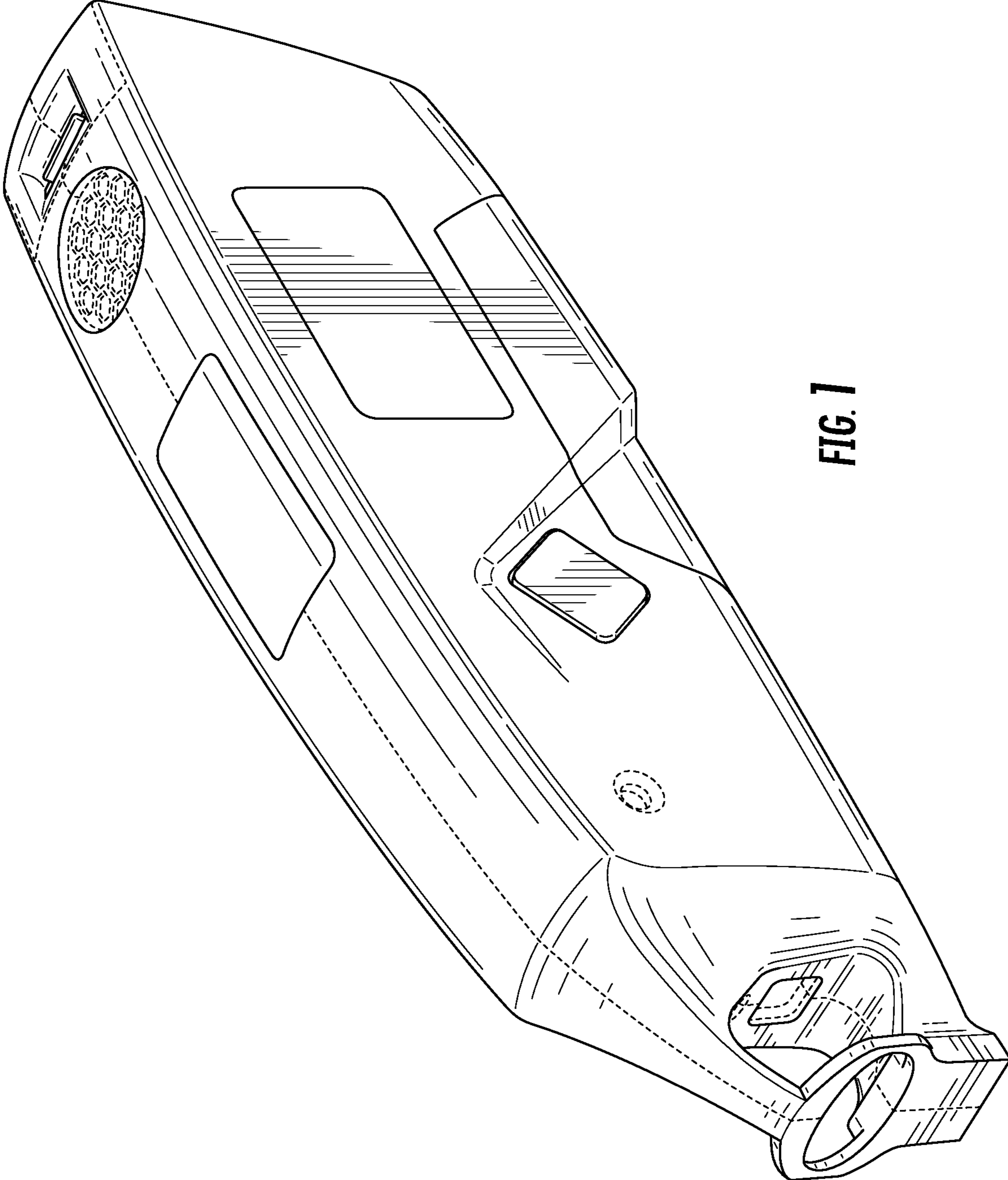


FIG. 1

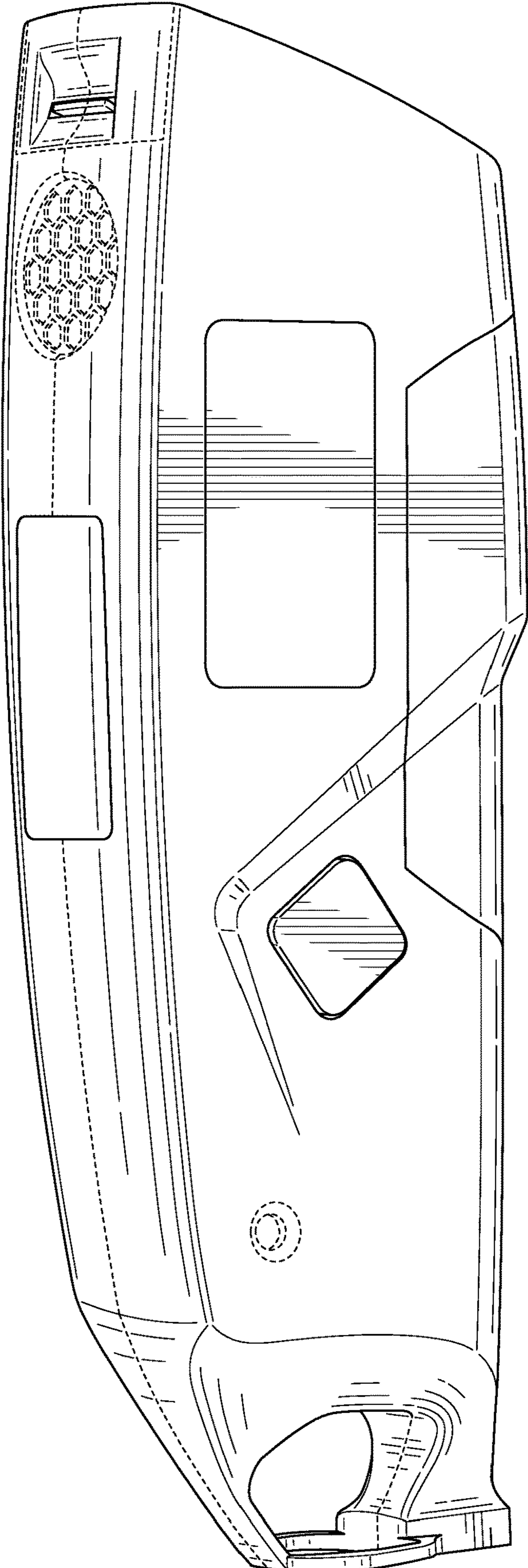


FIG. 2

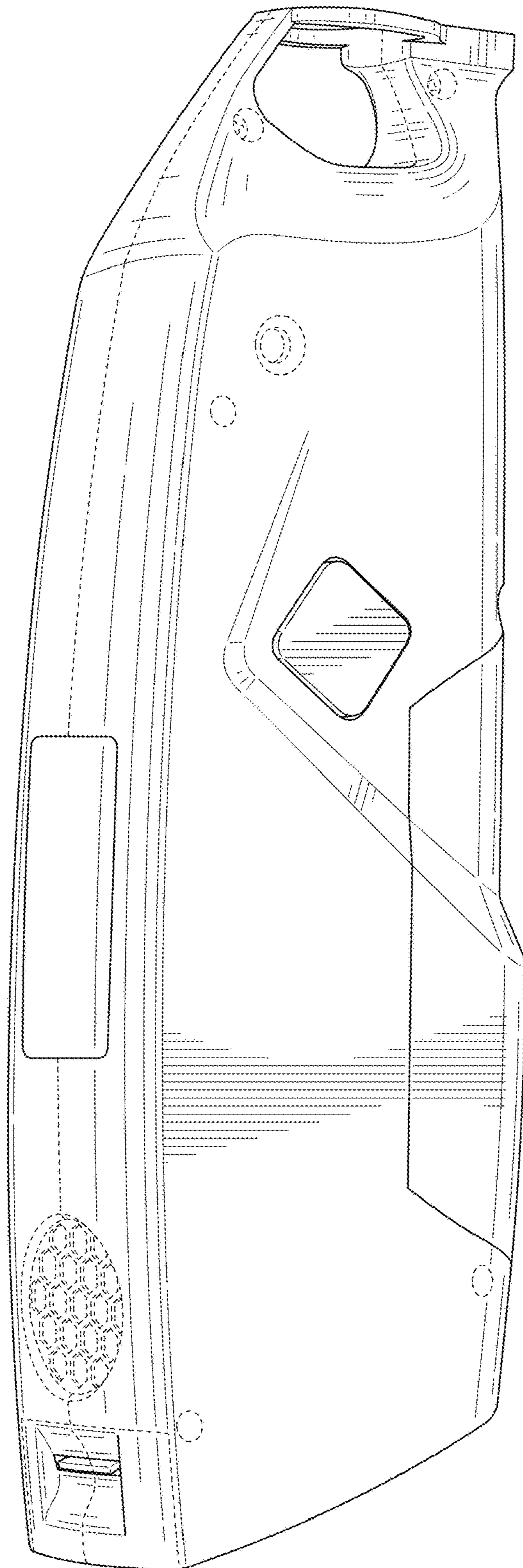


FIG. 3

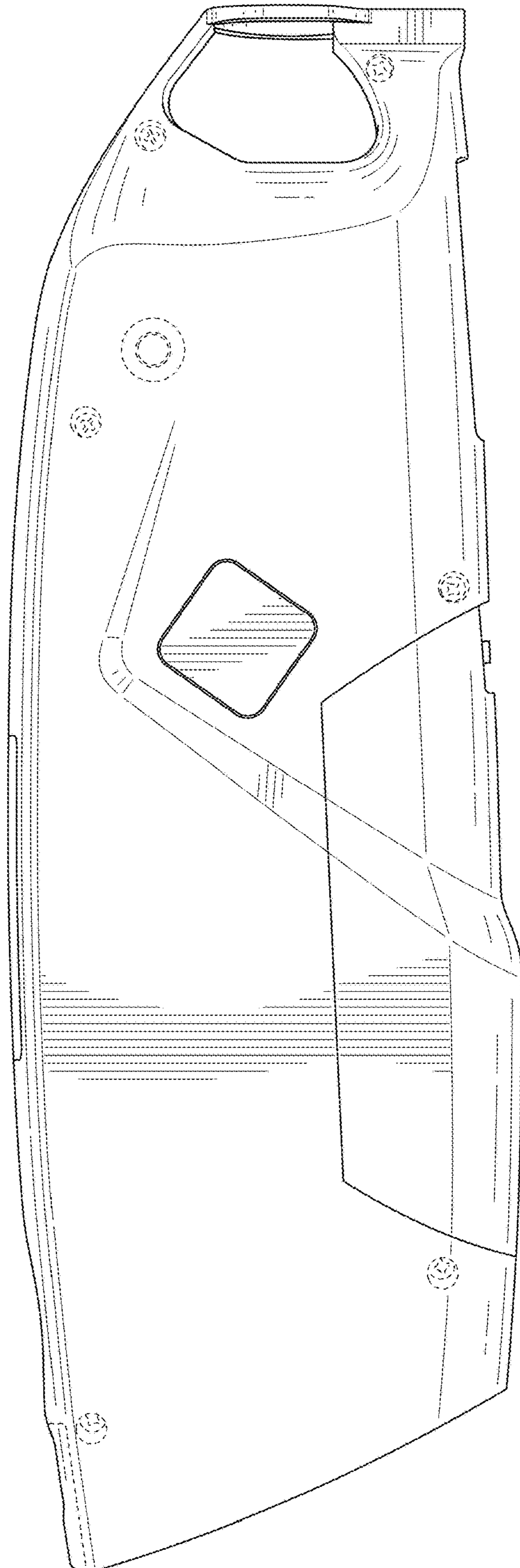


FIG. 4

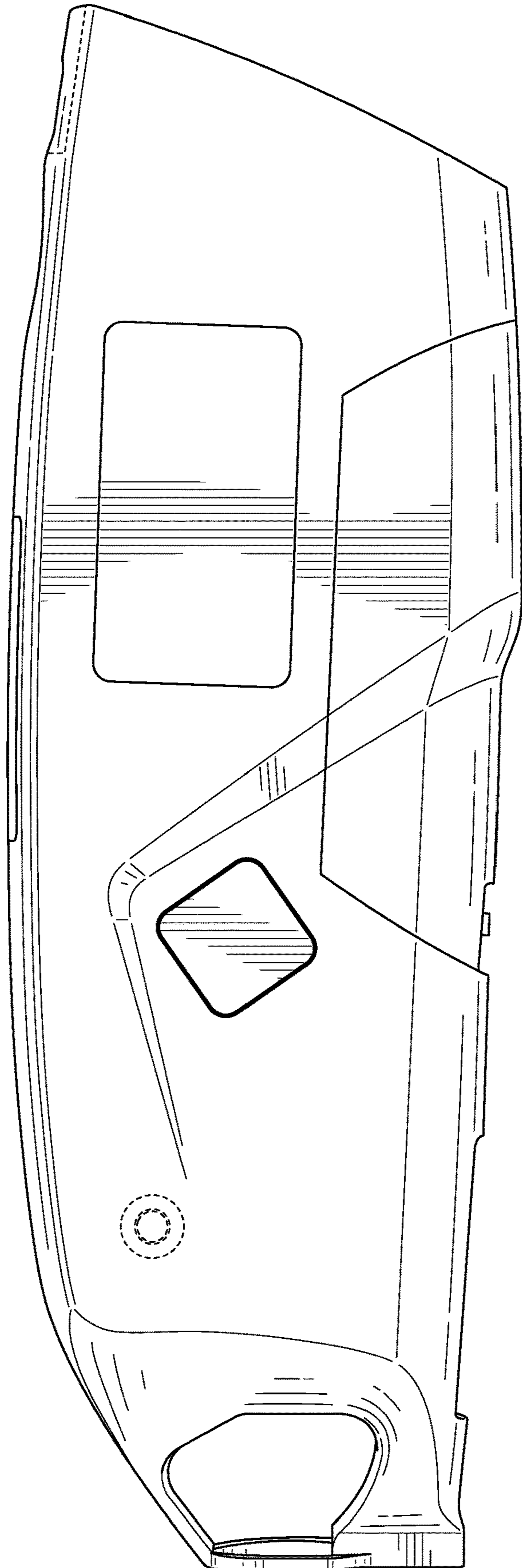
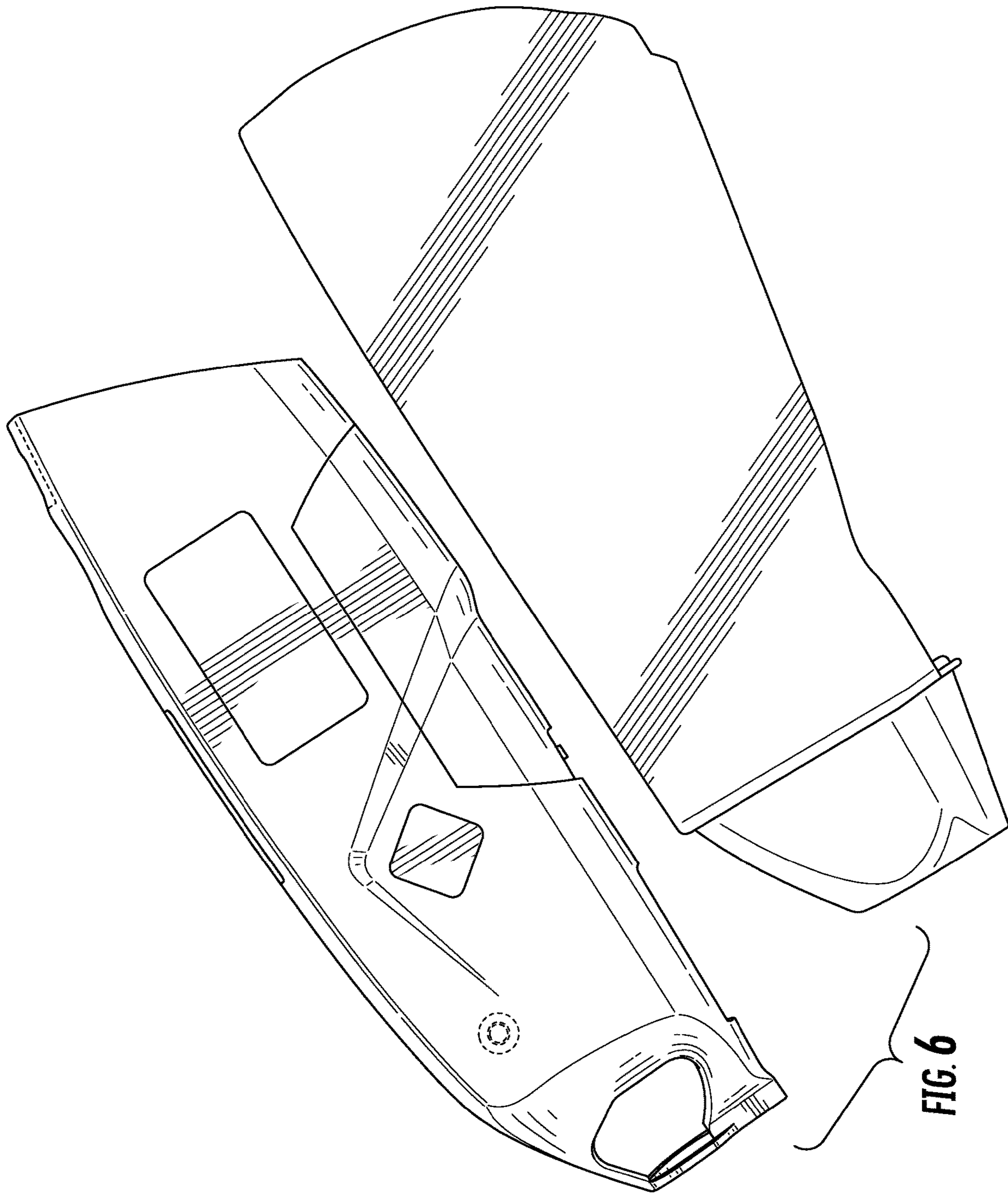


FIG. 5





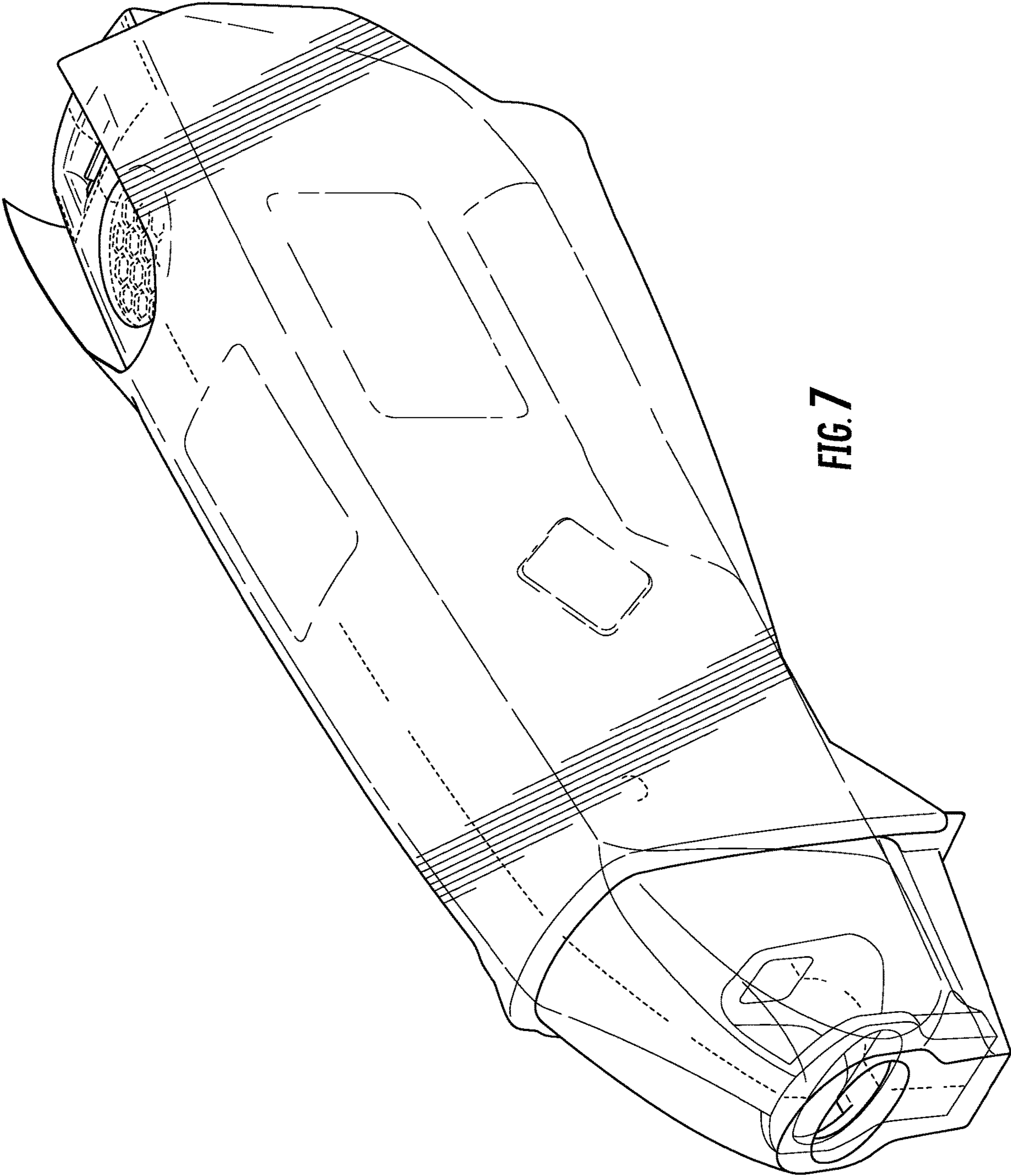


FIG. 7