



US00D903111S

(12) **United States Design Patent** (10) **Patent No.:** **US D903,111 S**  
**Pupino et al.** (45) **Date of Patent:** **\*\* Nov. 24, 2020**

(54) **CATHETER GRIPPING AID**  
(71) Applicant: **Hollister Incorporated**, Libertyville, IL (US)  
(72) Inventors: **Scott J. Pupino**, Oak Park, IL (US);  
**Martin P. Creaven**, Ballina (IE);  
**Barbara J. Kearns**, Balla (IE)  
(73) Assignee: **Hollister Incorporated**, Libertyville, IL (US)

(\*\*) Term: **15 Years**

(21) Appl. No.: **29/633,637**

(22) Filed: **Jan. 15, 2018**

(51) **LOC (12) Cl.** ..... **24-02**

(52) **U.S. Cl.**  
USPC ..... **D24/130**

(58) **Field of Classification Search**  
USPC ..... D24/108, 111, 155, 127-131, 112-114,  
D24/133, 186; 606/181, 185; 604/264,  
604/523-528, 272, 187, 158,  
604/164.01-164.11, 181, 184, 227;  
600/101, 139, 143; 128/200.24, 207.14,  
128/207.15  
CPC ..... A61M 25/00; A61M 39/00; A61M 27/00;  
A61M 25/0043; A61M 25/0067; A61M  
25/0097; A61F 2/958  
See application file for complete search history.

(56) **References Cited**

U.S. PATENT DOCUMENTS

3,154,080 A 10/1964 Rowan et al.  
3,421,509 A 1/1969 Fiore  
4,051,849 A 10/1977 Poncy et al.  
4,834,711 A 5/1989 Greenfield et al.  
4,871,358 A 10/1989 Gold  
D321,251 S \* 10/1991 Jepson ..... D24/112  
5,242,428 A 9/1993 Palestrant

5,334,166 A 8/1994 Palestrant  
5,368,575 A 11/1994 Chang  
D369,408 S \* 4/1996 Laun ..... D24/133  
D376,204 S \* 12/1996 Huculak ..... D24/133  
5,792,114 A 8/1998 Fiore  
D405,232 S \* 2/1999 Stevens ..... D24/133  
5,871,475 A 2/1999 Frassica  
D422,359 S \* 4/2000 Fitch ..... D24/133  
6,090,075 A 7/2000 House  
D429,526 S \* 8/2000 Sullivan ..... D24/133

(Continued)

FOREIGN PATENT DOCUMENTS

DE 19826746 C1 11/1999  
EP 0972536 A1 1/2000

(Continued)

OTHER PUBLICATIONS

USPTO Office Action of Sep. 3, 2020 for U.S. Appl. No. 29/653,497.

*Primary Examiner* — David G Muller

(74) *Attorney, Agent, or Firm* — Cook Alex Ltd.

(57) **CLAIM**

The ornamental design for a catheter gripping aid, as shown and described.

**DESCRIPTION**

FIG. 1 is a perspective view of a catheter gripping aid, showing the new design.

FIG. 2 is a top plan view thereof.

FIG. 3 is a bottom plan view thereof.

FIG. 4 is a right side elevational view thereof.

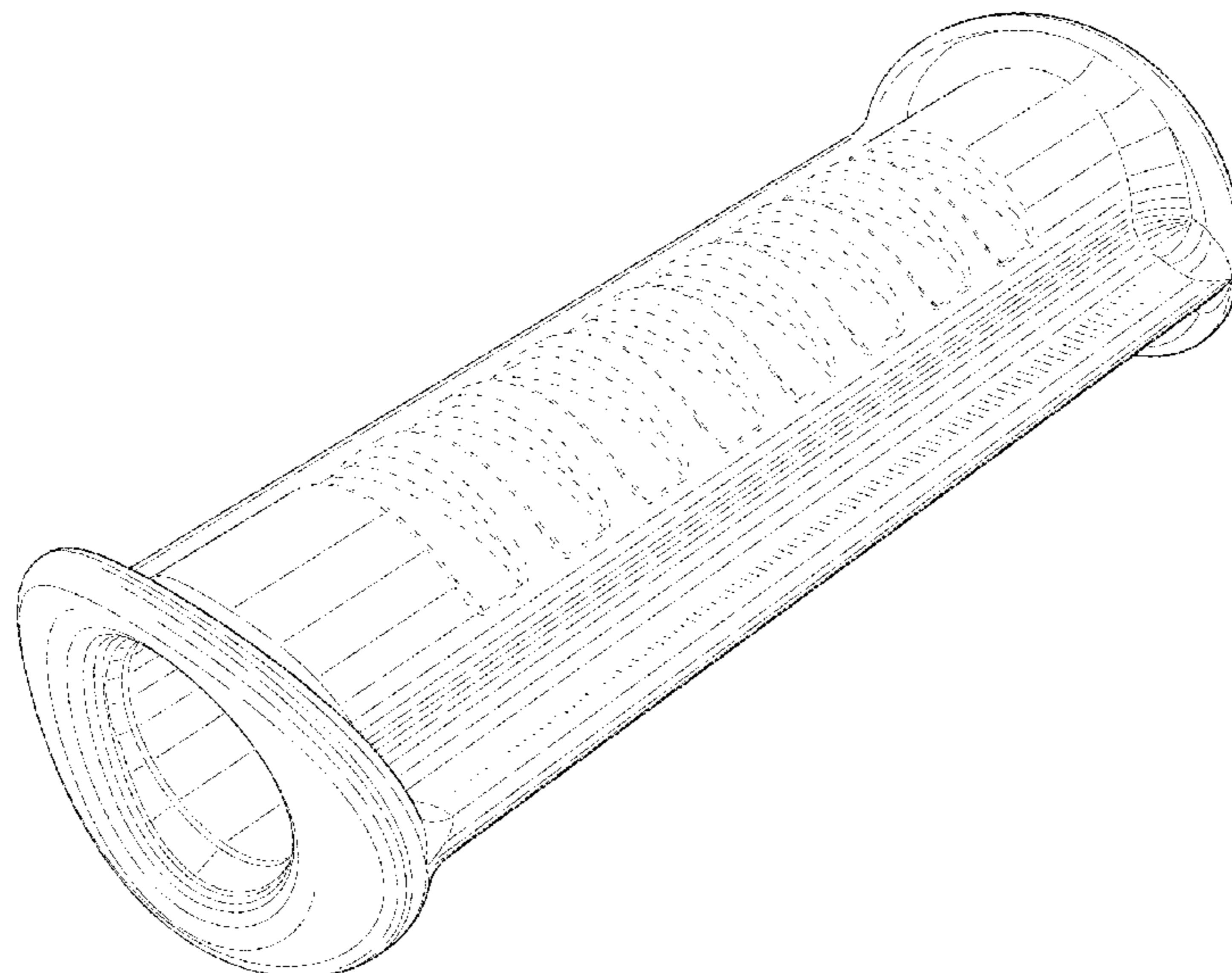
FIG. 5 is a left side elevational view thereof.

FIG. 6 is a rear elevational view thereof; and,

FIG. 7 is a front elevational view thereof.

The broken line showing parts of the drawings is included for the purpose of illustrating use and environment and forms no part of the claimed design.

**1 Claim, 3 Drawing Sheets**



(56)

References Cited

U.S. PATENT DOCUMENTS

6,355,004 B1 3/2002 Pedersen et al.  
 6,402,726 B1 6/2002 Genese  
 D465,024 S \* 10/2002 Henderson ..... D24/133  
 6,578,709 B1 6/2003 Kavanagh et al.  
 6,602,244 B2 8/2003 Kavanagh et al.  
 6,613,014 B1 11/2003 Chi  
 6,676,651 B2 1/2004 Haacke et al.  
 7,094,220 B2 8/2006 Tanghoj et al.  
 D531,308 S \* 10/2006 Bendek ..... D24/114  
 D538,341 S \* 3/2007 Oas ..... D19/121  
 D546,946 S \* 7/2007 Blake ..... D24/129  
 D553,738 S \* 10/2007 Simonson ..... D24/133  
 D555,241 S \* 11/2007 Nakanishi ..... D24/133  
 7,601,158 B2 10/2009 House  
 7,632,256 B2 12/2009 Mosler et al.  
 D612,044 S \* 3/2010 Scheibe ..... D24/130  
 7,938,807 B2 5/2011 House  
 7,963,908 B2 6/2011 Lindberg  
 D648,851 S \* 11/2011 Copeland ..... D24/112  
 8,181,778 B1 5/2012 van Groningen et al.  
 8,328,792 B2 12/2012 Nishtala et al.  
 D675,318 S \* 1/2013 Luk ..... D24/130  
 D677,785 S \* 3/2013 Stones ..... D24/113  
 8,512,313 B2 \* 8/2013 Atkinson ..... A61M 25/0017  
 604/264  
 8,523,823 B2 9/2013 Ostfeld et al.  
 D726,905 S \* 4/2015 Tegg ..... D24/130  
 D739,005 S \* 9/2015 Matsumura ..... D24/108  
 D813,383 S \* 3/2018 Kearns ..... D24/127  
 2003/0018322 A1 1/2003 Tanghoj et al.  
 2003/0060807 A1 3/2003 Tanghoj et al.  
 2005/0096688 A1 5/2005 Slazas et al.  
 2006/0184105 A1 \* 8/2006 Townsend ..... A61M 25/0054  
 604/93.01  
 2007/0088330 A1 4/2007 House  
 2008/0015527 A1 1/2008 House  
 2008/0051630 A1 2/2008 Levey et al.  
 2008/0171973 A1 7/2008 House  
 2009/0043287 A1 2/2009 Mosler et al.  
 2009/0099532 A1 4/2009 Cuevas et al.  
 2010/0030197 A1 2/2010 House

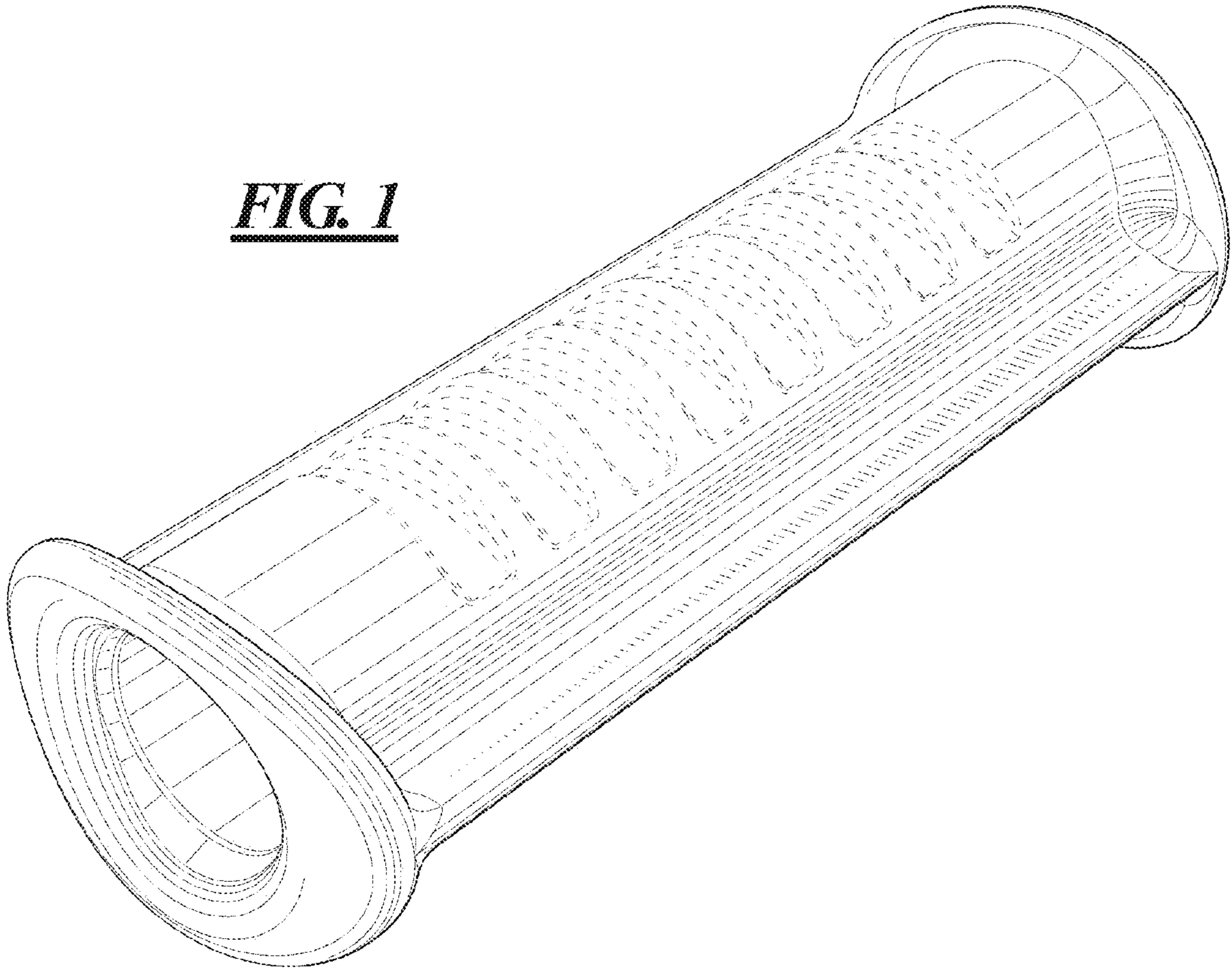
2010/0087847 A1 \* 4/2010 Hong ..... A61B 5/150022  
 606/181  
 2010/0258568 A1 10/2010 Frederiksen et al.  
 2010/0286664 A1 11/2010 Haslinger  
 2011/0060317 A1 3/2011 Frojd  
 2012/0168324 A1 7/2012 Carleo  
 2012/0239005 A1 9/2012 Conway et al.  
 2013/0144271 A1 6/2013 Passadore et al.  
 2013/0231641 A1 9/2013 Gustavsson  
 2014/0066904 A1 3/2014 Young  
 2014/0066905 A1 3/2014 Young  
 2014/0088516 A1 \* 3/2014 Stevenson ..... A61M 5/00  
 604/263  
 2014/0257250 A1 11/2014 Palmer  
 2015/0231365 A1 \* 8/2015 Stenzel ..... A61M 25/0127  
 600/417  
 2015/0258307 A1 \* 9/2015 Osypka ..... A61M 25/0136  
 604/529  
 2015/0270634 A1 \* 9/2015 Buesseler ..... H01R 13/02  
 606/41  
 2015/0335861 A1 \* 11/2015 Osypka ..... A61M 25/0147  
 604/95.04

FOREIGN PATENT DOCUMENTS

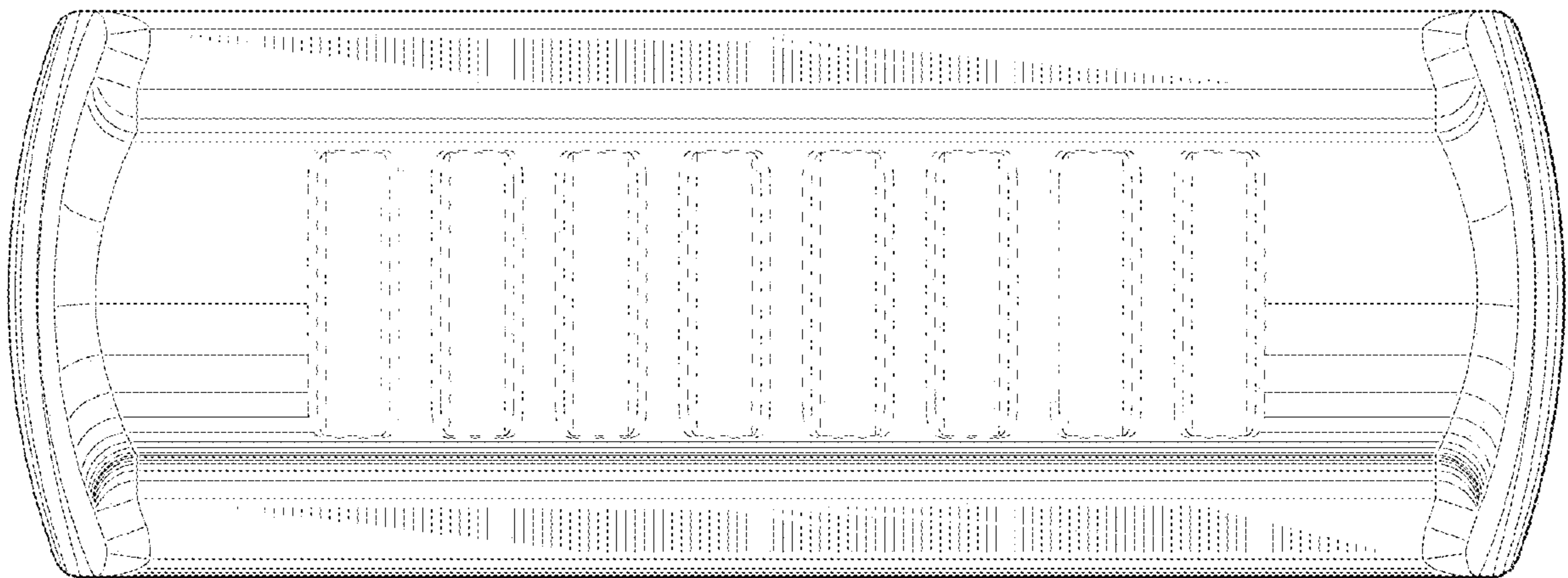
EP 1485158 B1 1/2008  
 EP 2016821 A1 1/2009  
 EP 2105158 A2 9/2009  
 EP 2106821 A1 10/2009  
 EP 2471569 A1 7/2012  
 EP 2636421 A1 9/2013  
 GB 322426 12/1929  
 SE 518002 C2 8/2002  
 WO WO 00/30575 A1 6/2000  
 WO WO 01/74417 A2 10/2001  
 WO WO 03/002178 A2 1/2003  
 WO WO 03/008029 A2 1/2003  
 WO WO 2006/121508 A2 11/2006  
 WO WO 2007/106431 A2 9/2007  
 WO WO 2010/129362 A1 11/2010  
 WO WO 2011/011023 A1 1/2011  
 WO WO 2011/019359 A1 2/2011  
 WO WO 2012/176189 A1 12/2012

\* cited by examiner

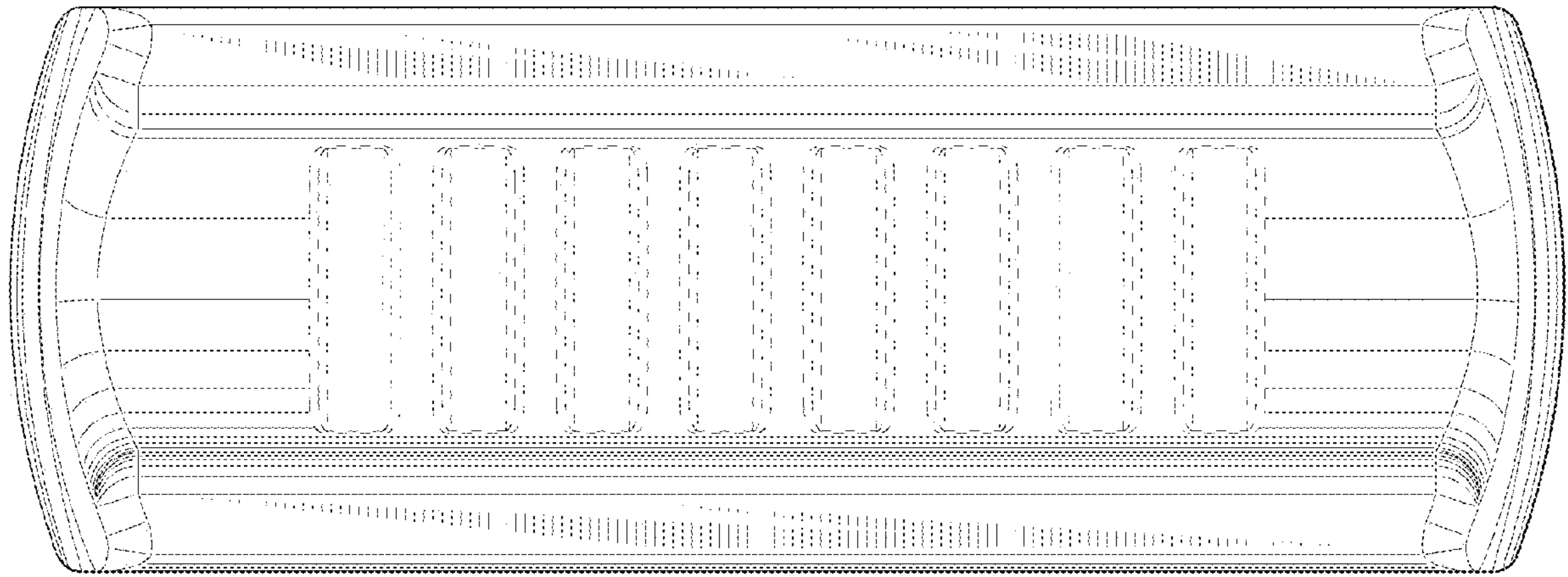
**FIG. 1**



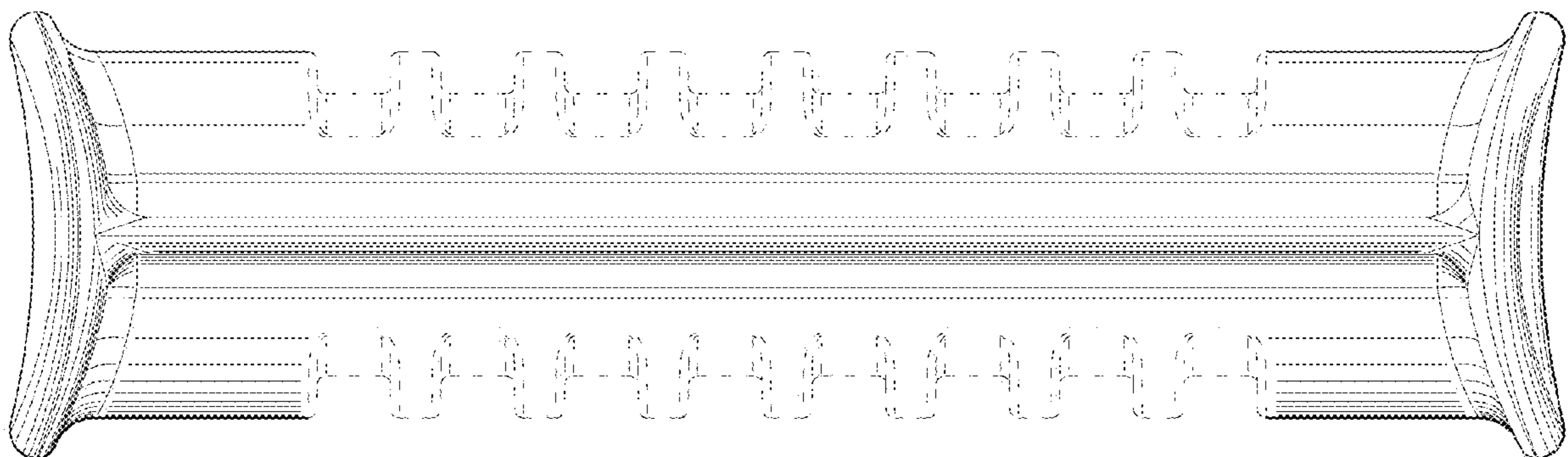
**FIG. 2**



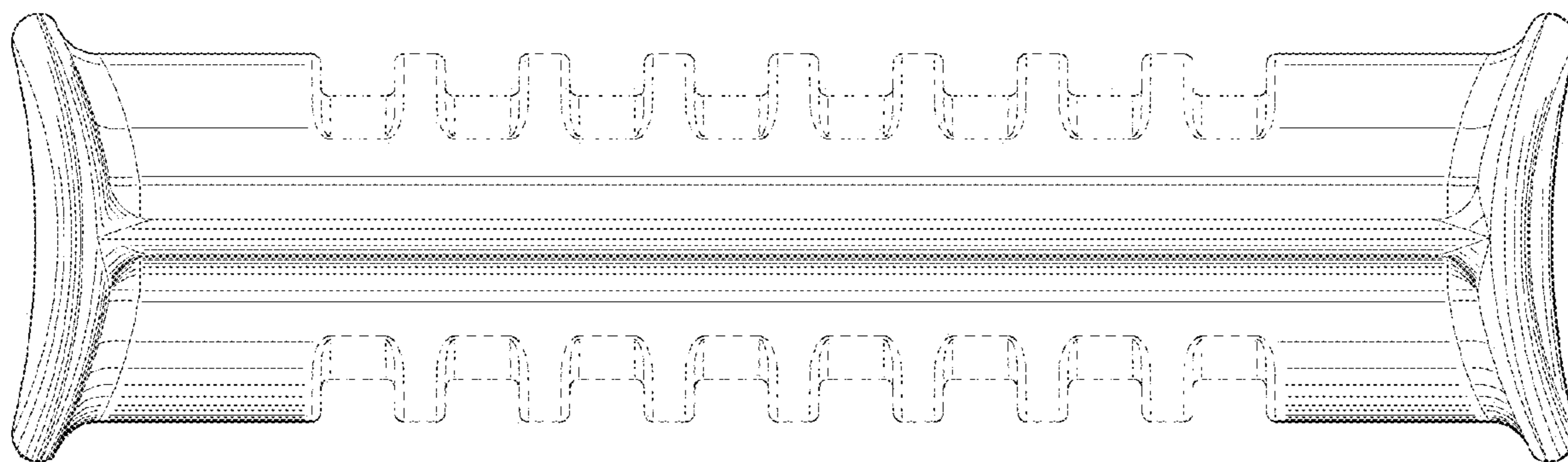
**FIG. 3**



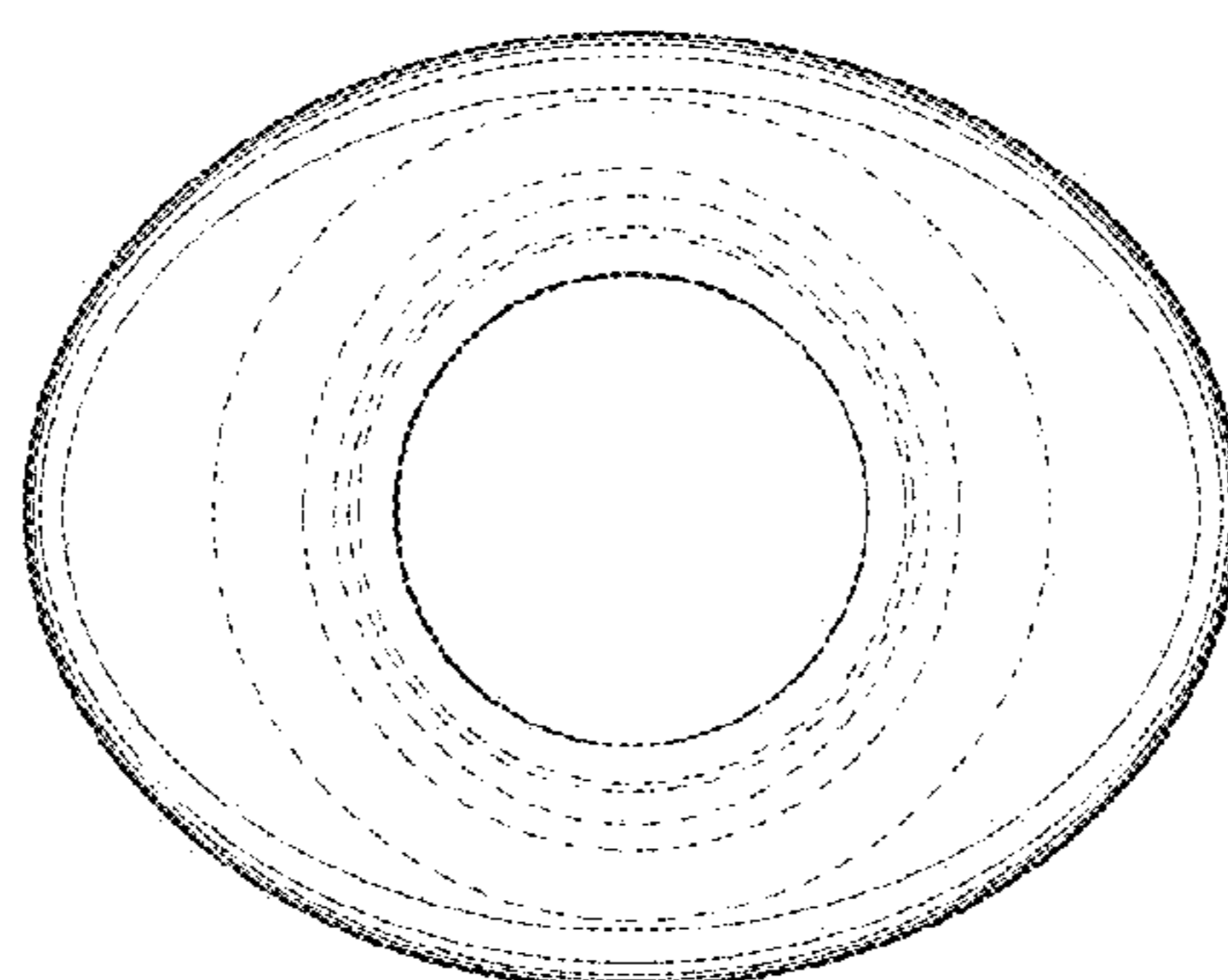
**FIG. 4**



**FIG. 5**



**FIG. 6**



**FIG. 7**

