



US00D903110S

(12) **United States Design Patent** (10) **Patent No.:** **US D903,110 S**
Bhosale et al. (45) **Date of Patent:** **** Nov. 24, 2020**

(54) **GEL APPLICATOR FOR MAGNETIC RESONANCE IMAGING**

7,022,103 B2 4/2006 Cappiello et al.
7,270,653 B2 9/2007 Abbott et al.
7,465,295 B2 12/2008 Bergeron et al.
D618,347 S * 6/2010 Bradshaw D24/108
(Continued)

(71) Applicant: **Board of Regents, The University of Texas System, Austin, TX (US)**

FOREIGN PATENT DOCUMENTS

(72) Inventors: **Priya Bhosale, Houston, TX (US);
Sujaya H. Rao, Houston, TX (US);
Samer Harmoush, Houston, TX (US)**

CN 203609703 5/2014
CN 103893852 7/2014

(73) Assignee: **Board of Regents, The University of Texas System, Austin, TX (US)**

OTHER PUBLICATIONS

(**) Term: **15 Years**

Omar et al., "Universal vaginal applicator for the uniform distribution of vaginal gel and cream formulations: a magnetic resonance imaging study," *J Obstet Gynaecol Can.*, 36(1):42-50, 2014.

(21) Appl. No.: **29/676,280**

Primary Examiner — David G Muller

(22) Filed: **Jan. 9, 2019**

(74) *Attorney, Agent, or Firm* — Parker Highlander PLLC

(51) **LOC (12) Cl.** **24-02**

(52) **U.S. Cl.**
USPC **D24/114**

(57) **CLAIM**

(58) **Field of Classification Search**
USPC D24/112-114, 108, 133, 130, 127, 186;
606/181, 185; 604/264, 272, 187, 181,
604/184, 227

We claim an ornamental design for a gel applicator for magnetic resonance imaging, as shown and described.

CPC A61M 5/178; A61M 3/00; A61M 5/20;
A61M 5/31; A61M 5/3146; A61M
5/3129; A61M 5/3148

DESCRIPTION

See application file for complete search history.

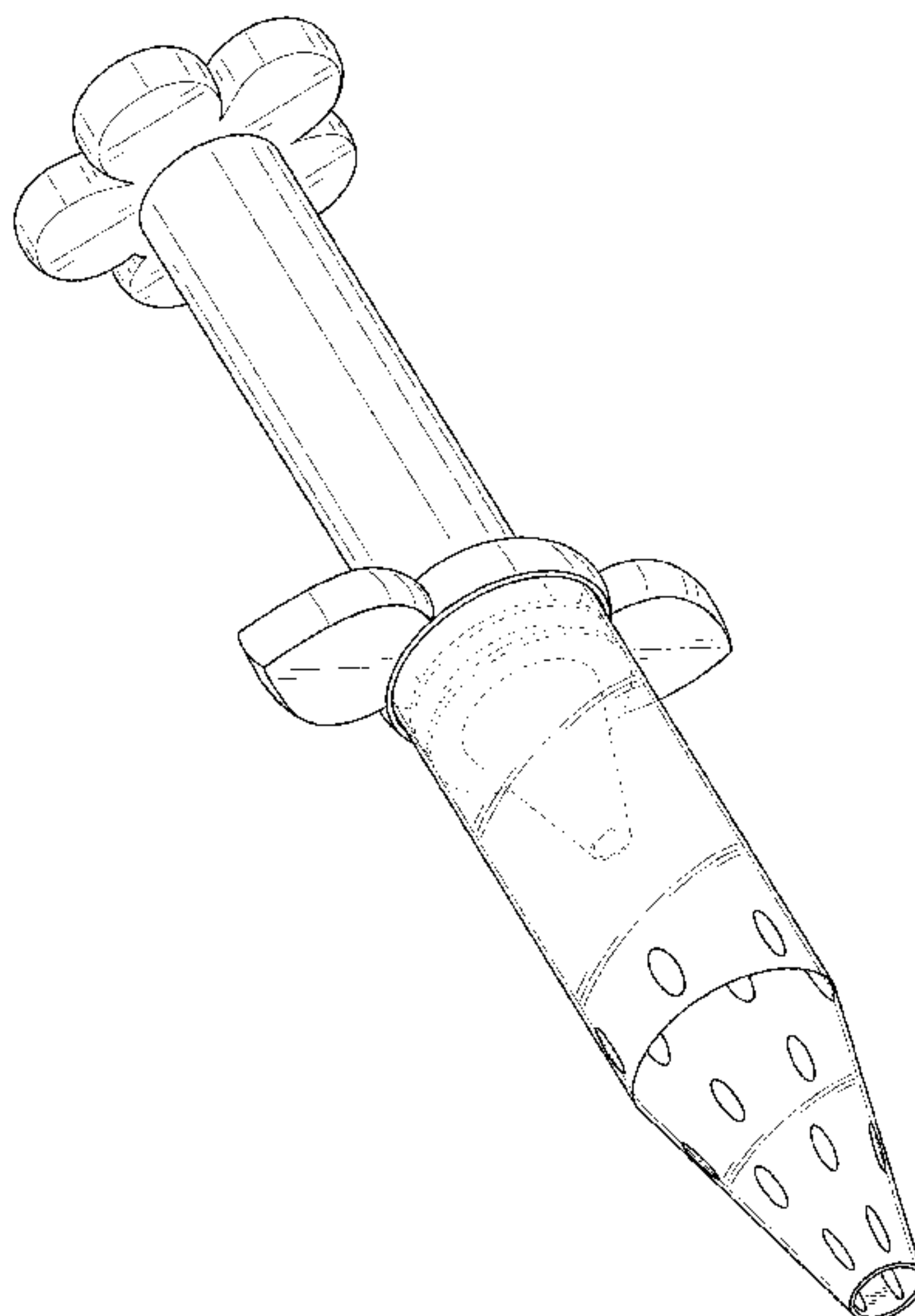
FIG. 1 is a front perspective view of the gel applicator for magnetic resonance imaging in accordance with an embodiment of the present design;
FIG. 2 is a top plan view of the gel applicator for magnetic resonance imaging of FIG. 1;
FIG. 3 is a side plan view of the gel applicator for magnetic resonance imaging of FIG. 1;
FIG. 4 is a rear elevation view of the gel applicator for magnetic resonance imaging of FIG. 1; and,
FIG. 5 is a front elevation view of the gel applicator for magnetic resonance imaging of FIG. 1.
In FIGS. 1-5, the features of the gel applicator for magnetic resonance imaging shown in phantom lines are for illustrative purposes only and do not constitute a part of the claimed design.

(56) **References Cited**

U.S. PATENT DOCUMENTS

3,154,075 A 10/1964 Weckesser
5,364,375 A 11/1994 Swor
D435,102 S * 12/2000 Chakoff D24/113
6,190,365 B1 2/2001 Abbott et al.
D446,578 S * 8/2001 Jansen D24/110
D448,475 S * 9/2001 Jansen D24/110
6,423,038 B1 7/2002 Vancaillie
D463,546 S * 9/2002 Jansen D24/110
6,447,490 B1 9/2002 Liu et al.
D465,279 S * 11/2002 Etter D24/133

1 Claim, 3 Drawing Sheets



(56)

References Cited

U.S. PATENT DOCUMENTS

D673,677	S *	1/2013	Noda	D24/114
D694,638	S *	12/2013	Baker	D24/114
8,603,029	B2	12/2013	Macy, Jr.	
D698,918	S *	2/2014	Leiner	D24/114
D699,342	S *	2/2014	Suzuki	D24/114
9,566,388	B1 *	2/2017	Jones	A61M 5/178
D830,543	S *	10/2018	Walker	D24/114
D836,772	S *	12/2018	Nandi	D24/114
2011/0087172	A1	4/2011	Gunderson	

* cited by examiner

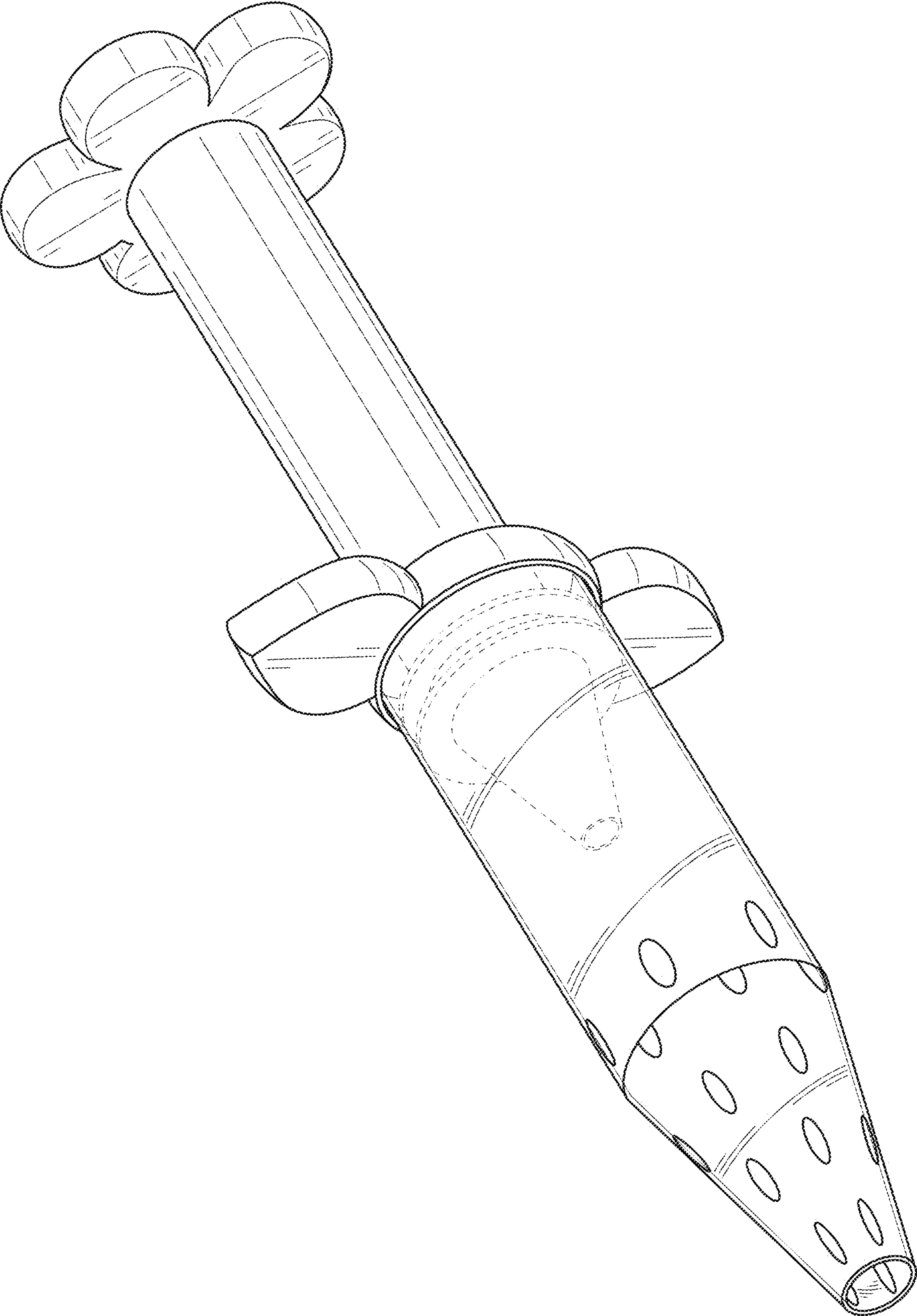


FIG. 1

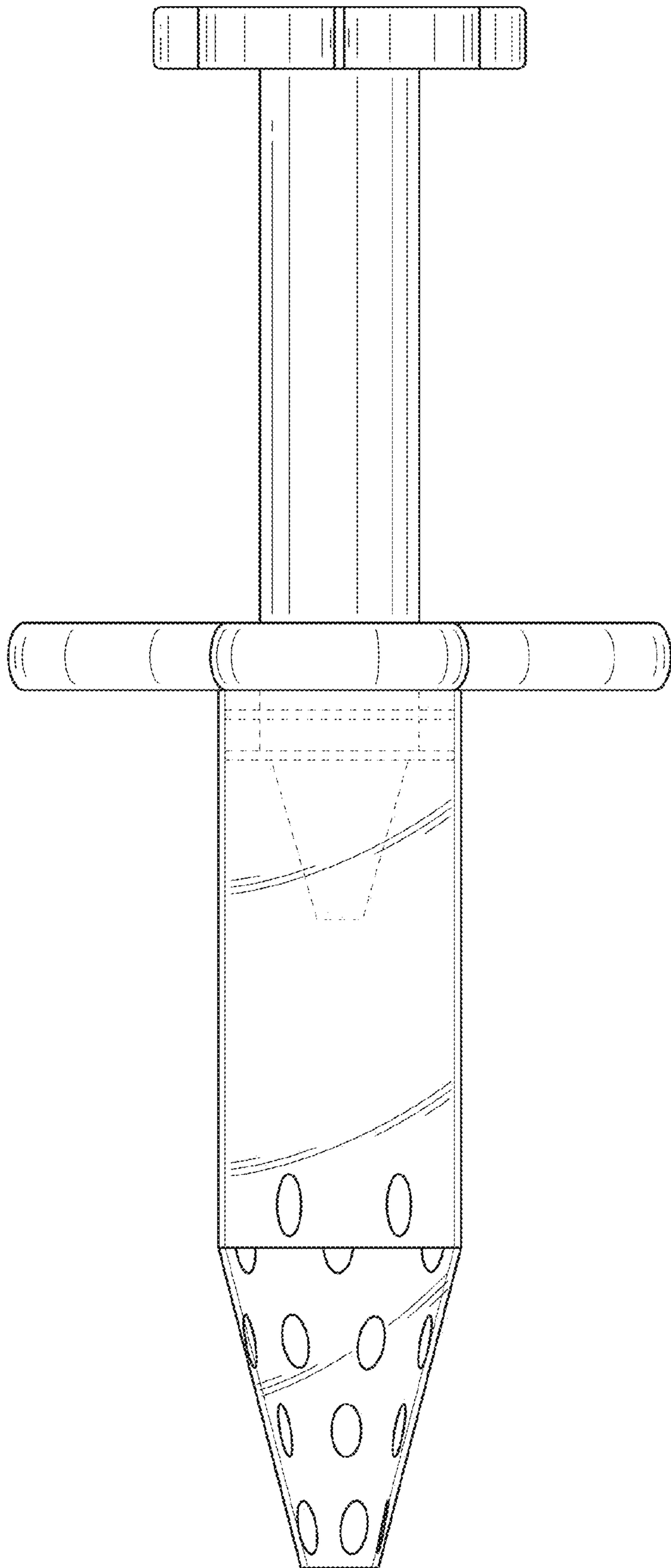


FIG. 2

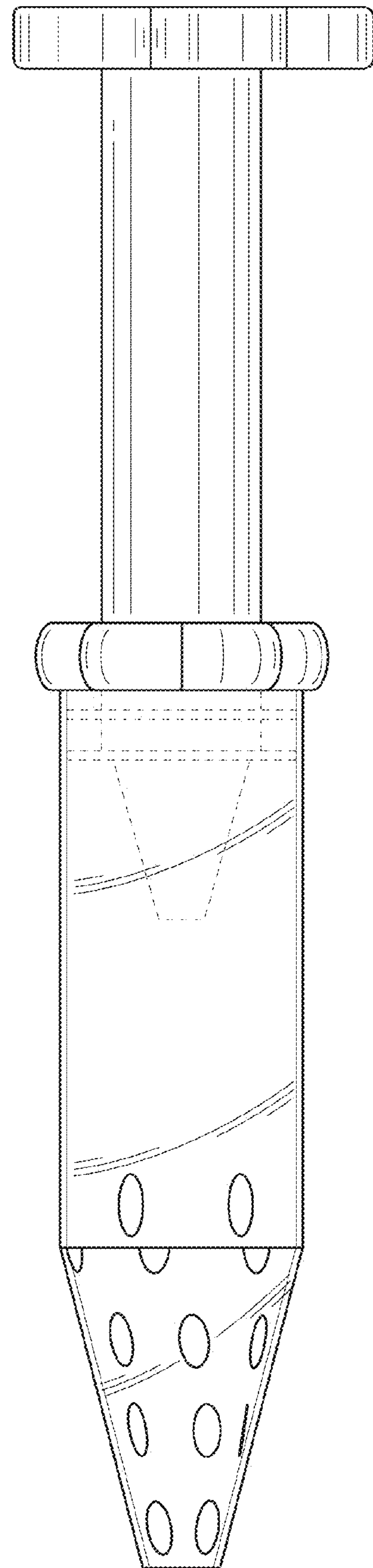


FIG. 3

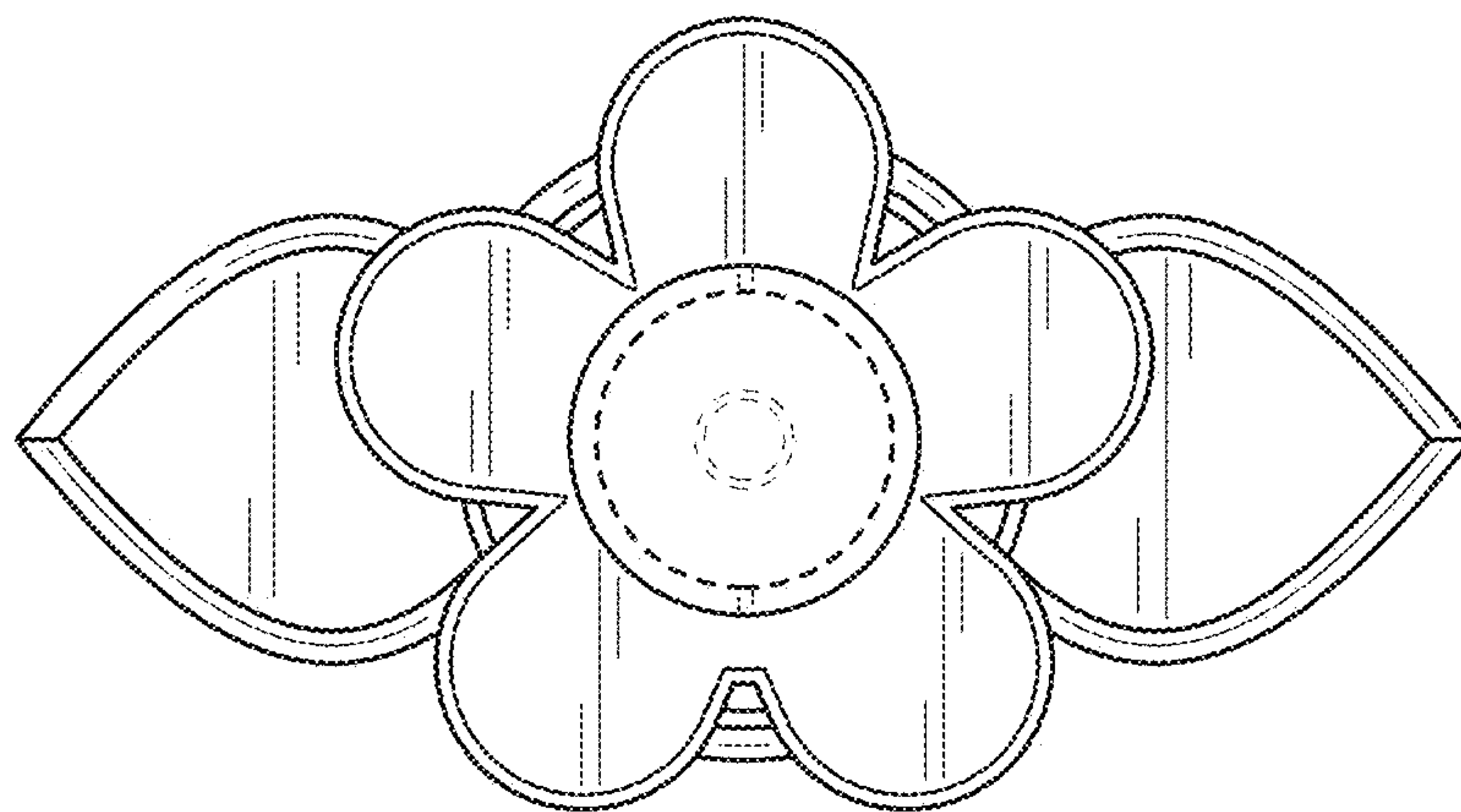


FIG. 4

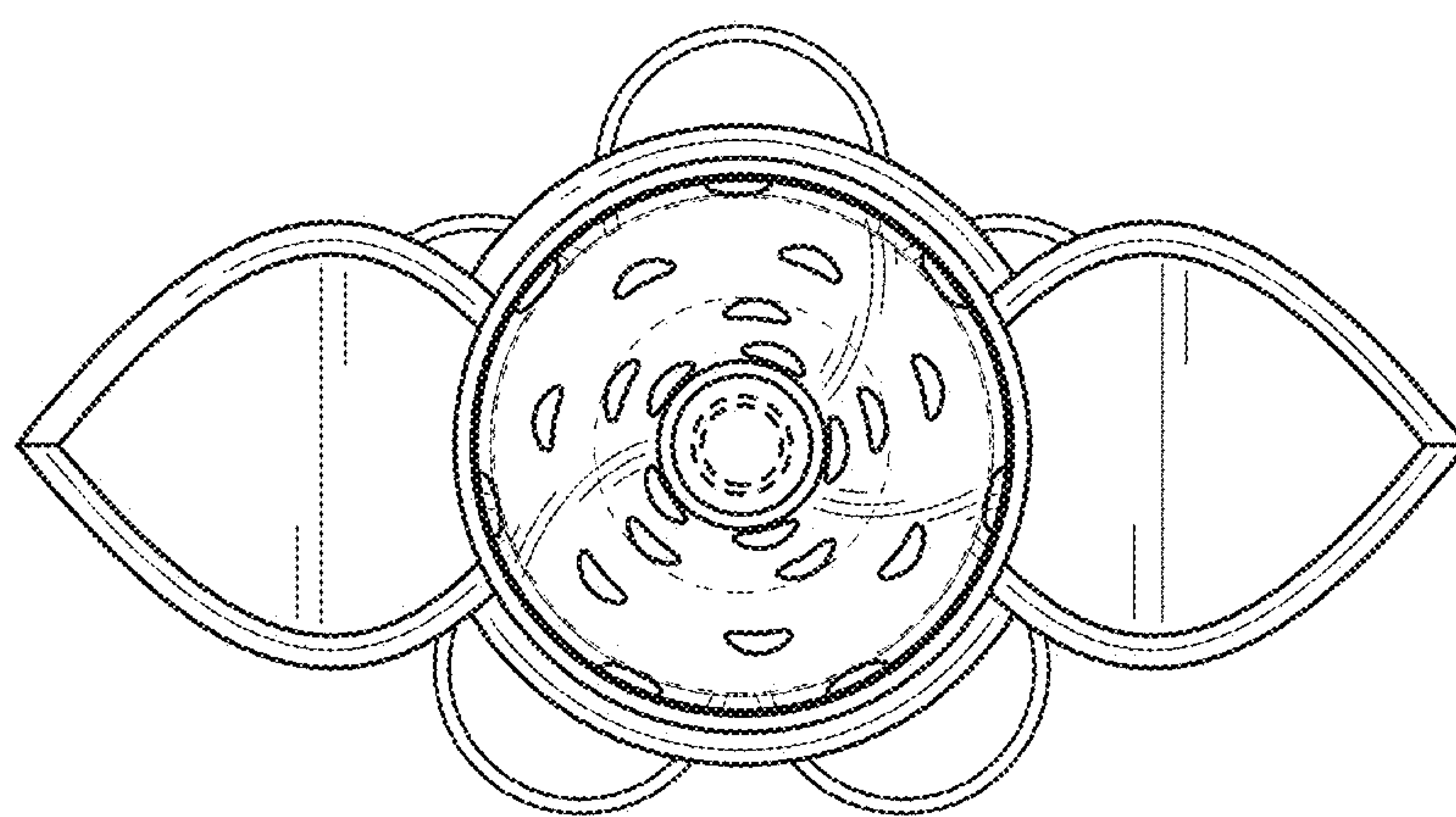


FIG. 5