



US00D903109S

(12) **United States Design Patent** (10) **Patent No.:** **US D903,109 S**
Wildenhahn (45) **Date of Patent:** **** Nov. 24, 2020**

(54) **AUTO INJECTOR**
(71) Applicant: **F. HOFFMANN-LA ROCHE AG,**
Basel (CH)
(72) Inventor: **Florian Wildenhahn,** Rheinfelden (DE)
(73) Assignee: **F. Hoffmann-La Roche AG,** Basel
(CH)

(**) Term: **15 Years**
(21) Appl. No.: **35/505,321**
(22) Filed: **Oct. 5, 2017**

(80) **Hague Agreement Data**
Int. Filing Date: **Oct. 5, 2017**
Int. Reg. No.: **DM/101938**
Int. Reg. Date: **Oct. 5, 2017**
Int. Reg. Pub. Date: **Jul. 20, 2018**

(30) **Foreign Application Priority Data**
Apr. 6, 2017 (CH) 143195
(51) **LOC (12) Cl.** **24-02**
(52) **U.S. Cl.**
USPC **D24/113**
(58) **Field of Classification Search**
USPC D24/133, 137, 138, 127, 112, 108, 144,
D24/146, 147
CPC A61M 5/20
See application file for complete search history.

(56) **References Cited**
U.S. PATENT DOCUMENTS
D492,405 S * 6/2004 Bainton D19/167
D612,486 S * 3/2010 Van der Stappen D24/113
D619,244 S * 7/2010 Van der Stappen D24/113
D620,106 S * 7/2010 Van der Stappen D24/113

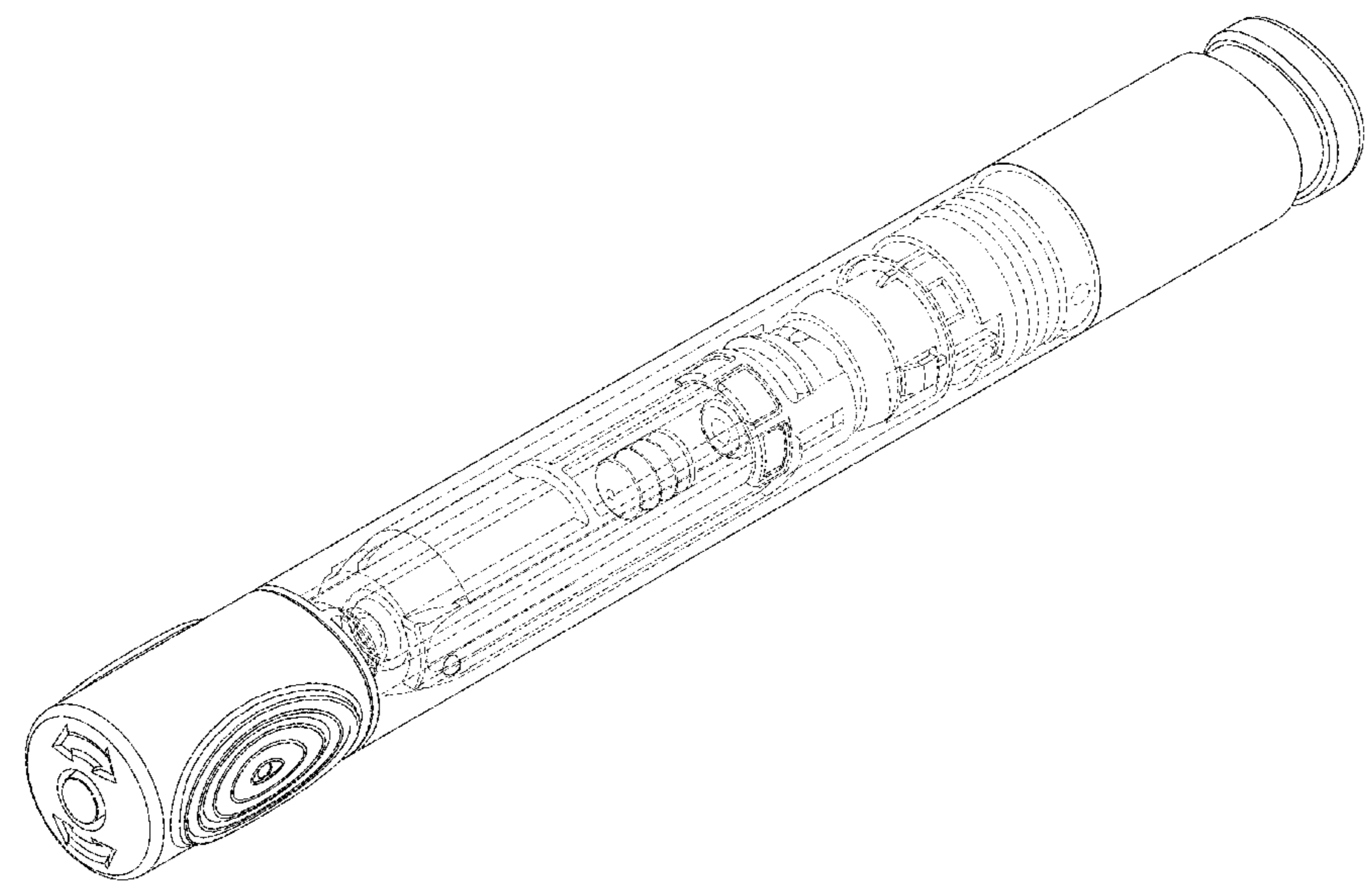
D621,929 S * 8/2010 Van der Stappen D24/130
D627,061 S * 11/2010 Van der Stappen D24/113
D648,024 S * 11/2011 Harkin D24/146
D696,774 S * 12/2013 Guarraia D24/113
D696,775 S * 12/2013 Guarraia D24/113
D708,317 S * 7/2014 Schneider D24/113
D758,567 S * 6/2016 Wohlfahrt D24/113
D758,569 S * 6/2016 Wohlfahrt D24/113

* cited by examiner
Primary Examiner — Eliza Z Bennett-Hattan
(74) *Attorney, Agent, or Firm* — IP Attorneys Group,
LLC

(57) **CLAIM**
The ornamental design for an auto injector, as shown and
described.

DESCRIPTION
Fig. 1.1 is a translucent front view of an auto injector in
accordance with my new design;
Fig. 1.2 is another front view thereof;
Fig. 1.3 is a bottom view thereof;
Fig. 1.4 is a side view thereof;
Fig. 1.5 is a top view thereof;
Fig. 1.6 is a bottom perspective view thereof; and
Fig. 1.7 is a top perspective view thereof.
The dashed lines show the medication and mechanism for
injection of the medication seen through the transparent or
translucent main body and form no part of the claim.

1 Claim, 7 Drawing Sheets



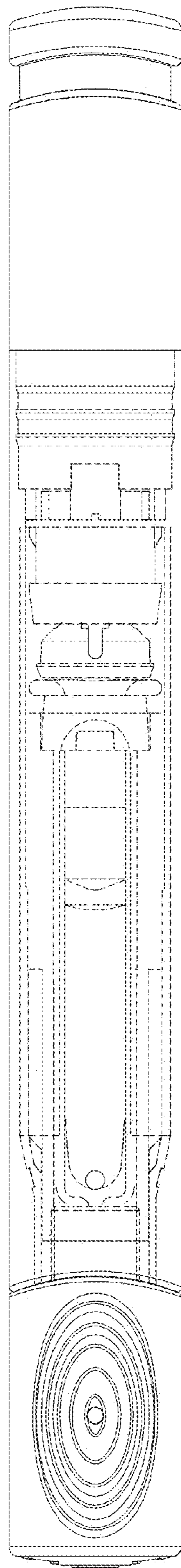


Fig. 1.1

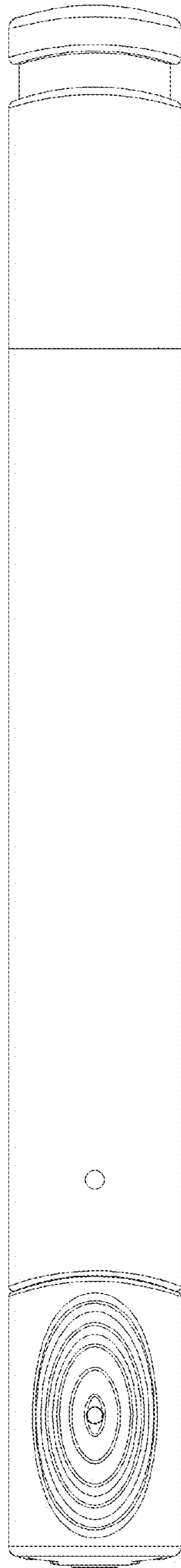


Fig. 1.2

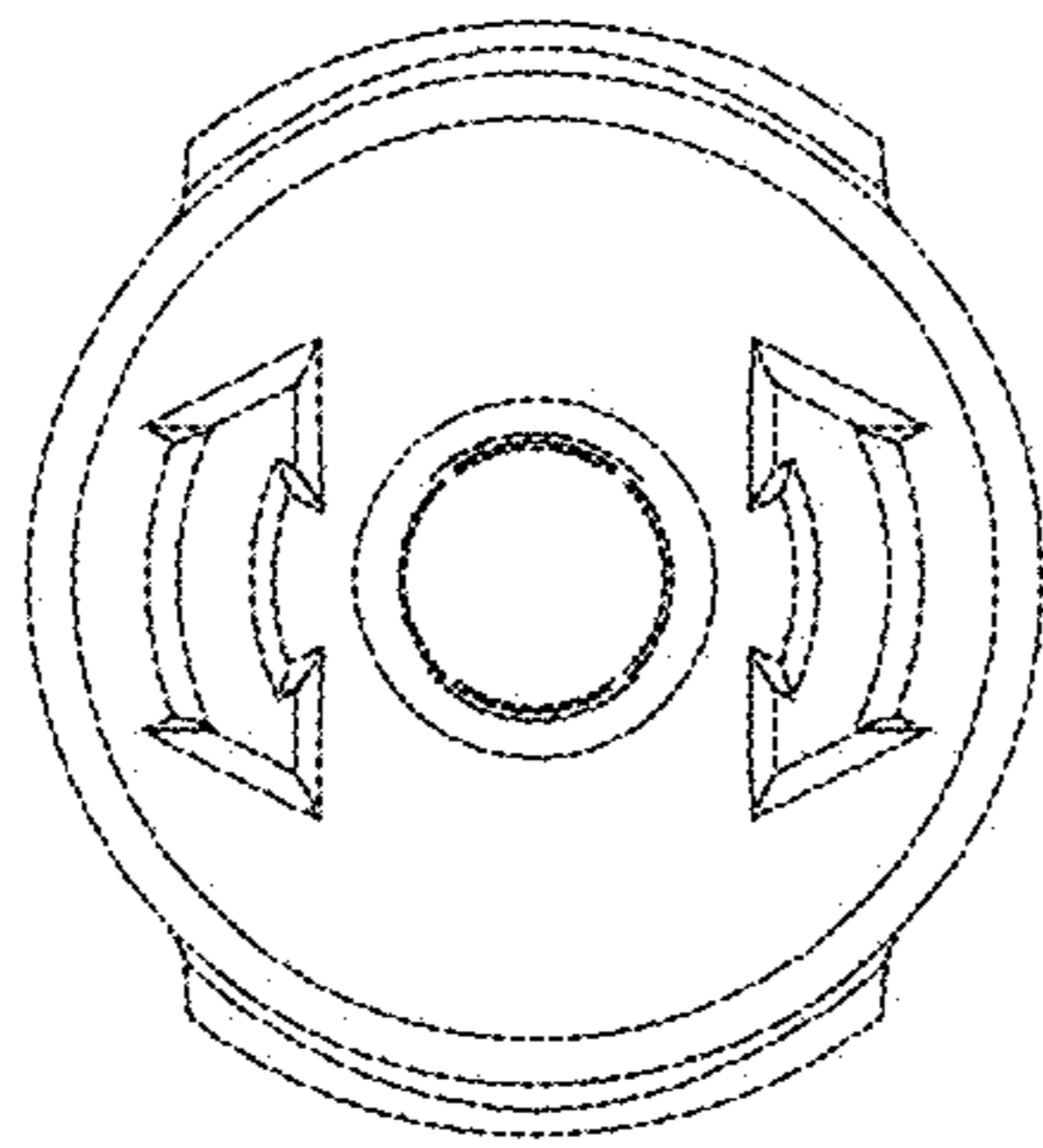


Fig. 1.3

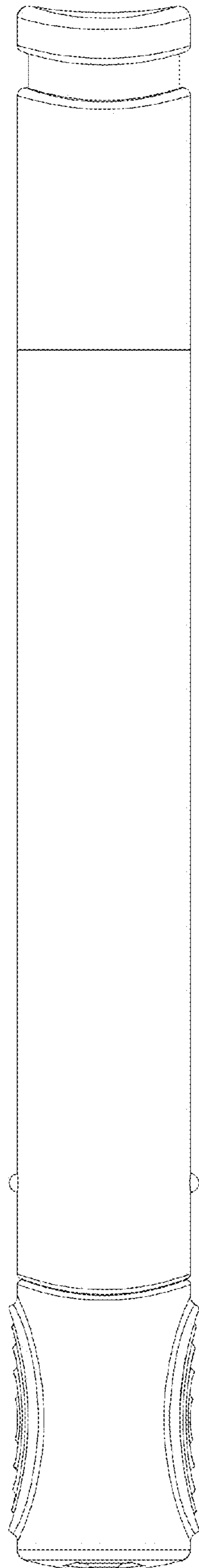


Fig. 1.4

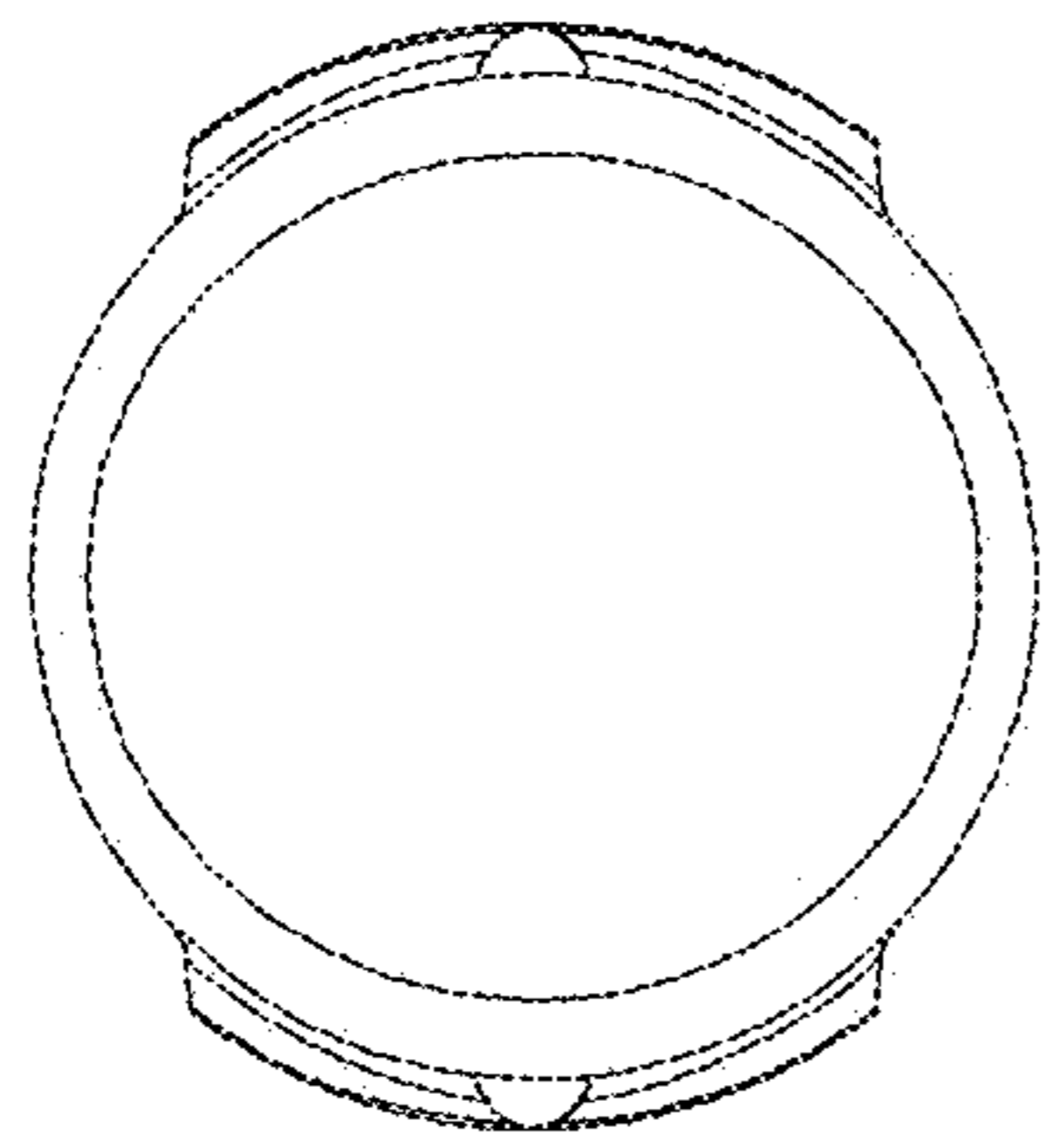


Fig. 1.5

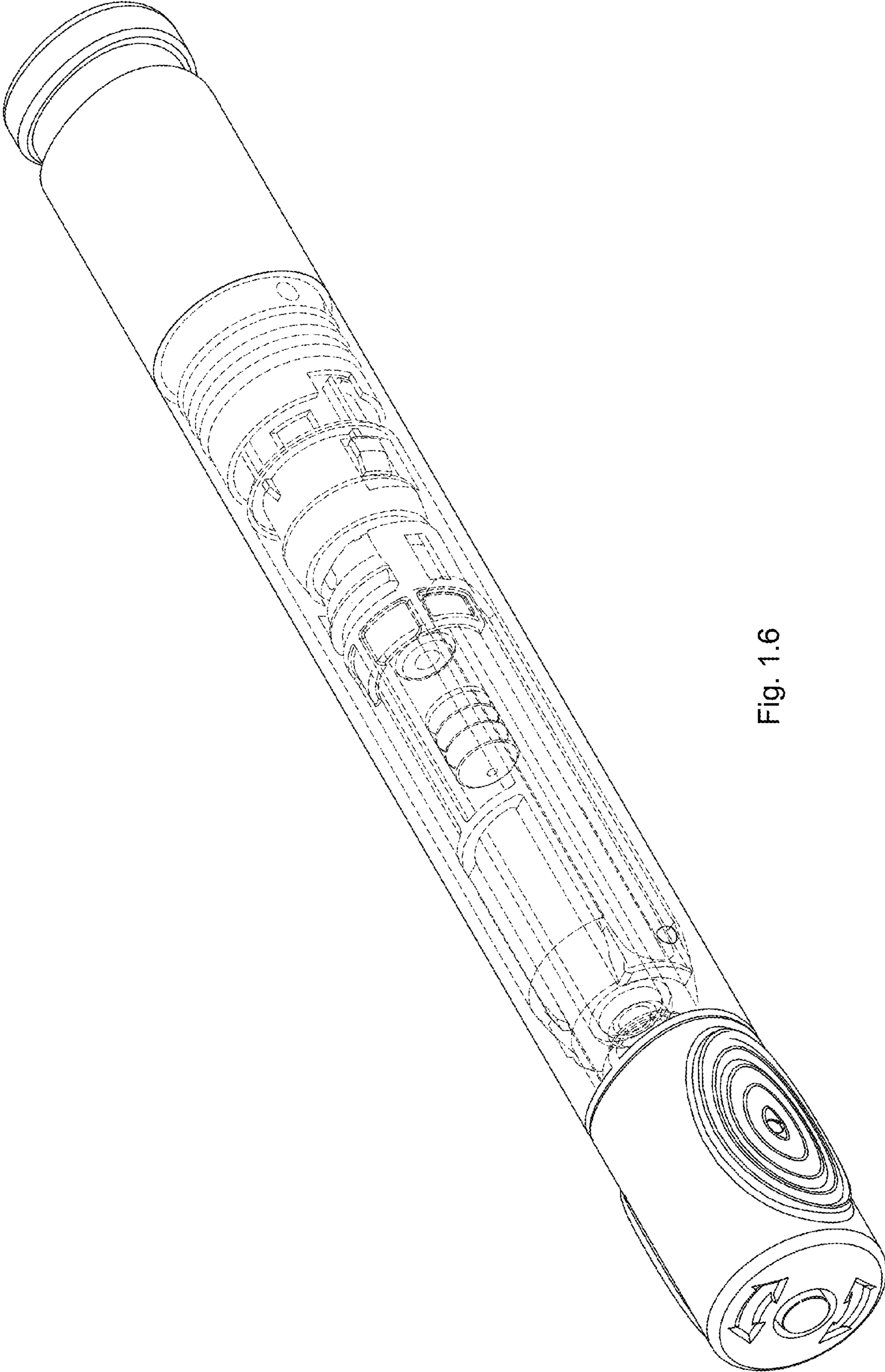


Fig. 1.6

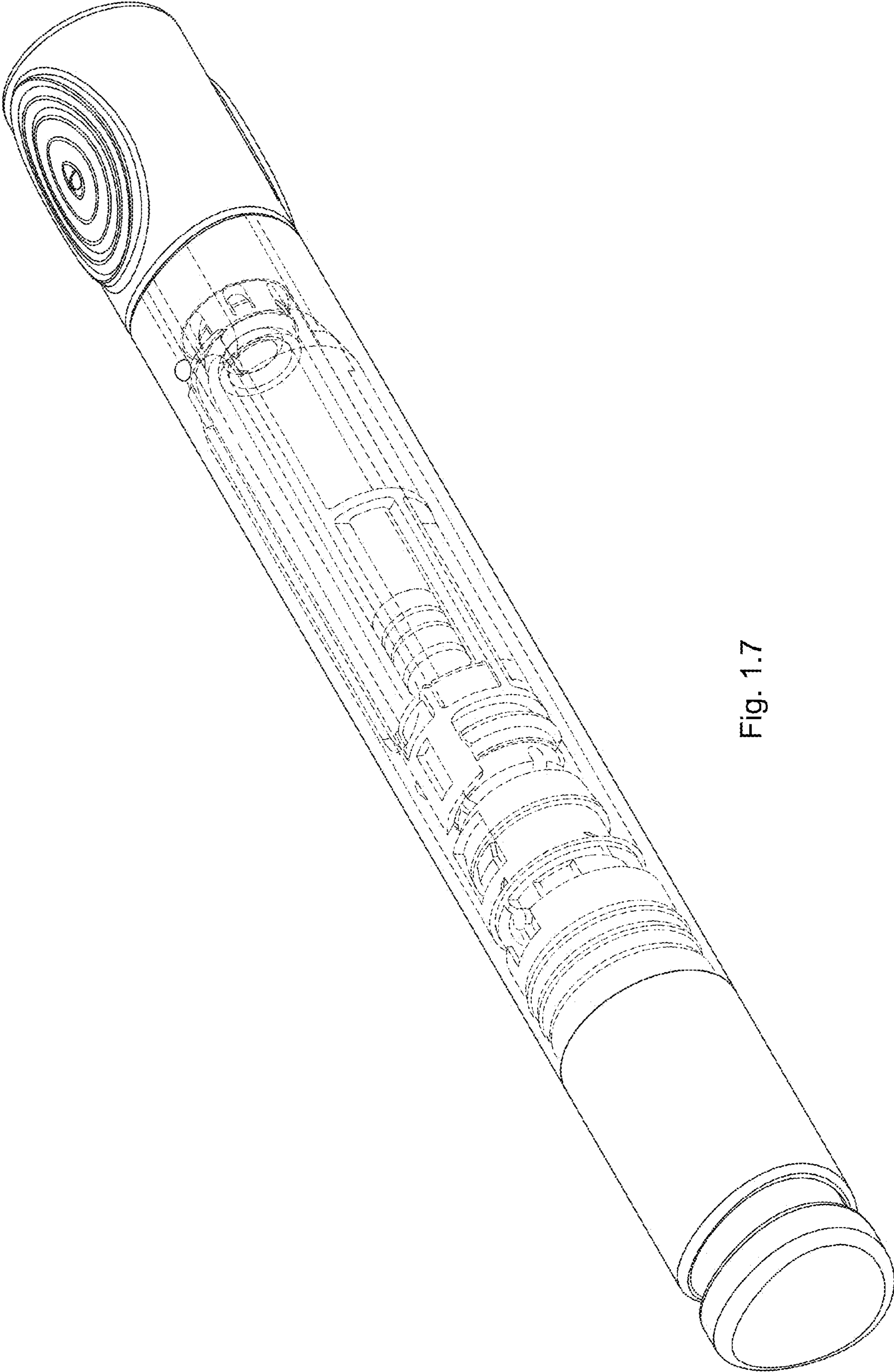


Fig. 1.7