



US00D903105S

(12) **United States Design Patent** (10) **Patent No.:** **US D903,105 S**
Brown et al. (45) **Date of Patent:** **** Nov. 24, 2020**

(54) **COMPONENT FOR A DRUG DELIVERY DEVICE**

D581,279 S * 11/2008 Oates D28/76
D606,401 S * 12/2009 Kamath D9/453
D628,077 S * 11/2010 Lee D9/439

(Continued)

(71) Applicant: **Eli Lilly and Company**, Indianapolis, IN (US)

FOREIGN PATENT DOCUMENTS

(72) Inventors: **Rodney Alan Brown**, Yorktown, IN (US); **Paolo Degan**, Ranica (IT); **Kathryn Amanda Levy**, Indianapolis, IN (US)

WO 2016131713 8/2016
WO 2016142727 9/2016

(Continued)

(73) Assignee: **Eli Lilly and Company**, Indianapolis, IN (US)

OTHER PUBLICATIONS

(**) Term: **15 Years**

Design U.S. Appl. No. 29/661,604, filed Aug. 29, 2018 entitled "Component for a Drug Delivery Device" consisting of a 4-page Specification and 16 pages of Figures.

(Continued)

(21) Appl. No.: **29/661,609**

Primary Examiner — David G Muller

(22) Filed: **Aug. 29, 2018**

(74) *Attorney, Agent, or Firm* — M Daniel Spillman

(51) **LOC (12) Cl.** **24-02**

(52) **U.S. Cl.**
USPC **D24/113**

(58) **Field of Classification Search**
USPC D24/112–114, 108, 130, 127, 133, 186;
606/181, 185; 604/264, 523–528, 272,
604/164.01–164.11, 187, 93.01; 600/101,
600/139, 143; 128/200.24, 207.14,
128/207.15; D9/772, 773, 774, 549, 556,
D9/452, 453

CPC .. A61M 25/065; A61M 5/42; A61M 25/0612;
A61M 25/00; A61M 39/00; A61M 27/00;
A61M 25/0043; A61M 25/0067; A61M
25/0097; A61F 2/958

See application file for complete search history.

(57) **CLAIM**

The ornamental design for a component for a drug delivery device, as shown and described.

DESCRIPTION

FIG. 1 is a front, top perspective view of a first embodiment of a component for a drug delivery device, showing the new design;

FIG. 2 is a front elevation view thereof;

FIG. 3 is a rear elevation view thereof;

FIG. 4 is a left side elevation view thereof;

FIG. 5 is a right side elevation view thereof;

FIG. 6 is a top plan view thereof;

FIG. 7 is a bottom plan view thereof; and,

FIG. 8 is a bottom perspective view thereof.

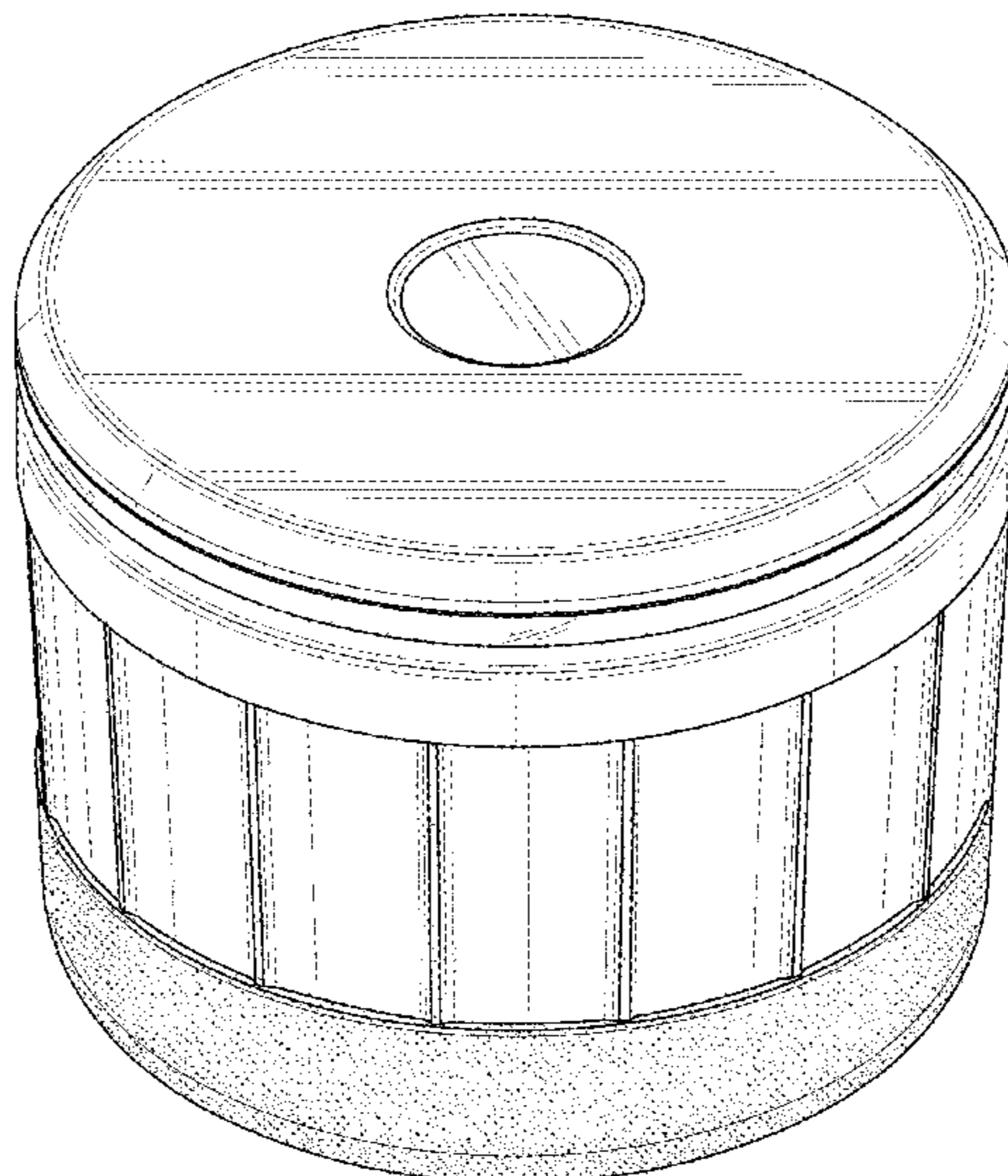
The broken lines of uneven length shown in the drawings illustrate the boundary of the claimed design and forms no part thereof. Contrast in materials is shown by line shading, stipple shading, and reflective shading in other areas.

(56) **References Cited**

U.S. PATENT DOCUMENTS

D480,007 S * 9/2003 Mungur D9/538
D496,101 S * 9/2004 Davison D24/112
D535,189 S * 1/2007 Pitman D9/452
D562,144 S * 2/2008 Lane D9/556

1 Claim, 8 Drawing Sheets



(56)

References Cited

U.S. PATENT DOCUMENTS

D662,827	S	*	7/2012	Watabe	D9/453
D675,526	S	*	2/2013	Obrist	D9/453
D732,162	S	*	6/2015	Fourt	D24/114
D797,929	S	*	9/2017	Davis	D24/130
D802,760	S	*	11/2017	Neby	D24/130
D853,240	S	*	7/2019	Steel	D9/500

FOREIGN PATENT DOCUMENTS

WO	2016193229	12/2016
WO	2016198516	12/2016
WO	2017032586	3/2017
WO	2018013419	1/2018
WO	2018160425	9/2018
WO	2019036576	2/2019
WO	2019040117	2/2019
WO	2019040118	2/2019
WO	2019040313	2/2019
WO	2019164955	8/2019

OTHER PUBLICATIONS

Design U.S. Appl. No. 29/661,620, filed Aug. 29, 2018 entitled "Component for a Drug Delivery Device" consisting of a 4-page Specification and 25 Pages of Figures.

Design U.S. Appl. No. 29/661,625, filed Aug. 29, 2018 entitled "Component for a Drug Delivery Device" consisting of a 3-page Specification and 5 Pages of Figures.

* cited by examiner

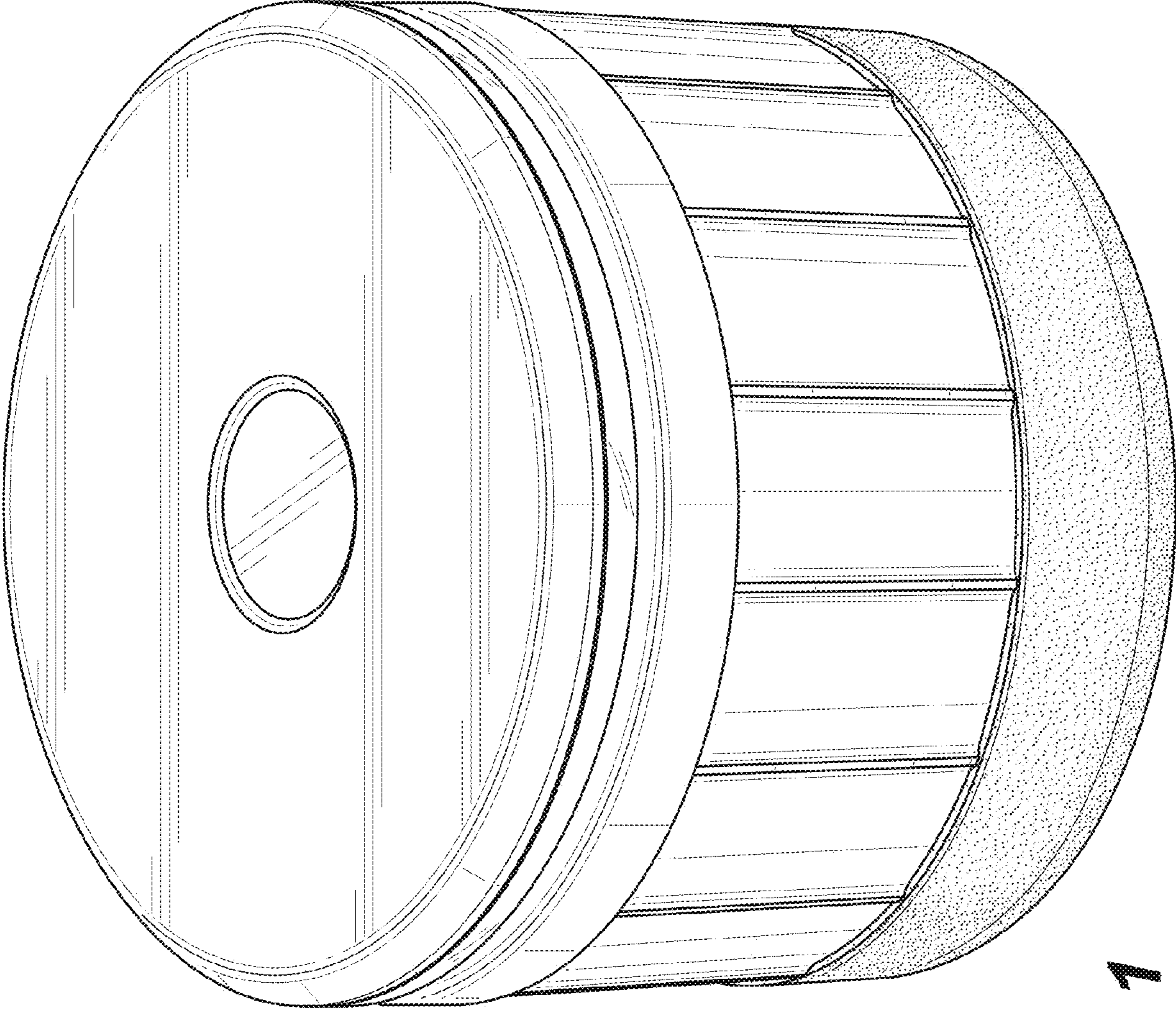


FIG. 1

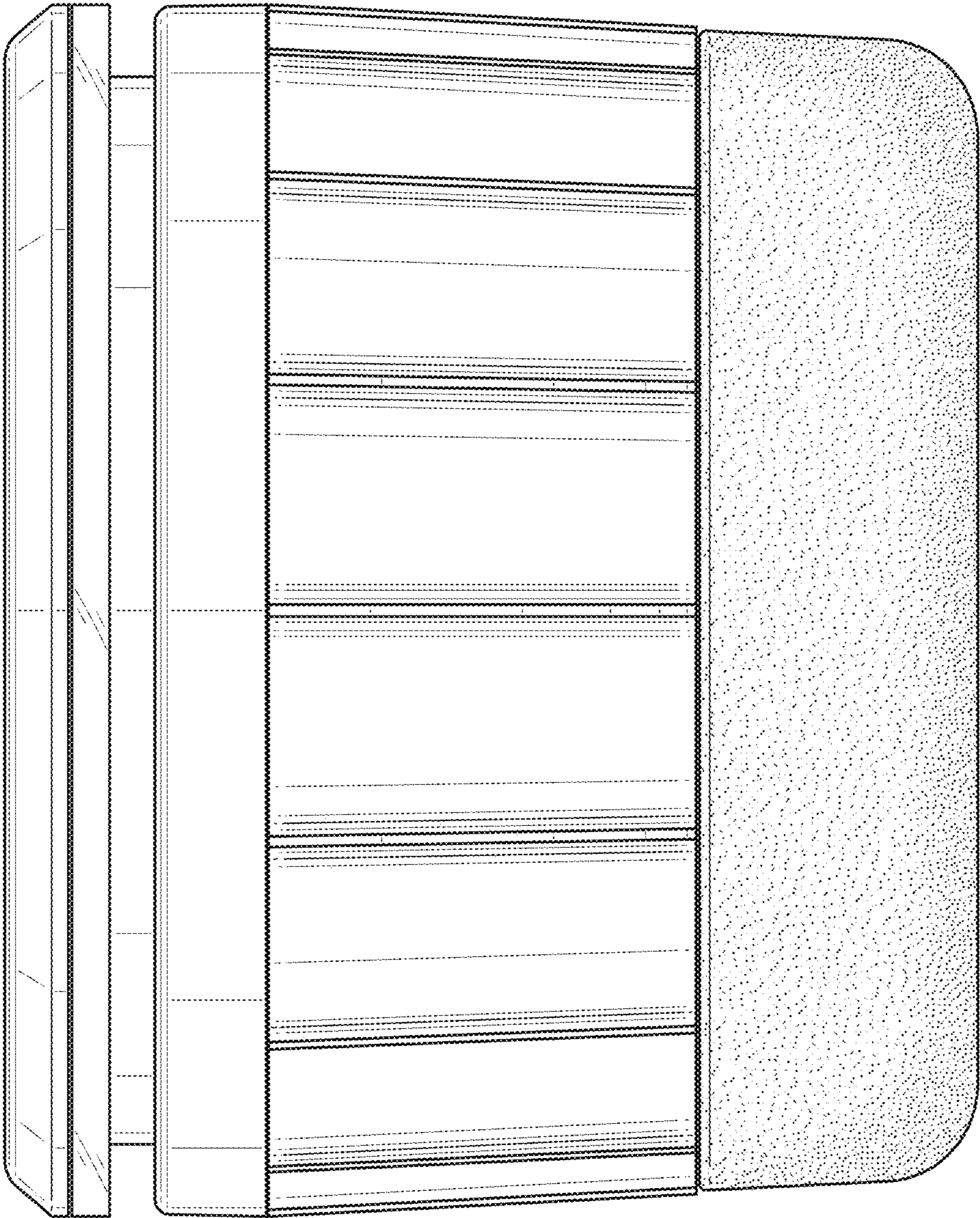


FIG. 2

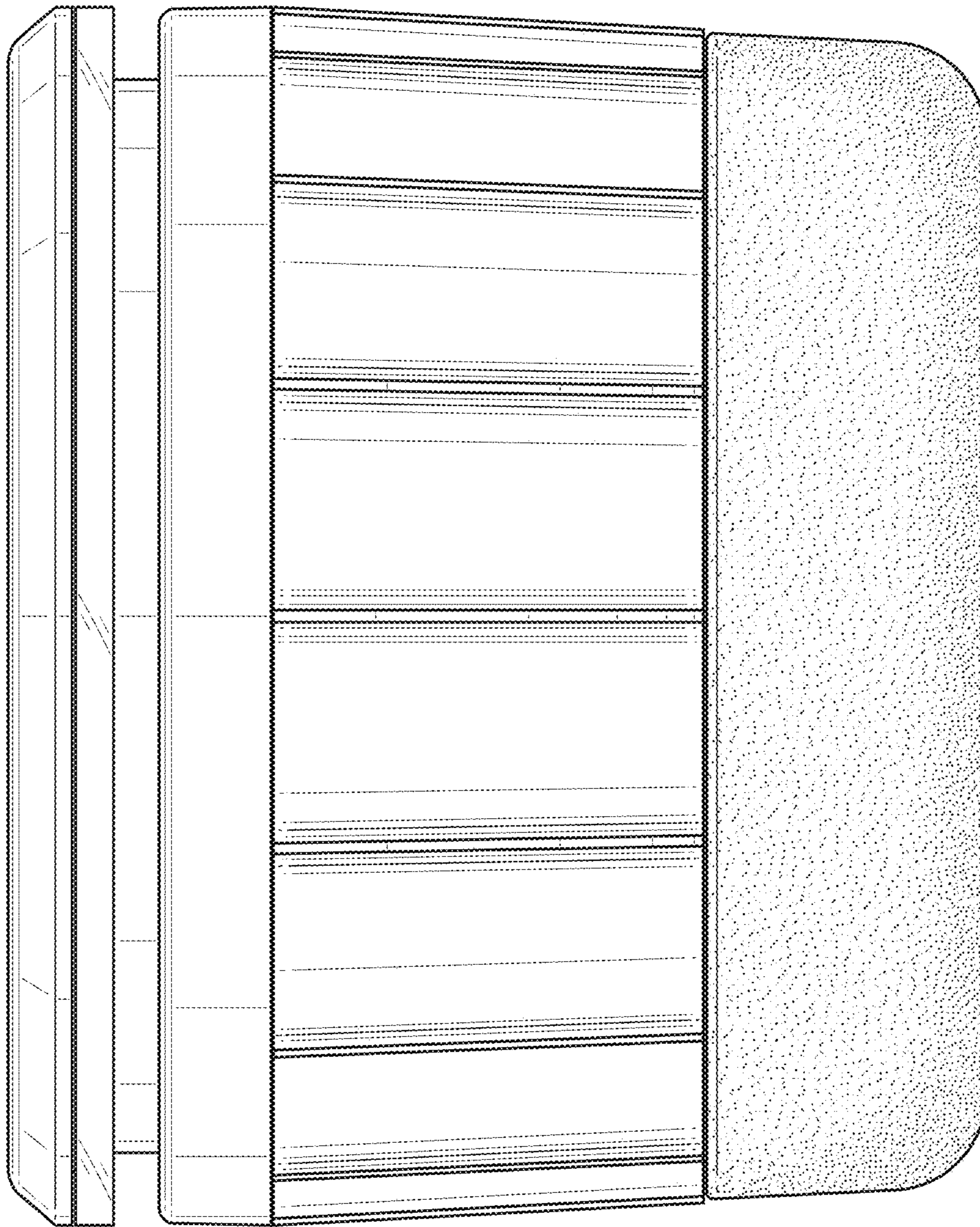


FIG. 3

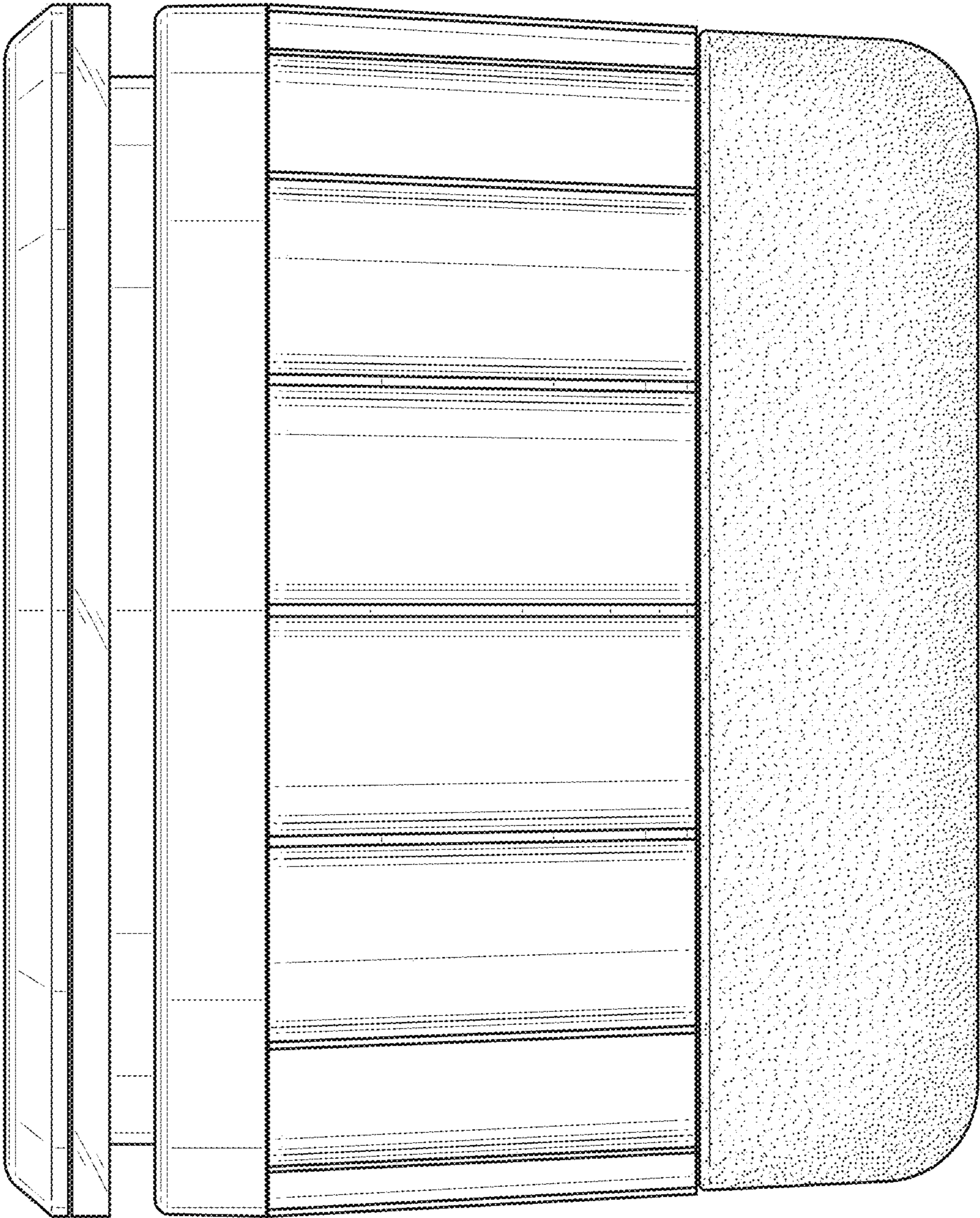


FIG. 4

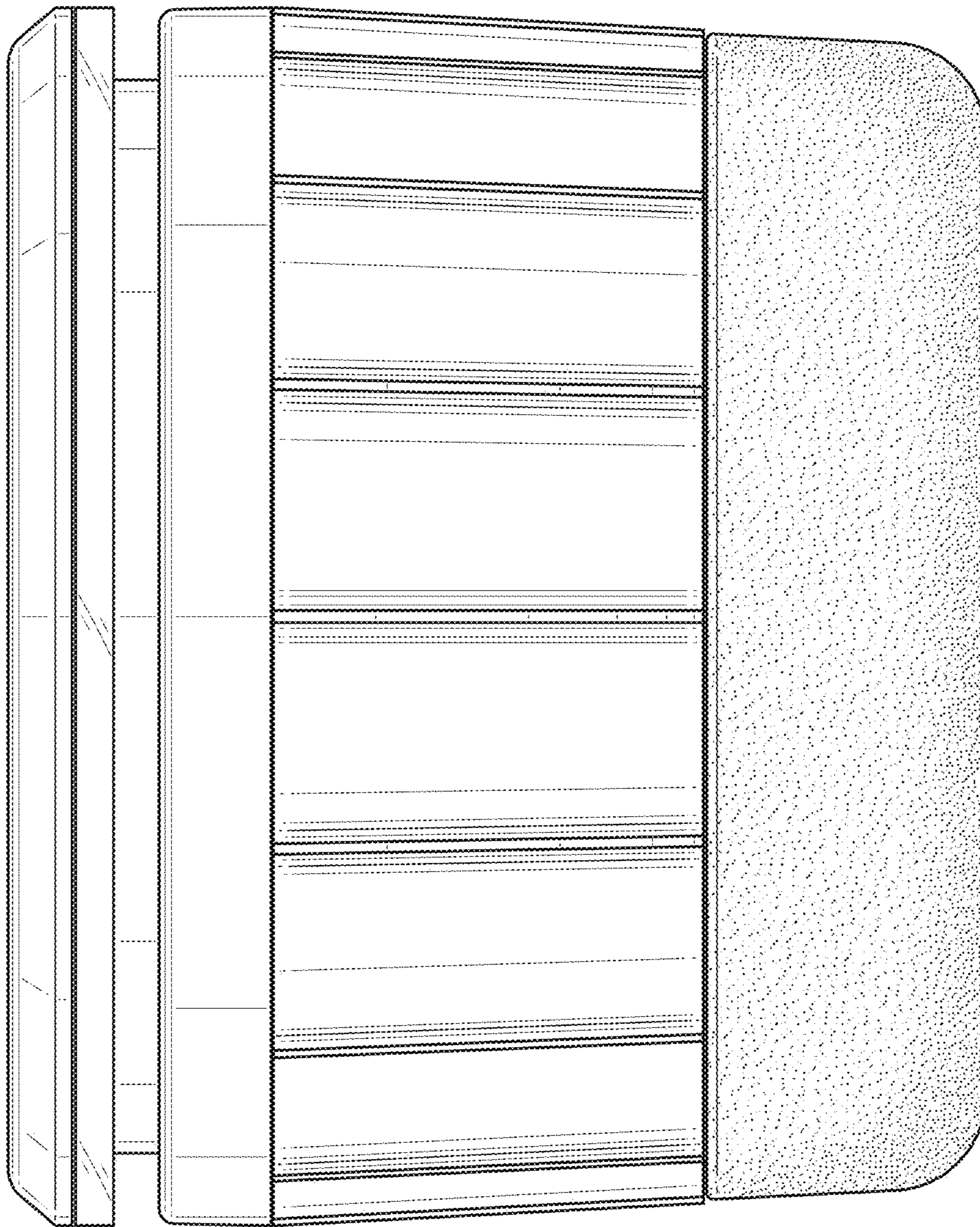


FIG. 5

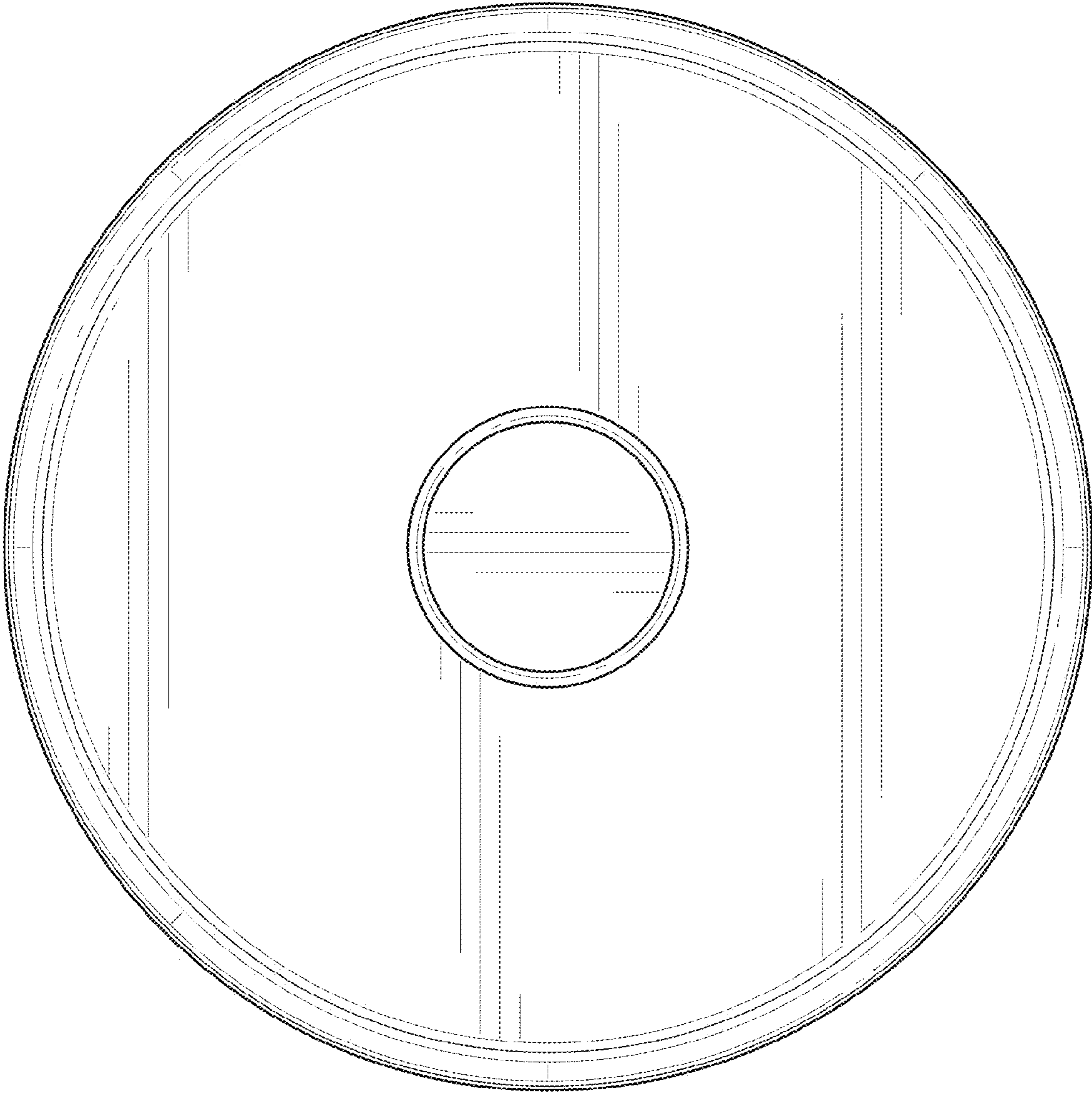


FIG. 6

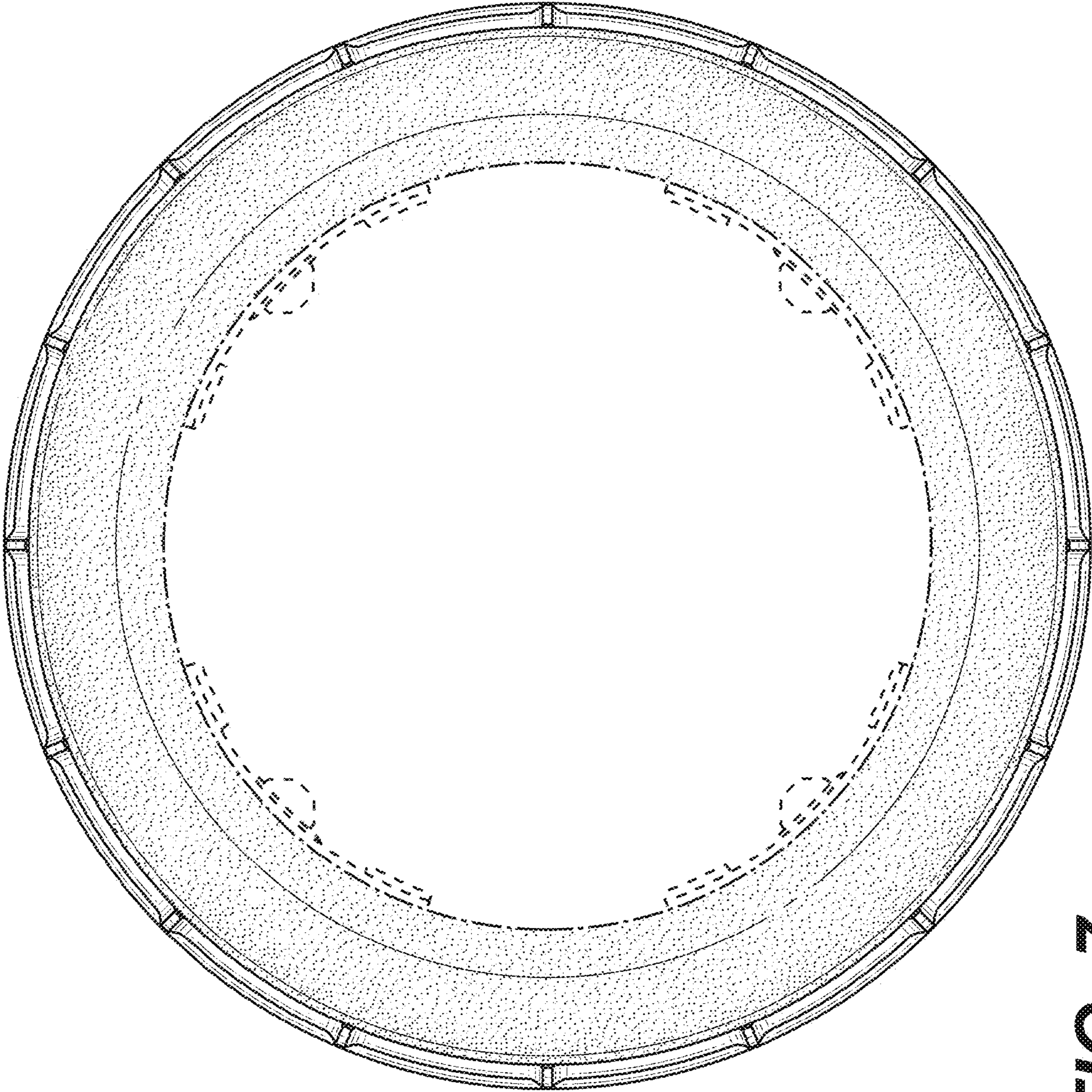


FIG. 7

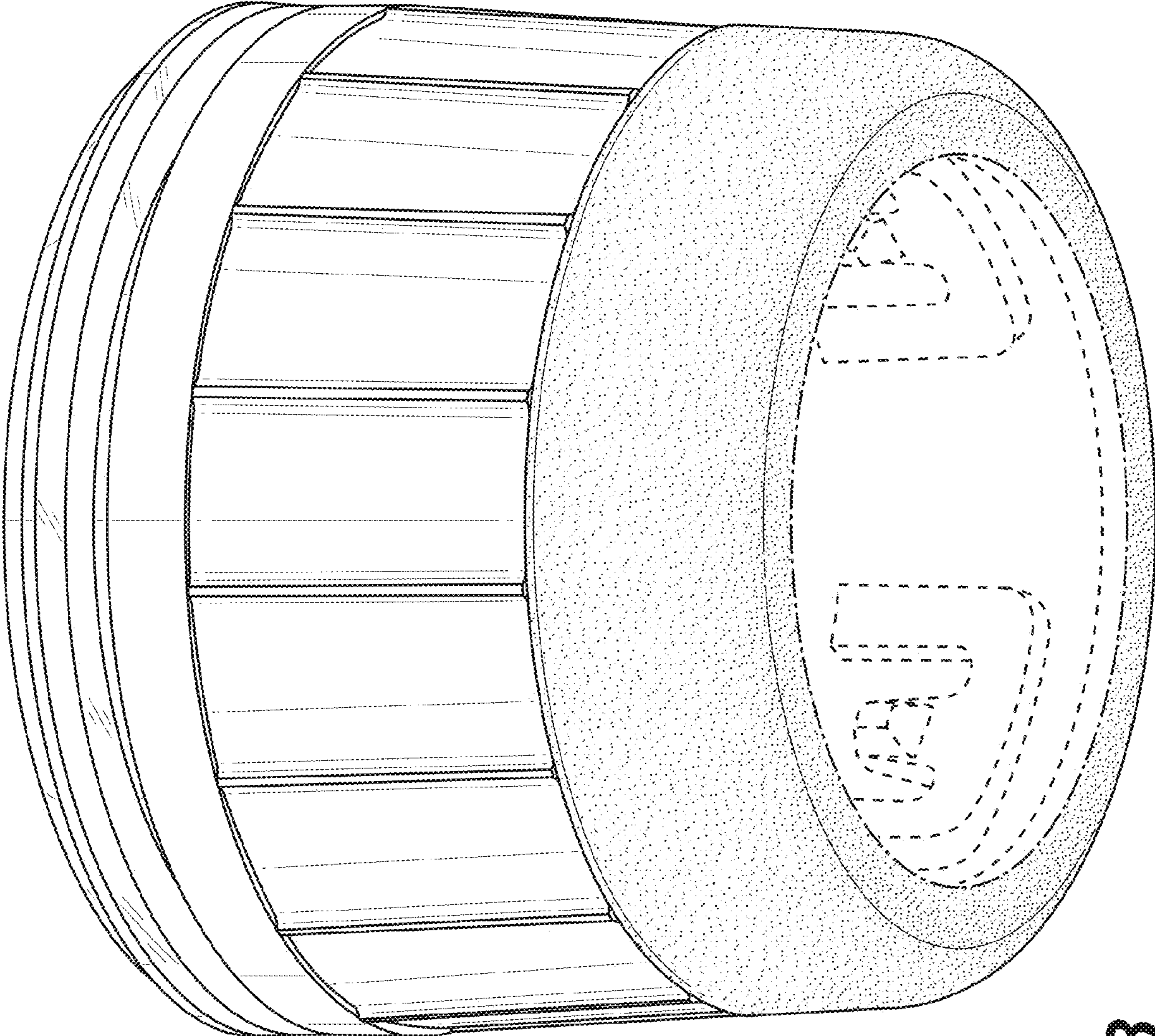


FIG. 8