



US00D903103S

(12) **United States Design Patent** (10) **Patent No.:** **US D903,103 S**
Seward et al. (45) **Date of Patent:** **** Nov. 24, 2020**

(54) **CATHETER WITH PROTECTED NEEDLE AND BALLOON**

D569,508 S * 5/2008 Bacher D24/133
7,678,084 B2 * 3/2010 Judson A61M 5/24
604/110
D692,559 S * 10/2013 Scheibel D24/133
D724,726 S * 3/2015 Prokop D24/133
(Continued)

(71) Applicant: **Mercator MedSystems, Inc.**,
Emeryville, CA (US)

(72) Inventors: **Kirk P. Seward**, San Francisco, CA
(US); **David Gandionco**, San Francisco,
CA (US)

FOREIGN PATENT DOCUMENTS

CN 101330940 A 12/2008
CN 106102558 A 11/2016
(Continued)

(73) Assignee: **MERCATOR MEDSYSTEMS, INC.**,
Emeryville, CA (US)

OTHER PUBLICATIONS

Co-pending U.S. Appl. No. 29/683,507, filed Mar. 13, 2019.
(Continued)

(**) Term: **15 Years**

(21) Appl. No.: **29/683,510**

(22) Filed: **Mar. 13, 2019**

(51) **LOC (12) Cl.** **24-02**

(52) **U.S. Cl.**
USPC **D24/112**

(58) **Field of Classification Search**
USPC D24/112-114, 108, 130, 127, 133, 186;
606/181, 185; 604/264, 523-528, 272,
604/164.01-164.11, 187, 93.01; 600/101,
600/139, 143; 128/200.24, 207.14,
128/207.15
CPC .. A61M 25/065; A61M 5/42; A61M 25/0612;
A61M 25/00; A61M 39/00; A61M 27/00;
A61M 25/0043; A61M 25/0067; A61M
25/0097; A61F 2/958
See application file for complete search history.

Primary Examiner — David G Muller
(74) *Attorney, Agent, or Firm* — Wilson Sonsini Goodrich
& Rosati

(57) **CLAIM**

The ornamental design for a catheter with protected needle and balloon, as shown and described.

DESCRIPTION

FIG. 1 is a top view of the catheter with protected needle and balloon prior to expansion;
FIG. 2 is a right view of the catheter thereof;
FIG. 3 is a bottom view of the catheter thereof;
FIG. 4 is a left view of the catheter thereof;
FIG. 5 is a back view of the catheter thereof;
FIG. 6 is a front view of the catheter thereof; and,
FIG. 7 is a longitudinal cross-sectional view of the catheter thereof.

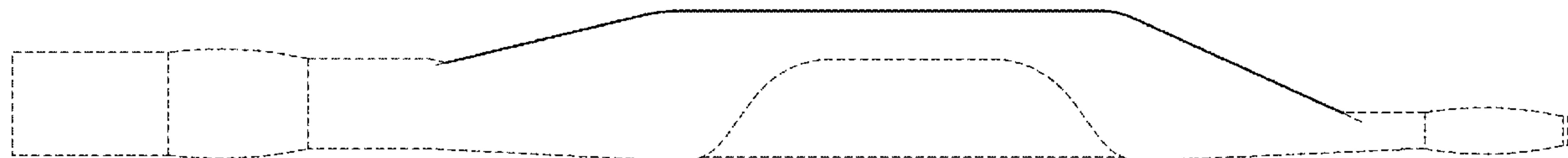
The broken line depiction of a catheter with protect needle and balloon prior to expansion is included for the purpose of illustrating environmental structure and forms no part of the claimed design.

1 Claim, 4 Drawing Sheets

(56) **References Cited**

U.S. PATENT DOCUMENTS

6,283,951 B1 9/2001 Flaherty et al.
6,660,024 B1 12/2003 Flaherty et al.
D489,818 S * 5/2004 Hawley D19/177
D490,150 S * 5/2004 Hawley D19/171
D490,520 S * 5/2004 Hawley D19/163
D491,263 S * 6/2004 Hawley D19/164
6,991,617 B2 1/2006 Hektner et al.



(56)

References Cited

U.S. PATENT DOCUMENTS

9,149,497	B2	10/2015	Seward et al.	
D748,780	S *	2/2016	Zhang	D24/133
D748,781	S *	2/2016	Zhang	D24/133
D748,782	S *	2/2016	Zhang	D24/133
D764,657	S *	8/2016	Bokelman	D24/113
D770,611	S *	11/2016	Saussaye	D24/114
2010/0292641	A1	11/2010	Wijay et al.	
2013/0060189	A1	3/2013	Herman et al.	
2014/0107478	A1	4/2014	Seward et al.	
2015/0119850	A1	4/2015	Seward	
2016/0243331	A1	8/2016	Havard	
2016/0243333	A1	8/2016	Seward	

FOREIGN PATENT DOCUMENTS

EP		1230944	A3	8/2002
EP		1412002	A1	4/2004
WO	WO-2008036900	A3		11/2008
WO	WO-2010024871	A1		3/2010
WO	WO-2015061748	A9		4/2015

OTHER PUBLICATIONS

Co-pending U.S. Appl. No. 29/683,508, filed Mar. 13, 2019.
 Co-pending U.S. Appl. No. 29/683,511, filed Mar. 13, 2019.

Co-pending U.S. Appl. No. 29/683,512, filed Mar. 13, 2019.
 Co-pending U.S. Appl. No. 29/683,513, filed Mar. 13, 2019.
 Mercator. Blowfish Transbronchial Micro-Infusion Device Specification Sheet. <http://www.mercatormed.com/blowfish-transbronchial-micro-infusion-device>. (earliest publication date Feb. 17, 2016) 1 page.
 Mercator. Bullfrog Micro-Infusion Device Brochure. <http://www.mercatormed.com/bullfrog-micro-infusion-device>. (earliest publication date Feb. 17, 2016) 1 page.
 PCT/2019/022057 International Search Report and Written Opinion dated May 30, 2019.
 PCT/US2019/022054 International Search Report and Written Opinion dated May 30, 2019.
 U.S. Appl. No. 29/683,507 Non-Final Office Action dated Mar. 19, 2020.
 U.S. Appl. No. 29/683,508 Non-Final Office Action dated Mar. 19, 2020.
 U.S. Appl. No. 29/683,511 Non-Final Office Action dated Mar. 19, 2020.
 U.S. Appl. No. 29/683,512 Non-Final Office Action dated Mar. 27, 2020.
 U.S. Appl. No. 29/683,513 Non-Final Office Action dated Mar. 19, 2020.

* cited by examiner

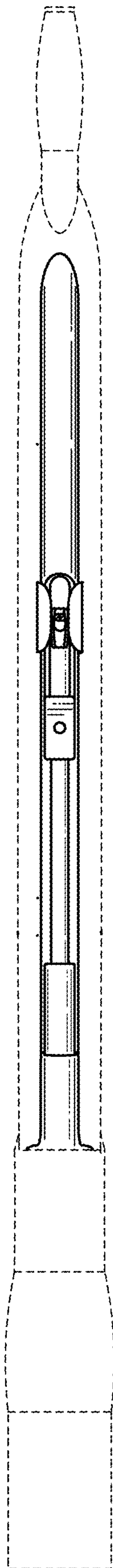


FIG. 1

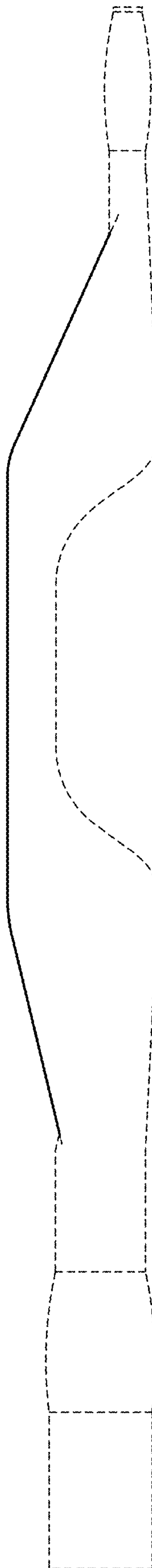


FIG. 2

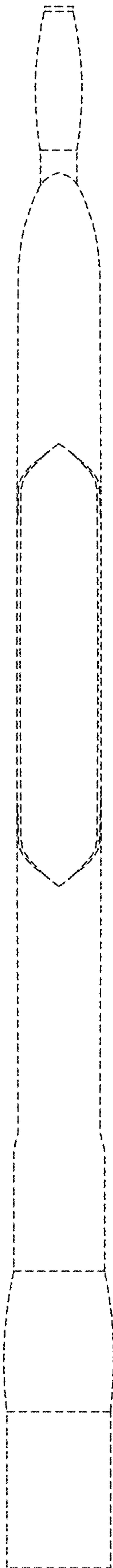


FIG. 3

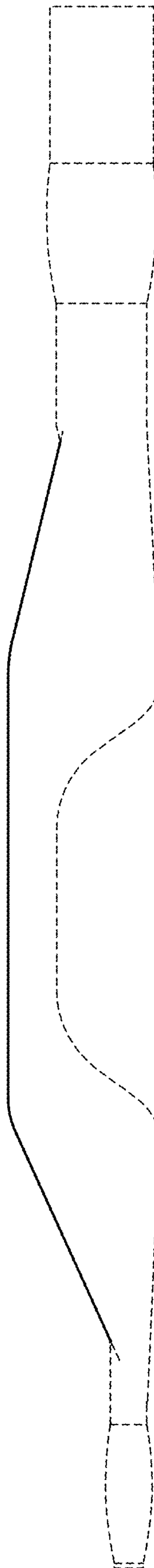


FIG. 4

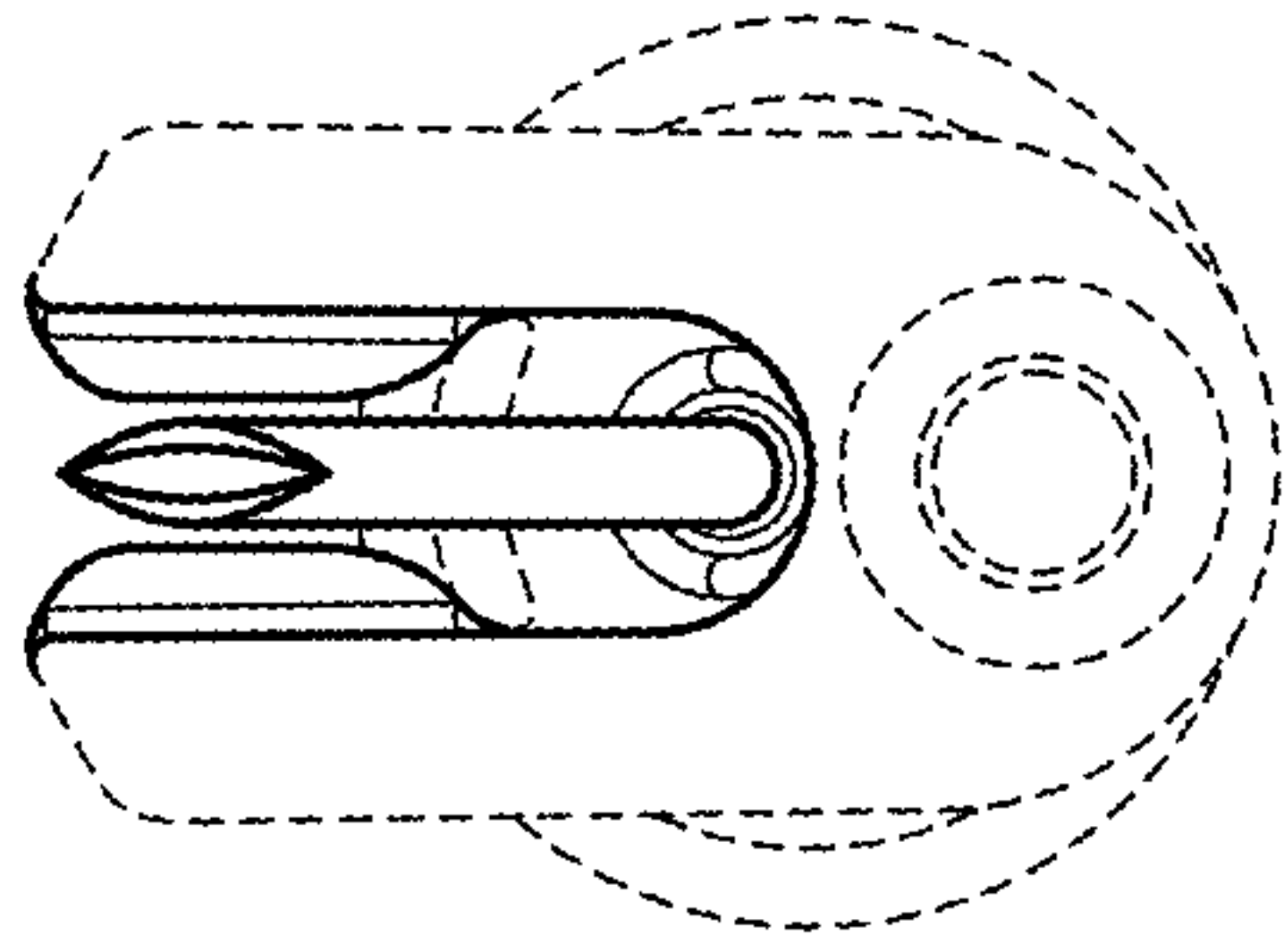


FIG. 6

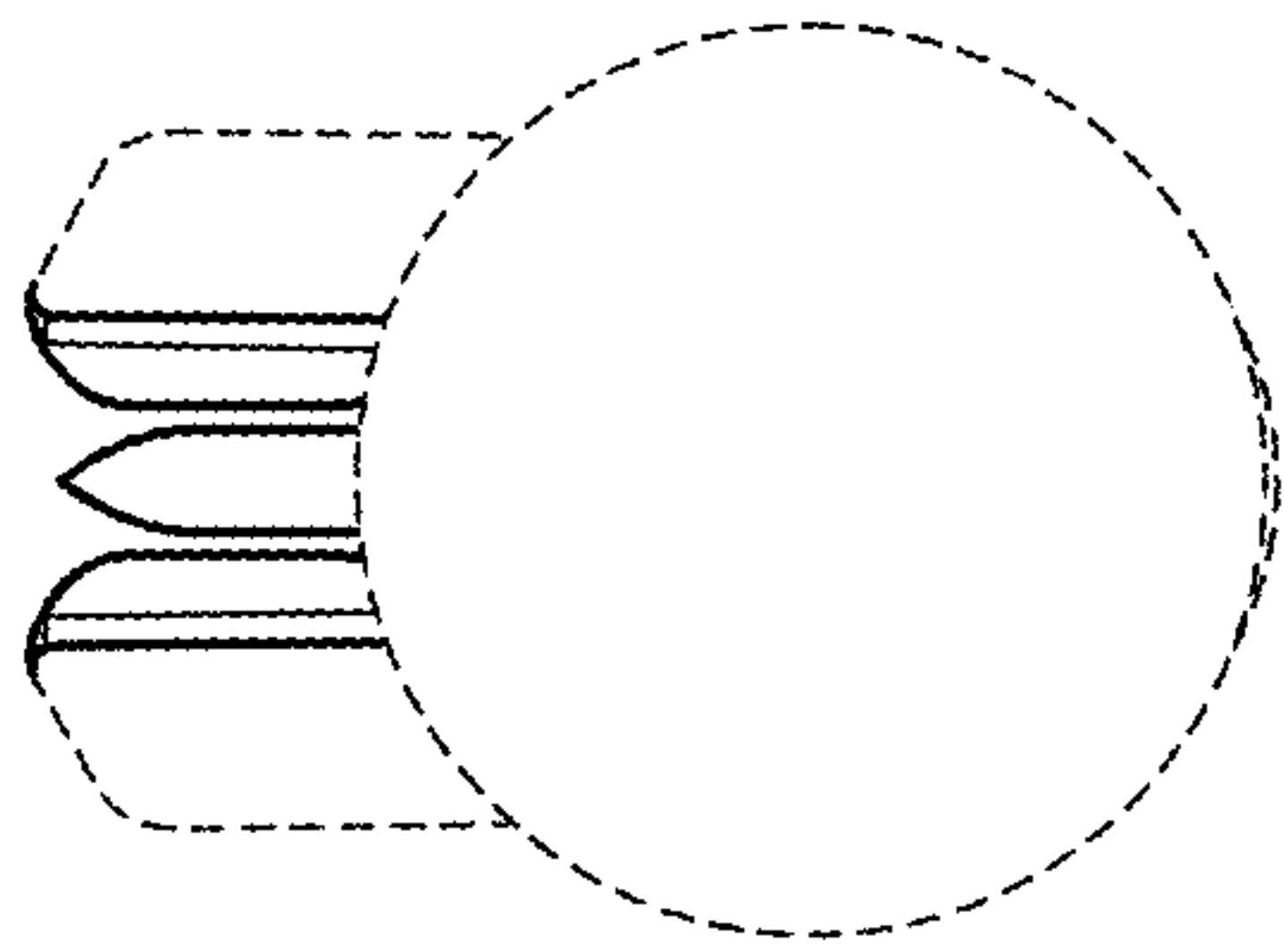


FIG. 5

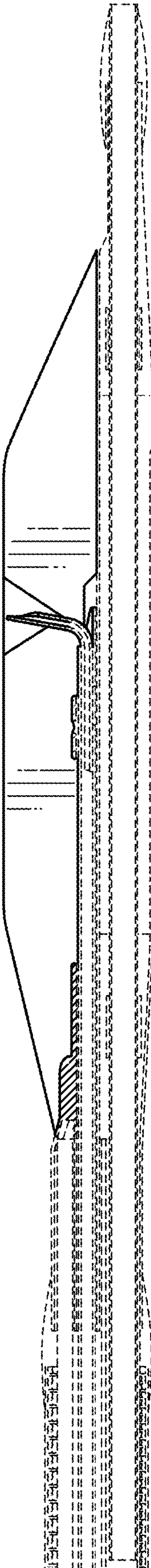


FIG. 7