



US00D903098S

(12) **United States Design Patent** (10) **Patent No.:** **US D903,098 S**
Tom (45) **Date of Patent:** **** Nov. 24, 2020**

(54) **DENTAL RINSING DEVICE** 8,827,093 B1 * 9/2014 Mendez A61J 11/0045
215/11.1
(71) Applicant: **Derek Brian Tom**, Aiea, HI (US) D812,219 S * 3/2018 Wang D24/111
D836,786 S * 12/2018 Laskowski D24/194
(72) Inventor: **Derek Brian Tom**, Aiea, HI (US) (Continued)

(**) Term: **15 Years**

(21) Appl. No.: **29/649,163**

(22) Filed: **May 27, 2018**

Related U.S. Application Data

(63) Continuation-in-part of application No. 15/473,582, filed on Mar. 29, 2017, now abandoned, and a continuation-in-part of application No. 15/152,490, filed on May 11, 2016, now abandoned.

(51) **LOC (12) Cl.** **24-02**

(52) **U.S. Cl.**
USPC **D24/111; D24/177**

(58) **Field of Classification Search**

USPC D24/193, 194, 195, 111, 115, 117, 177, D24/214; D1/101, 104, 106, 107, 199; D21/576, 584, 606, 607; D3/293, 301; D30/160

CPC A61C 17/028; A61C 17/02
See application file for complete search history.

(56) **References Cited**

U.S. PATENT DOCUMENTS

D326,151 S * 5/1992 Wallace D24/194
D377,830 S * 2/1997 Lai D24/114
6,540,718 B1 * 4/2003 Wennek A61M 3/0241
604/94.01
D612,492 S * 3/2010 Krumins D24/127
D617,444 S * 6/2010 McCauley D24/108
D634,002 S * 3/2011 Laerdal D24/111
D695,361 S * 12/2013 Roehrig D21/525
D712,535 S * 9/2014 Du D24/115

OTHER PUBLICATIONS

“Elviray: Teeth Cleaner, Manual Jet—Water Oral Irrigator”. Found online Apr. 3, 2020 at amazon.co.uk. Reference dated Jul. 1, 2019. Retrieved from https://www.amazon.co.uk/Elviray-Cleaner-Irrigator-Portable-Cleaning/dp/B07TV52VSY/ref=sr_1_46?dchild=1&keywords=oral+irrigator&qid=1585964434&sr=8-46.*

(Continued)

Primary Examiner — Kendra Leslie Hamilton

(74) *Attorney, Agent, or Firm* — Martin E. Hsia; Keri Ann K. S. Krzykowski

(57) **CLAIM**

The ornamental design for a dental rinsing device, as shown and described.

DESCRIPTION

FIG. 1 is a top, front, right perspective view of a dental rinsing device, showing my new design in a first configuration and in condition for use;

FIG. 2 is a front elevation view thereof;

FIG. 3 is a rear elevation view thereof;

FIG. 4 is a left elevation view thereof;

FIG. 5 is a right elevation view thereof;

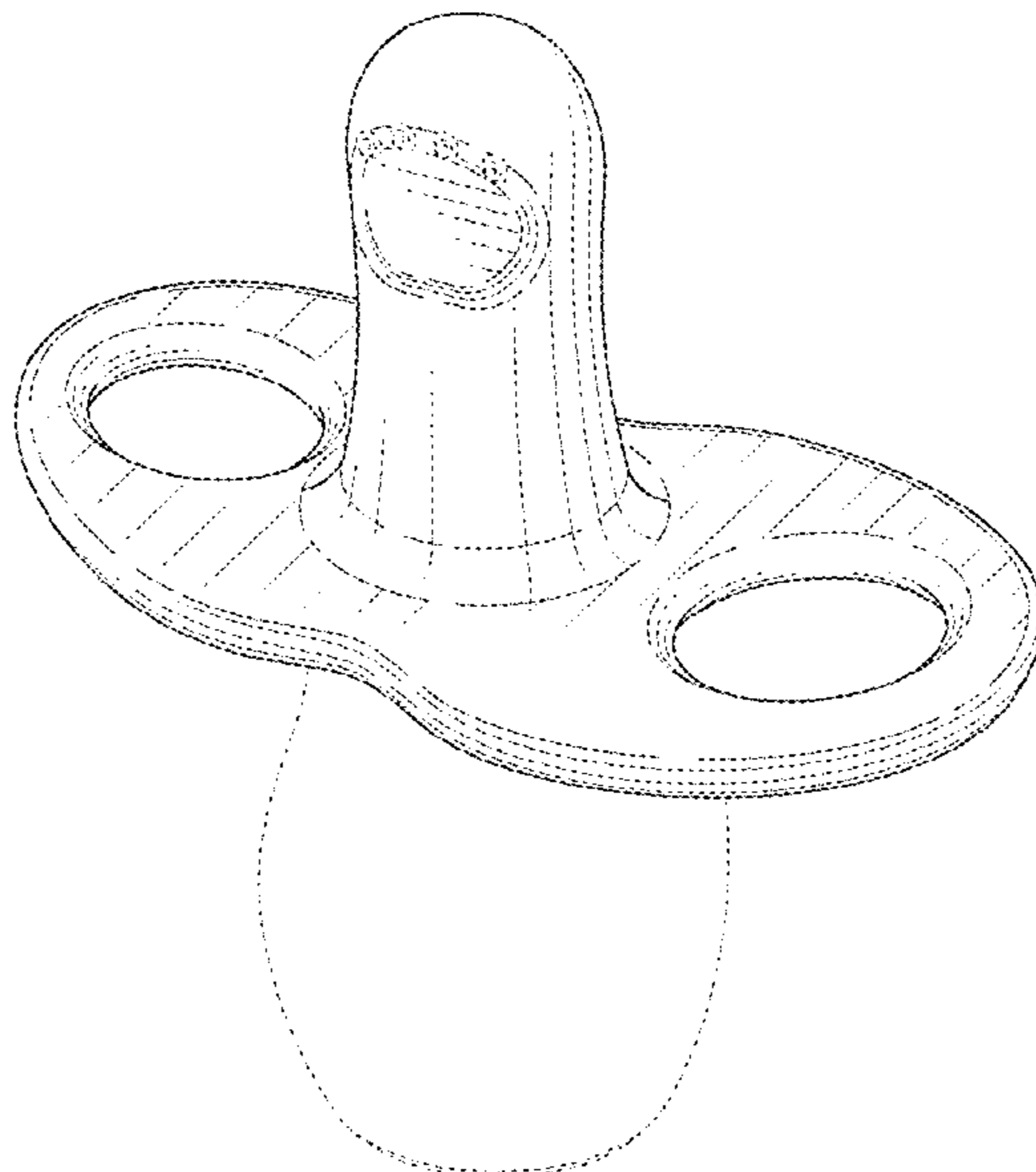
FIG. 6 is a top plan view thereof;

FIG. 7 is a bottom plan view thereof;

FIG. 8 is a bottom, front, right perspective view of the dental rinsing device of FIG. 1, shown in a second configuration with the base portion removed for clarity of disclosure; and, FIG. 9 is a front elevation view of the dental rinsing device of FIG. 1, shown in a third configuration and exploded for clarity of disclosure.

The broken lines in FIGS. 1-9 depict portions of the dental rinsing device that form no part of the claimed design.

1 Claim, 7 Drawing Sheets



(56)

References Cited

U.S. PATENT DOCUMENTS

2012/0035655 A1* 2/2012 Trocki A61J 11/001
606/236
2020/0038155 A1* 2/2020 Johanski A61C 17/028

OTHER PUBLICATIONS

“Yunt: Baby Pacifer/Medicine Dispenser”. Found online Apr. 3, 2020 at amazon.co.uk. Reference dated Aug. 30, 2016. Retrieved from https://www.amazon.co.uk/...-Pacifier-Medicine-Dispenser-Medicator/dp/B01L8Y1Q90/ref=sr_1_3?dchild=1&keywords=pacifier%2Bmedicine&qid=1585956113&s=baby&sr=1-3&th=1.*

“Rosenice: Double Irrigation, Dental Disposable Syringe With Curve Tip”. Found online Apr. 3, 2020 at amazon.co.uk. Reference dated Oct. 31, 2017. Retrieved from <https://www.amazon.co.uk/...1NDM1MTRGNFVPRjNYWERCVSZ3aWRnZXROYW1IPXNwX2RIIdGFpbCZhY3Rpb249Y2xpY2tSZWRpcmVjdCZkb05vdExvZ0NsaWNrPXRydWU=>.*

“Nuby: SoftFlex Orthodontic Pacifer”. Found online Apr. 20, 2020 at amazon.com. Reference dated Feb. 3, 2011. Retrieved from https://www.amazon.com/Nuby-2-Pack-SoftFlex-Orthodontic-Pacifiers/dp/B00290JYDI/ref=cm_cr_arp_d_product_top?ie=UTF8.*

* cited by examiner

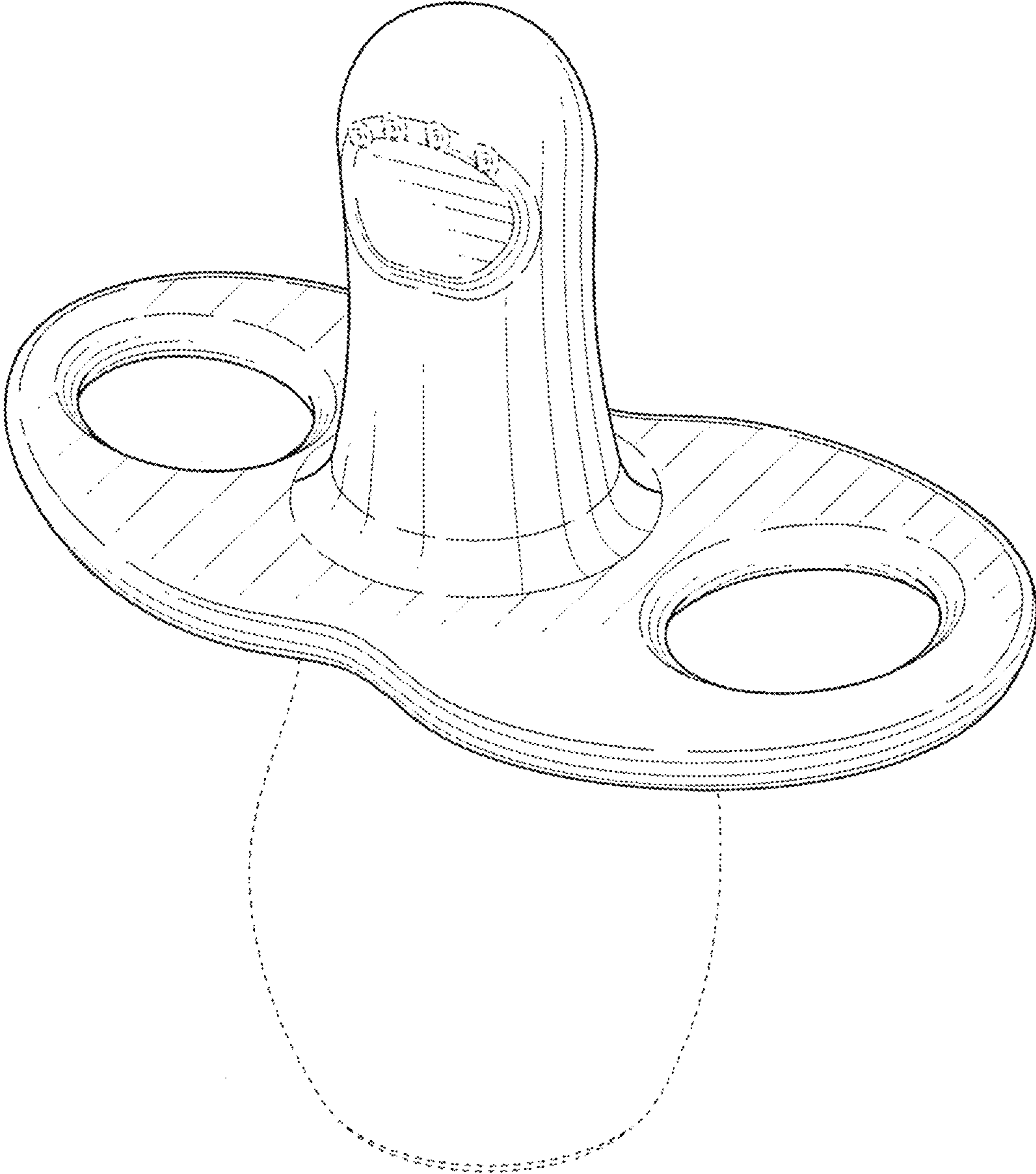


FIG. 1

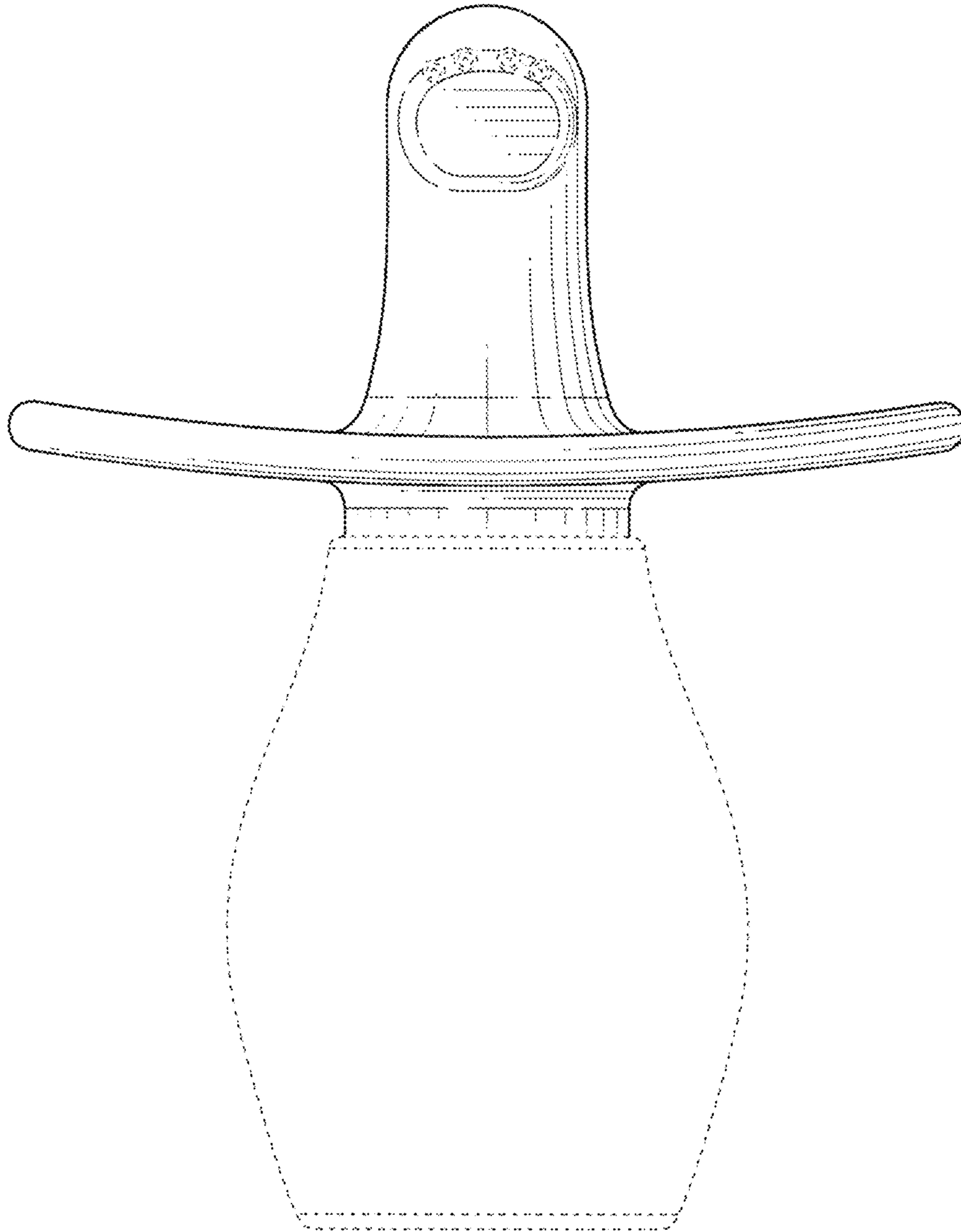


FIG. 2

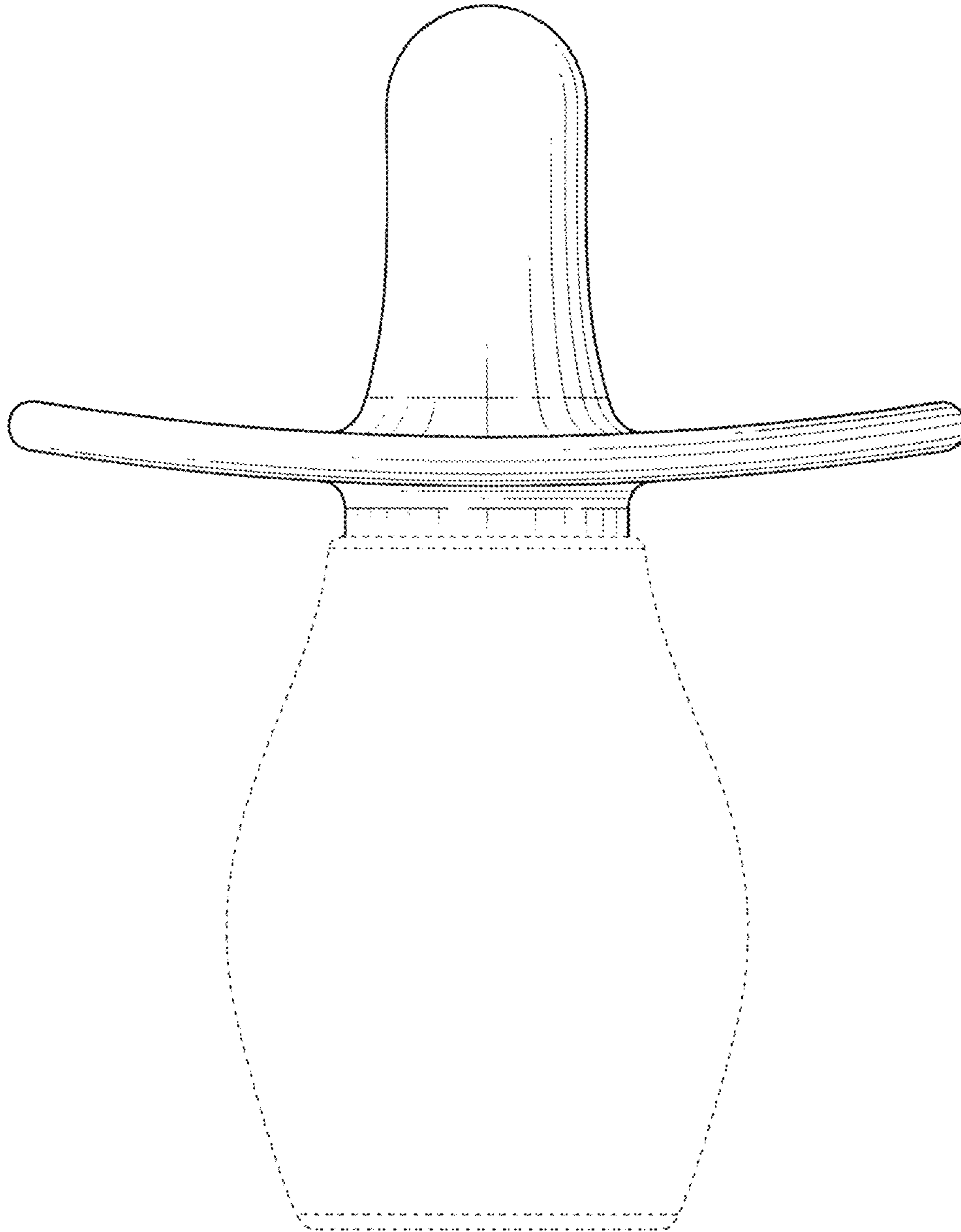


FIG. 3

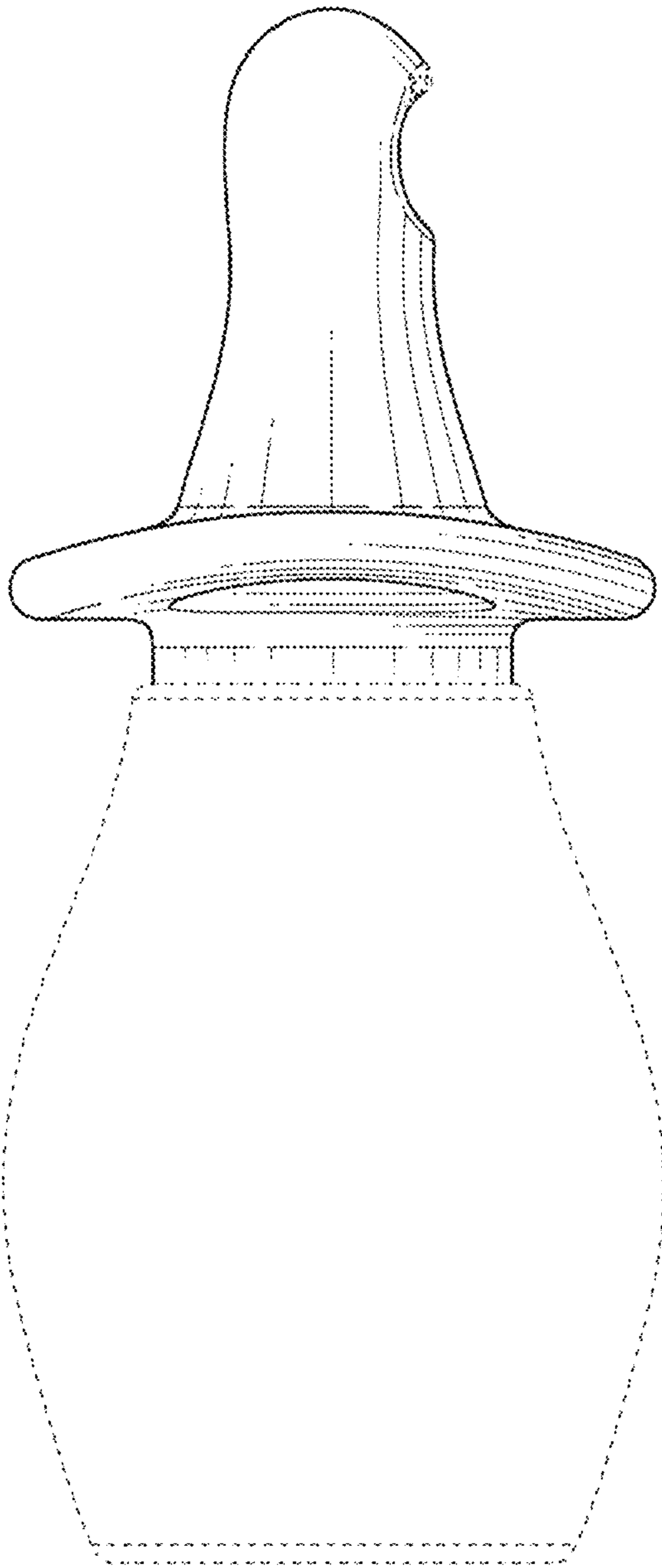


FIG. 4

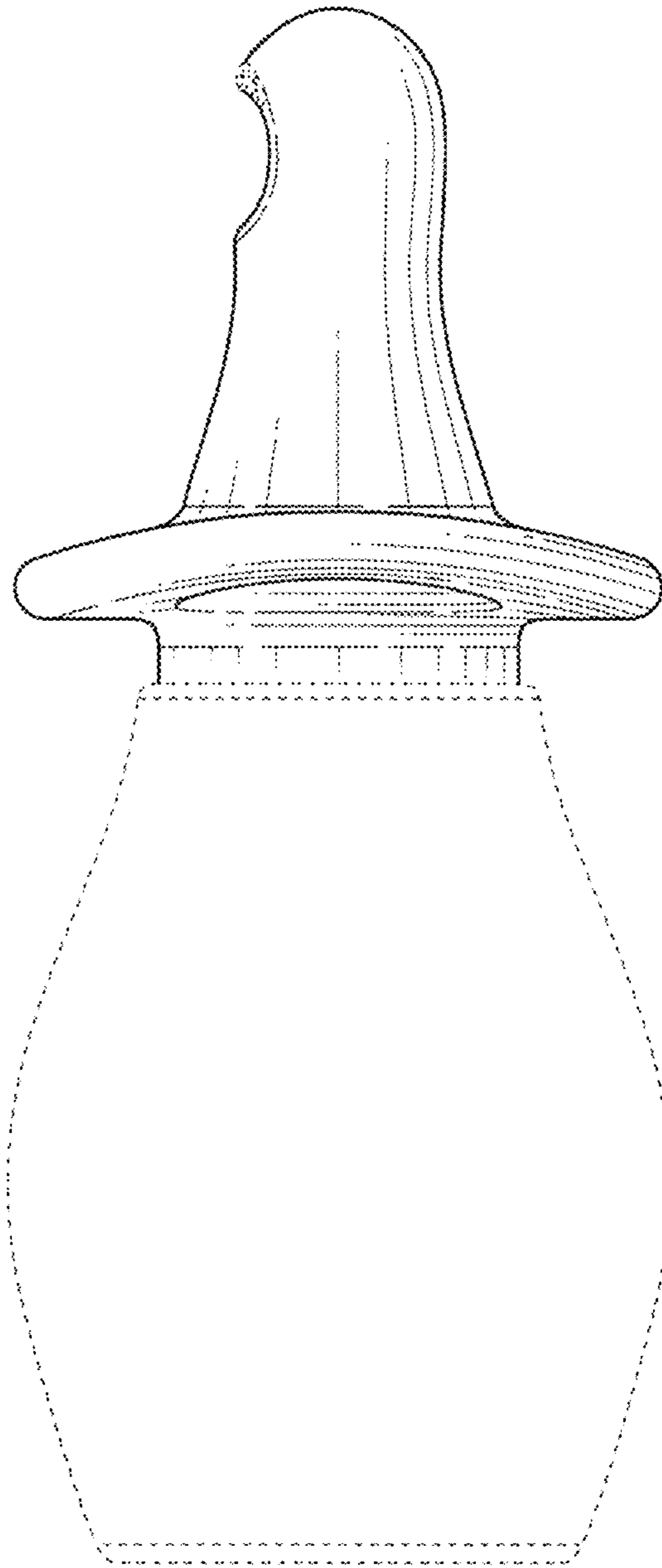


FIG. 5

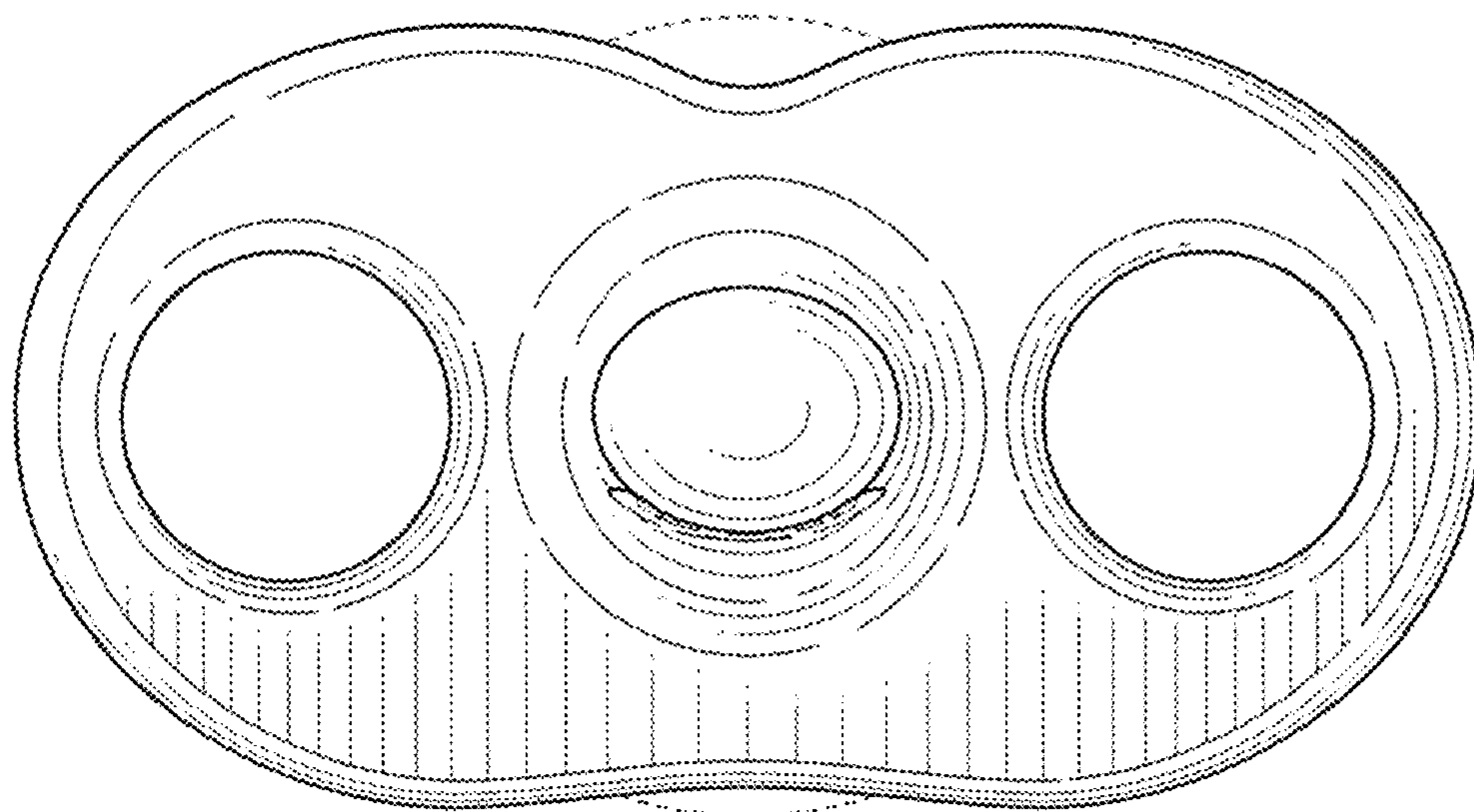


FIG. 6

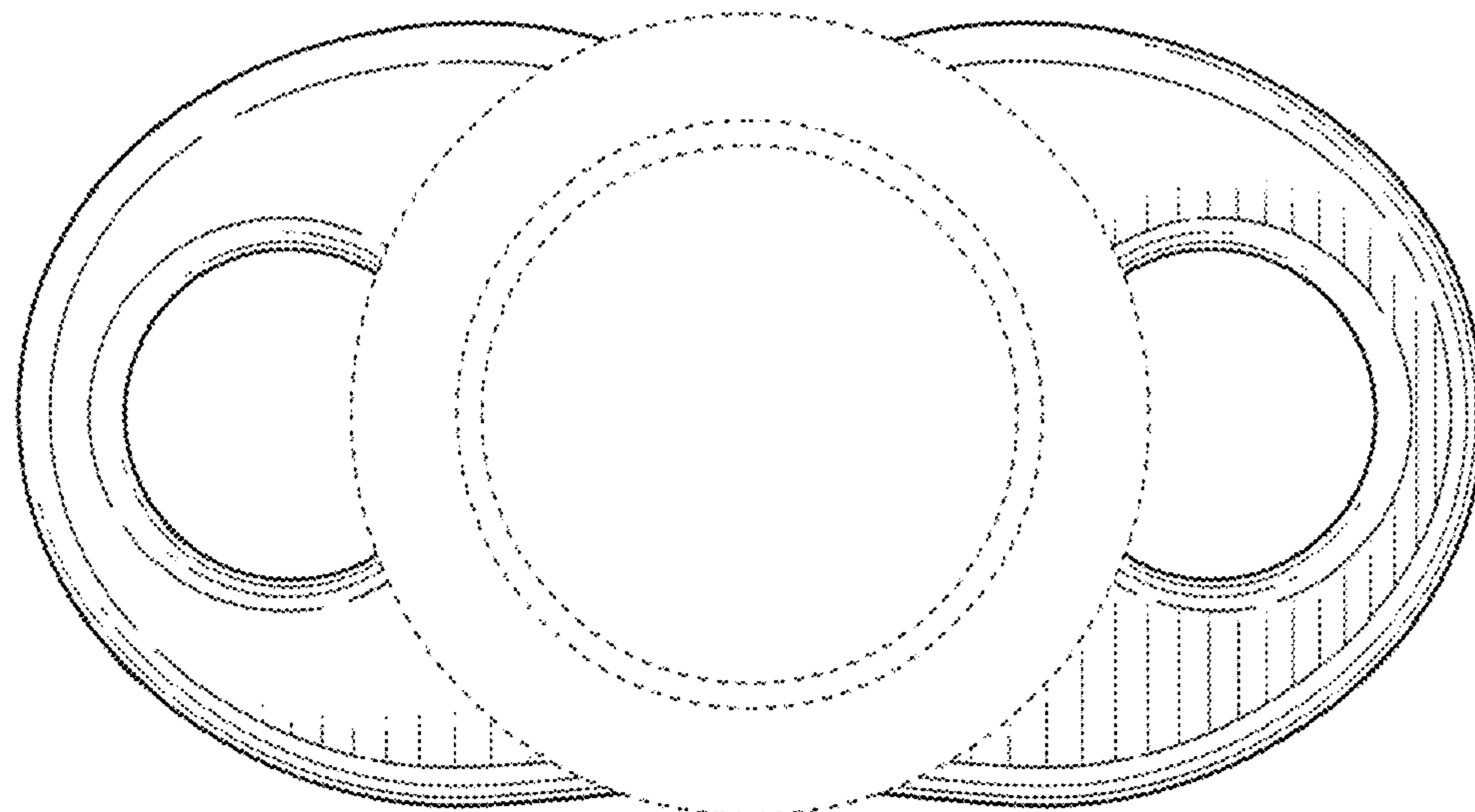


FIG. 7

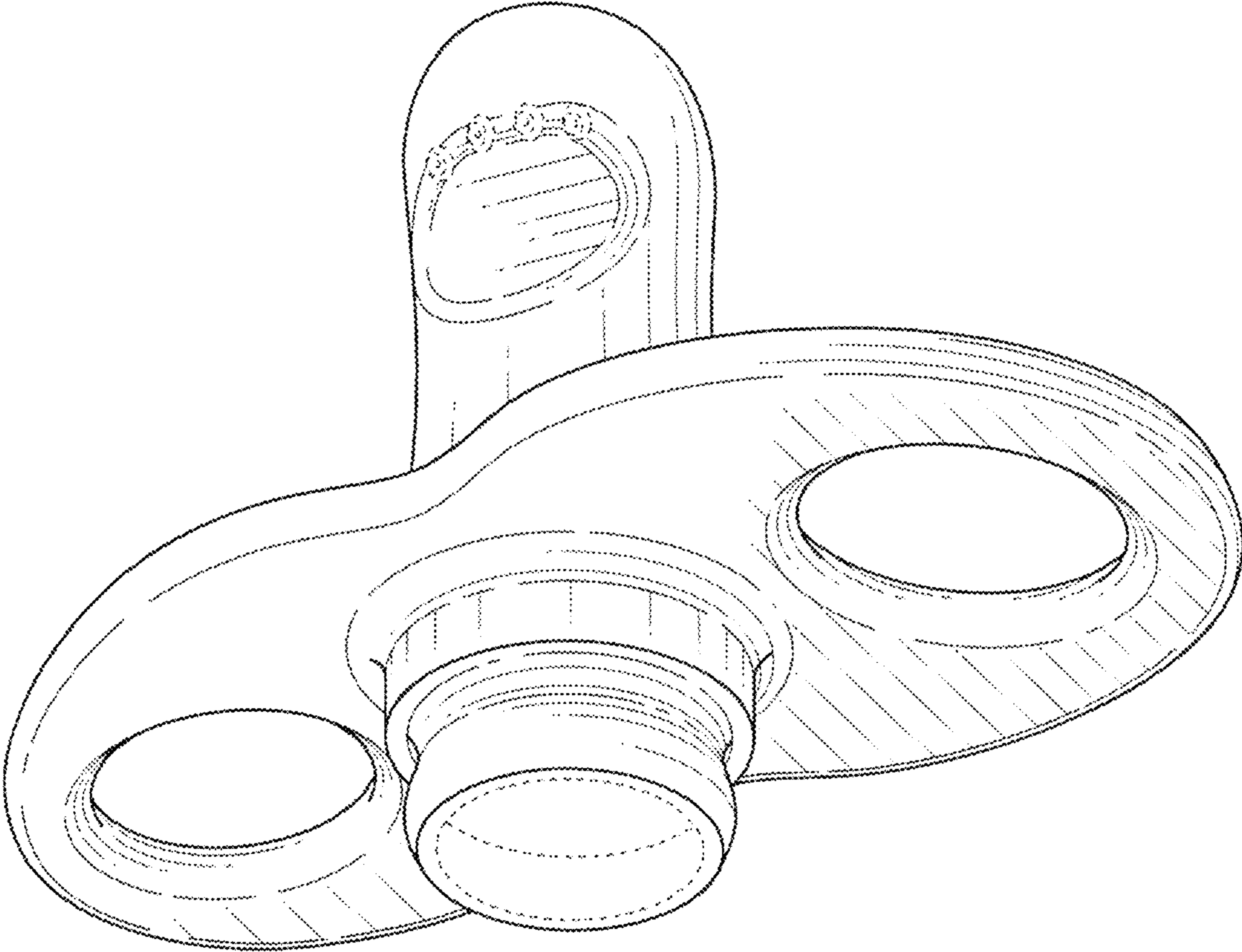


FIG. 8

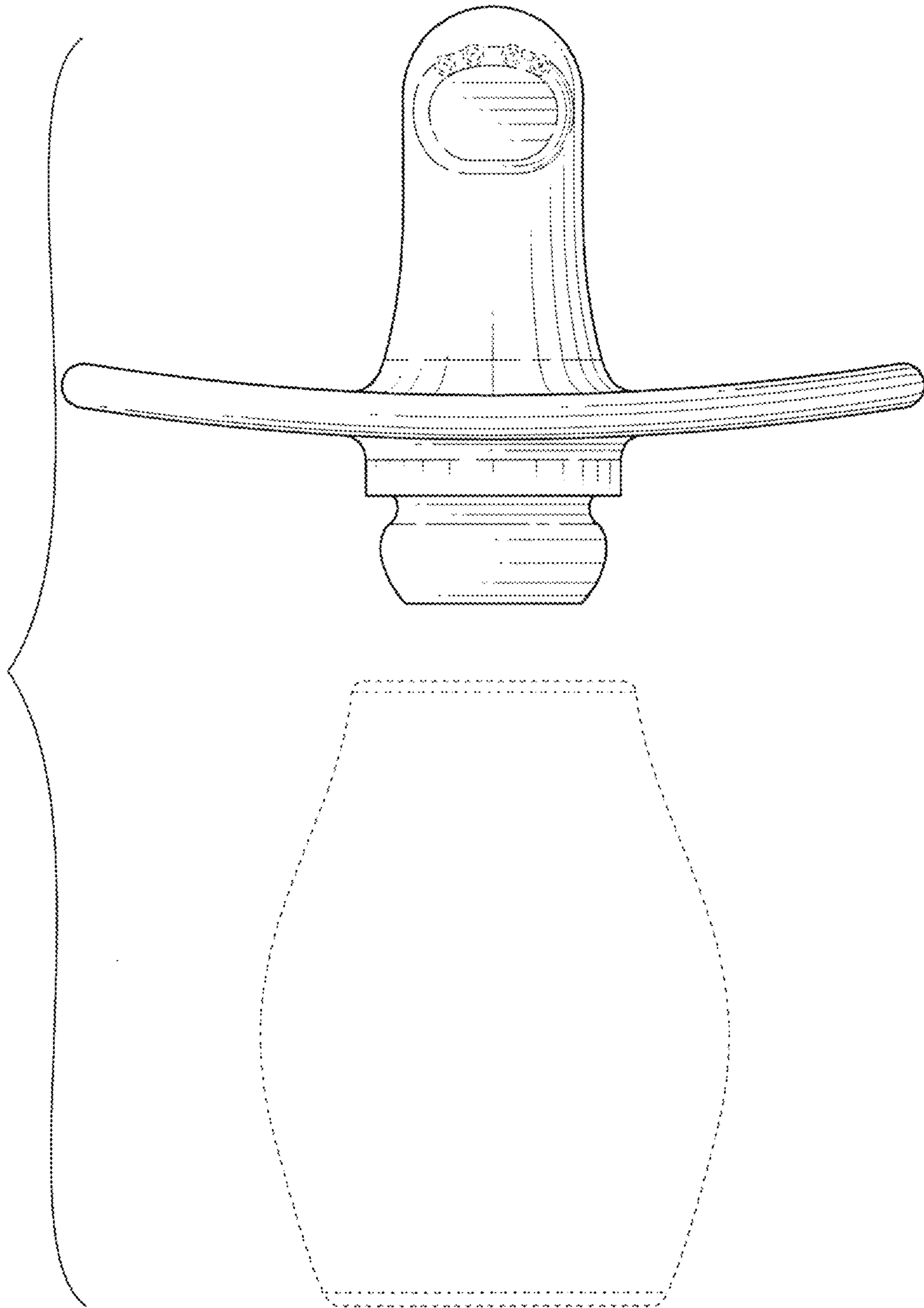


FIG. 9