



US00D903097S

(12) **United States Design Patent** (10) **Patent No.:** **US D903,097 S**  
**Costella et al.** (45) **Date of Patent:** **\*\* Nov. 24, 2020**

(54) **MASK**  
(71) Applicant: **Trudell Medical International**, London (CA)  
(72) Inventors: **Stephen Costella**, London (CA); **Alanna Kirchner**, London (CA)  
(73) Assignee: **Trudell Medical International**, Ontario (CA)  
(\*\*) Term: **15 Years**  
(21) Appl. No.: **29/648,175**  
(22) Filed: **May 18, 2018**  
(51) **LOC (12) Cl.** ..... **29-02**  
(52) **U.S. Cl.**  
USPC ..... **D24/110.1**  
(58) **Field of Classification Search**  
USPC ..... D24/110.1–110.4, 127, 162, 164, 110; D29/102, 107, 108, 110, 129  
CPC ..... A61M 16/06; A61M 2202/0208; A61M 16/08; A61M 16/00; A61M 2016/0661; A62B 18/02  
See application file for complete search history.

D331,300 S 11/1992 Fountain  
5,101,819 A 11/1992 Lane  
5,425,359 A 6/1995 Liou  
D369,442 S 4/1996 Jones  
RE35,339 E 10/1996 Rapoport  
5,598,839 A 2/1997 Niles et al.  
5,628,308 A 5/1997 Harges, Jr. et al.  
5,645,049 A 7/1997 Foley et al.  
5,730,122 A 3/1998 Lurie  
5,848,589 A 12/1998 Welnetz

(Continued)

**FOREIGN PATENT DOCUMENTS**

CN 103405836 11/2013  
EP 0921807 6/1999

(Continued)

**OTHER PUBLICATIONS**

US 9,433,822 B1, 09/2016, Danford (withdrawn)

(Continued)

*Primary Examiner* — Lilyana Bekic  
(74) *Attorney, Agent, or Firm* — Brinks Gilson & Lione

(57) **CLAIM**

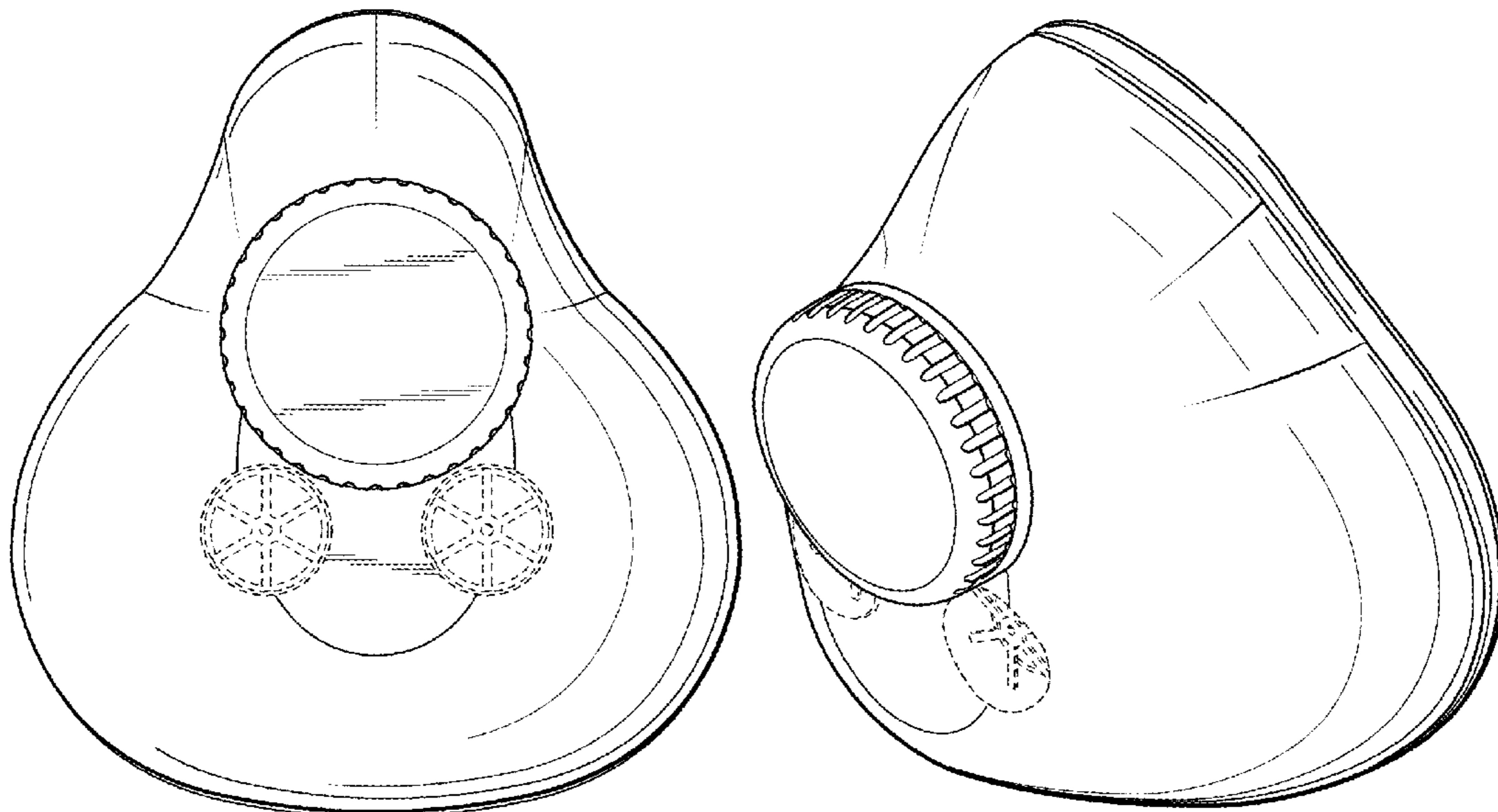
The ornamental design for a mask, as shown and described.

**DESCRIPTION**

FIG. 1 is a front view a mask;  
FIG. 2 is a right side view of the mask shown in FIG. 1, with the left side view being a mirror image thereof;  
FIG. 3 is a top view of the mask shown in FIG. 1;  
FIG. 4 is rear view of the mask shown in FIG. 1;  
FIG. 5 is an isometric view of the mask shown in FIG. 1; and,  
FIG. 6 is a bottom view of the mask shown in FIG. 1.  
The broken lines in the drawings depict portions of the mask that form no part of the claimed design.

**1 Claim, 3 Drawing Sheets**

(56) **References Cited**  
**U.S. PATENT DOCUMENTS**  
511,780 A 1/1894 Kaplan  
669,098 A 3/1901 Overshiner  
2,888,012 A 5/1959 Larson  
3,097,642 A 7/1963 Russell  
3,850,171 A 11/1974 Ball et al.  
3,884,223 A 5/1975 Keindl  
3,889,671 A 6/1975 Baker  
D239,218 S 3/1976 Fortson  
4,881,540 A 11/1989 Vigilia  
D311,261 S 10/1990 Avey  
4,974,829 A 12/1990 Gamow et al.  
5,056,756 A 10/1991 Norkey et al.



(56)

References Cited

U.S. PATENT DOCUMENTS

6,029,667 A	2/2000	Lurie	9,333,318 B2	5/2016	Cragg et al.
D434,879 S	12/2000	Cole	D758,703 S	6/2016	Shehadeh
6,338,340 B1	1/2002	Finch et al.	9,403,826 B2	8/2016	Kandula
D455,236 S	4/2002	Gatton	D767,115 S	9/2016	Mingo
6,478,026 B1	11/2002	Wood	D767,755 S	9/2016	D'Souza
6,511,964 B2	1/2003	Butler et al.	D777,380 S	1/2017	Win
6,557,549 B2	5/2003	Schmidt et al.	9,573,885 B2	2/2017	Pelletier et al.
6,626,179 B1	9/2003	Pedley	9,579,540 B1	2/2017	Danford
6,722,360 B2	4/2004	Doshi	D784,660 S	4/2017	Garcia
D510,652 S	10/2005	Edwards	9,615,962 B2	4/2017	Robitaille
6,964,638 B2	11/2005	Theodoracopulos et al.	9,643,048 B1	5/2017	Danford
7,013,896 B2	3/2006	Schmidt	9,707,444 B1	7/2017	Danford
D518,625 S	4/2006	Barnhouse	9,802,079 B1	10/2017	Danford
D531,385 S	11/2006	Lund	D803,482 S	11/2017	Greenblat
7,188,374 B2	3/2007	Carey	D811,581 S	2/2018	Danford
7,261,104 B2	8/2007	Kiefer et al.	D833,682 S	11/2018	Greenblat
7,334,581 B2	2/2008	Doshi	D839,484 S	1/2019	Chase
D569,079 S	5/2008	Whong	D841,149 S *	2/2019	Collazo ..... D24/110.1
D604,910 S	1/2009	Smaller	D841,150 S *	2/2019	Collazo ..... D24/110.1
7,506,649 B2	3/2009	Doshi et al.	D842,591 S	3/2019	Greenblat
7,559,327 B2	7/2009	Hernandez	D843,692 S	3/2019	Greenblat
7,735,491 B2	6/2010	Doshi et al.	D843,693 S	3/2019	Greenblat
7,735,492 B2	6/2010	Doshi et al.	D844,301 S	4/2019	Greenblat
7,798,148 B2	9/2010	Doshi et al.	D849,933 S *	5/2019	Collazo ..... D24/110.4
7,806,120 B2	10/2010	Loomas et al.	D849,934 S *	5/2019	Collazo ..... D24/110.4
7,856,979 B2	12/2010	Doshi et al.	D850,760 S	6/2019	Greenblat
D636,128 S	4/2011	Hancock	D851,750 S *	6/2019	Collazo ..... D24/110.1
D638,170 S	5/2011	Chen	D863,544 S *	10/2019	Collazo ..... D24/110.2
7,987,852 B2	8/2011	Doshi et al.	D874,064 S	1/2020	Costella et al.
7,992,563 B2	8/2011	Doshi et al.	2003/0121520 A1	7/2003	Parker et al.
7,992,564 B2	8/2011	Doshi et al.	2003/0170377 A1	9/2003	Hammel
8,020,700 B2	9/2011	Doshi et al.	2005/0098183 A1	5/2005	Nash et al.
8,026,077 B2	9/2011	Madden	2006/0085881 A1	4/2006	Gellis
8,061,357 B2	11/2011	Pierce et al.	2006/0130213 A1	6/2006	Mickle
D656,706 S	4/2012	I	2006/0254592 A1	11/2006	Anders et al.
D657,917 S	4/2012	Chen	2008/0083410 A1	4/2008	Resnick
8,215,308 B2	7/2012	Doshi et al.	2008/0142015 A1	6/2008	Groll
8,225,428 B2	7/2012	Grilliot	2008/0223370 A1	9/2008	Kim
D665,536 S	8/2012	Jenke	2008/0245370 A1	10/2008	Kobziar et al.
D666,364 S	8/2012	Votel	2009/0131490 A1	5/2009	Swenson
8,235,046 B2	8/2012	Doshi et al.	2009/0178176 A1	7/2009	Rowe
8,240,309 B2	8/2012	Doshi et al.	2009/0194100 A1	8/2009	Minagi
D670,037 S	10/2012	Chen	2009/0298747 A1	12/2009	Shapiro
D670,038 S	10/2012	Andrews	2010/0043788 A1	2/2010	Fine et al.
8,281,557 B2	10/2012	Doshi et al.	2010/0326433 A1	12/2010	Williams
8,291,909 B2	10/2012	Doshi et al.	2011/0005530 A1	1/2011	Doshi et al.
D671,688 S	11/2012	Sullivan, II	2011/0100369 A1	5/2011	Zhang et al.
8,302,606 B2	11/2012	Doshi et al.	2012/0088776 A1	4/2012	Supuran et al.
8,302,607 B2	11/2012	Pierce et al.	2012/0172740 A1 *	7/2012	Hu ..... A61M 16/06 600/532
8,327,849 B2	12/2012	Foley et al.	2012/0201906 A1	8/2012	Reynolds et al.
8,365,736 B2	2/2013	Doshi et al.	2013/0081637 A1	4/2013	Foley et al.
D681,881 S	5/2013	Pong	2013/0131028 A1	5/2013	Snyder et al.
8,475,340 B2	7/2013	Maybaum	2013/0152930 A1	6/2013	Votel
8,590,533 B2	11/2013	Danford	2013/0325498 A1	12/2013	Muza, Jr. et al.
D698,498 S	1/2014	Fleming	2014/0096768 A1	4/2014	Lee
D699,018 S	2/2014	Shehadeh	2014/0134191 A1	5/2014	Weidanz et al.
8,646,449 B2	2/2014	Bowsher	2014/0246024 A1	9/2014	Cragg et al.
D702,401 S	4/2014	Phillips	2014/0246025 A1	9/2014	Cragg et al.
8,690,750 B2	4/2014	Krueger	2014/0283837 A1	9/2014	Turrisi
8,707,955 B2	8/2014	Doshi	2014/0345623 A1	11/2014	Pierce et al.
8,875,711 B2	11/2014	Sather et al.	2015/0087660 A1	3/2015	Kandula
D723,245 S	3/2015	Womack	2015/0225460 A1	8/2015	Fischer et al.
8,985,116 B2	3/2015	Doshi et al.	2015/0231443 A1	8/2015	Halliday
D726,970 S	4/2015	Martin	2015/0267695 A1	9/2015	Marsh
D729,457 S	5/2015	Kim	2016/0128863 A1	5/2016	Loomas et al.
9,066,933 B2	6/2015	Wong et al.	2016/0129286 A1	5/2016	Danford
9,067,086 B2	6/2015	Danford	2016/0129287 A1	5/2016	Danford
9,192,796 B2	11/2015	Patil et al.	2016/0143770 A1	5/2016	Vezina et al.
9,238,113 B2	1/2016	Loomas et al.	2016/0361067 A9	12/2016	Cline et al.
D751,768 S	3/2016	Kim	2017/0042909 A1	2/2017	Yin et al.
9,284,287 B1	3/2016	Kandula	2017/0043115 A1	2/2017	Murphy et al.
9,309,286 B2	4/2016	Kayyali	2017/0065791 A1	3/2017	Nussbaum et al.
9,326,885 B2	5/2016	Robitaille	2017/0144000 A1	5/2017	Danford
			2017/0173281 A1	6/2017	Engelbreth et al.
			2017/0196280 A1	7/2017	Murphy

(56)

**References Cited**

U.S. PATENT DOCUMENTS

2017/0274246 A1 9/2017 Danford  
2018/0264294 A1 9/2018 Hancock et al.

FOREIGN PATENT DOCUMENTS

EP	1247525	10/2002
EP	1503768	2/2005
EP	2866824	5/2015
EP	2937089	10/2015
EP	3141542	3/2017
WO	WO2004/014352	2/2004
WO	WO2009/009829	1/2009
WO	WO2009/139925	11/2009
WO	WO2010/021941	2/2010
WO	WO2012/003390	1/2012
WO	WO2012/144938	10/2012
WO	WO2013/167994	11/2013
WO	WO2014/180239	11/2014
WO	WO2015/106678	7/2015
WO	WO2015/140125	9/2015
WO	WO2016/134032	8/2016
WO	WO2016/191791	12/2016
WO	WO2016/203400	12/2016
WO	WO2016/203401	12/2016
WO	WO2017/020068	2/2017

OTHER PUBLICATIONS

International Search Report and Written Opinion for International Application No. PCT/IB2018/053527 dated Sep. 5, 2018 (13 pages).

\* cited by examiner

FIG. 1

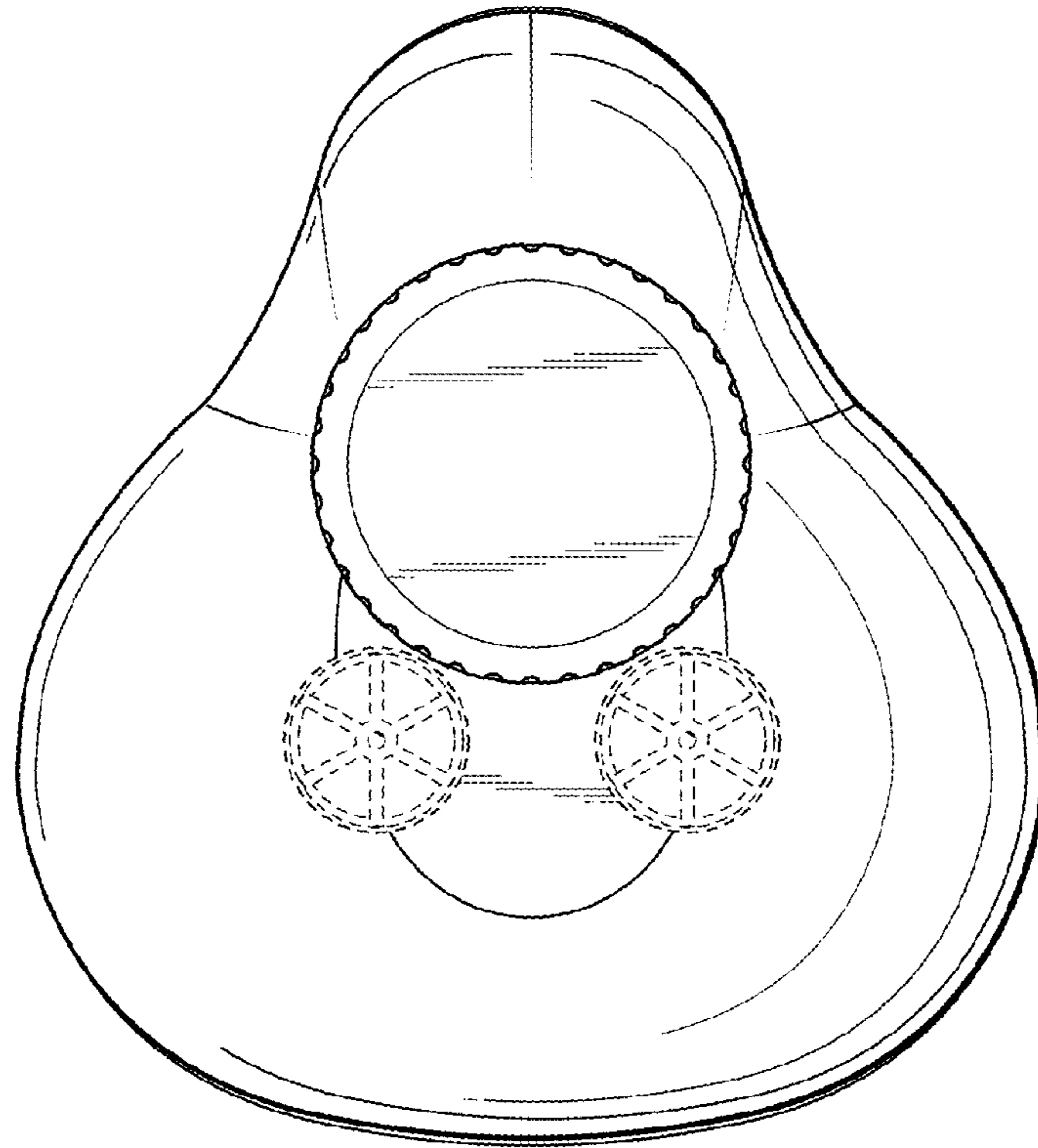
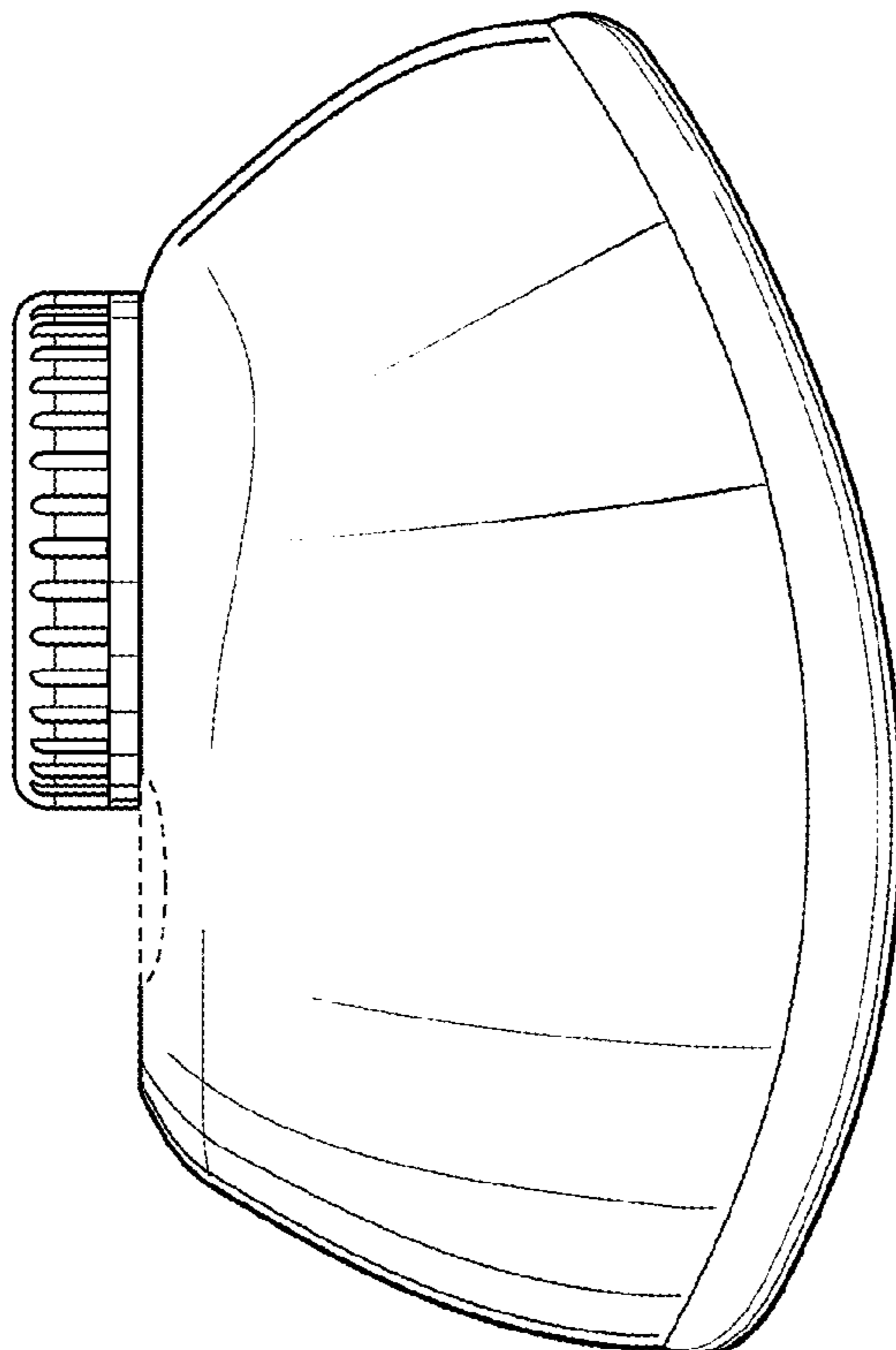
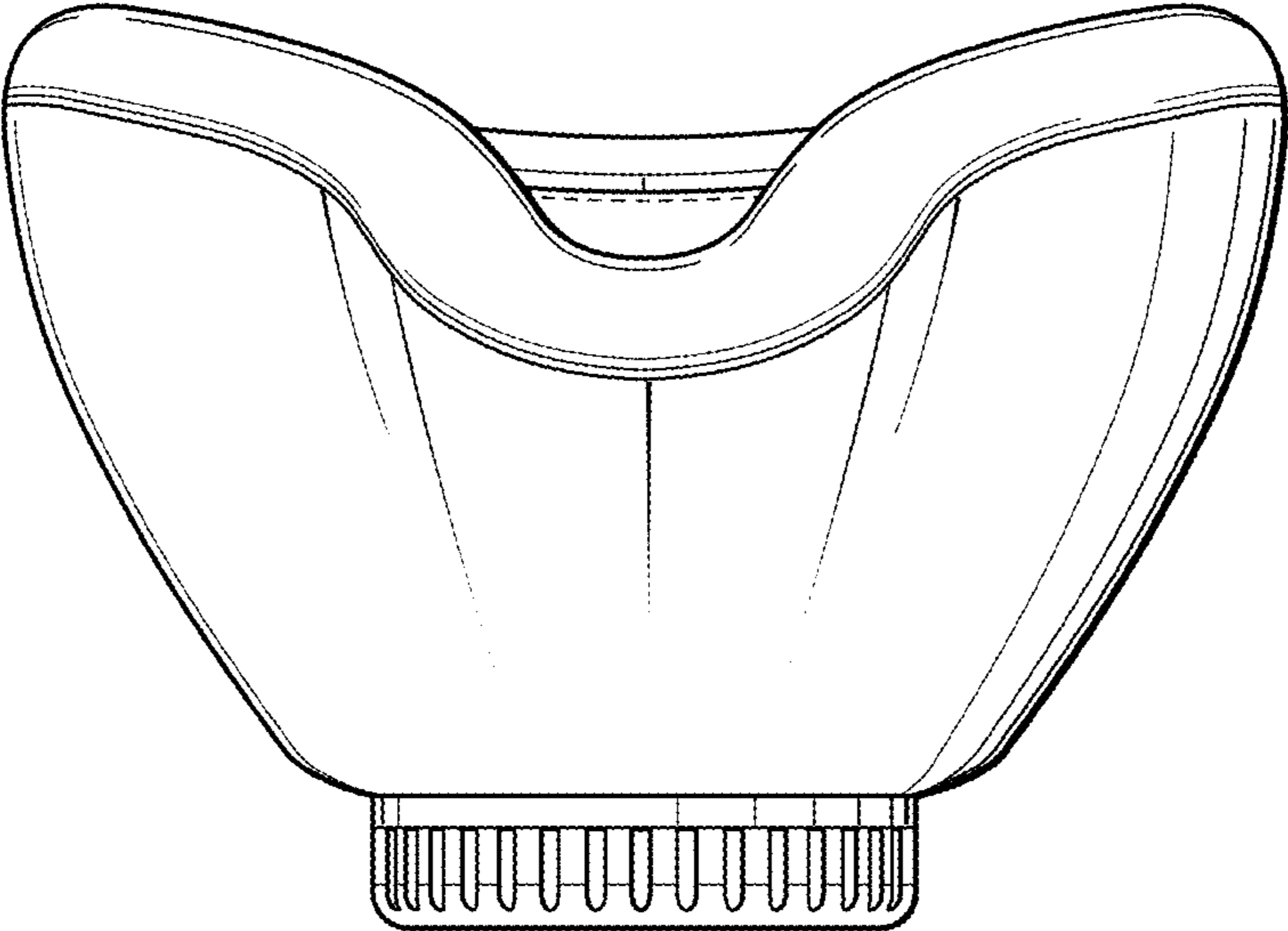


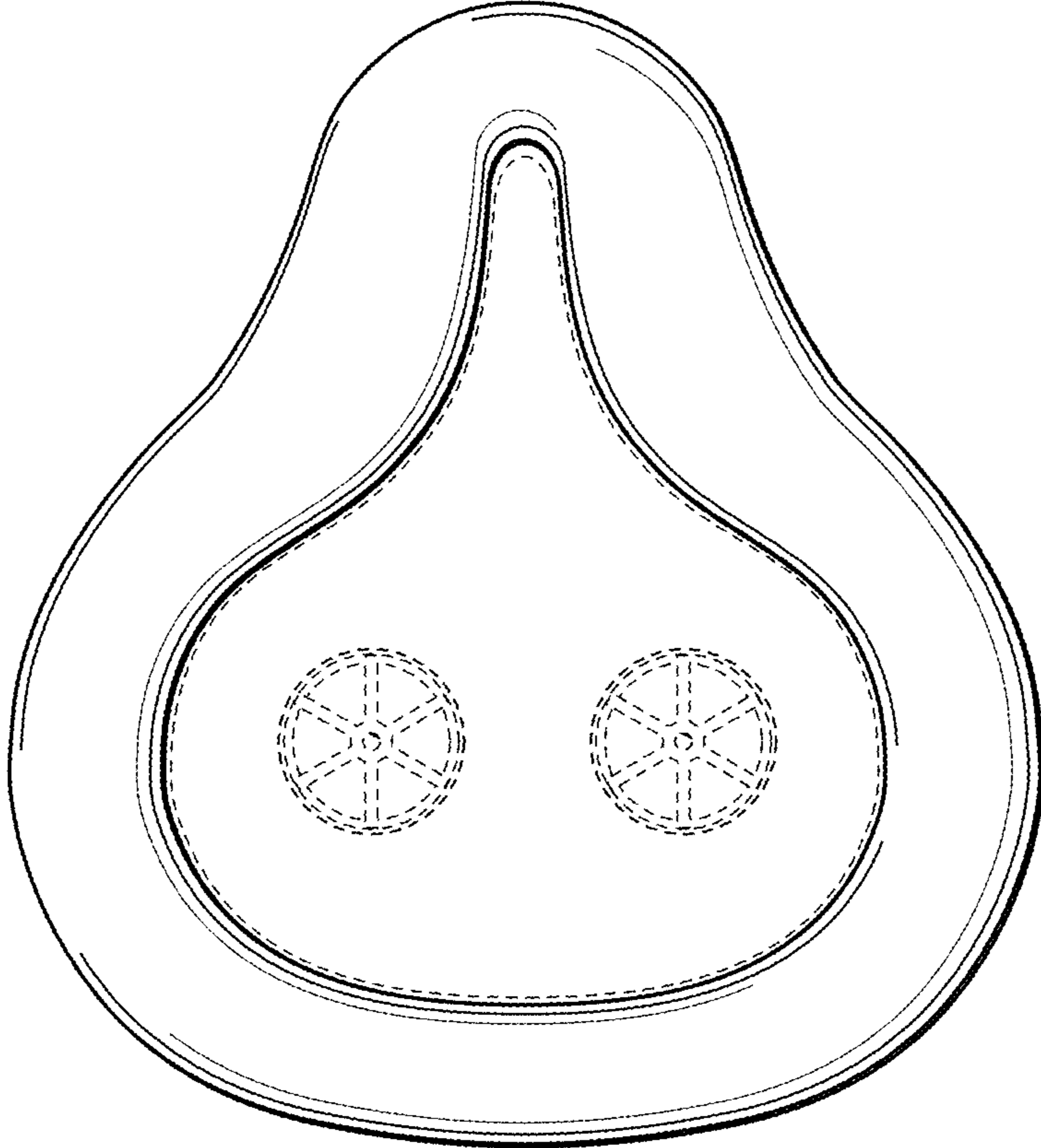
FIG. 2



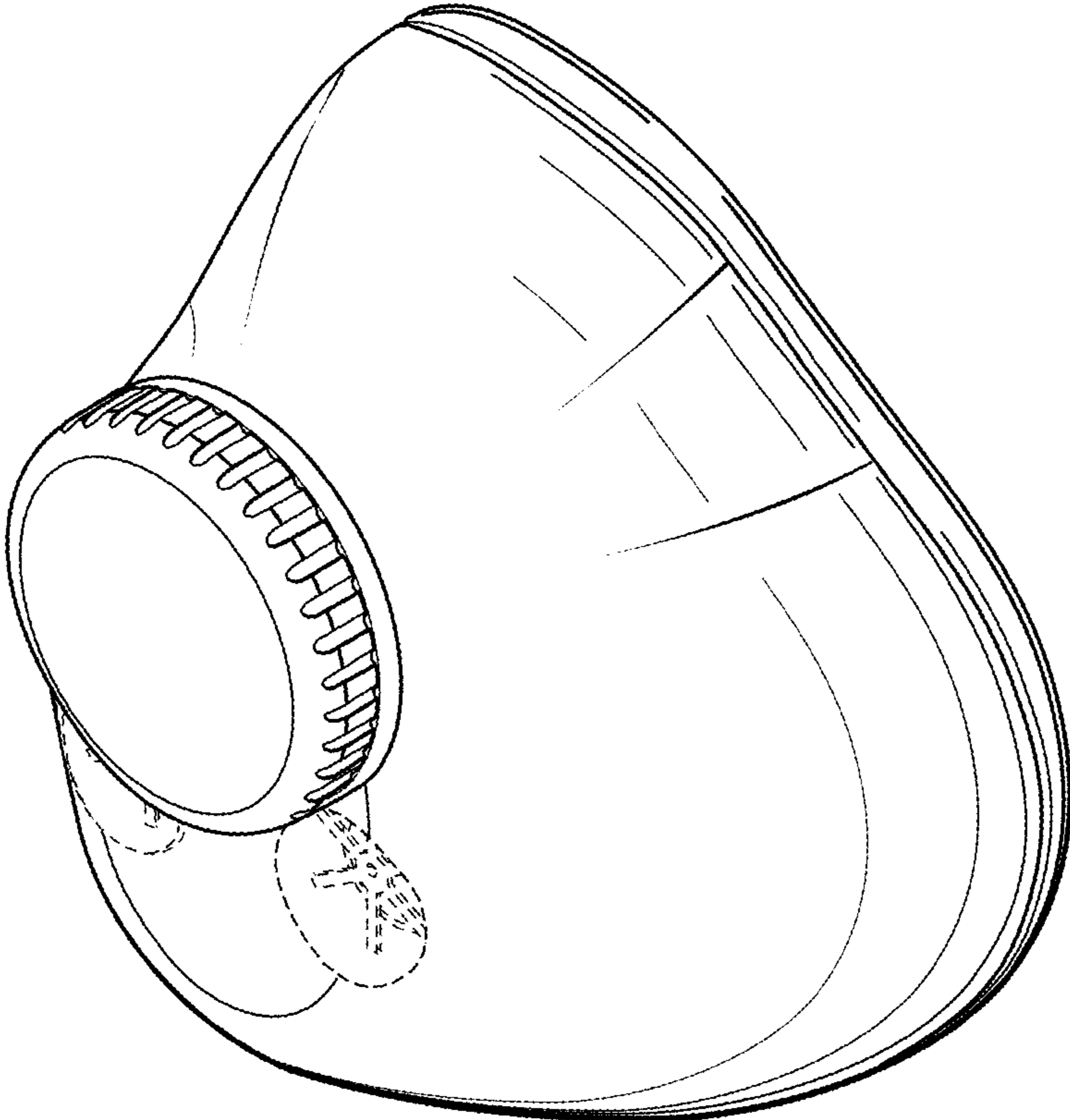
**FIG. 3**



**FIG. 4.**



**FIG. 5**



**FIG. 6**

