



US00D903096S

(12) **United States Design Patent** (10) **Patent No.:** **US D903,096 S**  
**Hotinsky** (45) **Date of Patent:** **\*\* Nov. 24, 2020**

- (54) **TONGUE RELEASE ORO-PHARYNGEAL AIRWAY**
- (71) Applicant: **Alexander Hotinsky**, Brooklyn, NY (US)
- (72) Inventor: **Alexander Hotinsky**, Brooklyn, NY (US)
- (\*\*) Term: **15 Years**
- (21) Appl. No.: **29/703,147**
- (22) Filed: **Aug. 23, 2019**
- (51) **LOC (12) Cl.** ..... **24-02**
- (52) **U.S. Cl.**  
USPC ..... **D24/110; D24/110.5**
- (58) **Field of Classification Search**  
USPC ..... D24/108, 110, 110.5, 164, 112  
CPC ..... A61M 16/0493; A61M 16/0495; A61M 16/0488; A61M 16/04; A61B 1/267  
See application file for complete search history.

(56) **References Cited**

U.S. PATENT DOCUMENTS

- 2,705,959 A \* 4/1955 Elmore ..... A61M 16/0495  
128/207.14
- 3,756,244 A \* 9/1973 Kinnear ..... A61M 16/0493  
128/207.14
- 3,908,665 A \* 9/1975 Moses ..... A61M 16/0493  
128/207.14
- D284,701 S \* 7/1986 Deenadayalu ..... D24/110
- 8,220,461 B1 \* 7/2012 Guerra ..... A61M 16/0488  
128/207.14
- D680,642 S \* 4/2013 Guerra ..... D24/110.5
- D701,962 S \* 4/2014 Chung ..... D24/164
- D858,747 S \* 9/2019 Ramdohr ..... D24/110
- 10,478,579 B1 \* 11/2019 Elton ..... A61M 16/0495

- D884,150 S \* 5/2020 Thomas ..... D24/110
- 10,682,481 B2 \* 6/2020 Gammon ..... A61M 16/0488
- 2010/0199998 A1 \* 8/2010 Matic ..... A61M 16/0493  
128/207.14
- 2012/0048278 A1 \* 3/2012 Yasick ..... A61M 16/0461  
128/207.14
- 2014/0069421 A1 \* 3/2014 Kuo ..... A61M 16/0493  
128/200.26
- 2014/0323896 A1 \* 10/2014 McCauley ..... A61B 5/0836  
600/531
- 2015/0013672 A1 \* 1/2015 Abdoue ..... A61M 16/0495  
128/200.26
- 2016/0206303 A1 \* 7/2016 Chaudhry ..... A61M 16/0495
- 2019/0232008 A1 \* 8/2019 McDonald ..... A61M 16/0493
- 2020/0261677 A1 \* 8/2020 Bezerra ..... A61M 16/0497
- 2020/0282164 A1 \* 9/2020 Thomas ..... A61M 16/0003

\* cited by examiner

*Primary Examiner* — Lilyana Bekic  
(74) *Attorney, Agent, or Firm* — Quickpatents, LLC; Kevin Prince

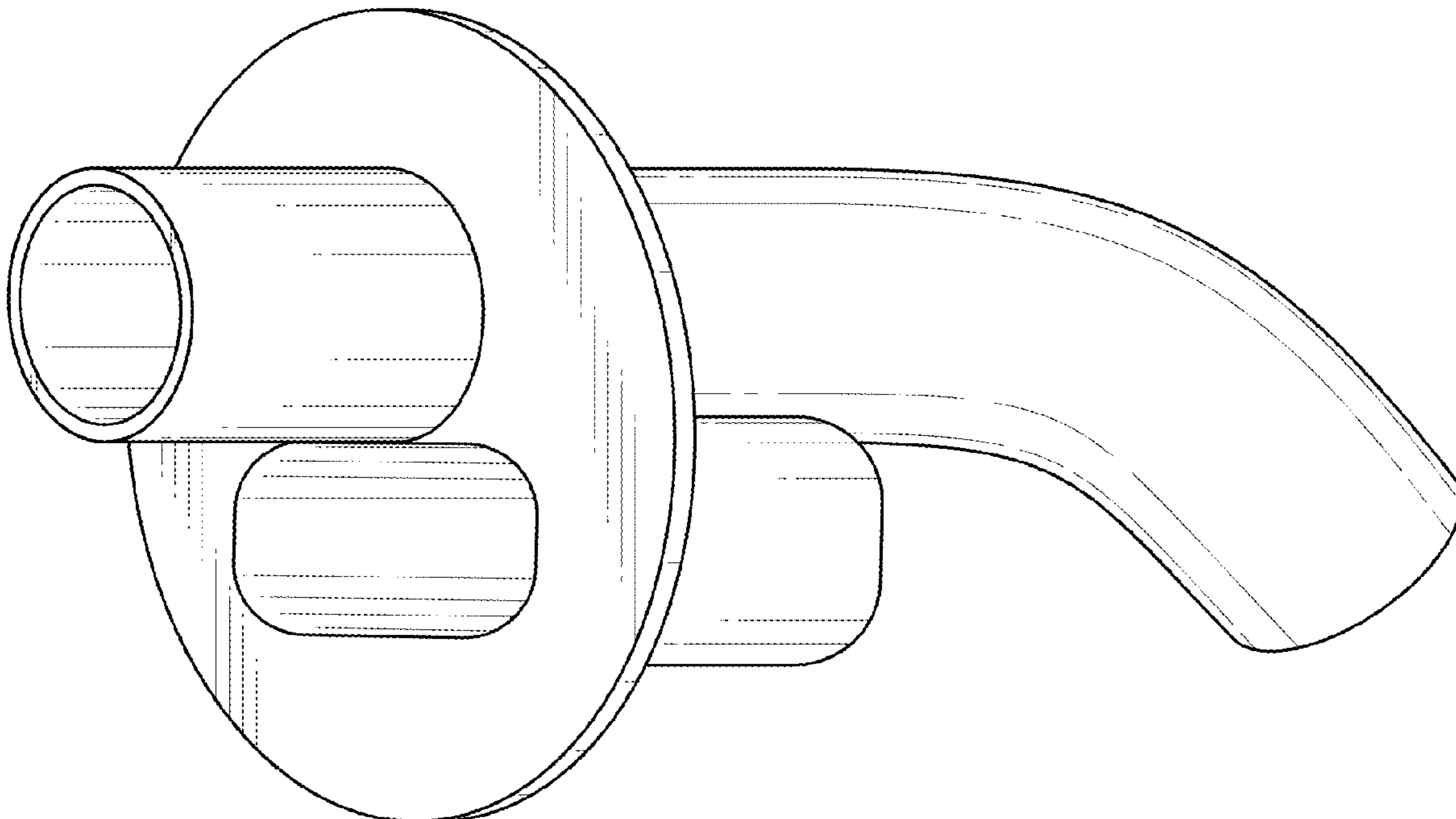
(57) **CLAIM**

The ornamental design for a tongue release oro-pharyngeal airway, as shown and described.

**DESCRIPTION**

FIG. 1 is a front perspective view of a tongue release oro-pharyngeal airway, showing my new design; FIG. 2 is a rear perspective view thereof; FIG. 3 is a front elevational view thereof; FIG. 4 is a rear elevational view thereof; FIG. 5 is a right-side elevational view thereof, the left-side elevational view being a mirror image thereof; FIG. 6 is a top plan view thereof; and, FIG. 7 is a bottom plan view thereof.

**1 Claim, 4 Drawing Sheets**



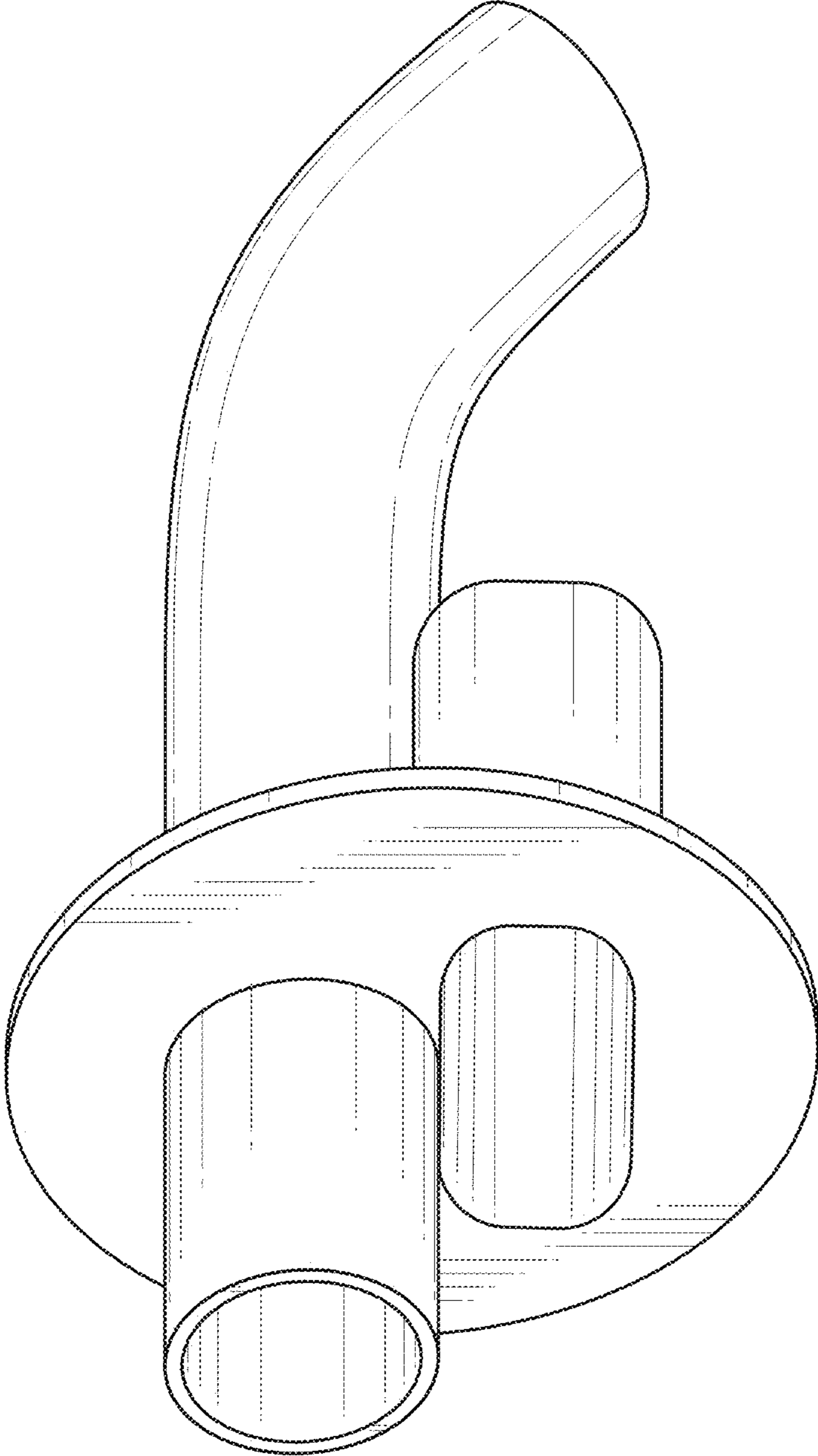


FIG. 1

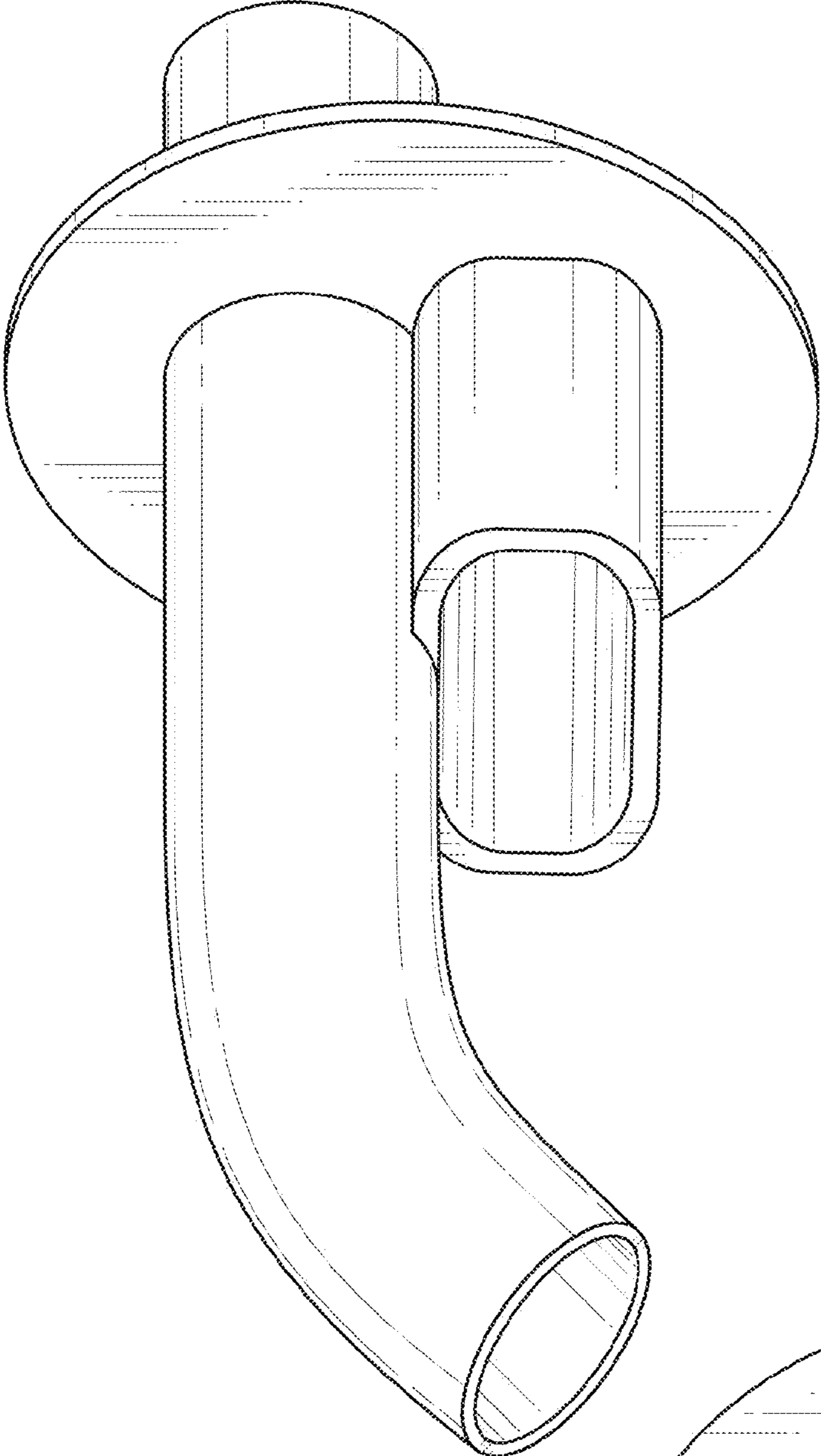


FIG. 2

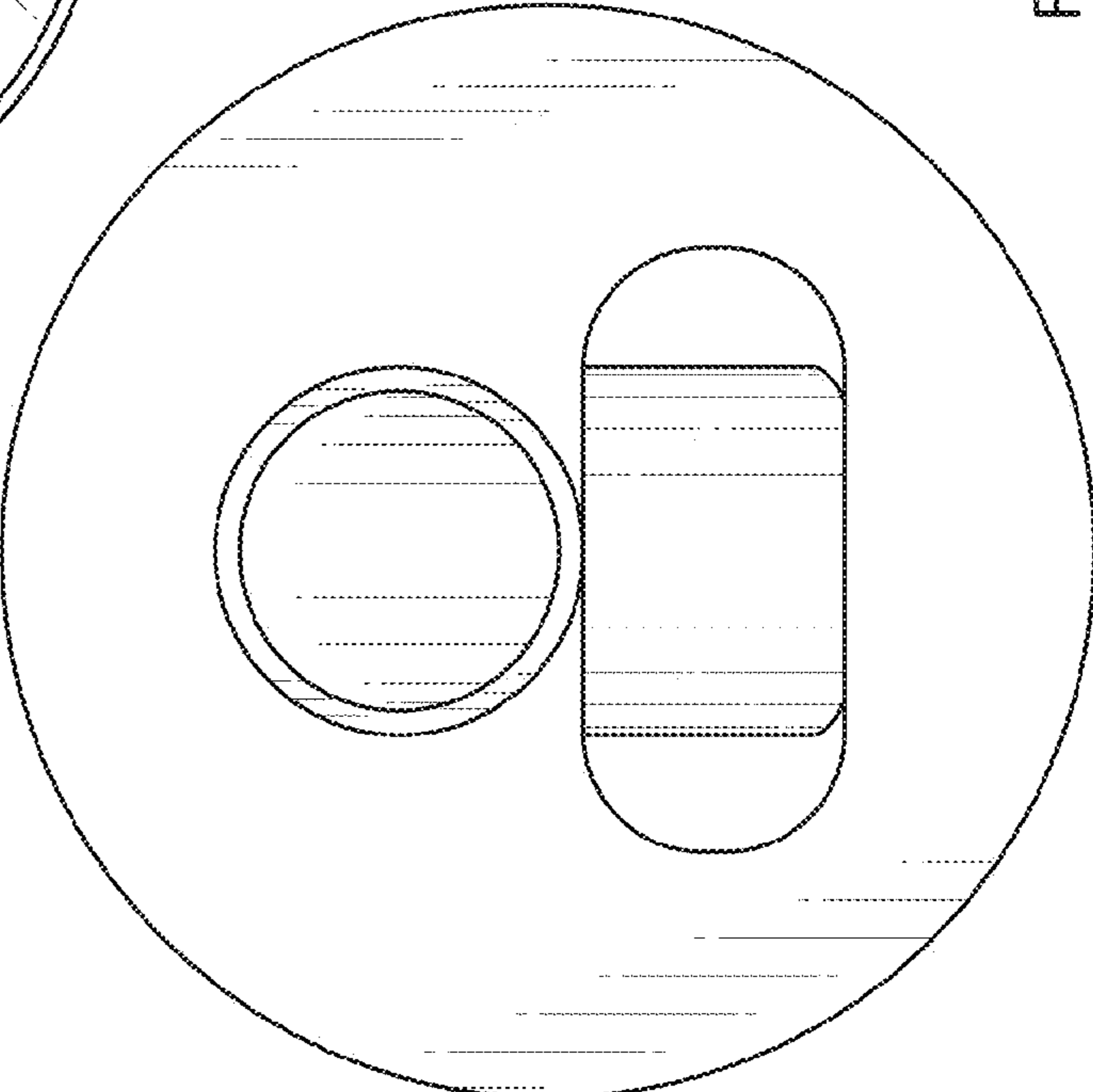


FIG. 3

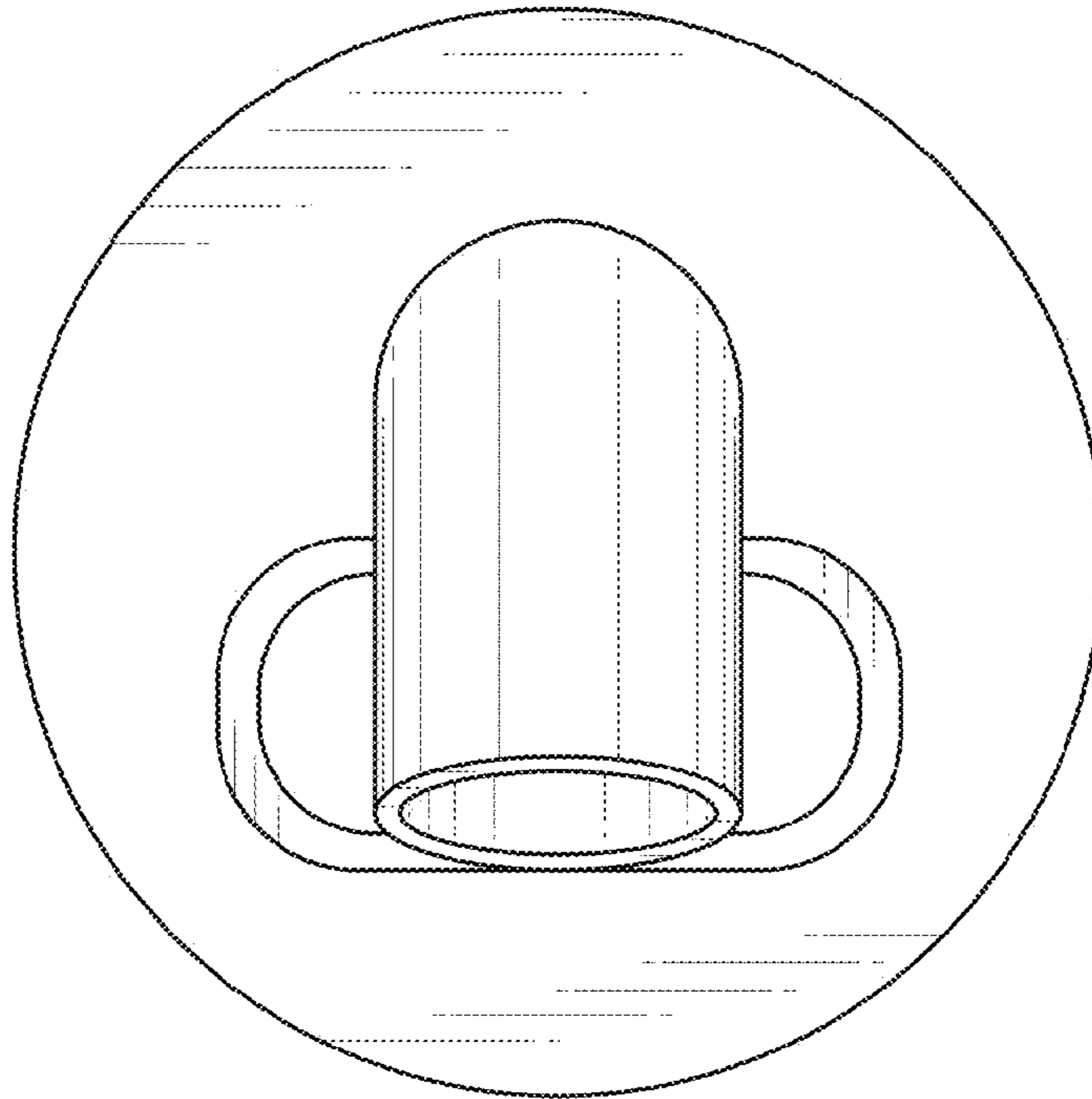


FIG. 4

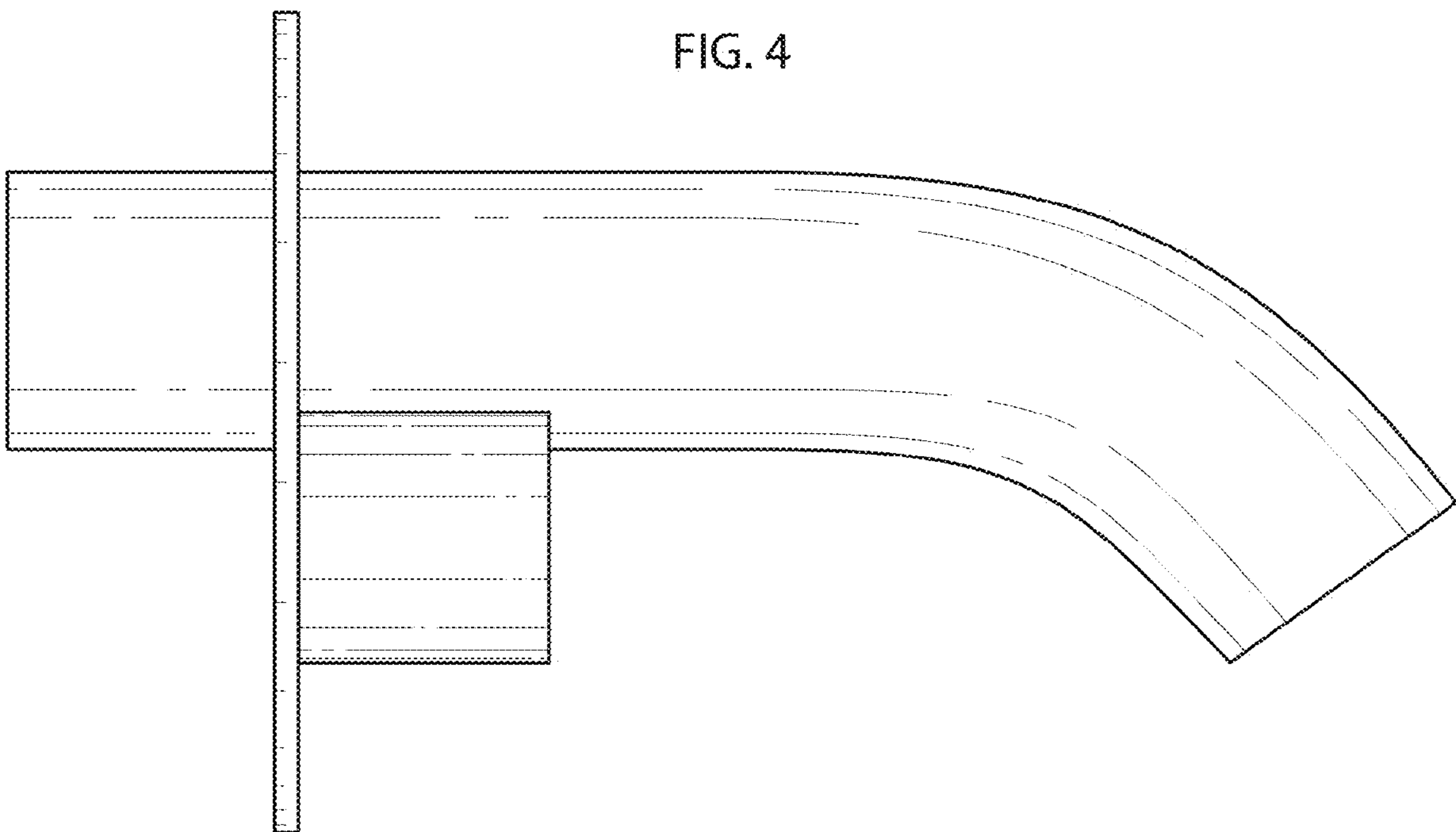


FIG. 5

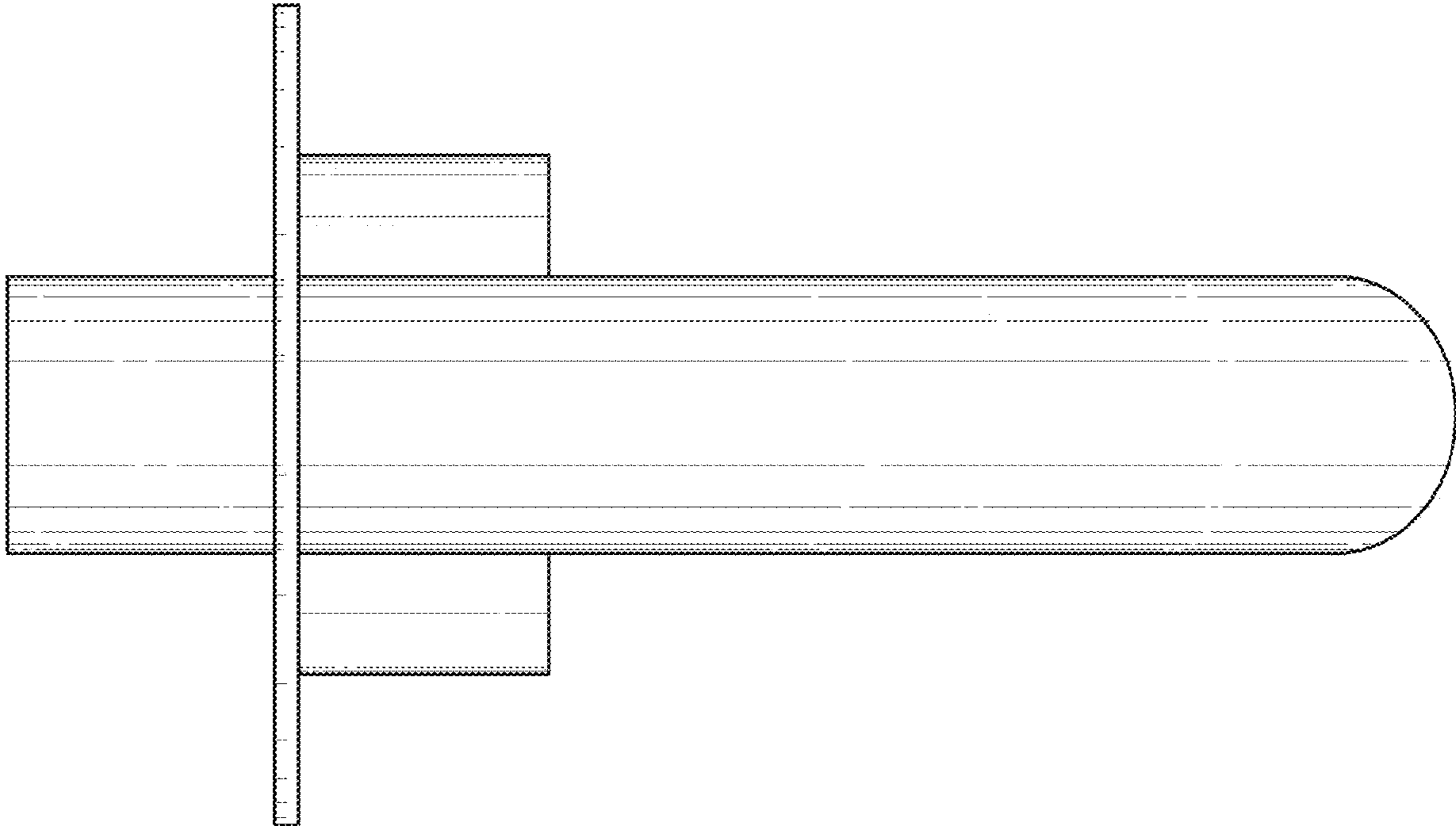


FIG. 6

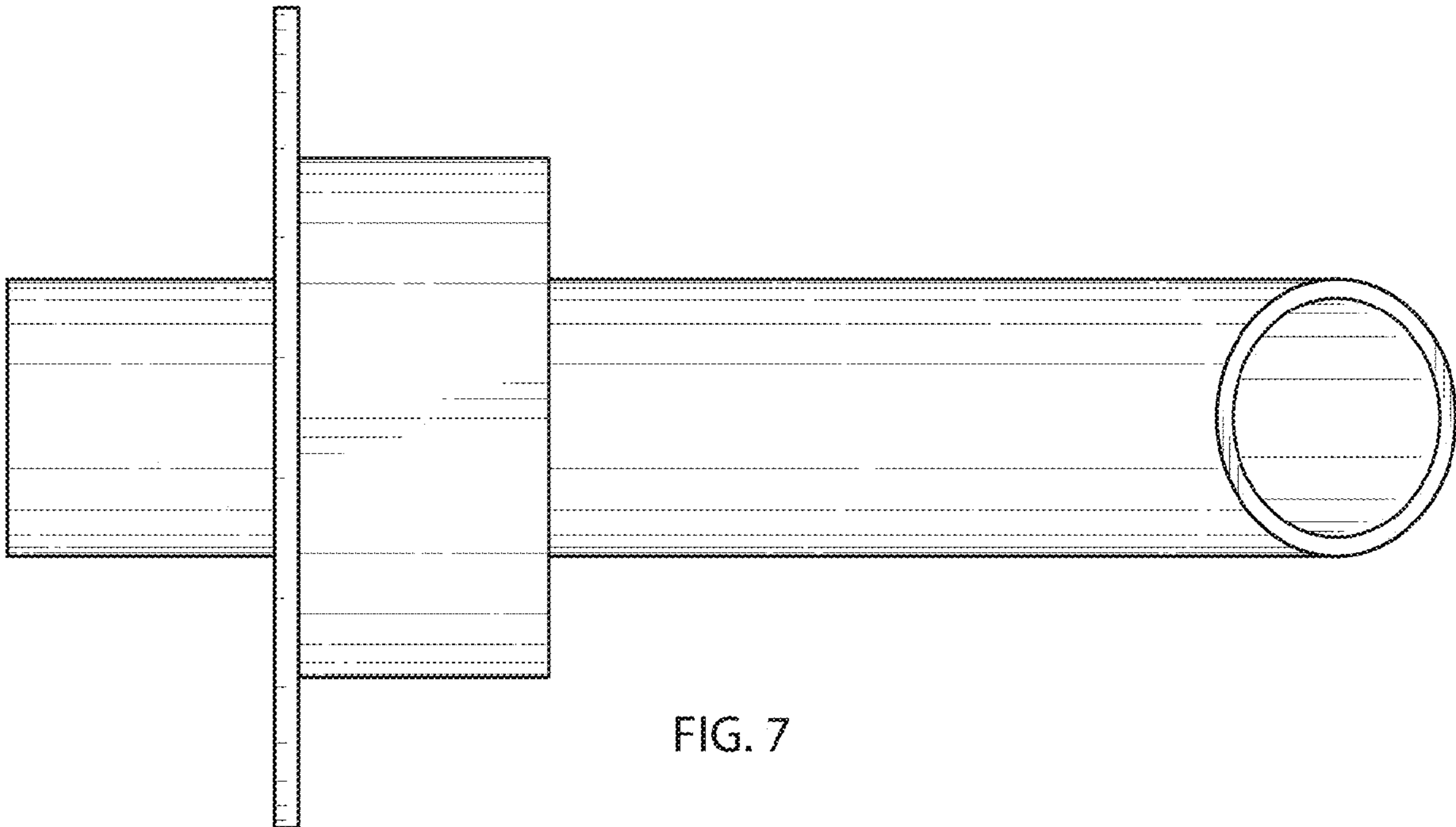


FIG. 7