



US00D903095S

(12) **United States Design Patent**
Boyle

(10) **Patent No.:** **US D903,095 S**

(45) **Date of Patent:** **** Nov. 24, 2020**

(54) **BREATHING TUBE WITH IN-LINE FILTER FOR LUNG DIAGNOSTICS**

(71) Applicant: **SDI Diagnostics Inc.**, South Easton, MA (US)

(72) Inventor: **Michael Boyle**, Easton, MA (US)

(73) Assignee: **SDI DIAGNOSTICS INC.**, South Easton, MA (US)

(**) Term: **15 Years**

(21) Appl. No.: **29/653,877**

(22) Filed: **Jun. 19, 2018**

(51) **LOC (12) Cl.** **24-04**

(52) **U.S. Cl.**
USPC **D24/110; D24/164**

(58) **Field of Classification Search**
USPC D24/107, 108, 127, 129, 110, 110.5, D24/110.6, 164
CPC A61B 5/08; A61B 5/091; A61B 5/087; A61B 5/097; A61B 5/0871

See application file for complete search history.

(56) **References Cited**

U.S. PATENT DOCUMENTS

D280,765 S *	9/1985	Alvino	D24/110
5,627,324 A *	5/1997	Shene	A61B 5/0871
				73/861.53
D440,651 S *	4/2001	Foran	D24/110
D492,772 S *	7/2004	Austin	D24/110
D511,210 S *	11/2005	Cardona Burrull	D24/110.5
D542,913 S *	5/2007	Aspinal	D24/110
D557,788 S *	12/2007	Eloranta	24/110
D574,951 S *	8/2008	Reusch	D24/108
D583,929 S *	12/2008	Reusch	D24/108
D659,835 S *	5/2012	Benson	D24/164
D692,140 S *	10/2013	Alvino	D24/164
D744,655 S *	12/2015	Benson	D24/164
D775,347 S *	12/2016	Buess	D24/164

D775,348 S *	12/2016	Buess	D24/164
D775,349 S *	12/2016	Buess	D24/164
D775,350 S *	12/2016	Buess	D24/164
D775,733 S *	1/2017	Buess	D24/164
D779,071 S *	2/2017	Warner, III	D24/164
D812,736 S *	3/2018	Parker	D24/110
D833,014 S *	11/2018	Pilat	D24/164
D852,959 S *	7/2019	Kim	D24/164
D870,290 S *	12/2019	Benson	D24/164

(Continued)

OTHER PUBLICATIONS

Filtrette. SDI Diagnostics. Date accessed: May 20, 2020. Retrieved from Internet: <https://www.sdidiagnostics.com/products/82-supplies/filtrette-system> (Year: 2020).*

Primary Examiner — Lilyana Bekic

(74) *Attorney, Agent, or Firm* — Adler Pollock & Sheehan P.C.

(57) **CLAIM**

The ornamental design for a breathing tube with in-line filter for lung diagnostics, as shown and described.

DESCRIPTION

FIG. 1 is a side perspective view of a breathing tube with in-line filter for lung diagnostics, according to my new design.

FIG. 2 is a front view thereof.

FIG. 3 is a back view thereof.

FIG. 4 is a left view thereof.

FIG. 5 is a right view thereof.

FIG. 6 is a top view thereof.

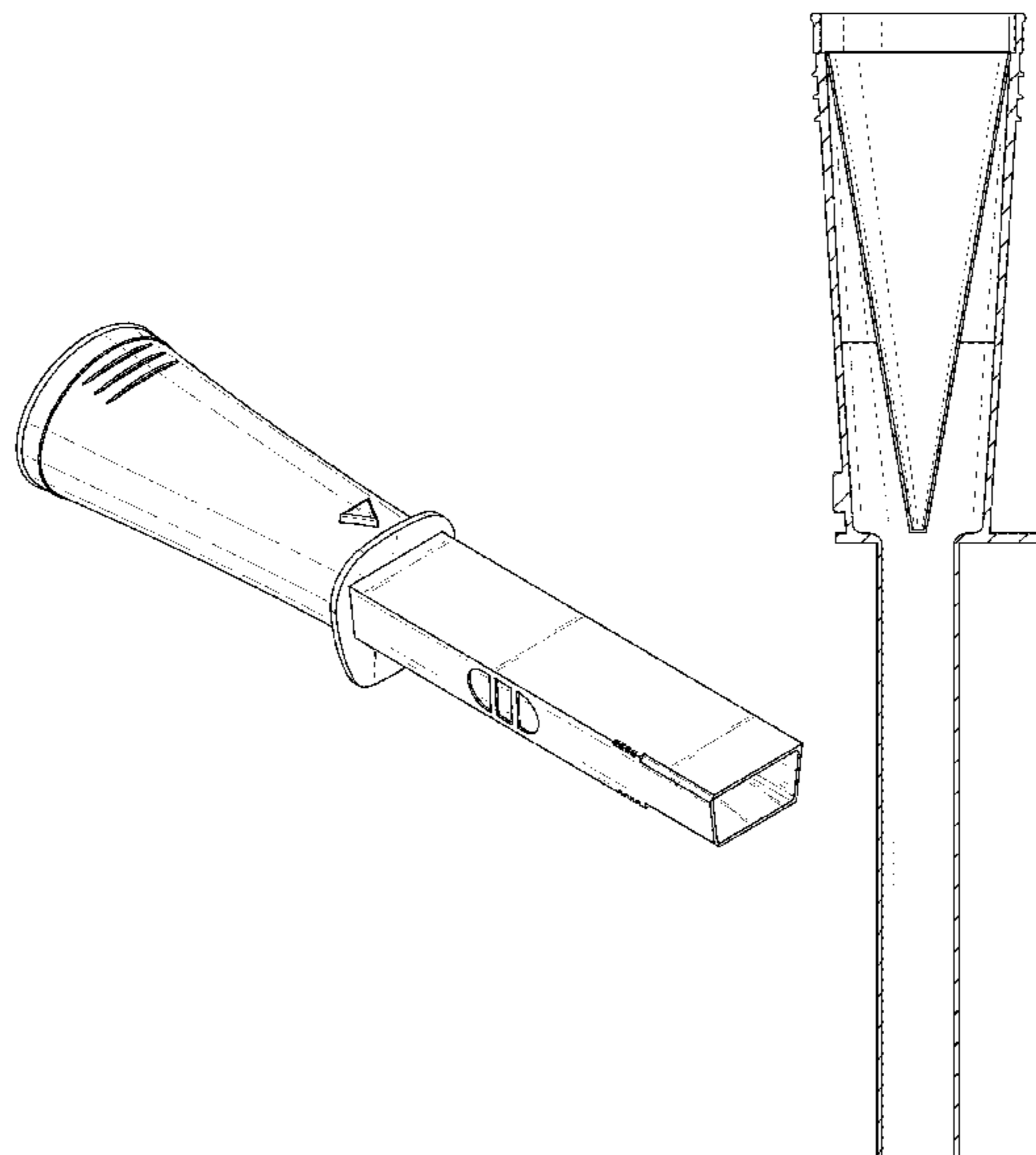
FIG. 7 is a bottom view thereof.

FIG. 8 is a front perspective view thereof.

FIG. 9 is a bottom perspective view thereof; and,

FIG. 10 is a cross section view taken in the direction of line 10-10 of FIG. 8.

1 Claim, 9 Drawing Sheets



(56)

References Cited

U.S. PATENT DOCUMENTS

2016/0128608 A1* 5/2016 Buess G01F 1/662
600/532
2018/0333076 A1* 11/2018 Kleinhapl A61B 5/087
2019/0254534 A1* 8/2019 Koltowski A61B 5/087

* cited by examiner

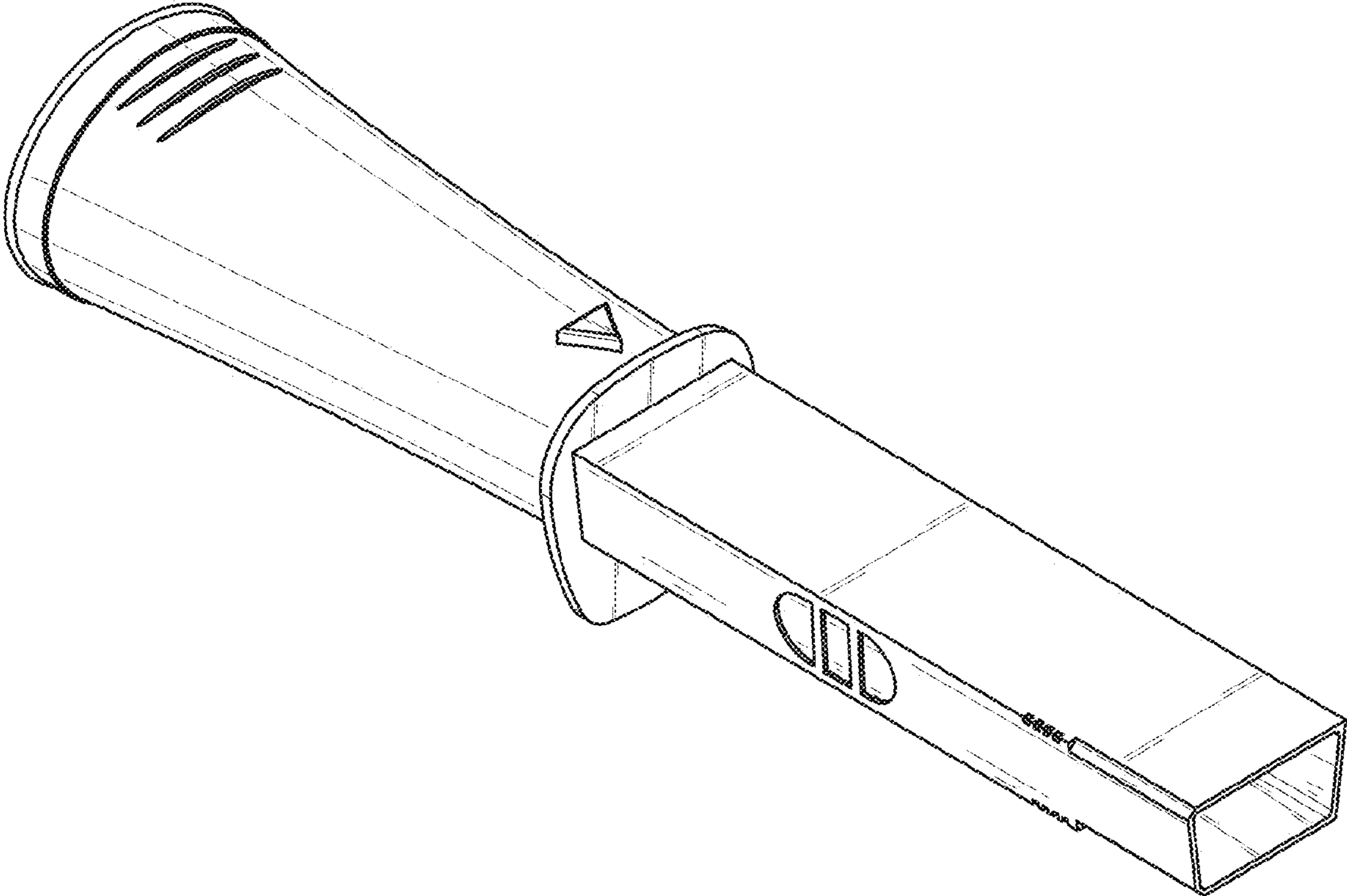


FIG. 1

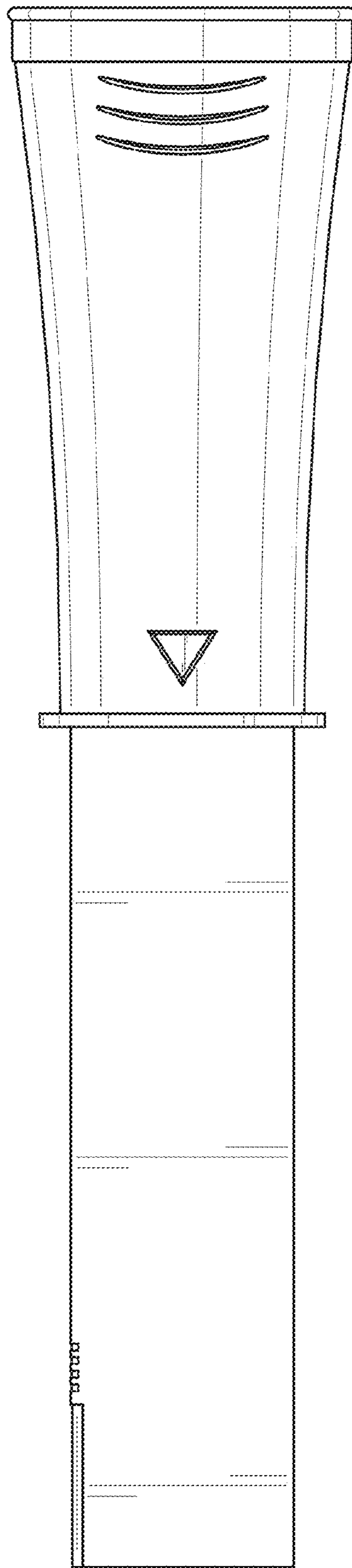


FIG. 2

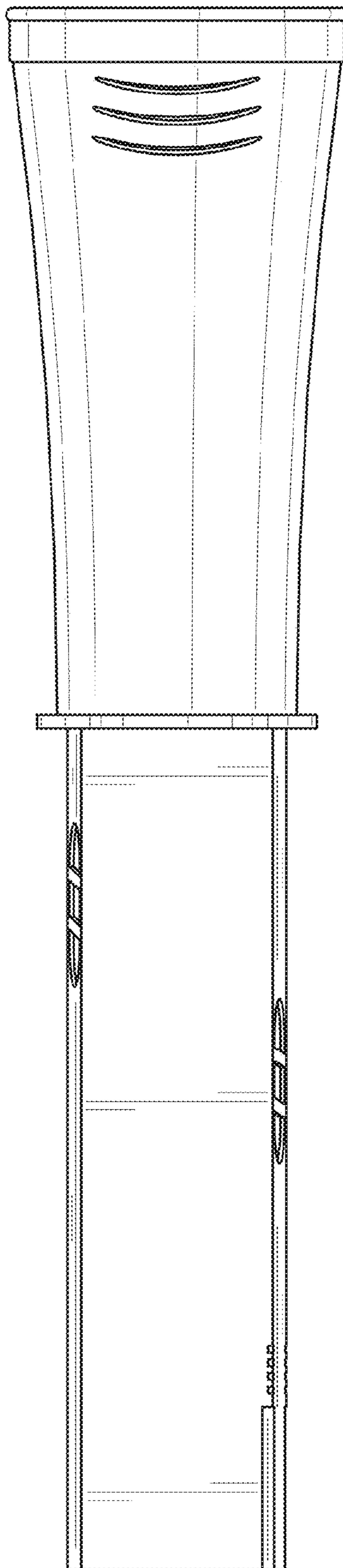


FIG. 3

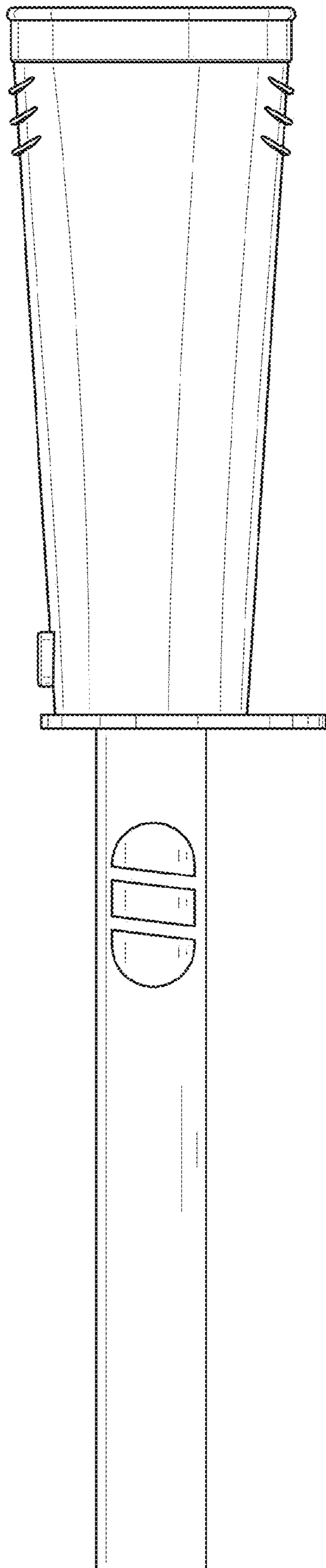


FIG. 4

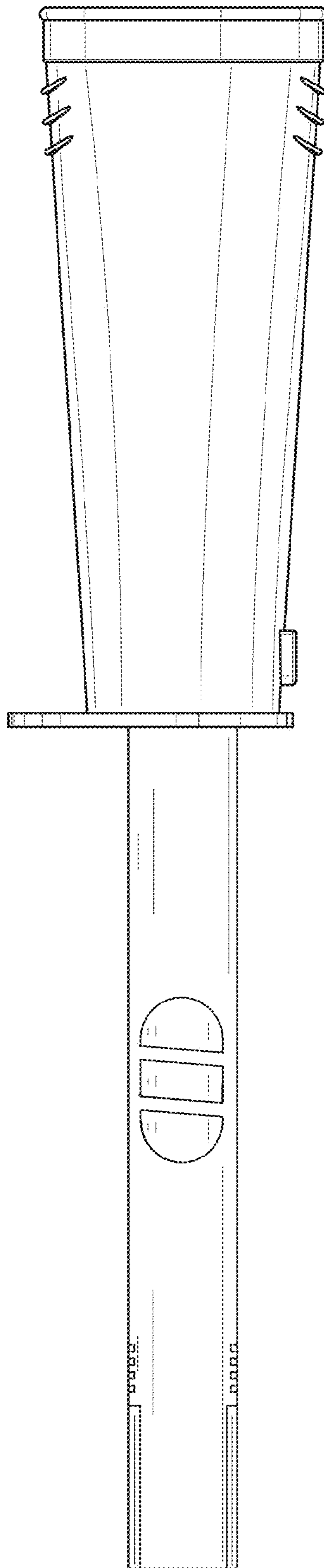


FIG. 5

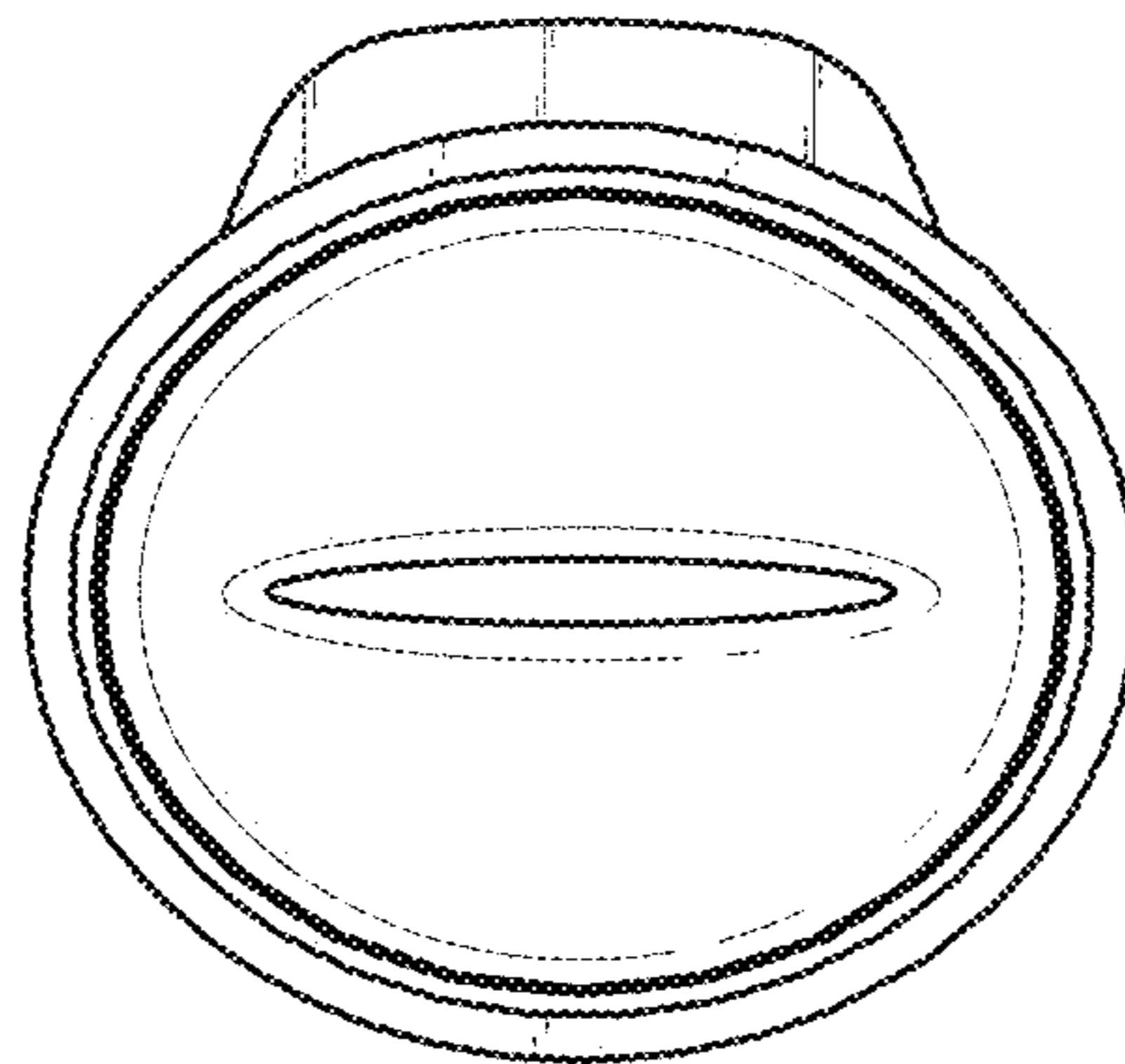


FIG. 6

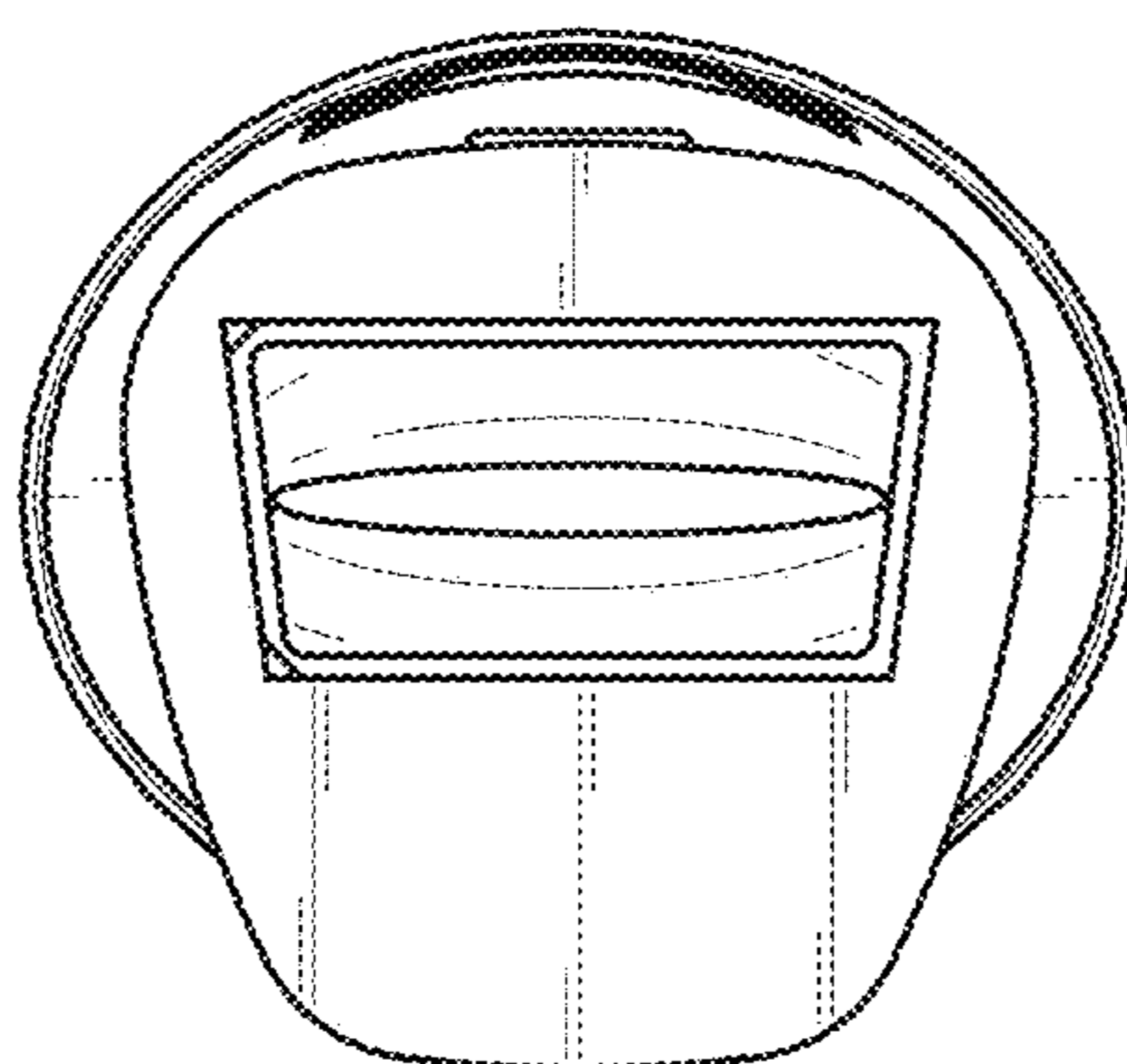


FIG. 7

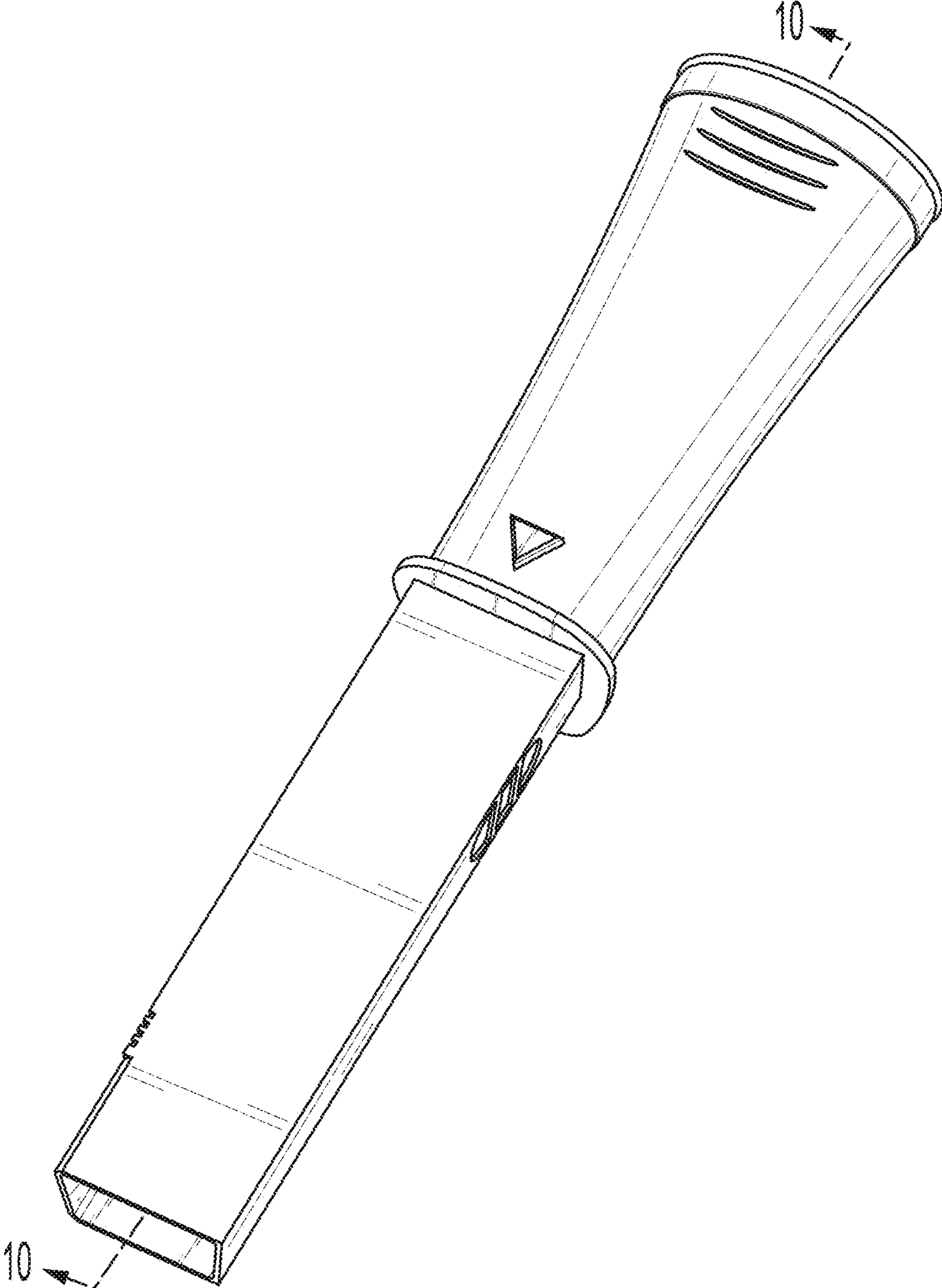


FIG. 8

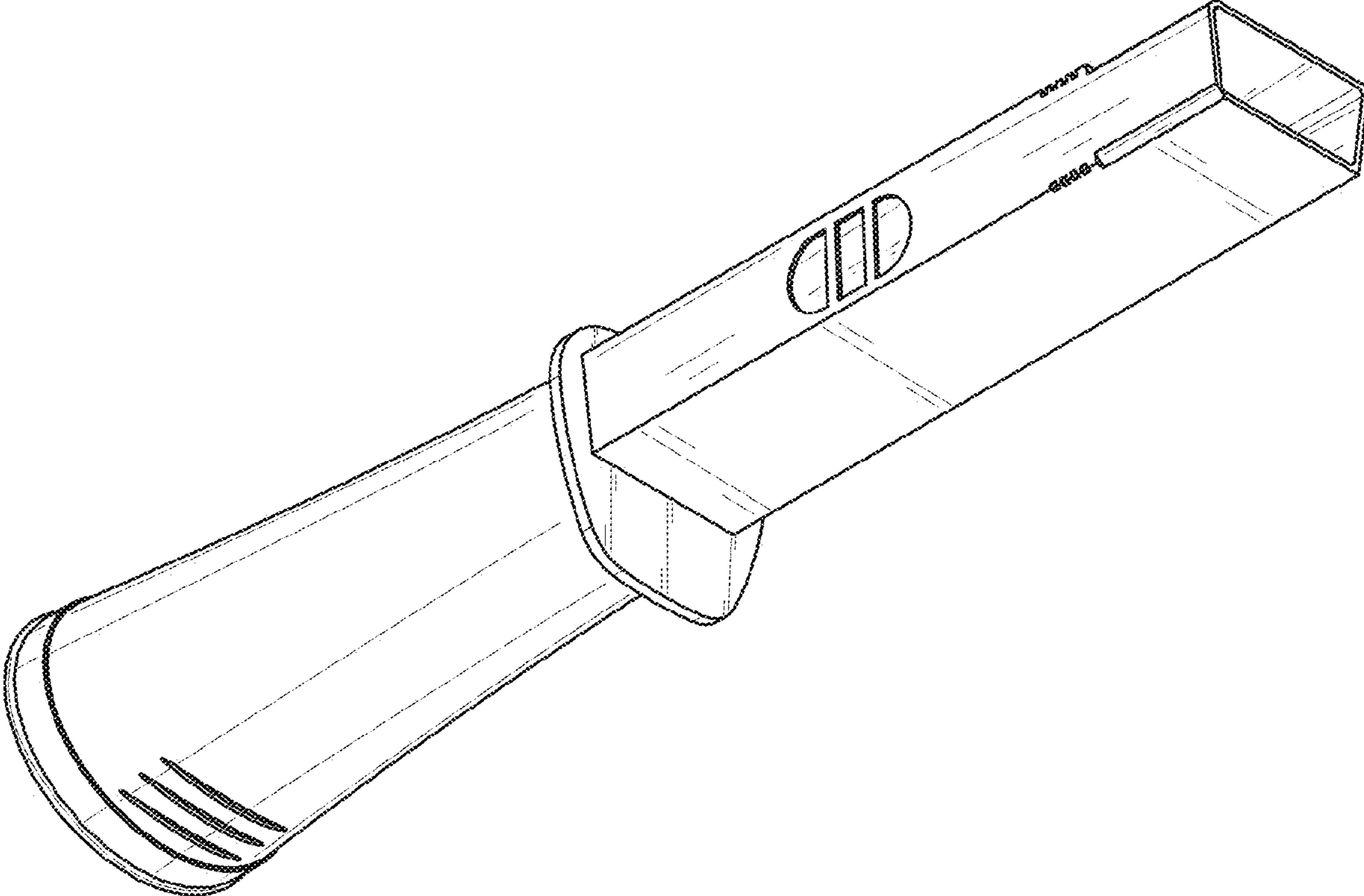


FIG. 9

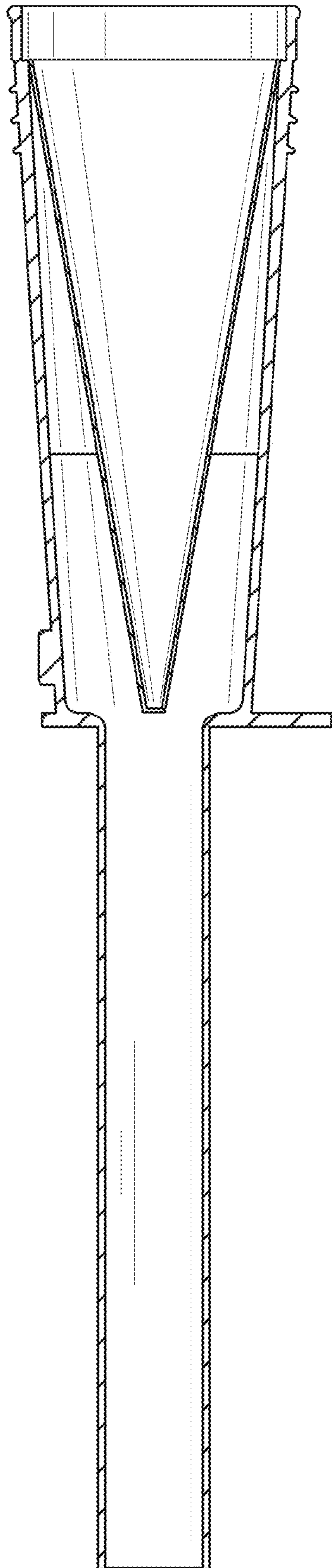


FIG. 10