



(12) **United States Design Patent**
Holland et al.

(10) **Patent No.:** **US D903,089 S**
(45) **Date of Patent:** **** Nov. 24, 2020**

(54) **LOW PROFILE VENT**

DESCRIPTION

- (71) Applicant: **Air Vent, Inc.**, Dallas, TX (US)
- (72) Inventors: **Robert B. Holland**, Rowlett, TX (US);
Grayson M. Griffin, Grand Prairie, TX (US)
- (73) Assignee: **Air Vent, Inc.**, Dallas, TX (US)
- (**) Term: **15 Years**
- (21) Appl. No.: **29/637,682**
- (22) Filed: **Feb. 21, 2018**
- (51) **LOC (12) Cl.** **23-03**
- (52) **U.S. Cl.**
USPC **D23/393**
- (58) **Field of Classification Search**
USPC D23/387, 354, 393, 419
(Continued)

(56) **References Cited**

U.S. PATENT DOCUMENTS

- D30,059 S * 1/1899 Tracey D23/387
 - D549,316 S 8/2007 O'Hagin et al.
- (Continued)

OTHER PUBLICATIONS

YouTube.com—Air Vent Inc, Air Vent Inc.—ShadowHawk Smoke House Demonstration, Posted Jul. 2, 2018, [site visited Jan. 5, 2020], Available on the Internet URL <https://www.youtube.com/watch?v=s1uCDN1NvOc> (Year: 2018).*

(Continued)

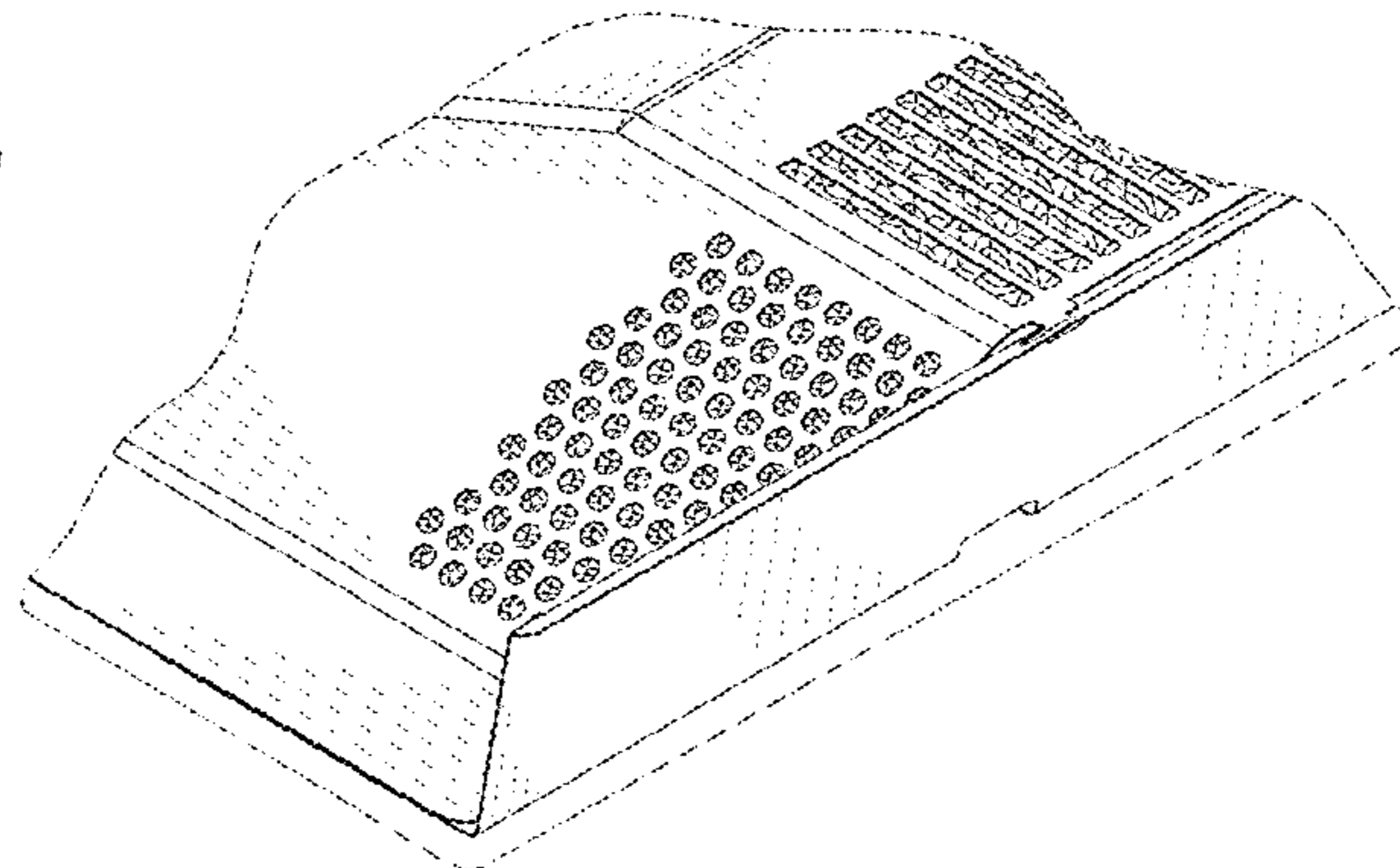
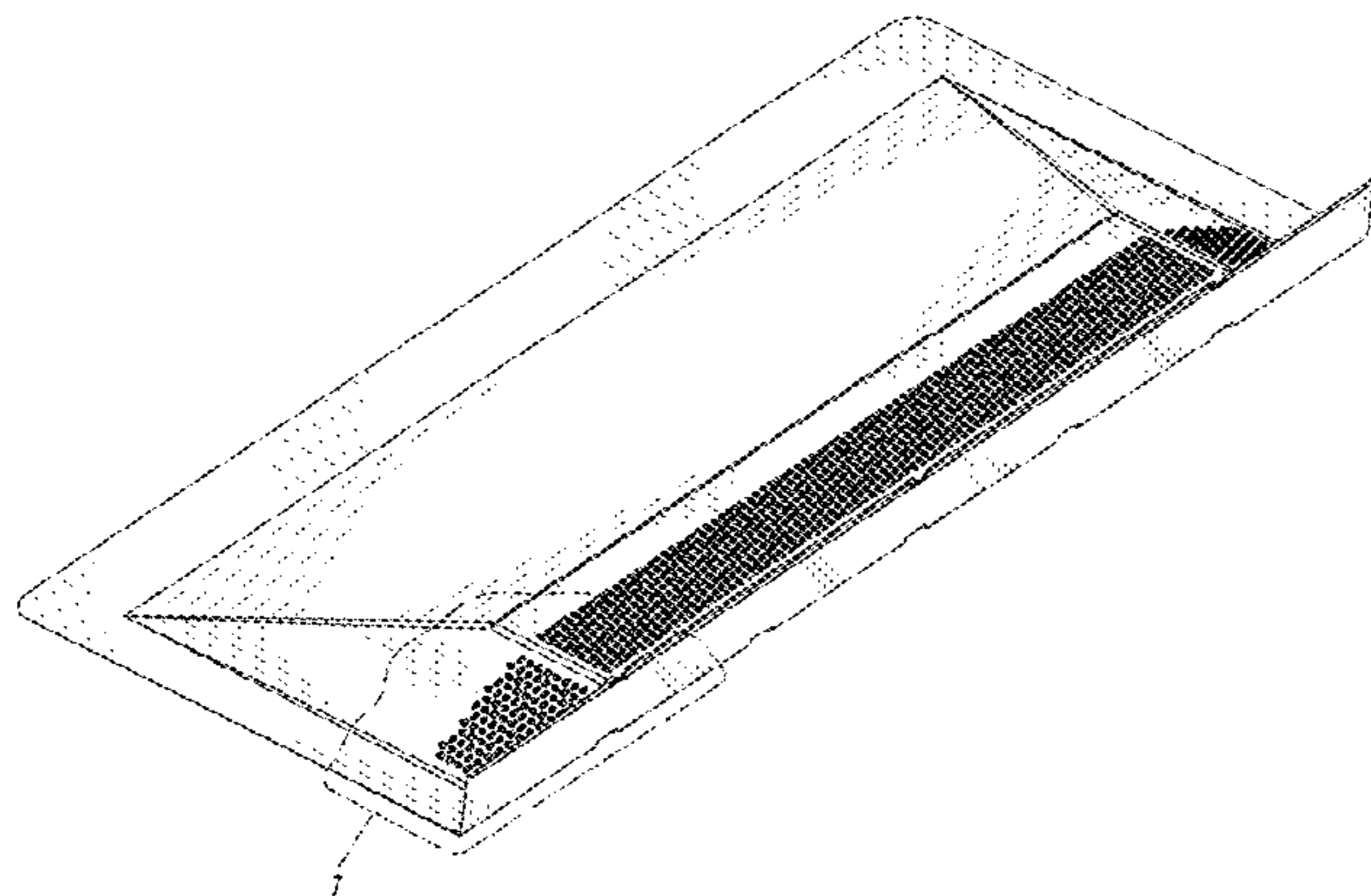
Primary Examiner — Karen S Acker
Assistant Examiner — Steven B Reinholdt, Jr.
(74) *Attorney, Agent, or Firm* — Duane Morris LLP

(57) **CLAIM**

We claim the ornamental design for a low profile vent, as shown and described.

FIG. 1 is a perspective view of a first embodiment of a low profile vent showing our new design.
FIG. 2 is a top view of the low profile vent of FIG. 1.
FIG. 3 is a bottom view of the low profile vent of FIG. 1.
FIG. 4 is a rear elevation view of the low profile vent of FIG. 1.
FIG. 5 is a front elevation view of the low profile vent of FIG. 1.
FIG. 6 is a left side elevation view of the low profile vent of FIG. 1. The right side elevation view of the low profile vent is a mirror image of the left side elevation view.
FIG. 7 is an enlarged view taken from area 7 circumscribed within FIG. 1.
FIG. 8 is a perspective view of a second embodiment of a low profile vent showing our new design.
FIG. 9 is a top view of the low profile vent of FIG. 8.
FIG. 10 is a bottom view of the low profile vent of FIG. 8.
FIG. 11 is a rear elevation view of the low profile vent of FIG. 8.
FIG. 12 is a front elevation view of the low profile vent of FIG. 8; and,
FIG. 13 is a left side elevation view of the low profile vent of FIG. 8. The right side elevation view of the low profile vent is a mirror image of the left side elevation view.
The ornamental portions of a fibrous filter are visible through the vent openings in the first embodiment of FIGS. 1-7. Undisclosed surfaces of the fibrous filter not visible through the vent openings form no part of the claimed design.
The evenly spaced broken lines and the areas within them in the drawings depict portions of the low profile vent that form no part of the claimed design.
The dot-dash-dot broken lines in FIGS. 1 and 7 denote the boundaries of the enlargement that form no part of the claimed design.
The dot-dot-dash broken line in FIGS. 3 and 10 denotes the boundary of the claim that forms no part thereof.

1 Claim, 11 Drawing Sheets



(58) **Field of Classification Search**

CPC F24F 7/00; F24F 7/02; F24F 7/10
See application file for complete search history.

(56) **References Cited**

U.S. PATENT DOCUMENTS

D574,947	S	*	8/2008	Grisham	D23/393
D755,944	S	*	5/2016	Daniels	D23/373
D812,216	S	*	3/2018	Langford	D23/393
D827,122	S	*	8/2018	Heinrichs	D23/393
D828,536	S	*	9/2018	Couto	D23/393
D841,797	S	*	2/2019	Daniels	D23/393
D850,610	S	*	6/2019	Drummond	D23/393
2005/0233691	A1	*	10/2005	Horton	E04D 13/17
						454/366
2014/0248834	A1	*	9/2014	Kolt	F24F 7/02
						454/366
2017/0284688	A1	*	10/2017	Langford	F24F 7/02
2018/0216845	A1	*	8/2018	Whitehead	F24F 13/10

OTHER PUBLICATIONS

Air Vent Inc website, Shadowhawk Low-Profile Vent, Earliest publication date on Wayback Machine Jun. 9, 2019, [site visited Jan. 5, 2020], Available on the Internet URL <https://web.archive.org/web/20190609001442/http://airvent.com/stageit/index.php/products/exhaust-vents/static-vents/shadowhawk> (Year: 2019).*

Printouts from website: <http://ablemetal.com/gliders-vent/>, (accessed on Feb. 21, 2018), pp. 1-10.

* cited by examiner

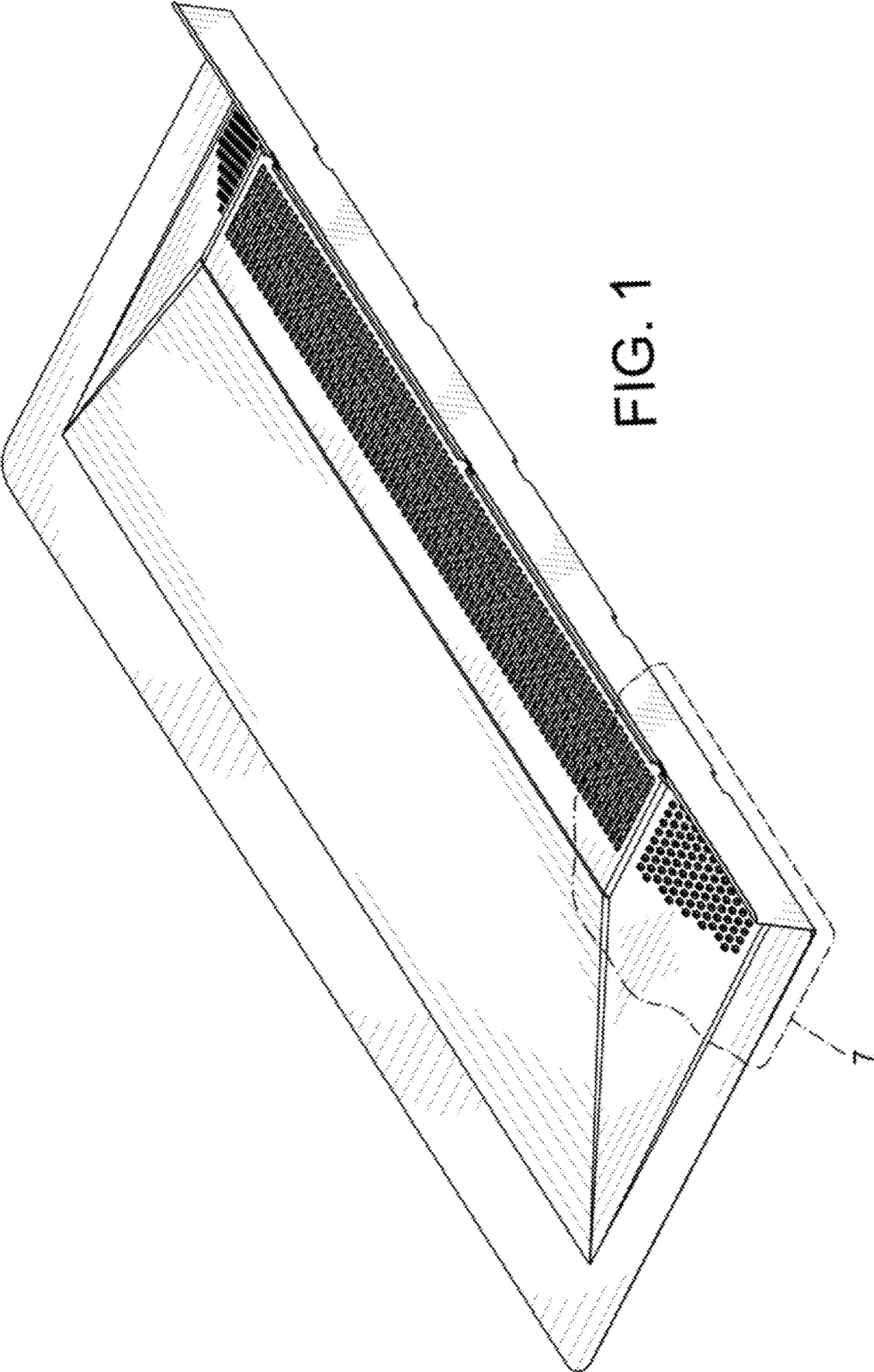


FIG. 1

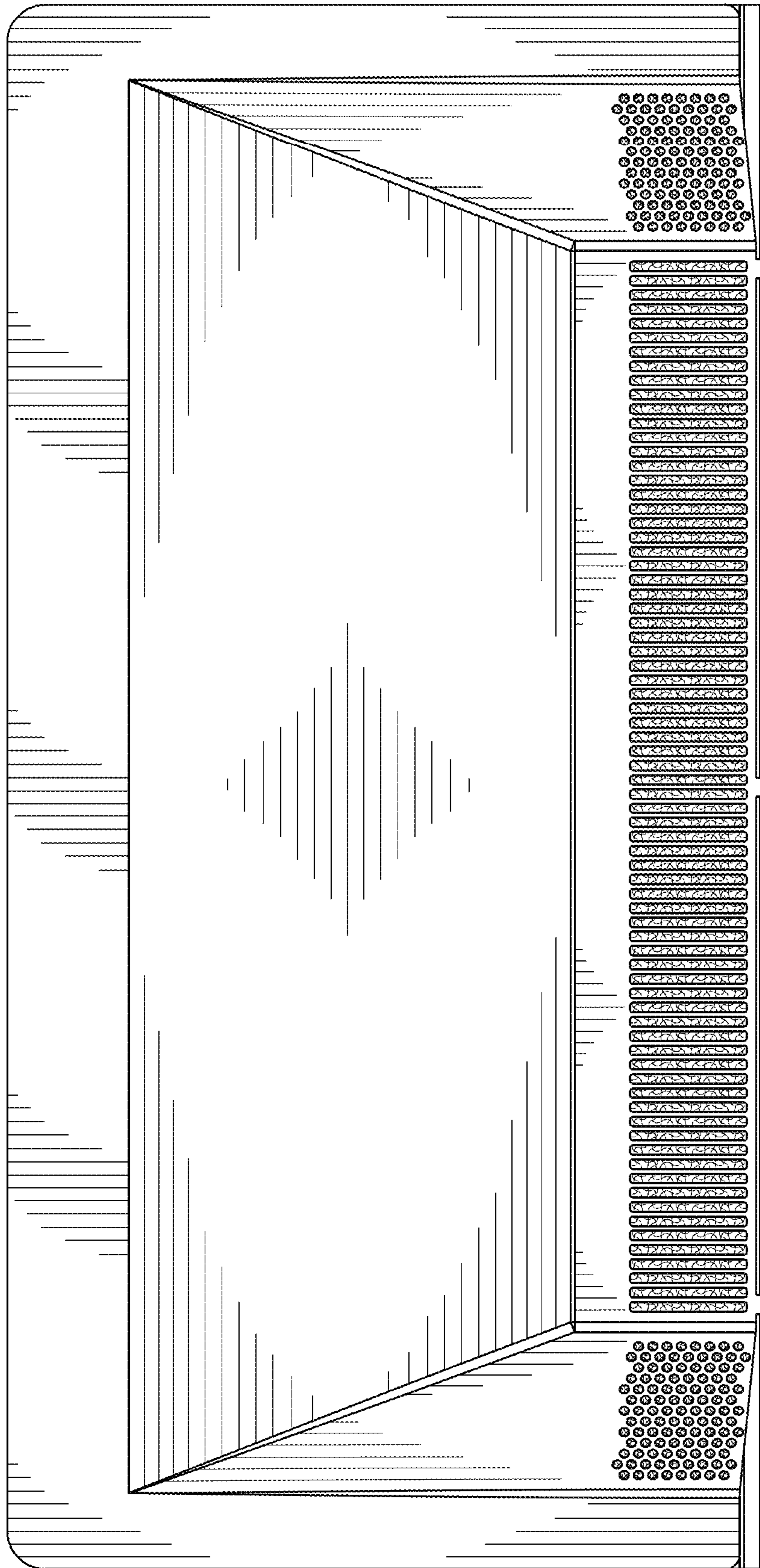


FIG. 2

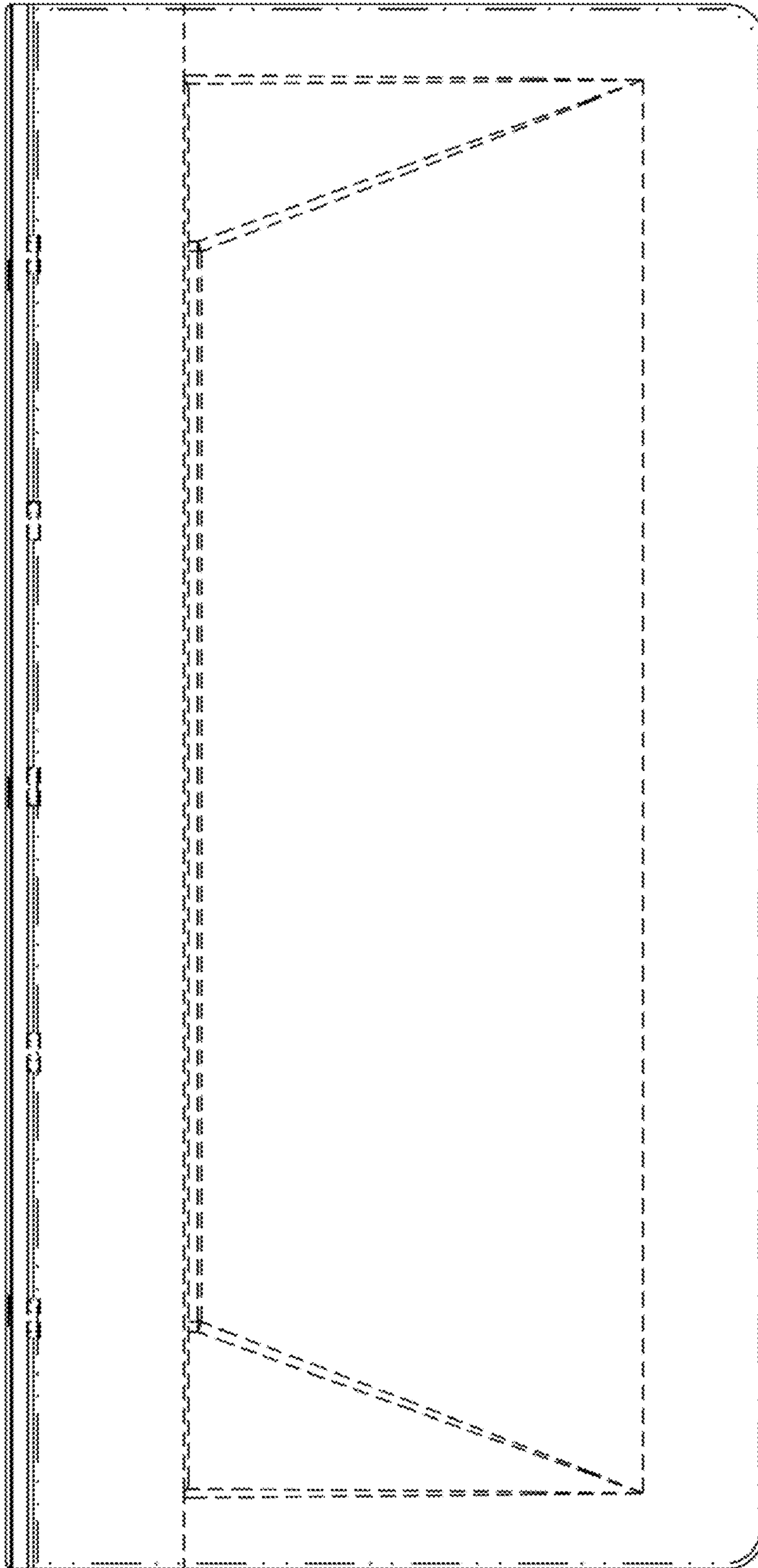


FIG. 3

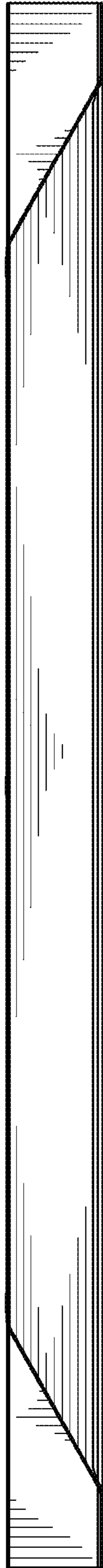


FIG. 4

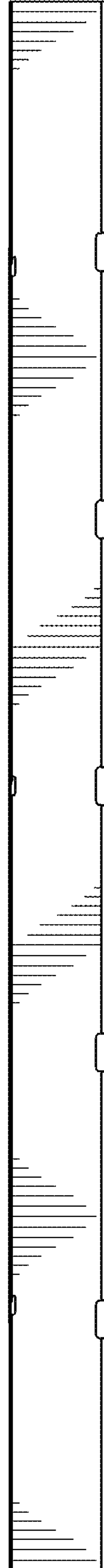


FIG. 5

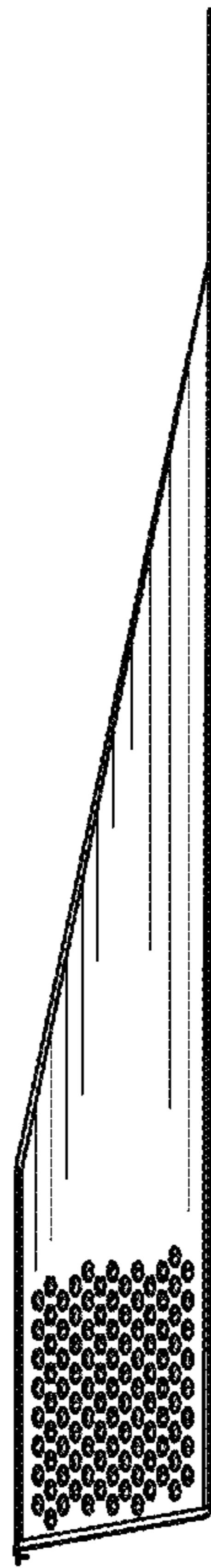


FIG. 6

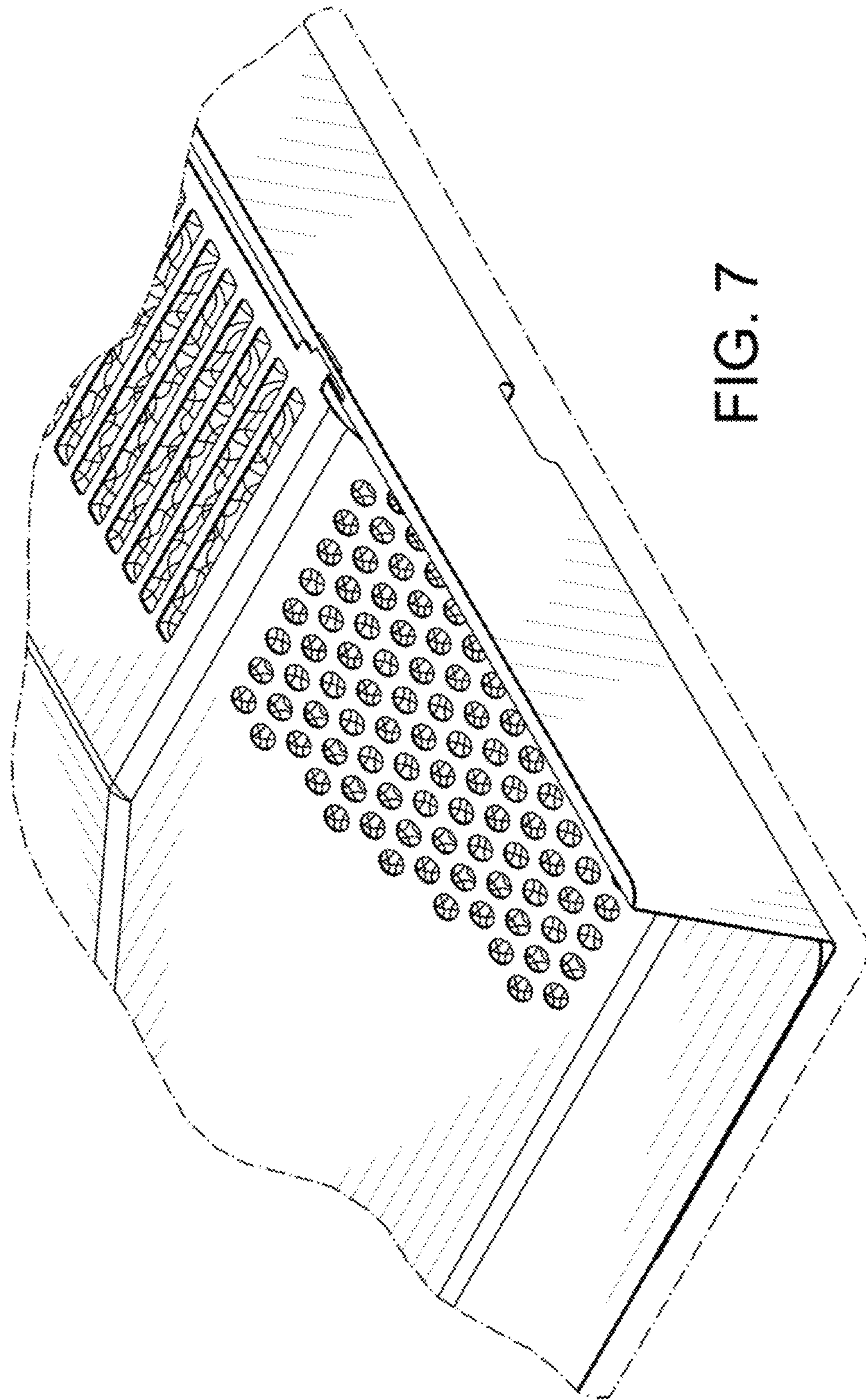


FIG. 7

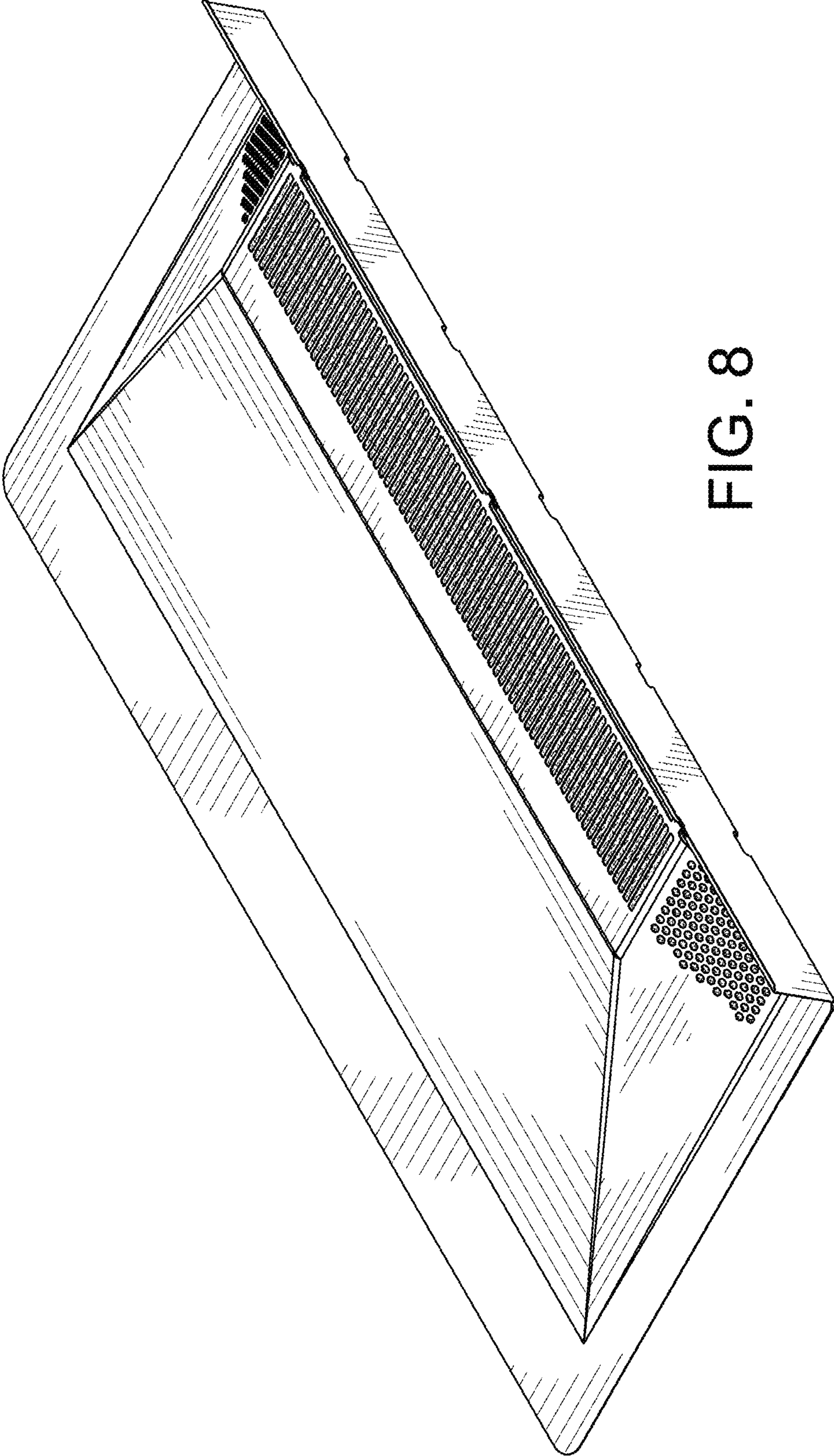


FIG. 8

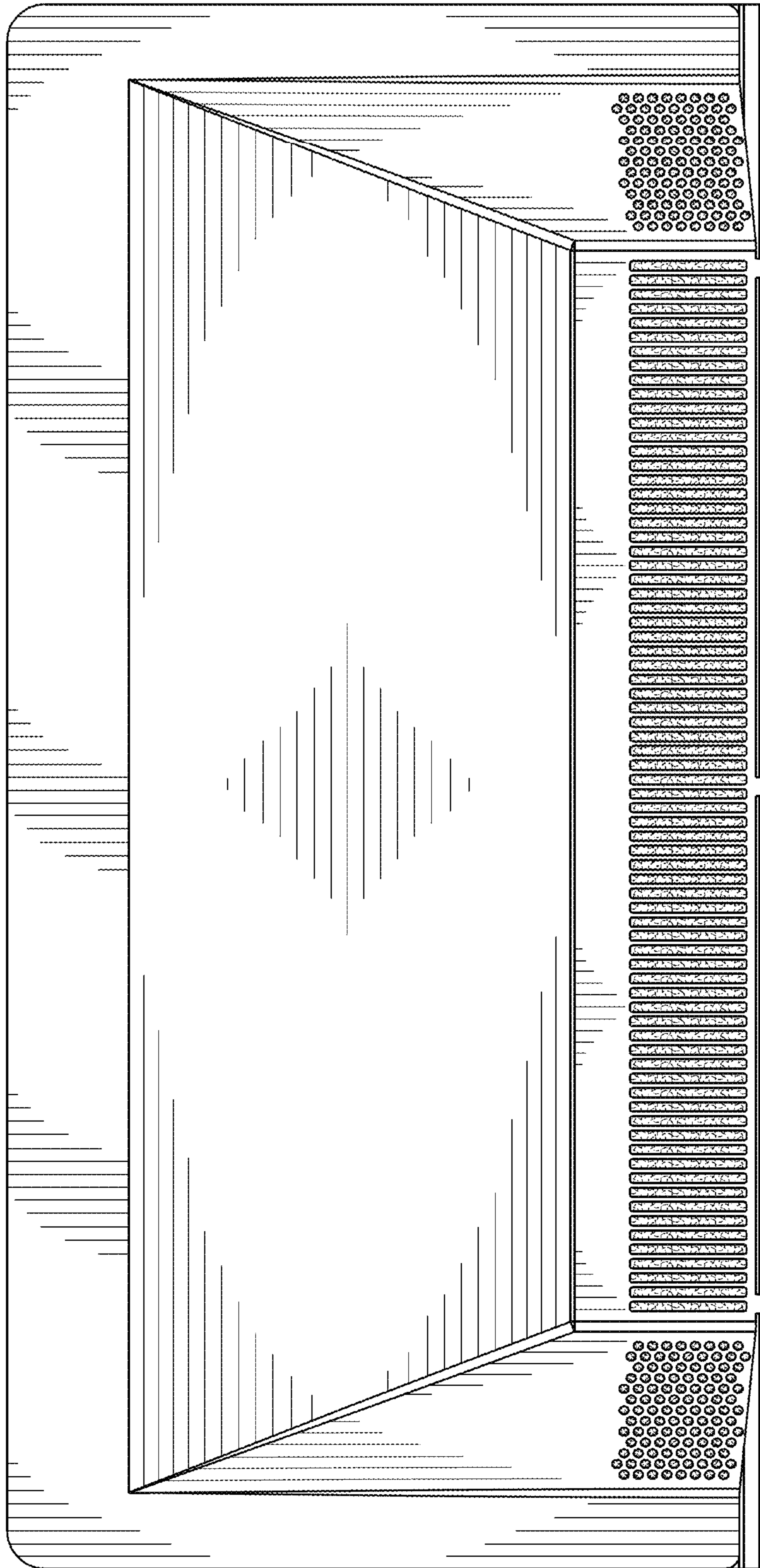


FIG. 9

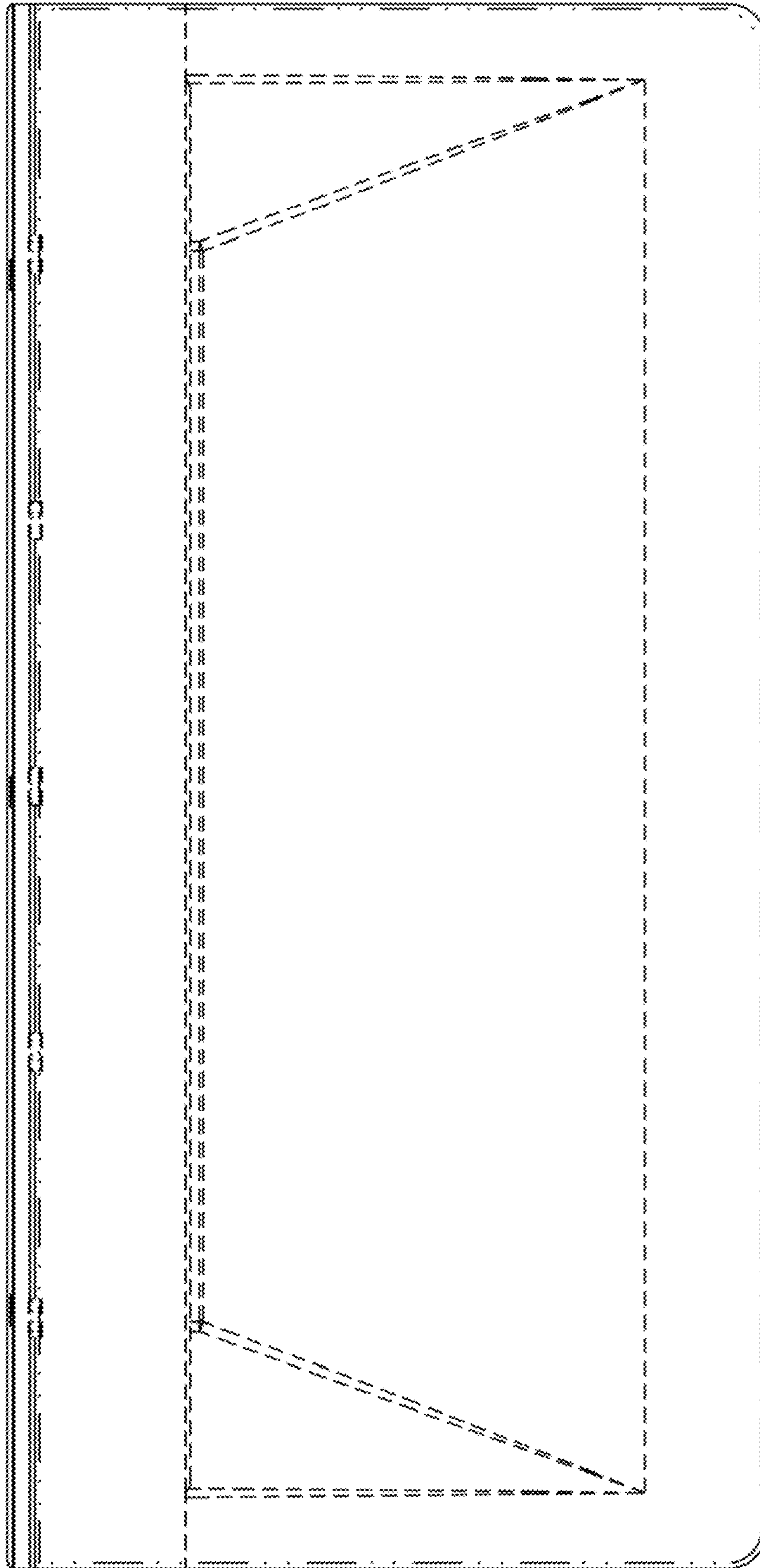


FIG. 10



FIG. 11

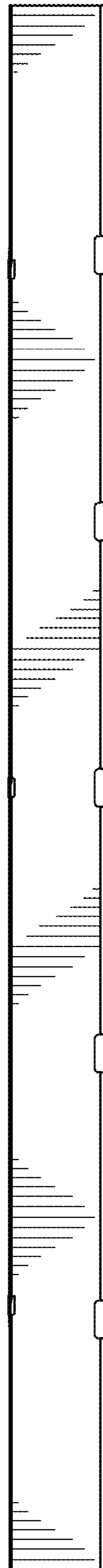


FIG. 12

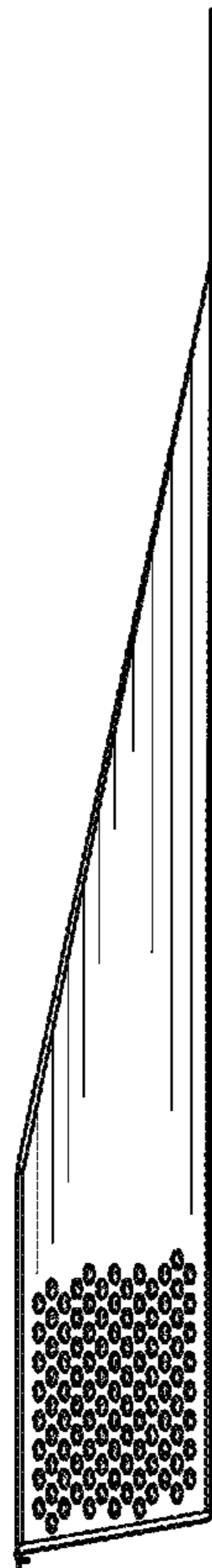


FIG. 13