



US00D903088S

(12) **United States Design Patent**
Chen

(10) **Patent No.:** **US D903,088 S**

(45) **Date of Patent:** **** Nov. 24, 2020**

(54) **FAN WITH STAND**

(71) Applicant: **Pengcheng Chen**, Guangdong (CN)

(72) Inventor: **Pengcheng Chen**, Guangdong (CN)

(**) Term: **15 Years**

(21) Appl. No.: **29/693,742**

(22) Filed: **Jun. 5, 2019**

(51) **LOC (12) Cl.** **23-04**

(52) **U.S. Cl.**
USPC **D23/382**

(58) **Field of Classification Search**
USPC D23/332, 333, 335-337, 364, 370, 378,
D23/379, 381-383

CPC F04D 25/08; F04D 29/38; F04D 29/384;
F04D 29/386

See application file for complete search history.

(56) **References Cited**

U.S. PATENT DOCUMENTS

D293,714 S *	1/1988	Jih	D18/6
D313,275 S *	12/1990	Aida	D23/370
D314,617 S *	2/1991	Yuen	D23/370
D339,858 S *	9/1993	Shong	D23/382
D349,570 S *	8/1994	Radtke, Jr.	D23/381
D387,422 S *	12/1997	Radtke	D23/328
D460,542 S *	7/2002	Li	D23/328
D529,166 S *	9/2006	Geringer	D23/379

D754,316 S *	4/2016	Yasuoka	D23/366
D832,989 S *	11/2018	Breit	D23/370
2008/0101928 A1 *	5/2008	Chen	F04D 25/084 415/213.1
2014/0161594 A1 *	6/2014	Kurihara	F04D 29/601 415/126

* cited by examiner

Primary Examiner — Cathron C Brooks

Assistant Examiner — Sharon S Oum

(74) *Attorney, Agent, or Firm* — Scott H. Kaliko, Esq.;
Kaliko & Associates, LLC

(57) **CLAIM**

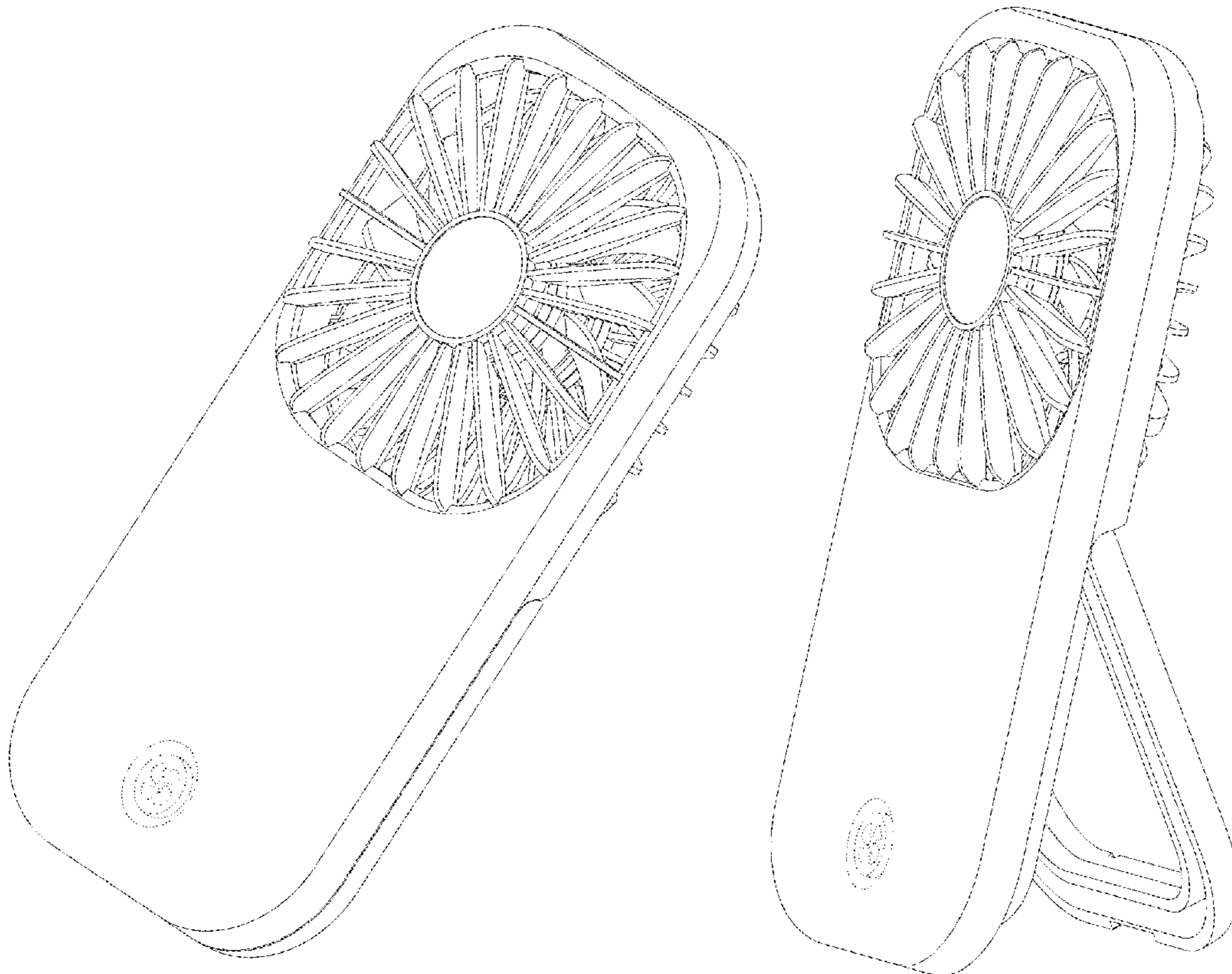
The ornamental design for a fan with stand, as shown and described.

DESCRIPTION

FIG. 1 is a PERSPECTIVE view of a fan with stand of the present invention;
FIG. 2 is a PERSPECTIVE view thereof, but shown in an alternate position;
FIG. 3 is a TOP view of FIG. 1;
FIG. 4 is a BOTTOM view thereof;
FIG. 5 is a LEFT SIDE view thereof;
FIG. 6 is a RIGHT SIDE view thereof;
FIG. 7 is a FRONT view thereof; and,
FIG. 8 is a BACK view thereof.

The broken lines illustrate portions of the fan with stand and form no part of the claimed design.

1 Claim, 7 Drawing Sheets



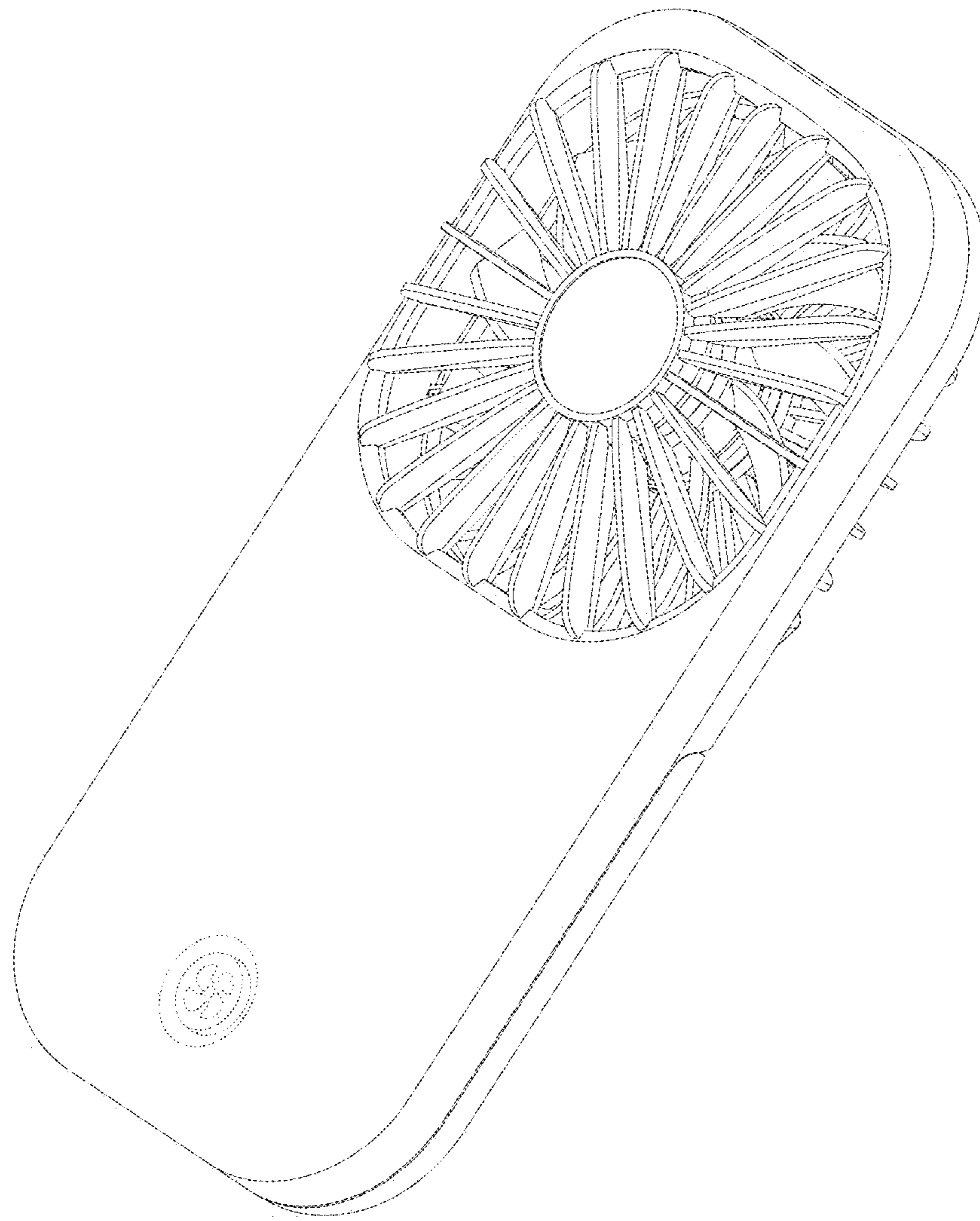


FIG 1

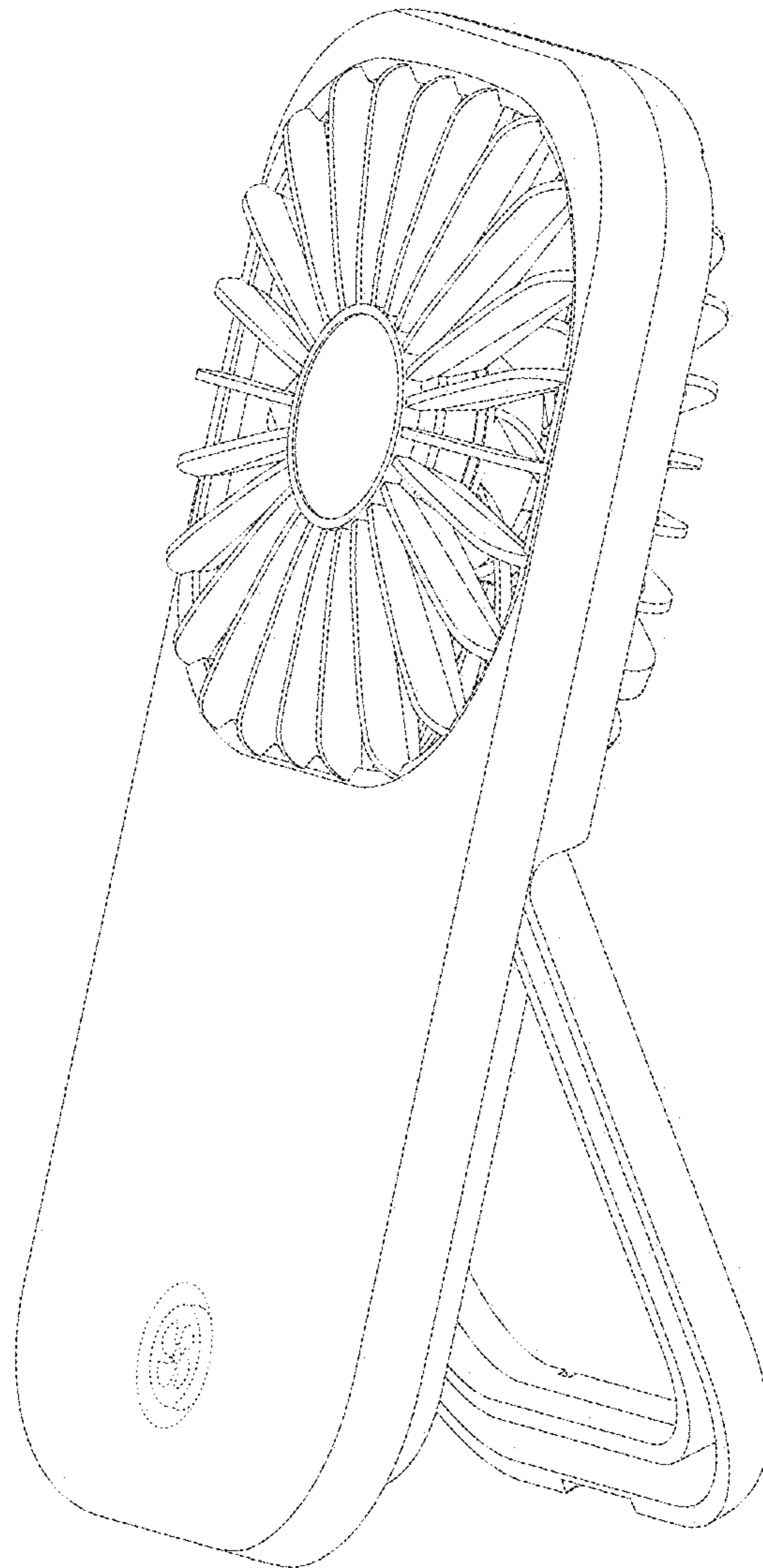


FIG 2

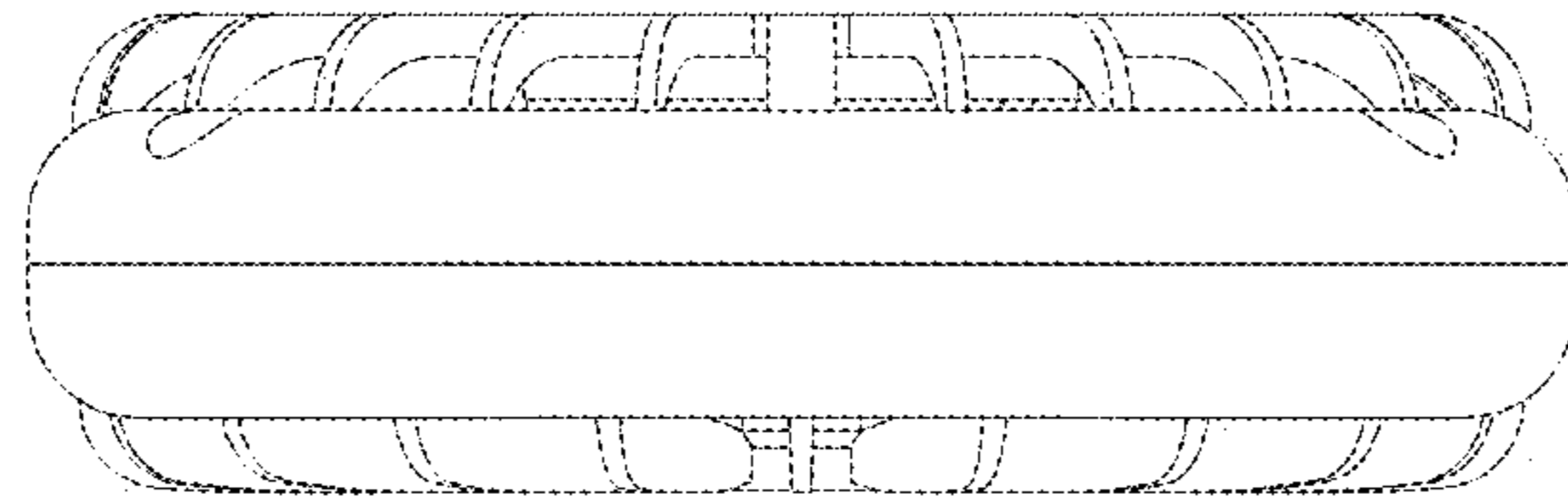


FIG 3

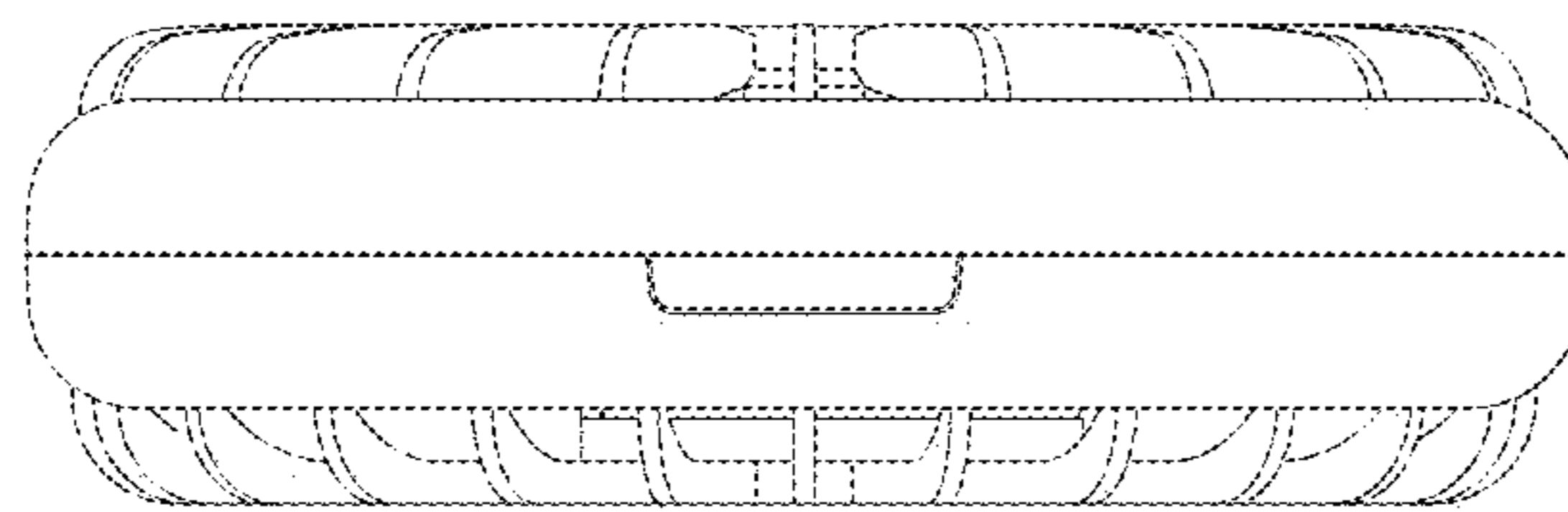


FIG 4

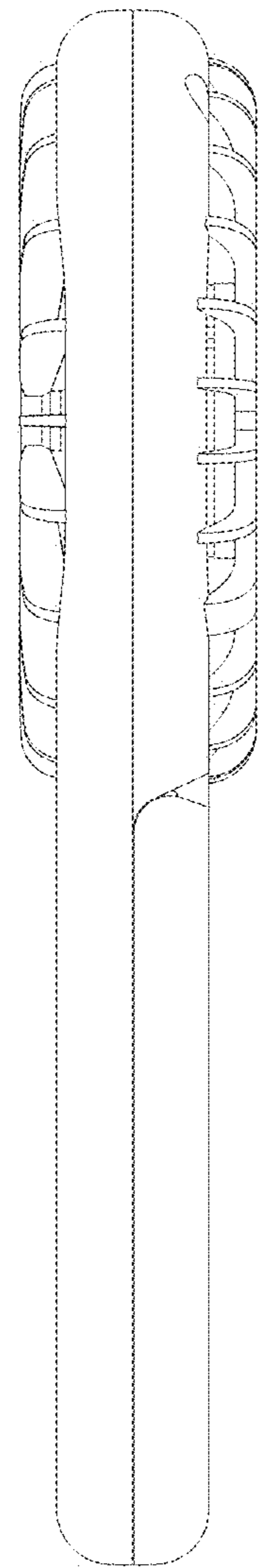


FIG 5

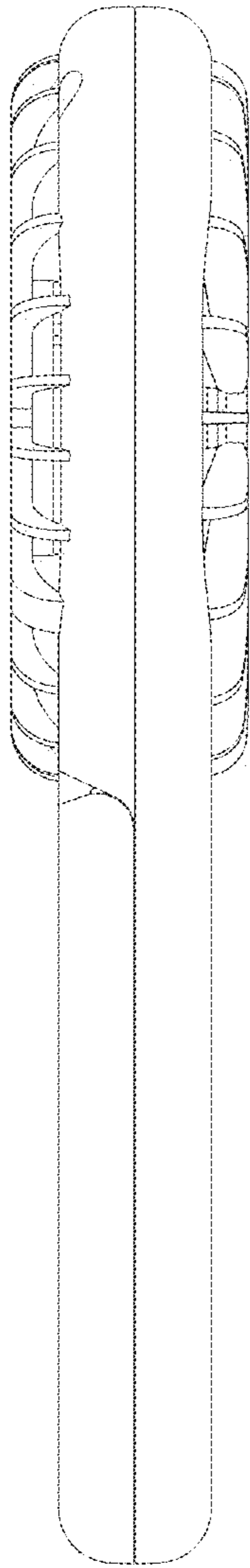


FIG 6

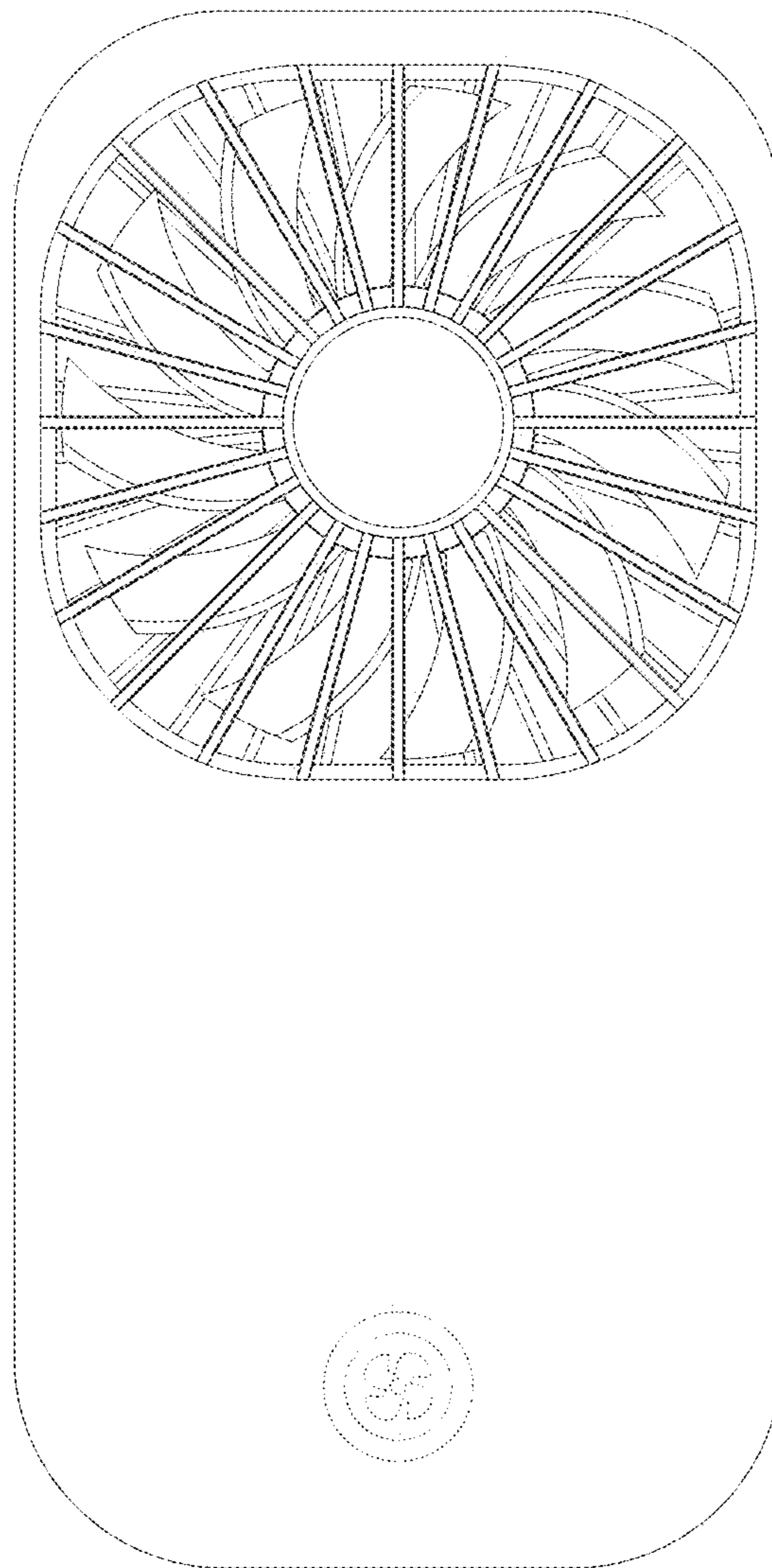


FIG 7

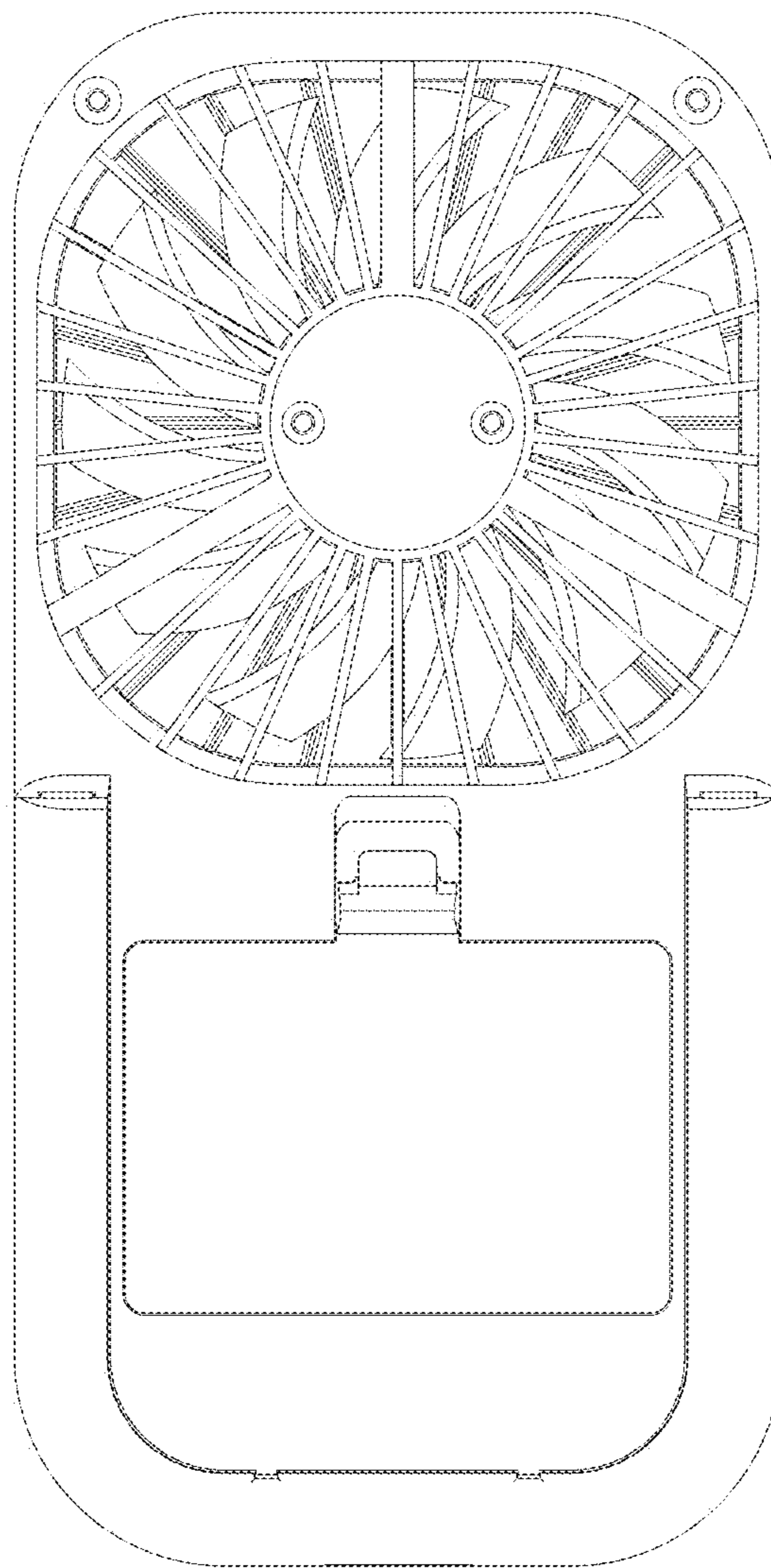


FIG 8