



US00D903087S

(12) **United States Design Patent**
Zhou

(10) **Patent No.:** **US D903,087 S**

(45) **Date of Patent:** **** Nov. 24, 2020**

(54) **FAN**
(71) Applicant: **Guojun Zhou**, Lianyuan (CN)
(72) Inventor: **Guojun Zhou**, Lianyuan (CN)
(**) Term: **15 Years**

D387,154 S *	12/1997	Chiang	D23/332
D442,269 S *	5/2001	Pinchuk	D23/351
D455,481 S *	4/2002	Christianson	D23/351
D457,945 S *	5/2002	Pinchuk	D23/351
D464,420 S *	10/2002	Tolar	D23/382
6,666,647 B1	12/2003	Trask		
D857,876 S *	8/2019	Ye	D23/411
D862,679 S *	10/2019	Zhou	D23/380
2020/0187574 A1 *	6/2020	Te Hsiang	F04D 25/0673

(21) Appl. No.: **29/739,103**

* cited by examiner

(22) Filed: **Jun. 23, 2020**

Primary Examiner — Janice Hallmark

(51) **LOC (12) Cl.** **23-04**

(57) **CLAIM**

(52) **U.S. Cl.**
USPC **D23/370**

The ornamental design for a fan, as shown and described.

(58) **Field of Classification Search**
USPC D26/59; D23/370–385, 411–414, 355,
D23/351, 352, 349, 333, 332, 336, 337
CPC F04D 25/088; F04D 29/38; F21V 21/03;
B63H 1/16; F25D 5/00
See application file for complete search history.

DESCRIPTION

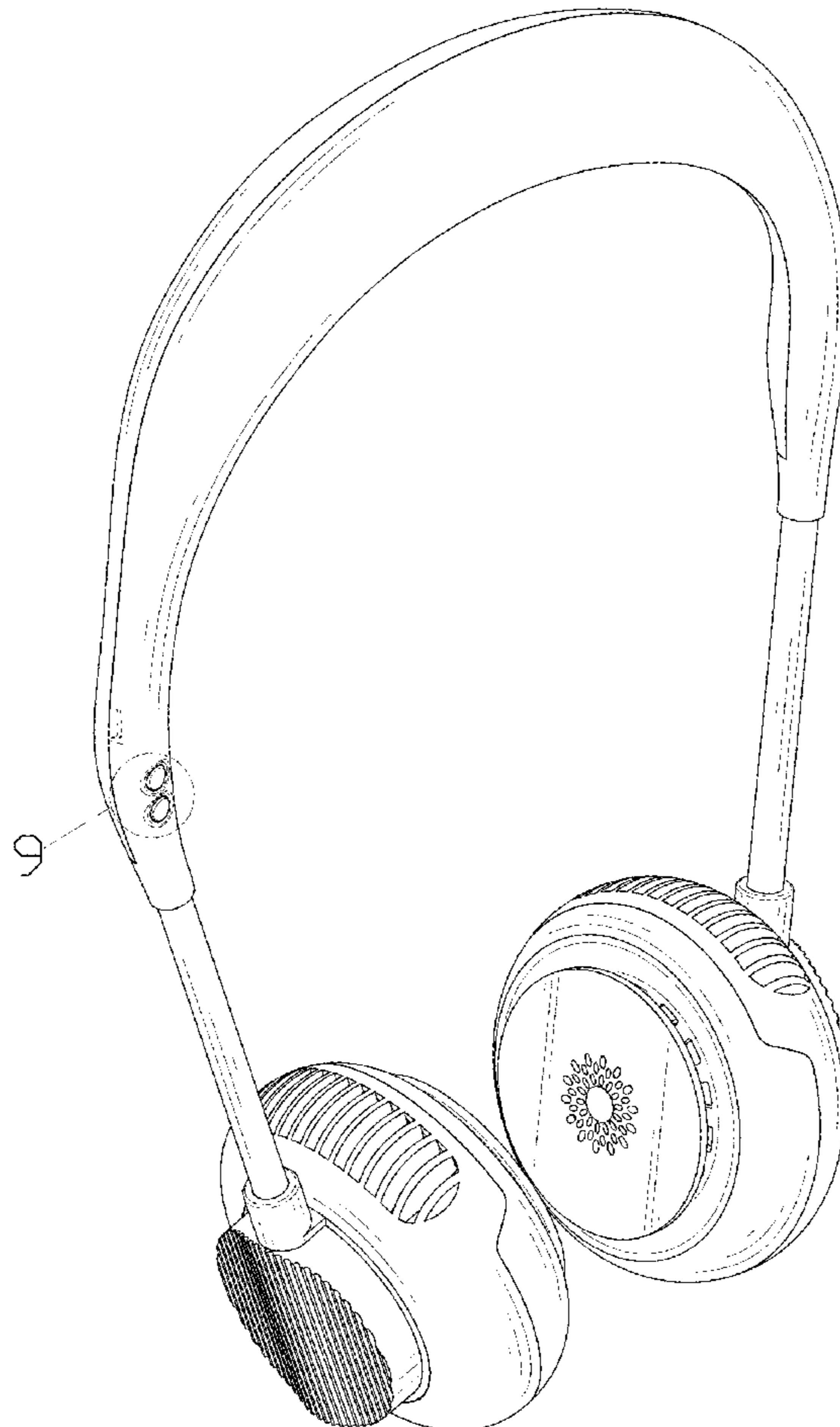
FIG. 1 is a perspective view of a fan showing my new design;
FIG. 2 is another perspective view thereof;
FIG. 3 is a front elevational view thereof;
FIG. 4 is a rear elevational view thereof;
FIG. 5 is a left side elevational view thereof;
FIG. 6 is a right side elevational view thereof;
FIG. 7 is a top plan view thereof;
FIG. 8 is a bottom plan view thereof; and,
FIG. 9 is an enlarged view of portion 9 shown in FIG. 1.
The broken lines in the drawings depict portions of the fan that form no part of the claimed design.

(56) **References Cited**

U.S. PATENT DOCUMENTS

D345,599 S *	3/1994	Williams, Jr.	D23/382
D372,772 S *	8/1996	Dubois	D23/332
D384,144 S *	9/1997	DuBois	D23/332
D387,150 S *	12/1997	Coonahan	D23/332

1 Claim, 9 Drawing Sheets



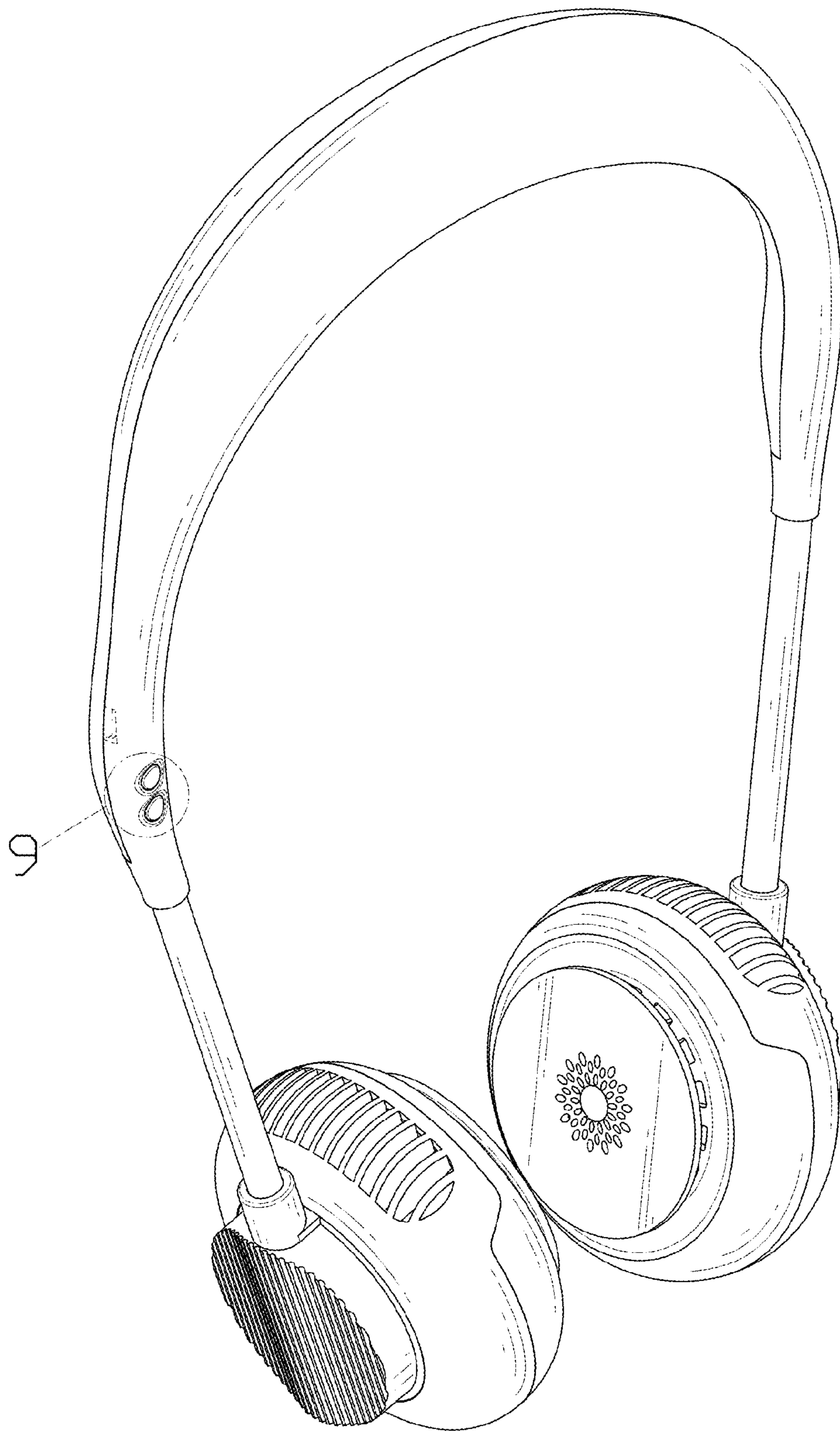


FIG. 1

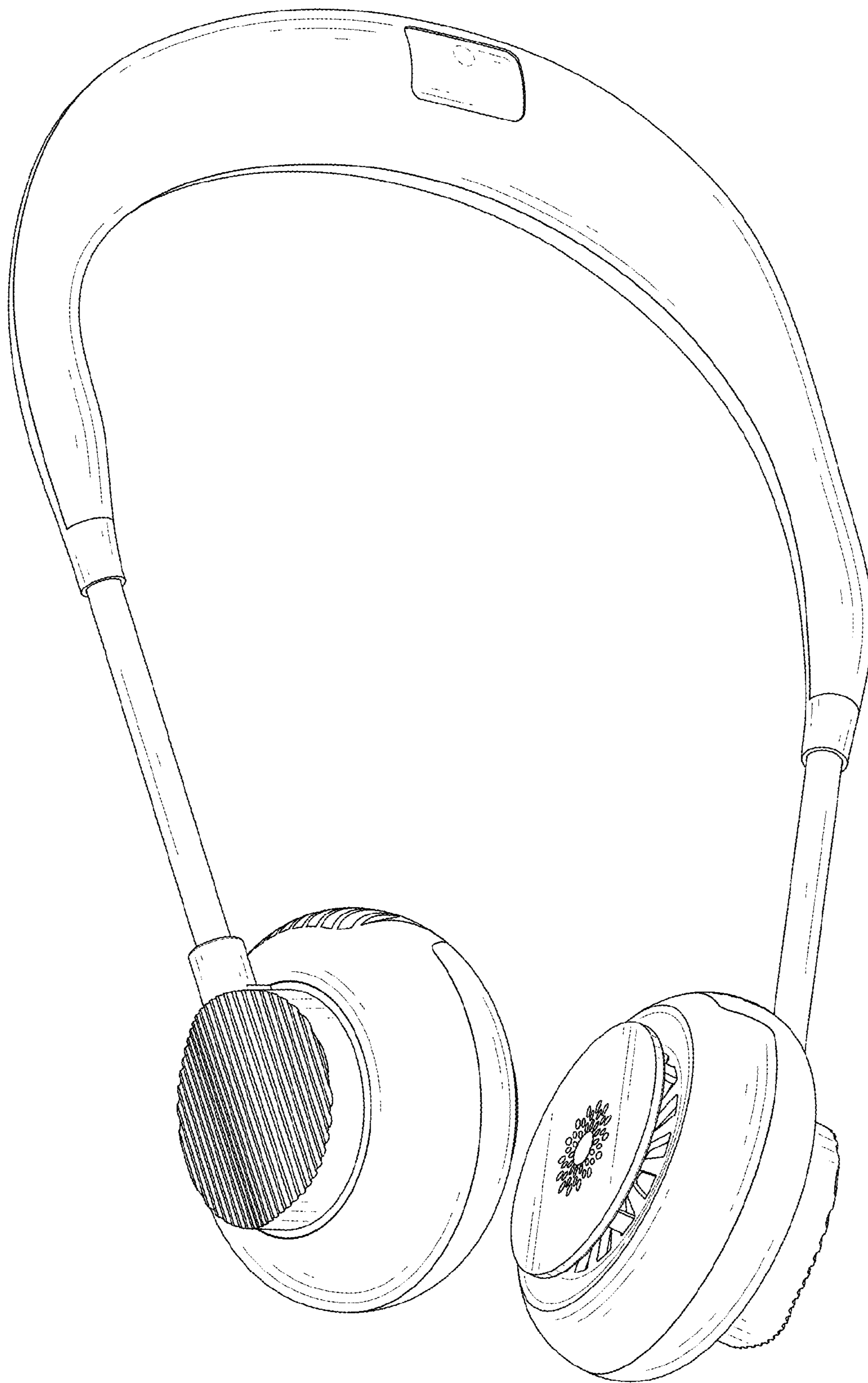


FIG. 2

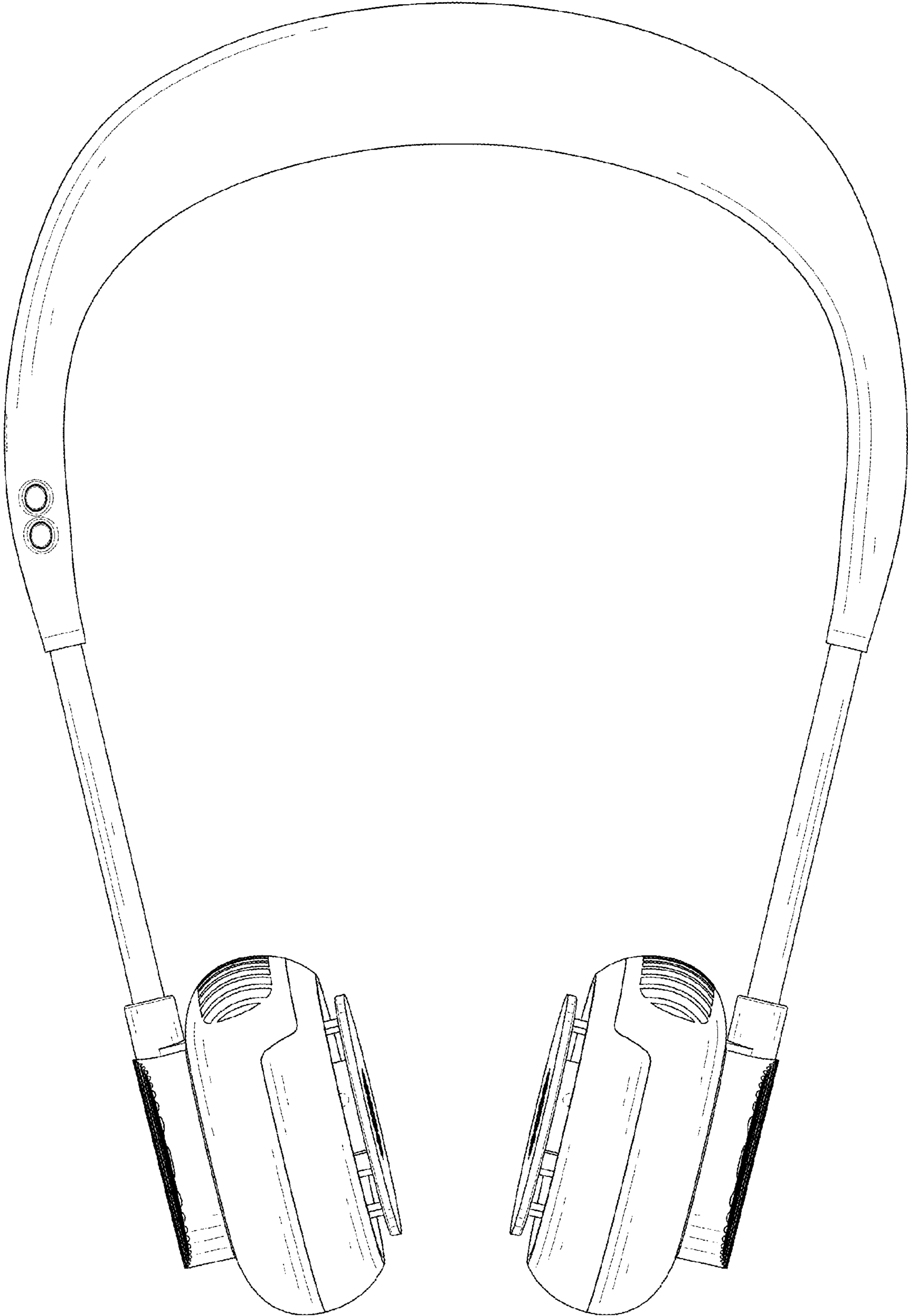


FIG. 3

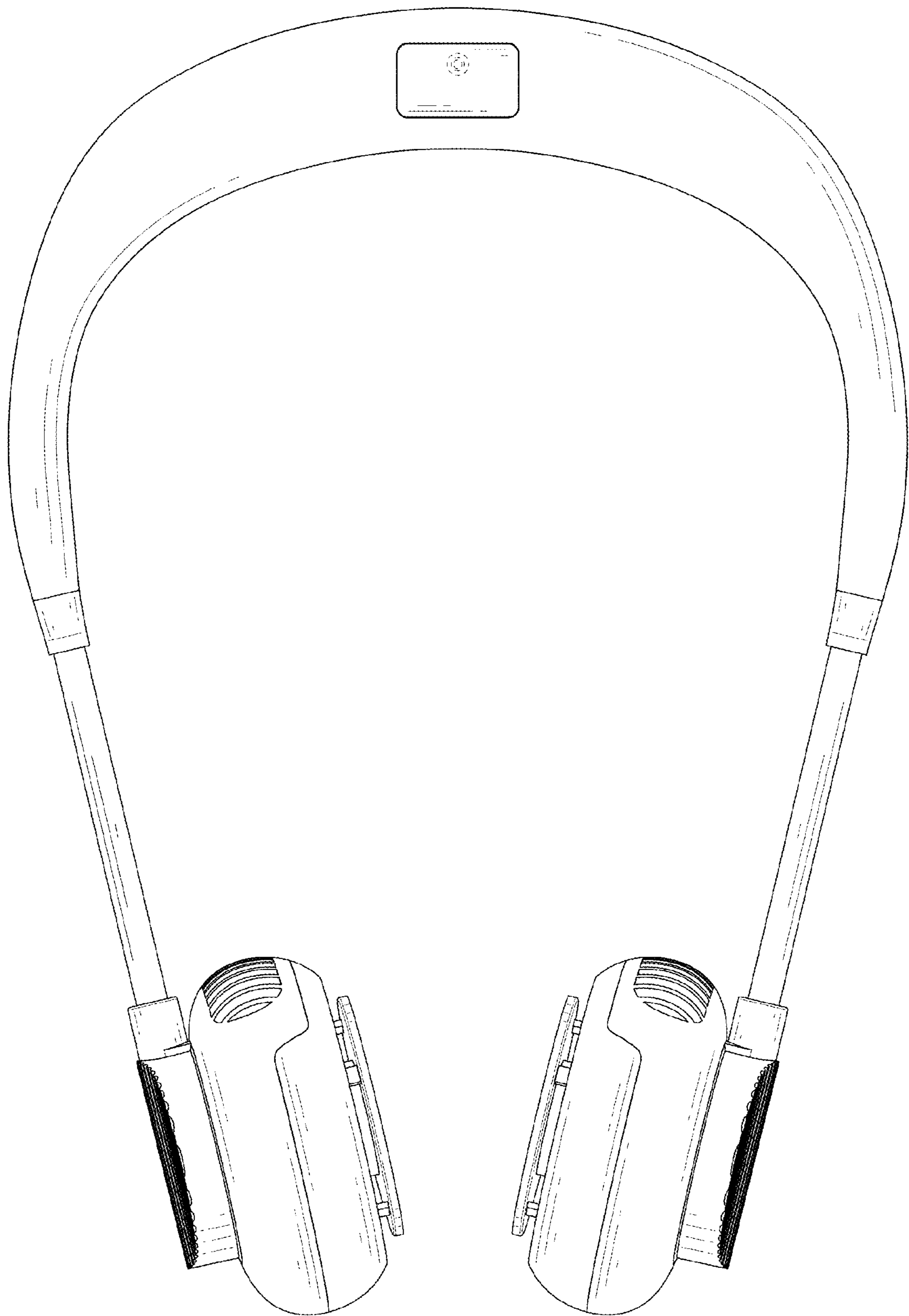


FIG. 4

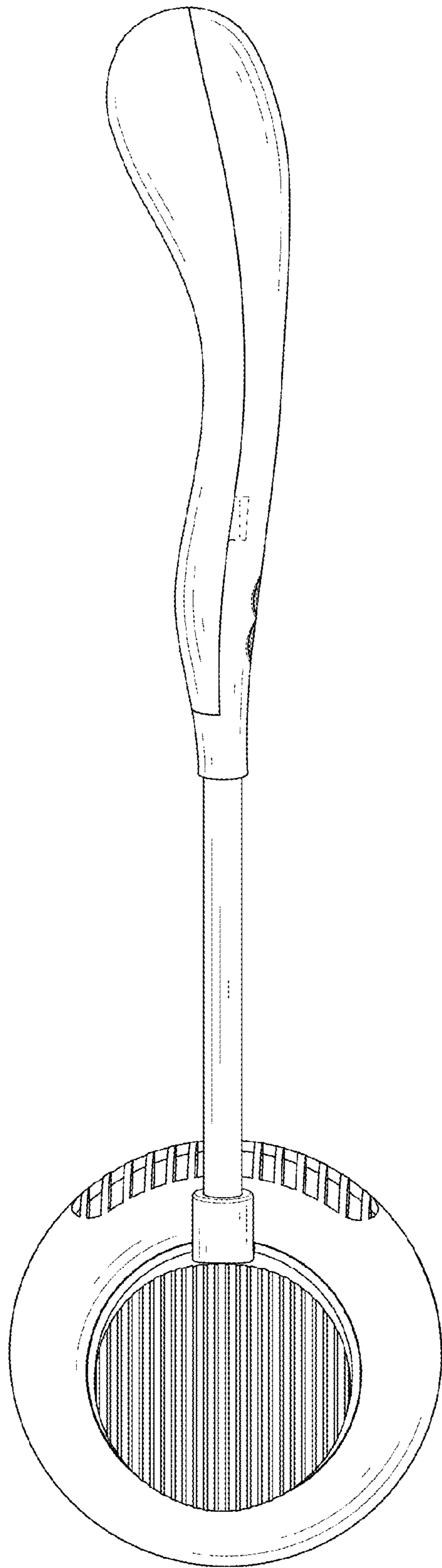


FIG. 5

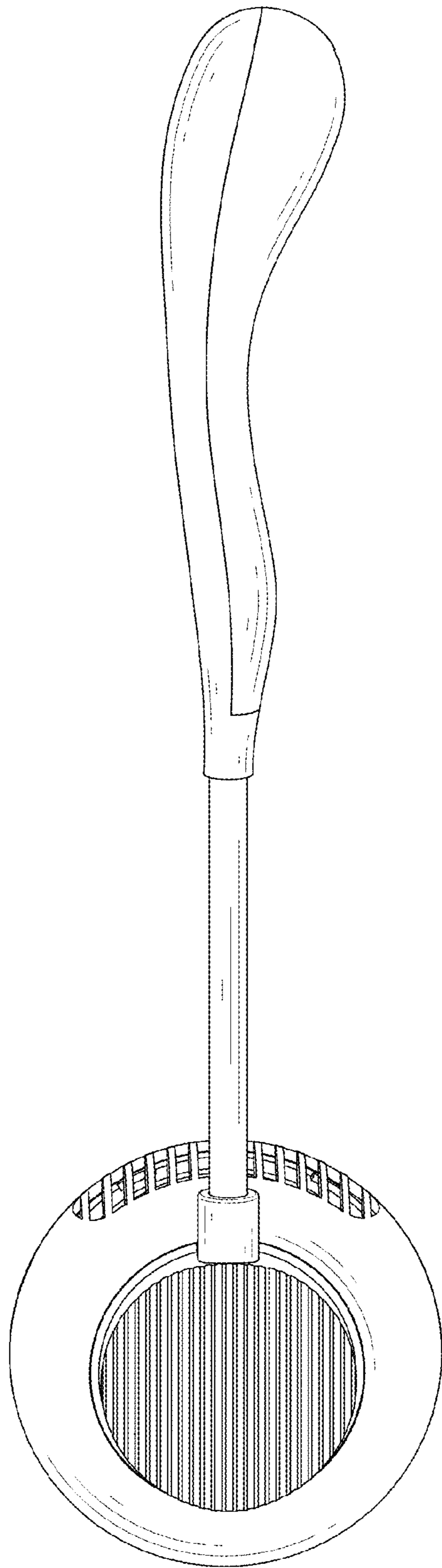


FIG. 6

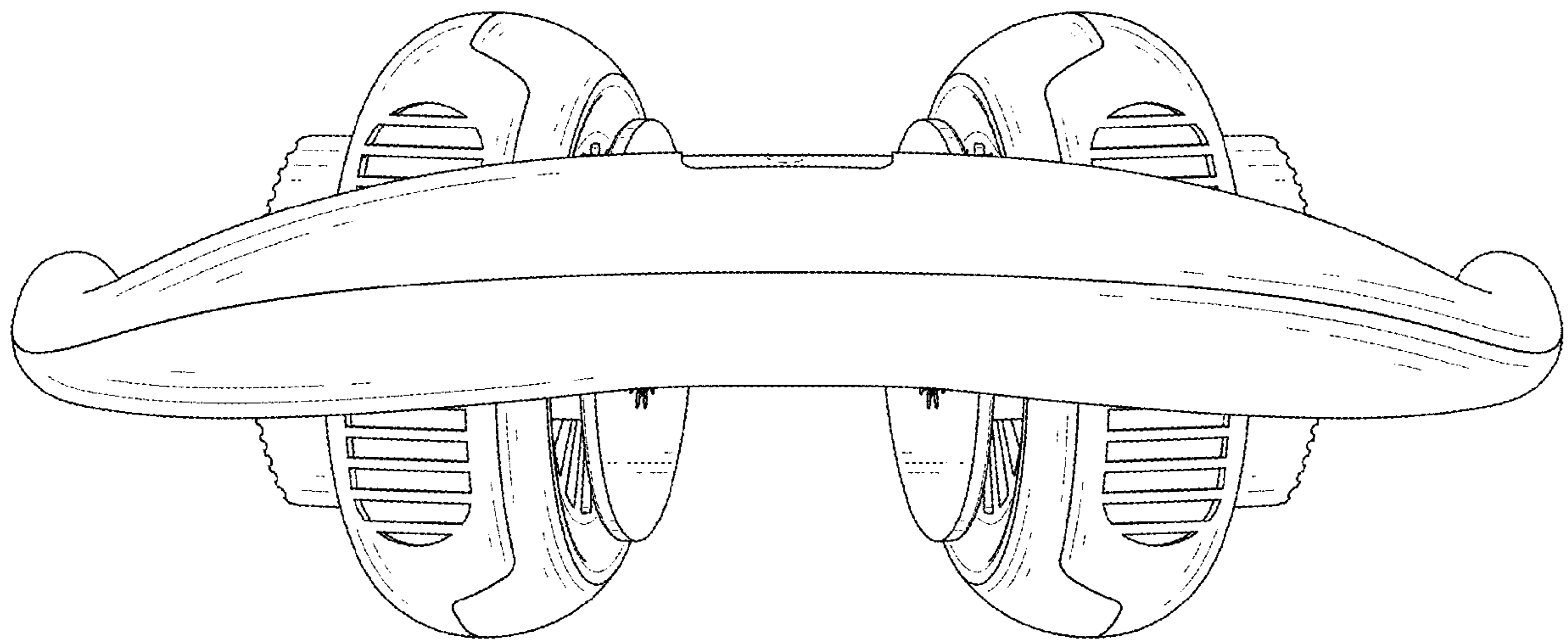


FIG. 7

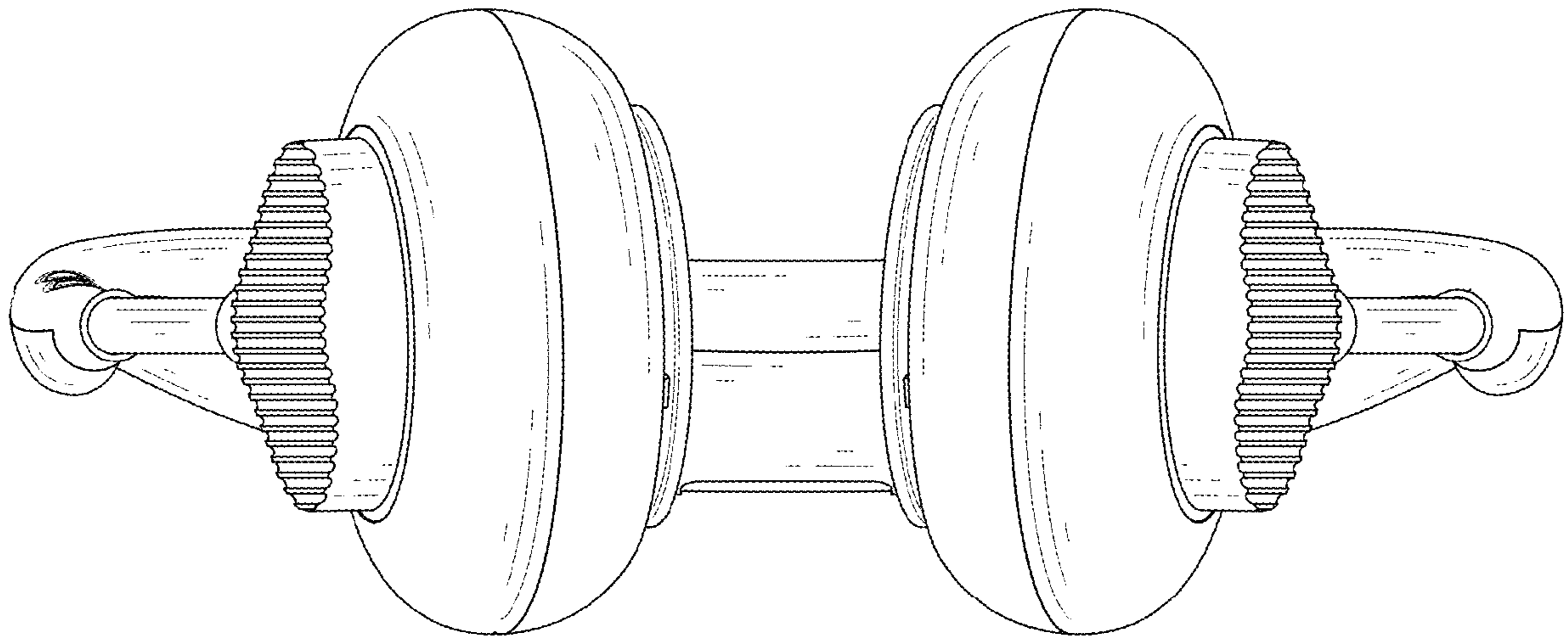


FIG. 8

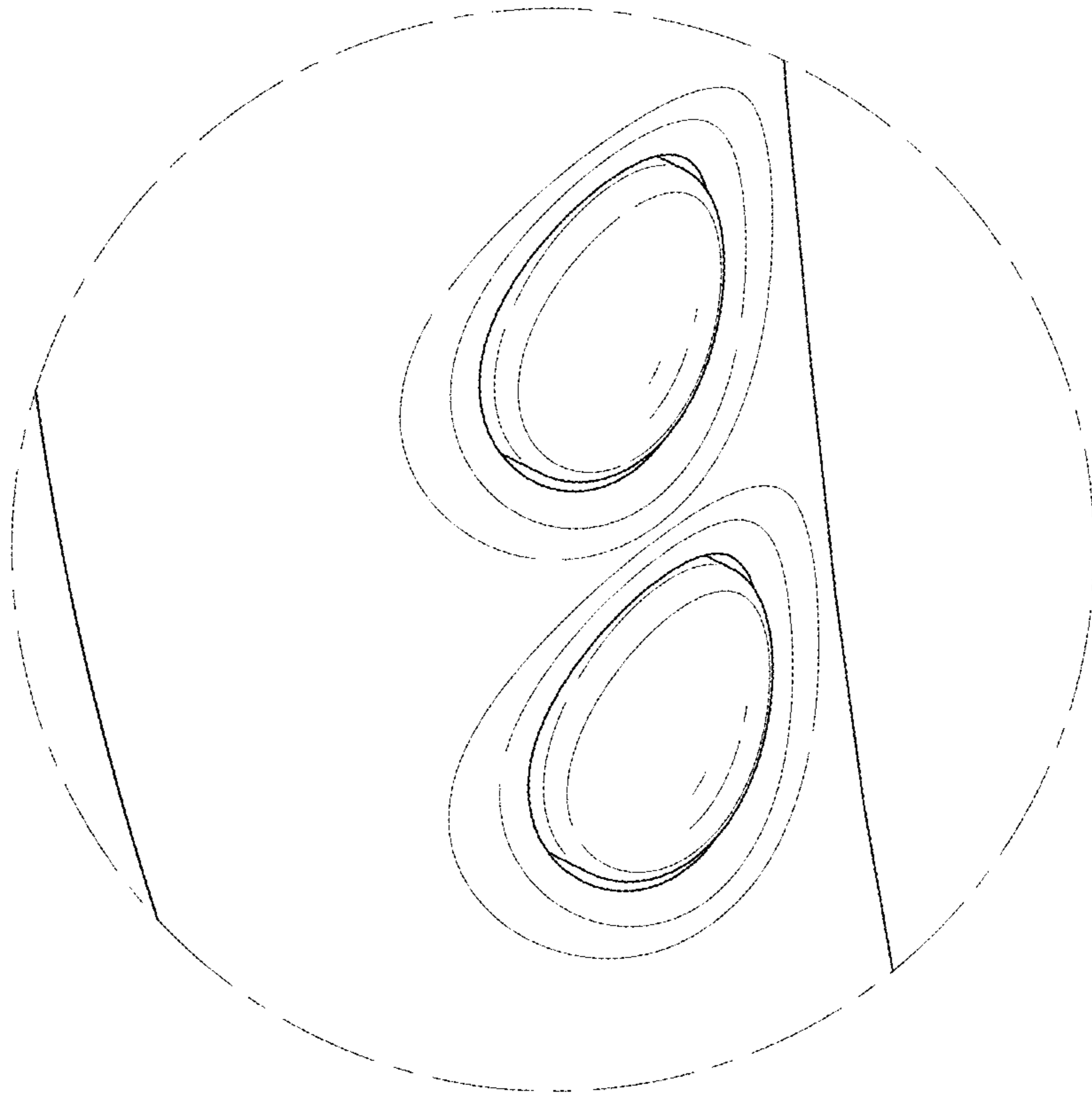


FIG. 9