



US00D903085S

(12) **United States Design Patent**  
**Gebert et al.**

(10) **Patent No.:** **US D903,085 S**

(45) **Date of Patent:** **\*\* Nov. 24, 2020**

- (54) **FAN**
- (71) Applicant: **ebm-papst Mulfingen GmbH & Co. KG, Mulfingen (DE)**
- (72) Inventors: **Daniel Gebert, Öhringen (DE); Werner Haas, Dunningen (DE); Wolfgang Laufer, Aichalden (DE); Eugen Usselmann, Bad Dürkheim (DE); Tobias Sieger, Geisingen (DE)**
- (73) Assignee: **ebm-papst Mulfingen GmbH & Co. KG, Mulfingen (DE)**

- (\*\*) Term: **15 Years**
- (21) Appl. No.: **29/653,046**
- (22) Filed: **Jun. 12, 2018**

(30) **Foreign Application Priority Data**

Dec. 13, 2017 (EM) ..... 004546729-0002

(51) **LOC (12) Cl.** ..... **23-04**

(52) **U.S. Cl.**  
USPC ..... **D23/370**

(58) **Field of Classification Search**  
USPC ..... D23/370-386, 393, 411-414, 351-354,  
D23/332-336, 355, 366-369, 324-325;  
D13/179  
CPC ..... F04D 29/545; F04D 29/661; F04D 5/00;  
F04D 27/00; F04D 29/329  
See application file for complete search history.

(56) **References Cited**

**U.S. PATENT DOCUMENTS**

- D489,441 S \* 5/2004 Wagner ..... D23/370
- D513,799 S \* 1/2006 Li ..... D23/411
- 7,191,613 B2 \* 3/2007 Lee ..... F04D 17/165  
62/262
- D585,130 S \* 1/2009 Harman ..... D23/413

- D639,924 S \* 6/2011 Winkler ..... D23/370
- D644,315 S \* 8/2011 Bohl ..... D23/370
- 8,256,241 B2 \* 9/2012 Ikeda ..... F04D 17/06  
62/419
- D681,184 S \* 4/2013 Romero Carreras ..... D23/370
- 8,475,111 B2 \* 7/2013 Stagg ..... F04D 29/281  
415/1
- 8,640,360 B2 \* 2/2014 Stamm ..... F04D 25/08  
236/44 A
- D772,392 S \* 11/2016 Gebert ..... D23/370
- D780,302 S \* 2/2017 Merritt ..... D23/374
- D821,561 S \* 6/2018 Gruber ..... D23/411
- 2011/0150632 A1 \* 6/2011 Heli ..... B01D 46/001  
415/121.2
- 2014/0212291 A1 \* 7/2014 Stagg ..... F04D 17/06  
416/188
- 2016/0115967 A1 \* 4/2016 Kurihara ..... F24F 1/0022  
416/189
- 2016/0238032 A1 \* 8/2016 Hill ..... F02C 7/20
- 2016/0265556 A1 \* 9/2016 Stadler ..... F04D 29/164
- 2019/0353179 A1 \* 11/2019 Volk ..... F04D 29/242

\* cited by examiner

*Primary Examiner* — Cathron C Brooks

*Assistant Examiner* — Sharon S Oum

(74) *Attorney, Agent, or Firm* — Harness, Dickey & Pierce, P.L.C.

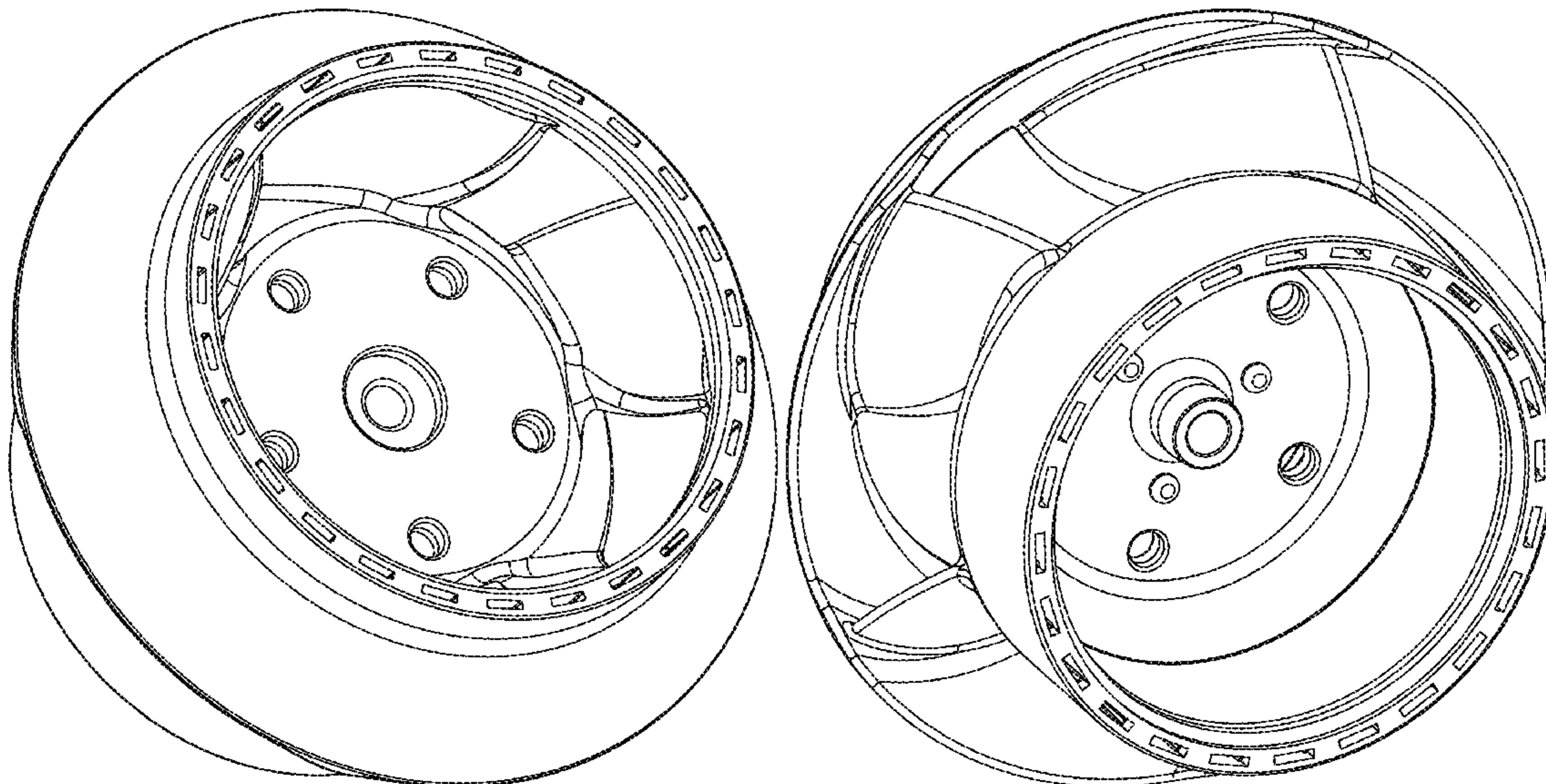
(57) **CLAIM**

The ornamental design for a fan, as shown and described.

**DESCRIPTION**

FIG. 1 is a rear plan view thereof;  
FIG. 2 is a front perspective view thereof;  
FIG. 3 is a front side perspective view thereof;  
FIG. 4 is a rear perspective view thereof;  
FIG. 5 is a rear-side perspective view thereof.  
FIG. 6 is a side elevation view thereof; and,  
FIG. 7 is a front plan view thereof.

**1 Claim, 7 Drawing Sheets**



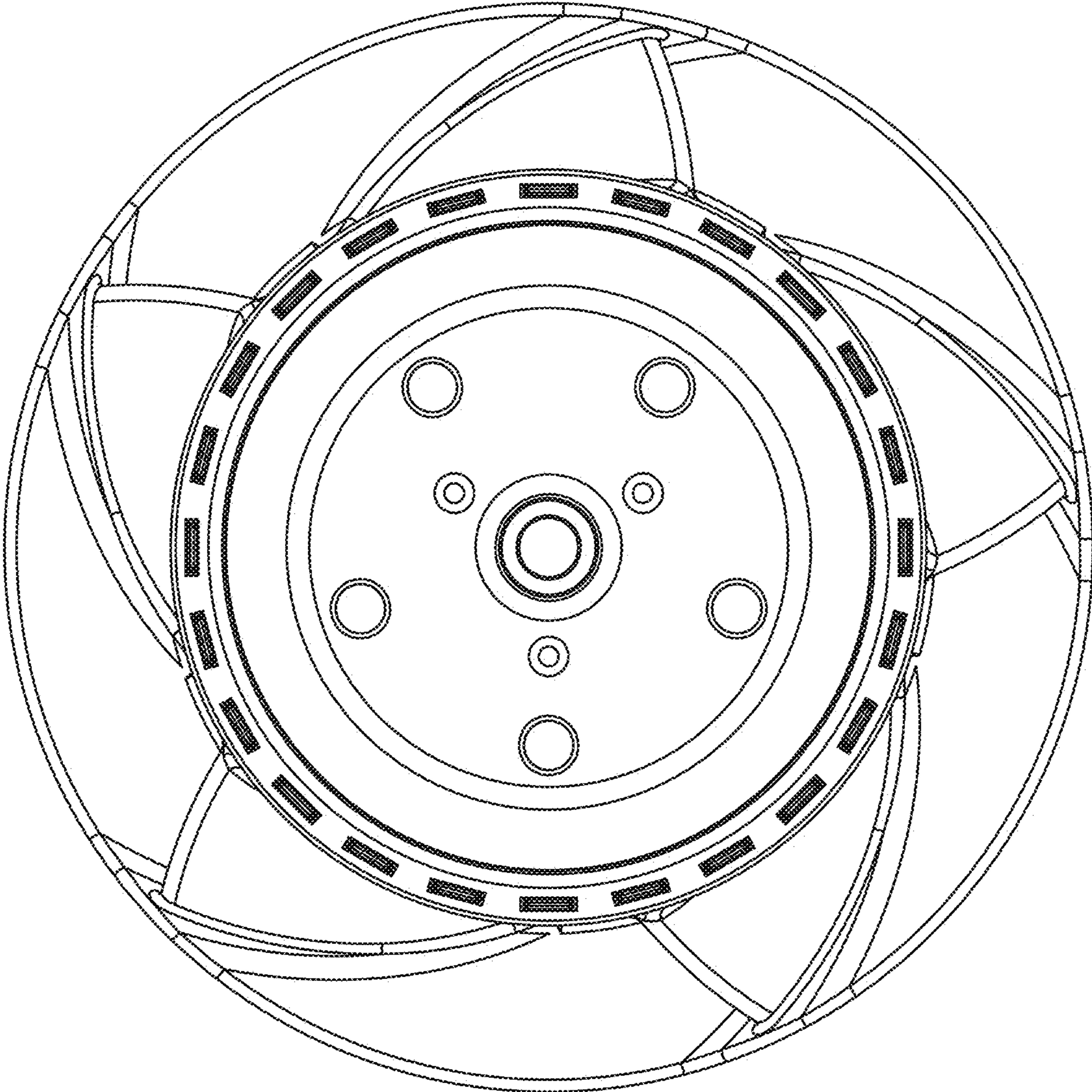


FIG - 1

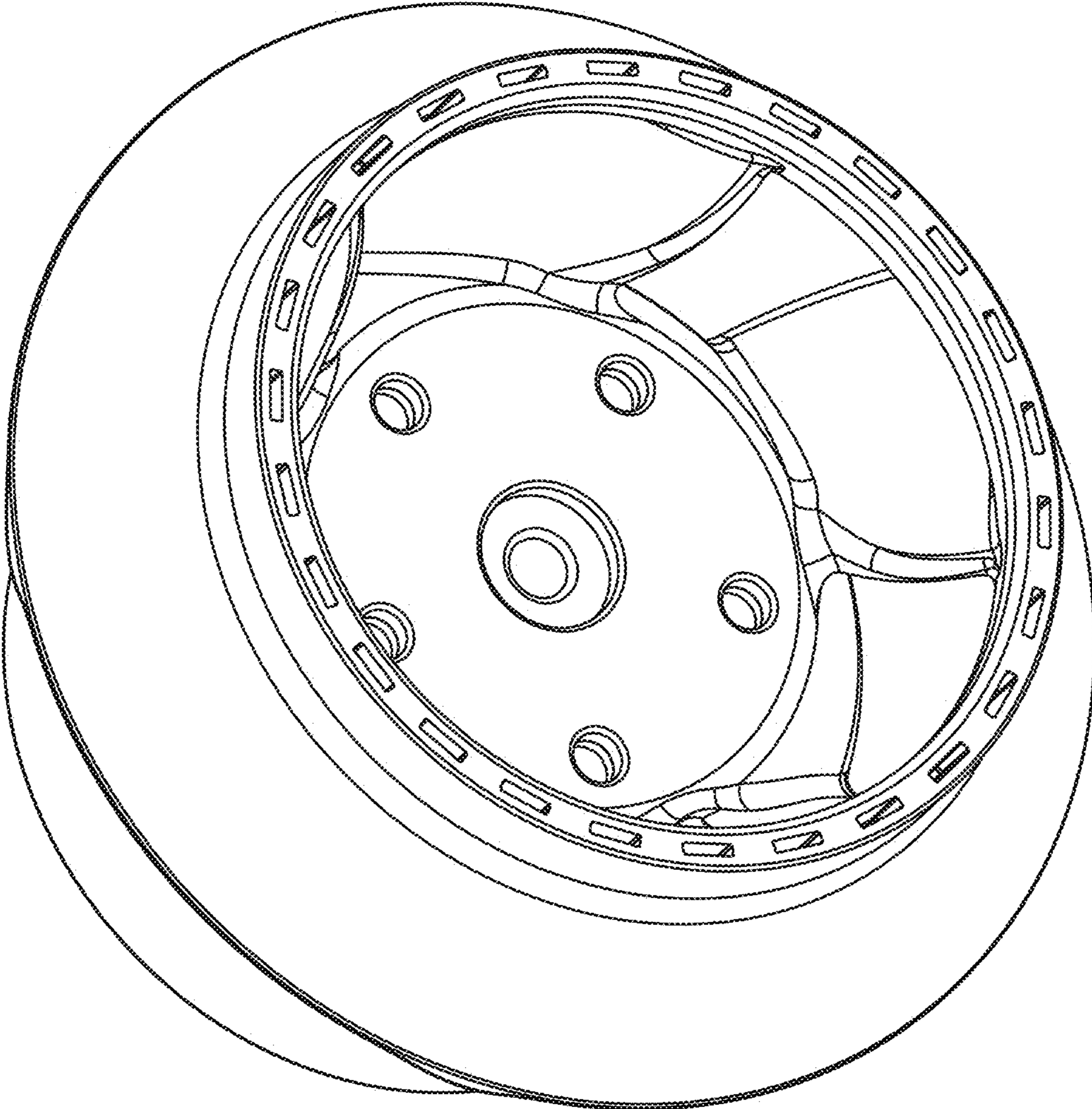


FIG - 2

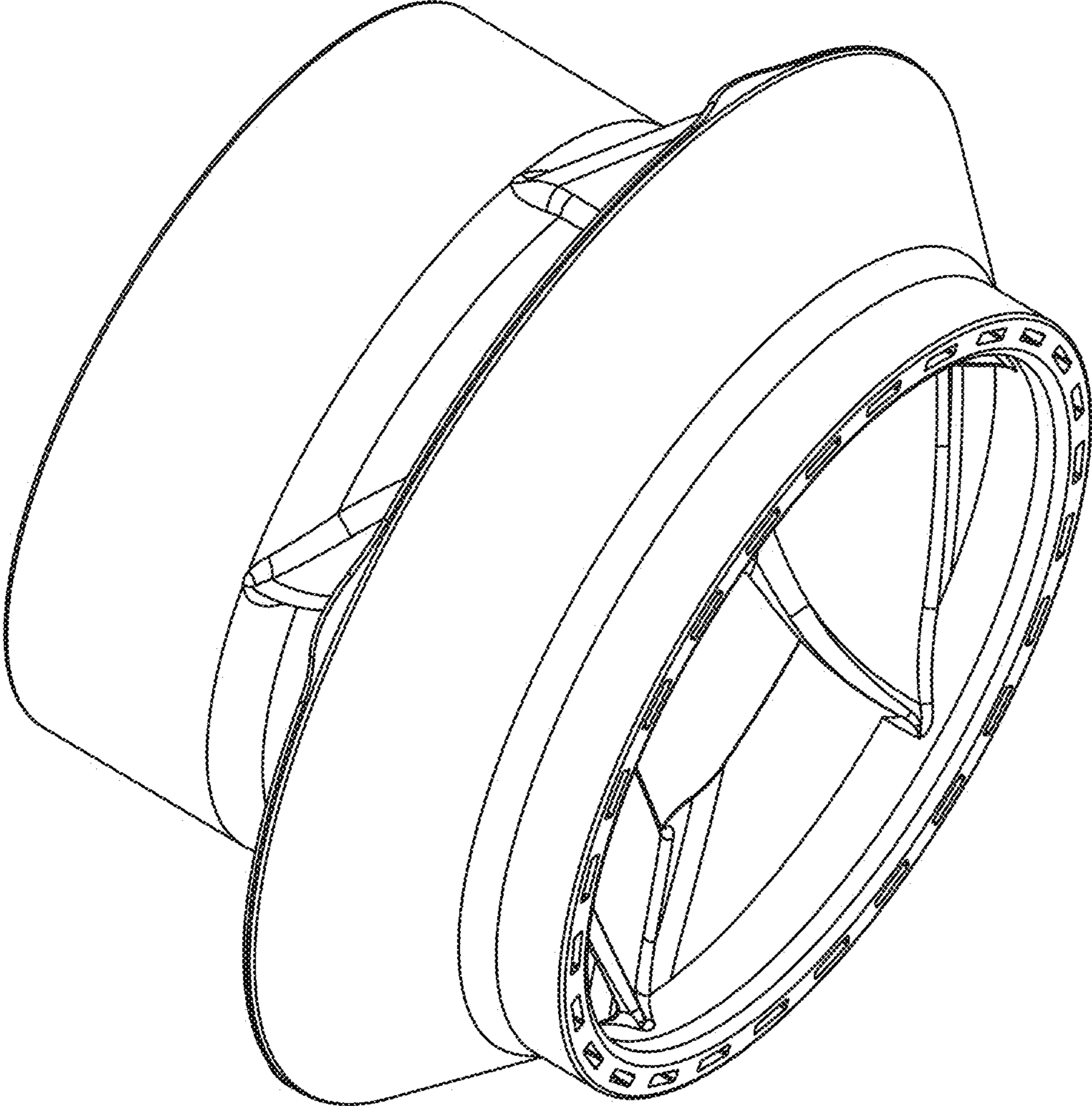


FIG - 3

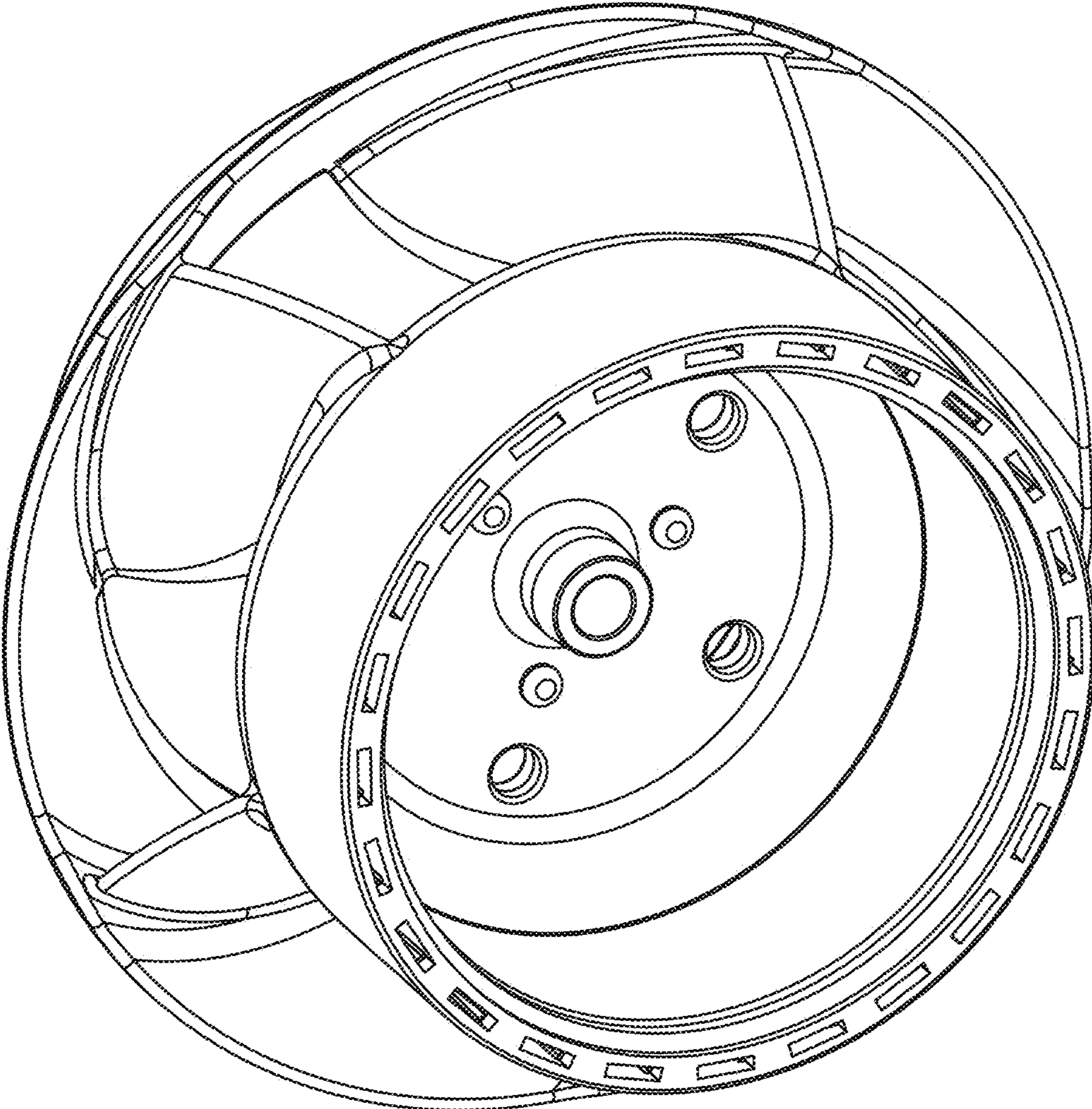


FIG - 4

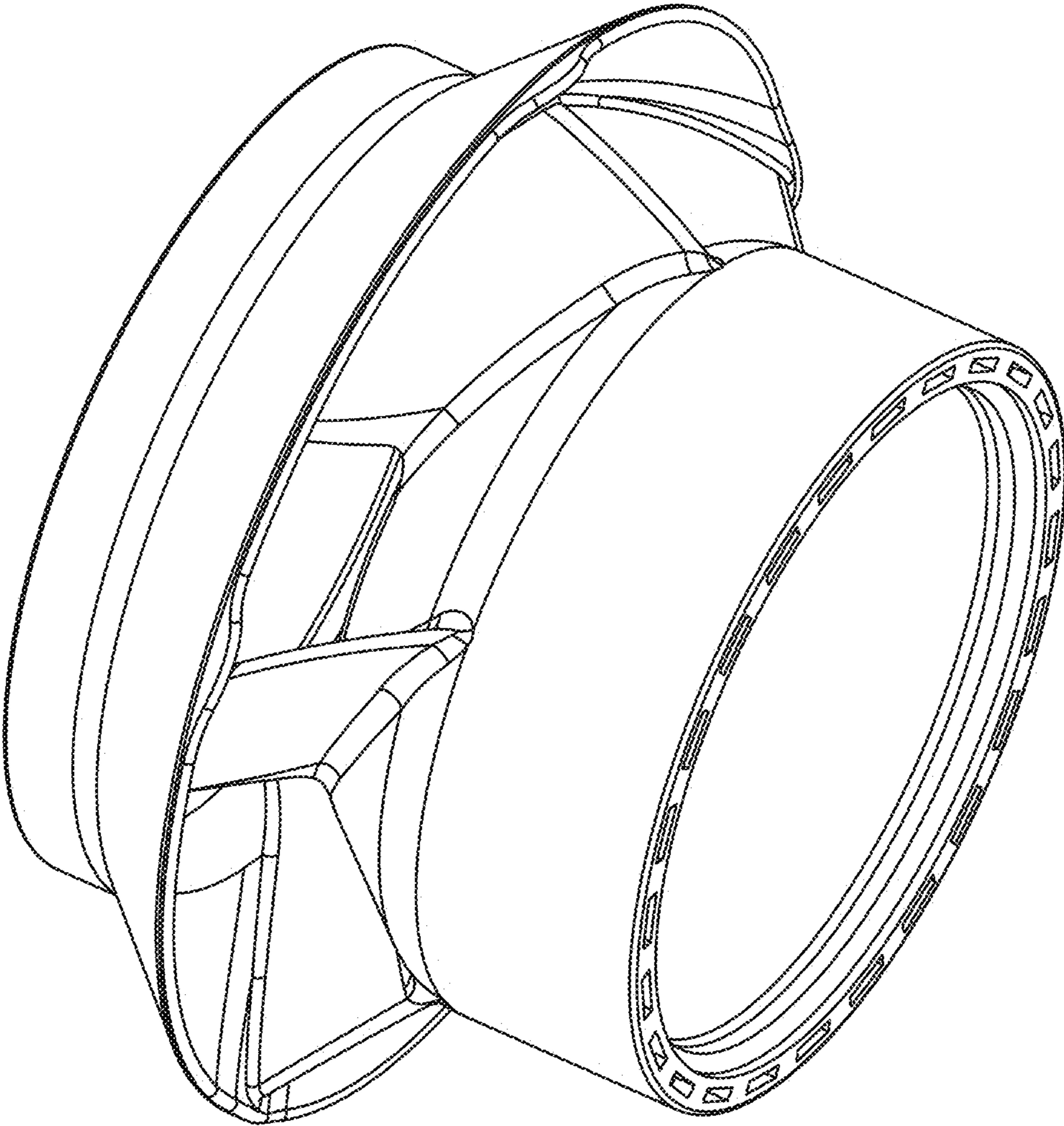


FIG - 5

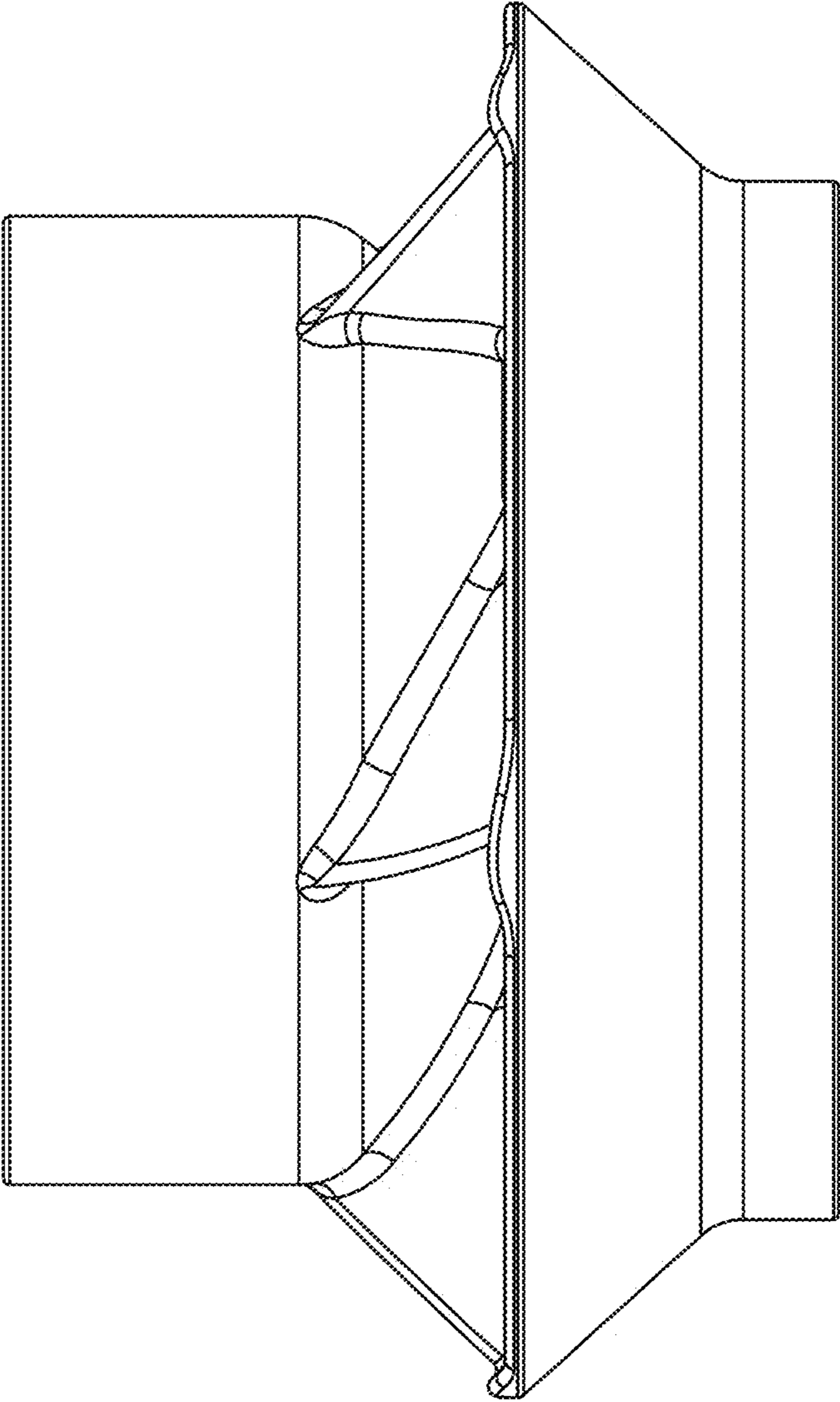


FIG - 6

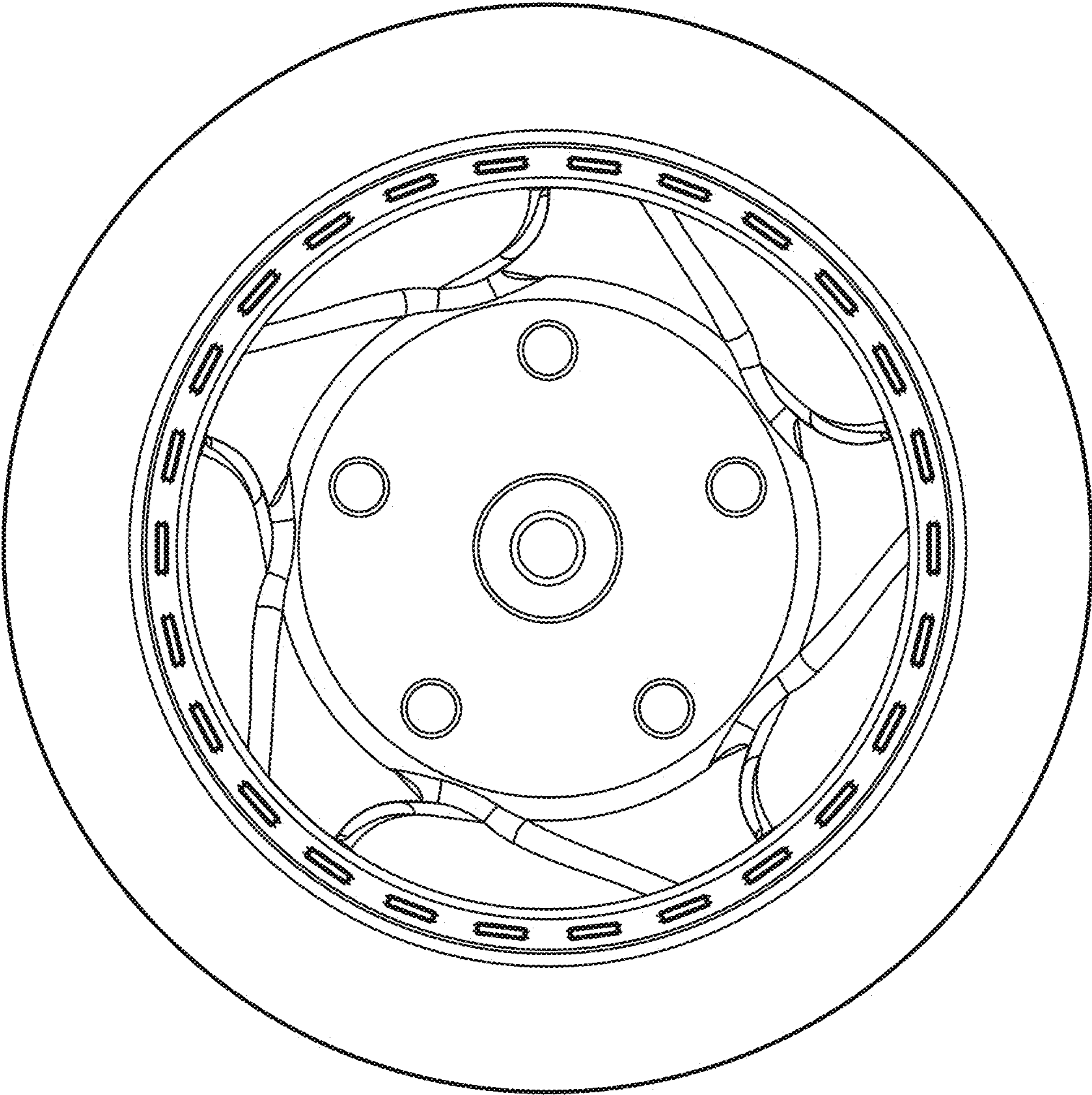


FIG - 7