



US00D903084S

(12) **United States Design Patent** (10) **Patent No.:** **US D903,084 S**
Huang et al. (45) **Date of Patent:** **** *Nov. 24, 2020**

(54) **VENTILATION FAN**

(71) Applicant: **DELTA ELECTRONICS, INC.**,
Taoyuan (TW)

(72) Inventors: **Yu-Hsiang Huang**, Taoyuan (TW);
Chih-Hua Lin, Taoyuan (TW)

(73) Assignee: **DELTA ELECTRONICS, INC.**,
Taoyuan (TW)

(*) Notice: This patent is subject to a terminal disclaimer.

(**) Term: **15 Years**

(21) Appl. No.: **29/642,944**

(22) Filed: **Apr. 3, 2018**

(51) **LOC (12) Cl.** **23-04**

(52) **U.S. Cl.**
USPC **D23/370; D23/385**

(58) **Field of Classification Search**
USPC **D23/370-376, 381, 385-397, 411;**
D26/59, 72, 74, 85, 88-89, 113, 118-120
CPC **F24F 13/28; F24F 7/007; F24F 2001/0037;**
F24F 7/10; F24F 13/06
See application file for complete search history.

(56) **References Cited**

U.S. PATENT DOCUMENTS

D207,561 S *	5/1967	Bedell	D23/371
D331,638 S *	12/1992	Vamberszky	D26/118
D341,443 S *	11/1993	Shapiro	D26/118
D349,778 S *	8/1994	Johnson	D26/86
D372,775 S *	8/1996	Schuler	D23/371
D382,663 S *	8/1997	Barry	D26/72
D459,094 S *	6/2002	Stone	D6/309
D464,164 S *	10/2002	Thompson	D26/89
D527,812 S *	9/2006	Brown	D23/390
D538,422 S *	3/2007	Hooijmaaijers	D23/387
D622,876 S *	8/2010	Takahashi	D26/1
D634,882 S *	3/2011	Kim	D26/120

D641,520 S *	7/2011	Grajcar	D26/152
D655,850 S *	3/2012	Sabernig	D26/85
D664,369 S *	7/2012	Duma	D6/309
D672,864 S *	12/2012	Miyake	D23/385
D679,046 S *	3/2013	Hoshino	D26/120
D681,867 S *	5/2013	Wegger	D26/124
D712,963 S *	9/2014	Fleet	D19/113
D730,563 S *	5/2015	Renshaw	D26/89
D742,059 S *	10/2015	Gettings	D26/120
D752,199 S *	3/2016	Berkman	D23/370
D752,200 S *	3/2016	Huang	D23/385

(Continued)

OTHER PUBLICATIONS

Utilitech Ventilation Fan 1.5-Sone 100-CFM White Bathroom Fan Energy Star, date first reviewed Sep. 4, 2019, site visited Oct. 27, 2019, available from internet, <<https://www.lowes.com/pd/Utilitech-Ventilation-Fan-1-5-Sone-100-CFM-White-Bathroom-Fan-ENERGY-STAR/1001062224>>.*

(Continued)

Primary Examiner — Cathron C Brooks

Assistant Examiner — Sharon S Oum

(74) *Attorney, Agent, or Firm* — Muncy, Geissler, Olds & Lowe, P.C.

(57) **CLAIM**

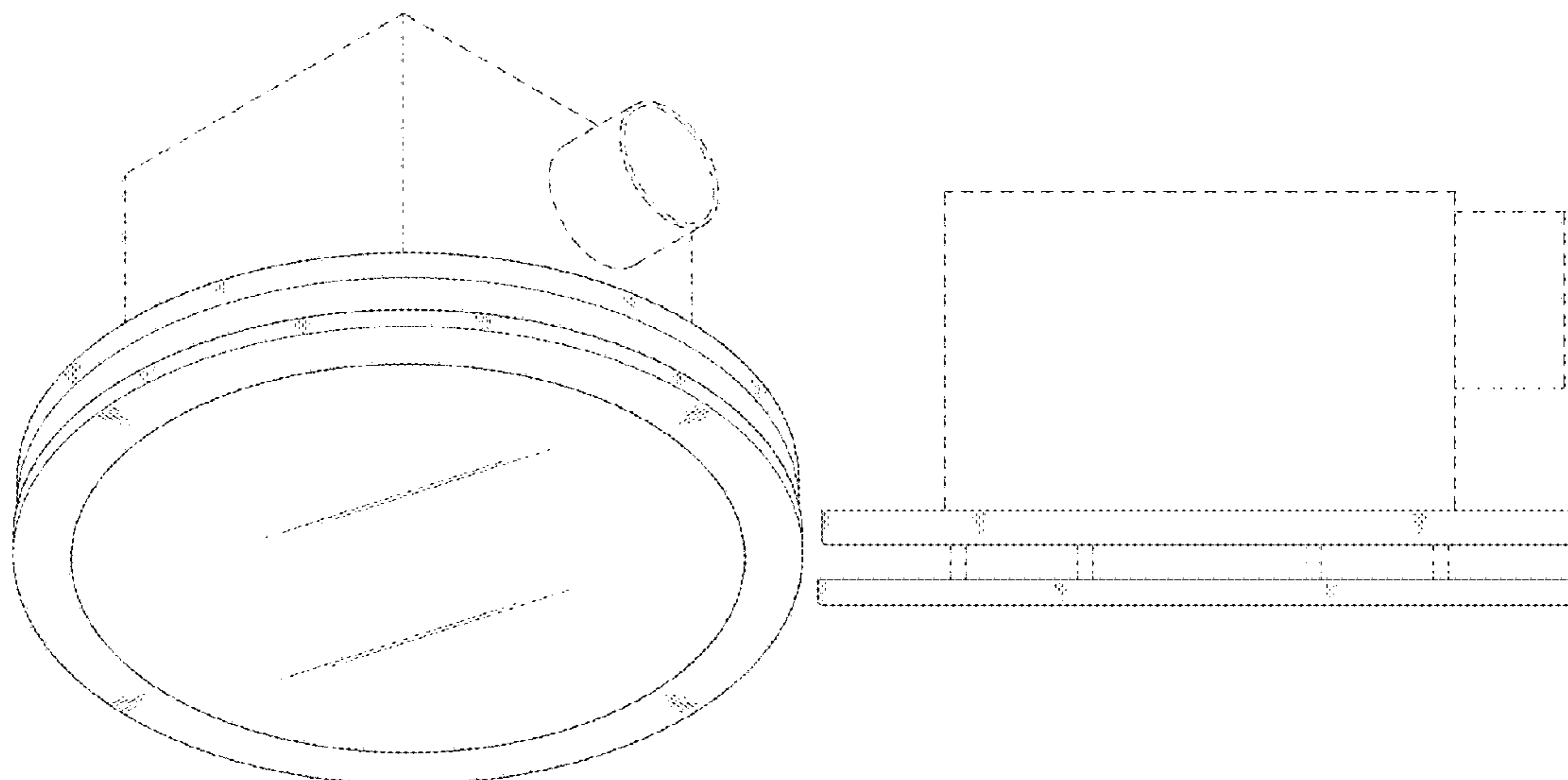
The ornamental design for ventilation fan, as shown and described.

DESCRIPTION

FIG. 1 is a perspective view according to our new design; FIG. 2 is a front view thereof; FIG. 3 is a rear front view thereof; FIG. 4 is a left side view thereof; FIG. 5 is a right side view thereof; FIG. 6 is a top view thereof; and, FIG. 7 is a bottom view thereof.

The broken lines illustrate portions of the ventilation fan that form no part of the claimed design.

1 Claim, 5 Drawing Sheets



(56)

References Cited

U.S. PATENT DOCUMENTS

D756,501 S * 5/2016 Park D23/385
D775,318 S * 12/2016 Park D23/385
D775,319 S * 12/2016 Park D23/385
D779,050 S * 2/2017 Jonas D23/388
9,702,533 B1 * 7/2017 Harpenau F21V 21/03
D798,247 S * 9/2017 Meincke D13/180
D801,512 S * 10/2017 Hall D23/388
D827,914 S * 9/2018 Momin D26/124
D832,416 S * 10/2018 Huang D23/370
D848,158 S * 5/2019 Yang D6/309
D862,779 S * 10/2019 Anderson D26/118
2008/0062643 A1 * 3/2008 Mehta F21V 23/04
361/695
2012/0087128 A1 * 4/2012 Zakula F21V 33/0088
362/249.02
2012/0087132 A1 * 4/2012 Zakula F21S 8/026
362/294
2016/0108925 A1 * 4/2016 Huang F04D 29/4226
415/121.3
2018/0066838 A1 * 3/2018 Huang F04D 29/4226
2019/0113221 A1 * 4/2019 Huang F21V 23/04

OTHER PUBLICATIONS

Round LED Panel Light, date first captured Jan. 10, 2015, site visited Oct. 28, 2019, Copyright © 2014, retrieved from www.archive.org, <<https://web.archive.org/web/20150110234216/https://www.ledpanellight.com/products/round-led-panel-light>>.*

* cited by examiner

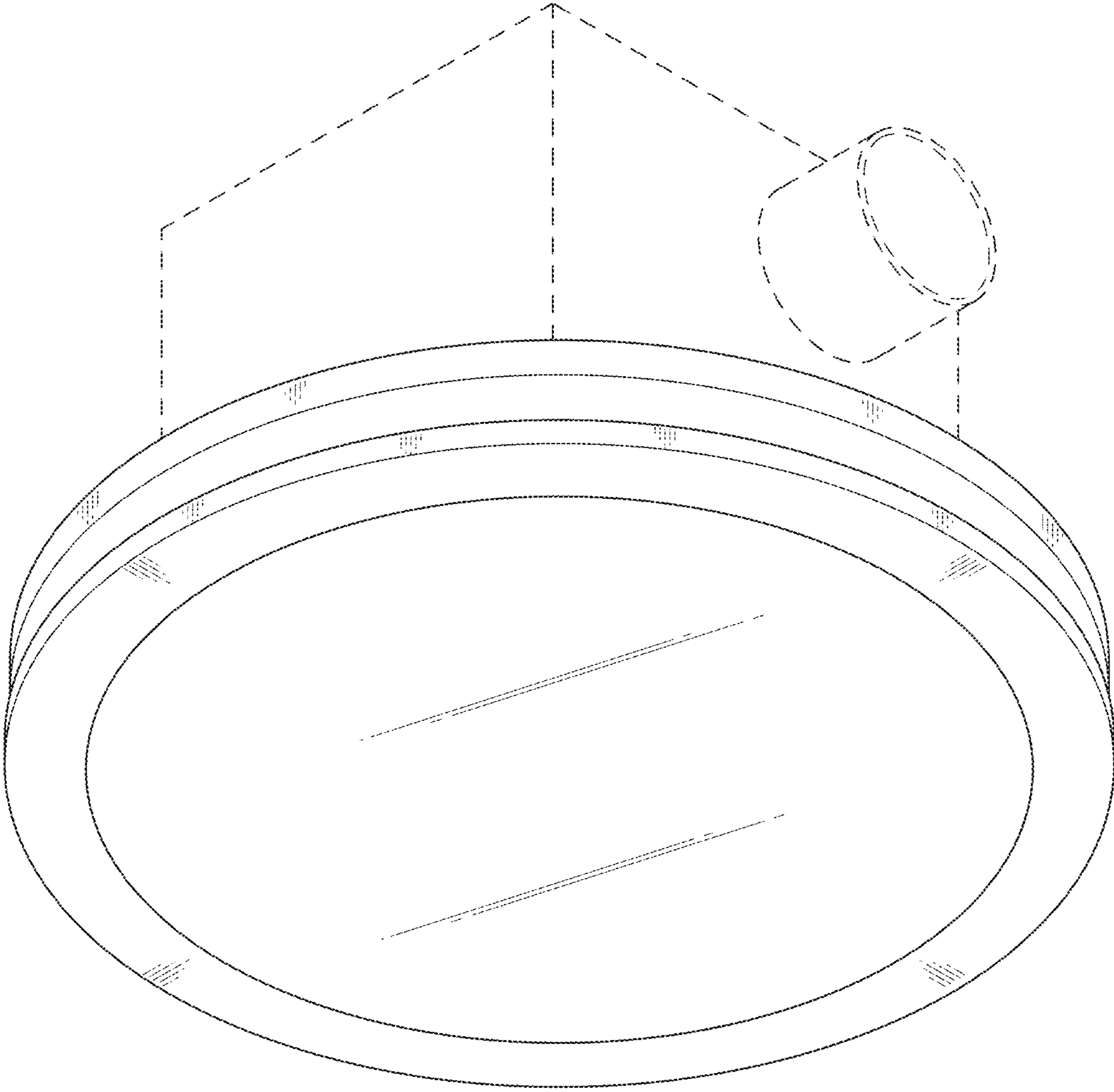


FIG.1

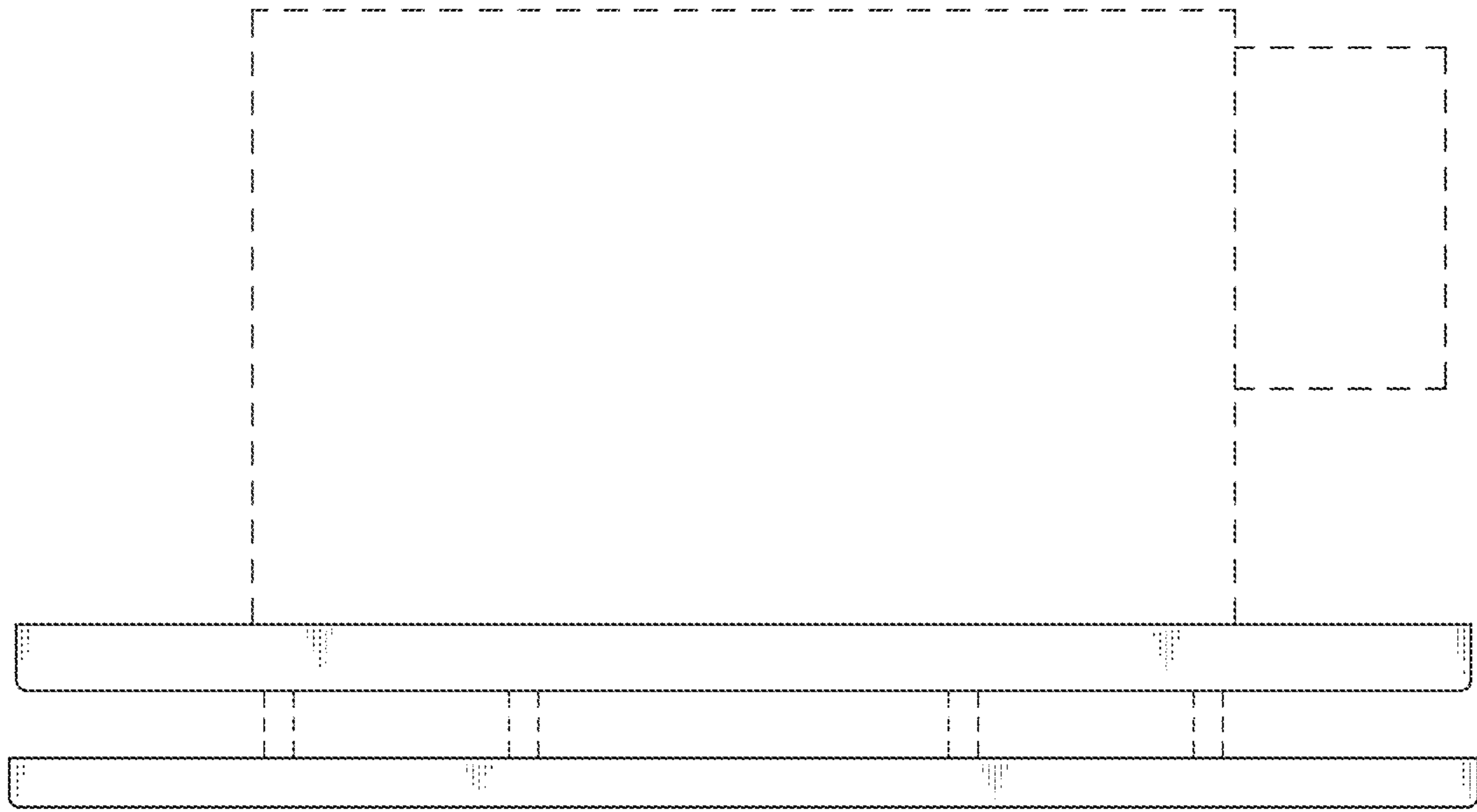


FIG. 2

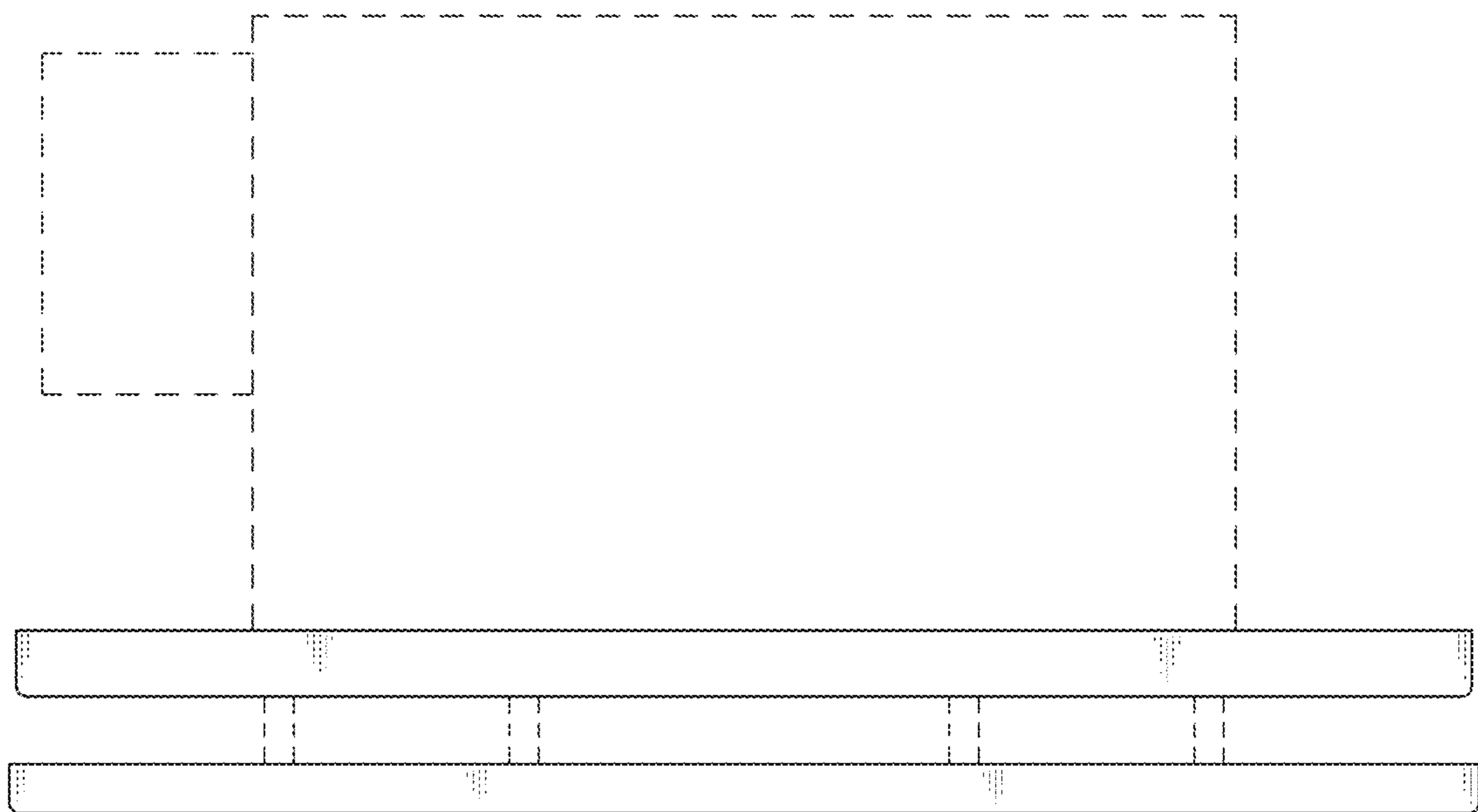


FIG. 3

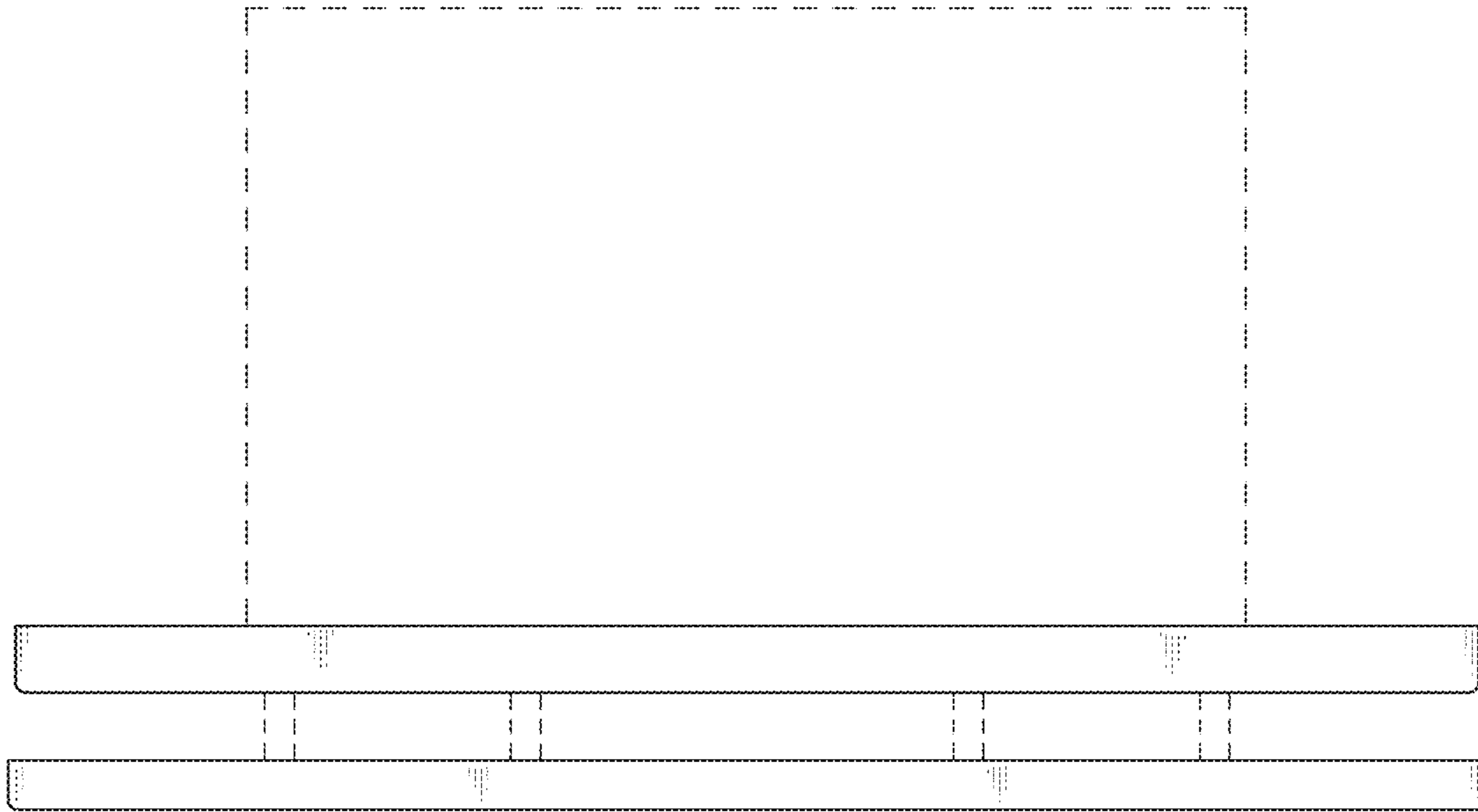


FIG.4

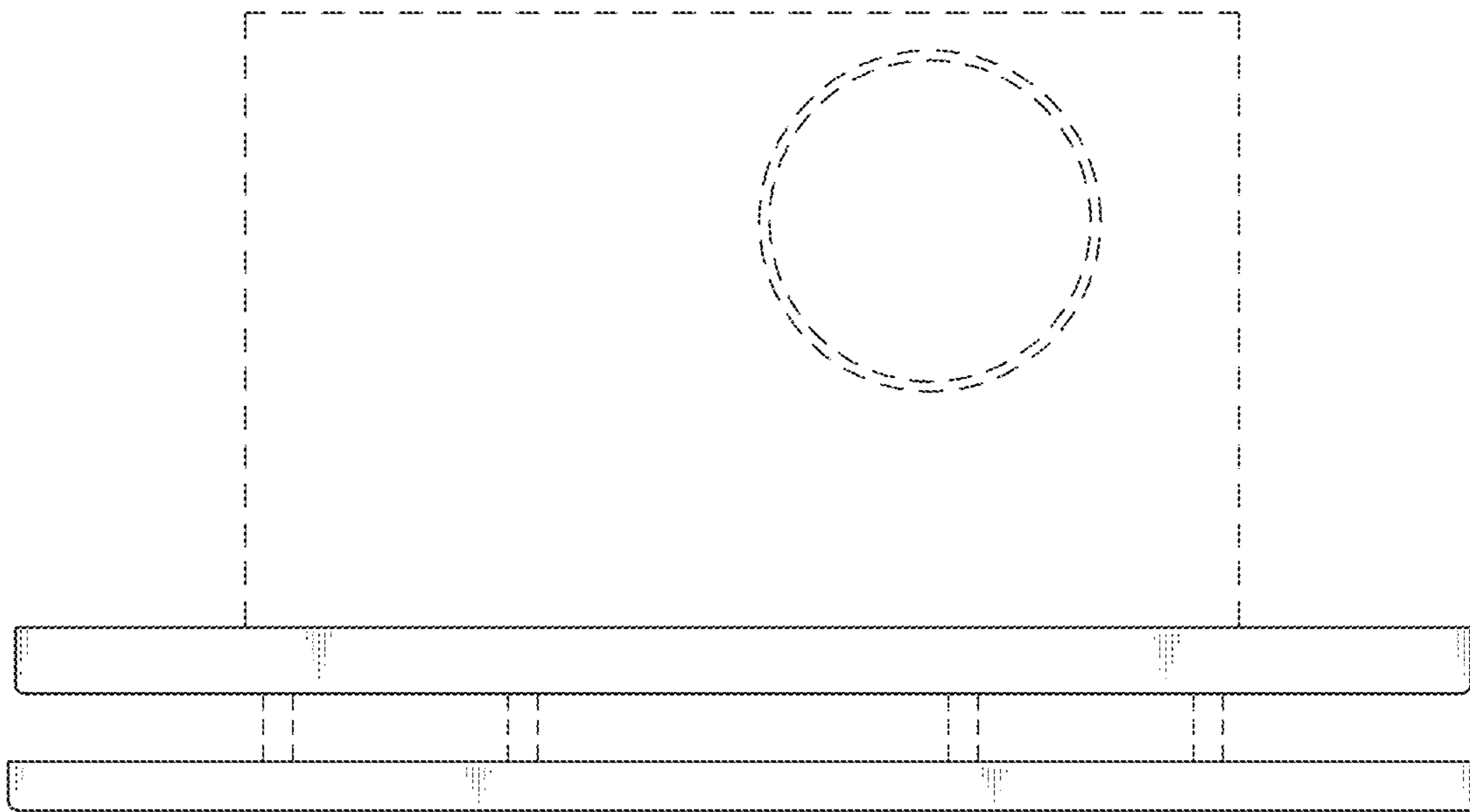


FIG.5

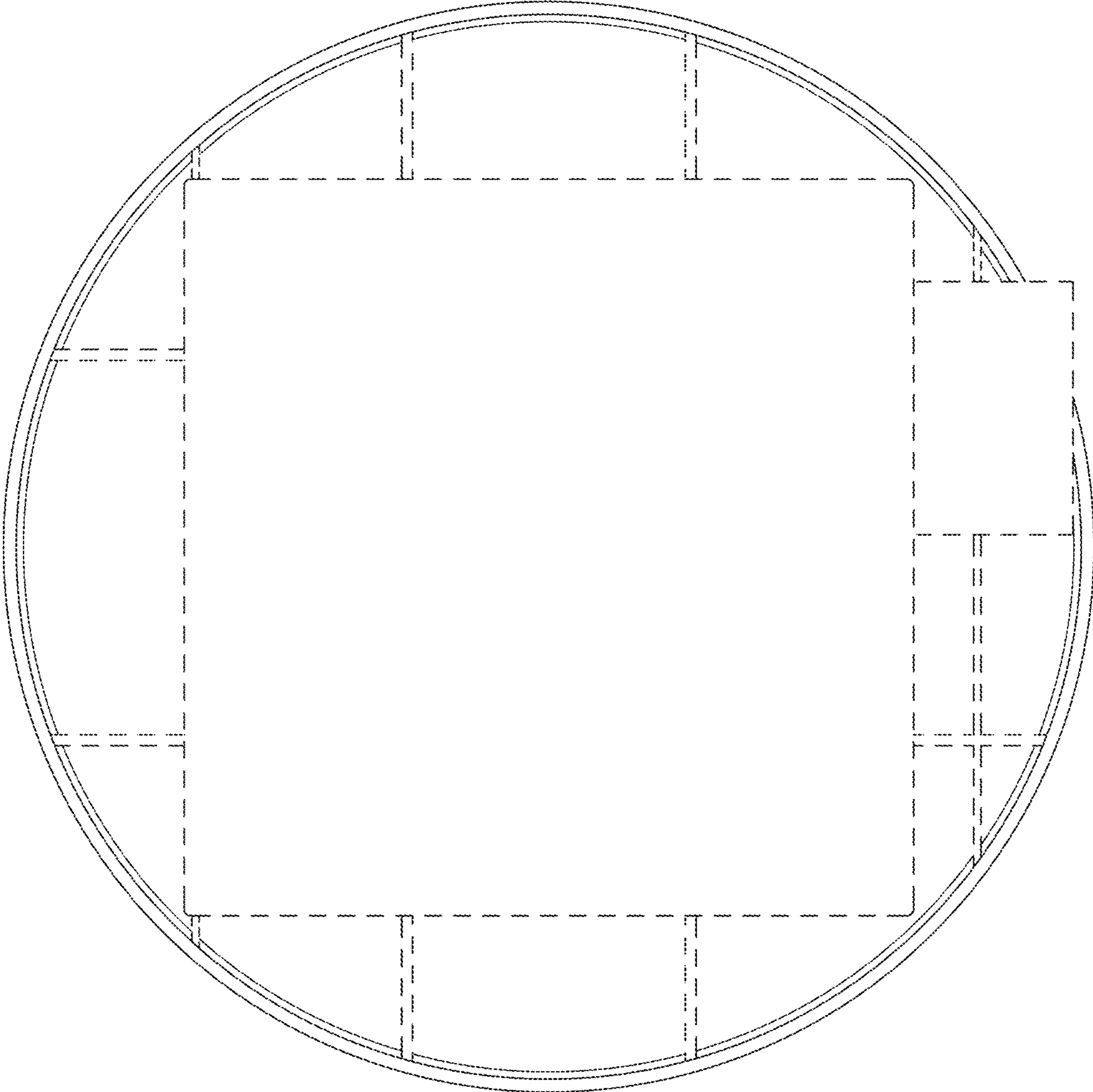


FIG.6

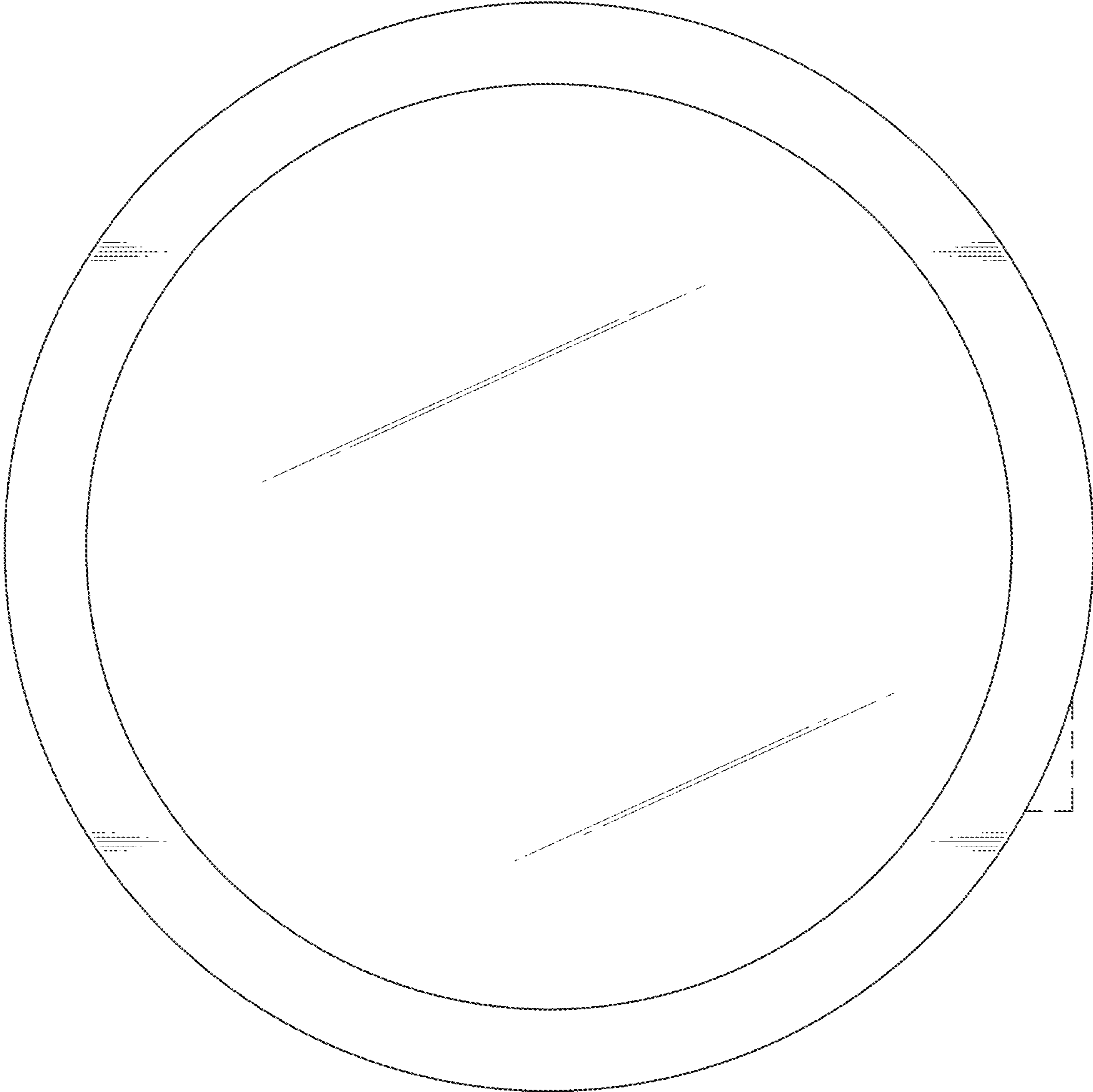


FIG.7