



US00D903082S

(12) **United States Design Patent** (10) **Patent No.:** **US D903,082 S**
Arinsmier et al. (45) **Date of Patent:** **** Nov. 24, 2020**

(54) **AIR FRESHENING DEVICE**
(71) Applicant: **The Procter & Gamble Company**,
Cincinnati, OH (US)
(72) Inventors: **Keri Marsh Arinsmier**, Mason, OH
(US); **Rainer Bernhard Teufel**,
Worthington, OH (US); **Romina**
Adriana Barrera Enciso, Columbus,
OH (US)
(73) Assignee: **The Procter & Gamble Company**,
Cincinnati, OH (US)
(**) Term: **15 Years**
(21) Appl. No.: **29/673,747**
(22) Filed: **Dec. 18, 2018**
(51) **LOC (12) Cl.** **23-04**
(52) **U.S. Cl.**
USPC **D23/366**
(58) **Field of Classification Search**
USPC D23/208, 355-369, 386
CPC A61L 9/02; A61L 9/03; A61L 9/12; A61L
9/035; A61L 9/125
See application file for complete search history.

(56) **References Cited**
U.S. PATENT DOCUMENTS
D381,410 S * 7/1997 Muller D23/366
D462,431 S * 9/2002 Bunce D23/366

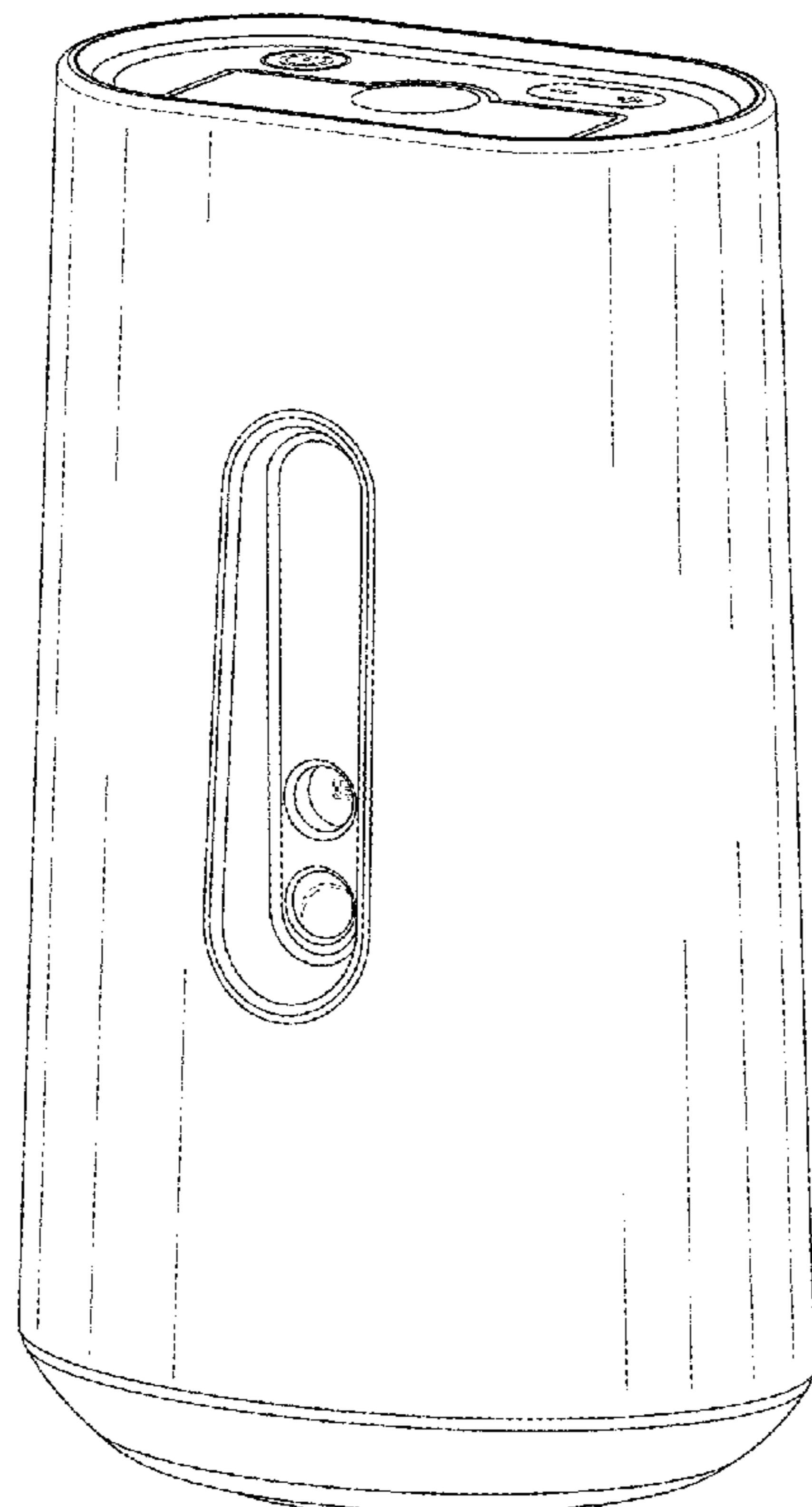
D595,829 S * 7/2009 Drucker D23/366
D683,439 S * 5/2013 Choi D23/364
D691,253 S * 10/2013 Chen D23/366
D729,919 S * 5/2015 Yeom D23/359
D766,415 S * 9/2016 Kim D23/364
D768,834 S * 10/2016 Schuller D23/366
D793,543 S * 8/2017 Alnæs D23/364
D797,913 S * 9/2017 Asvaintra D23/351
D844,766 S * 4/2019 Miao D23/364
D864,372 S * 10/2019 Lee D23/366
D874,626 S * 2/2020 Protet D23/356
2018/0290103 A1* 10/2018 Choi F24F 3/14

* cited by examiner
Primary Examiner — Sheryl Lane
Assistant Examiner — Calvin E Vansant
(74) *Attorney, Agent, or Firm* — Abbey A. Lopez

(57) **CLAIM**
The ornamental design for an air freshening device, as
shown and described.

DESCRIPTION
FIG. 1 is a front perspective view of an embodiment of an
air freshening device;
FIG. 2 is a front view thereof
FIG. 3 is a left view thereof;
FIG. 4 is a back view thereof;
FIG. 5 is a right view thereof;
FIG. 6 is a top view thereof; and,
FIG. 7 is a bottom view thereof.
The broken lines shown in the drawings depict portions of
the air freshener device and form no part of the claim.

1 Claim, 3 Drawing Sheets



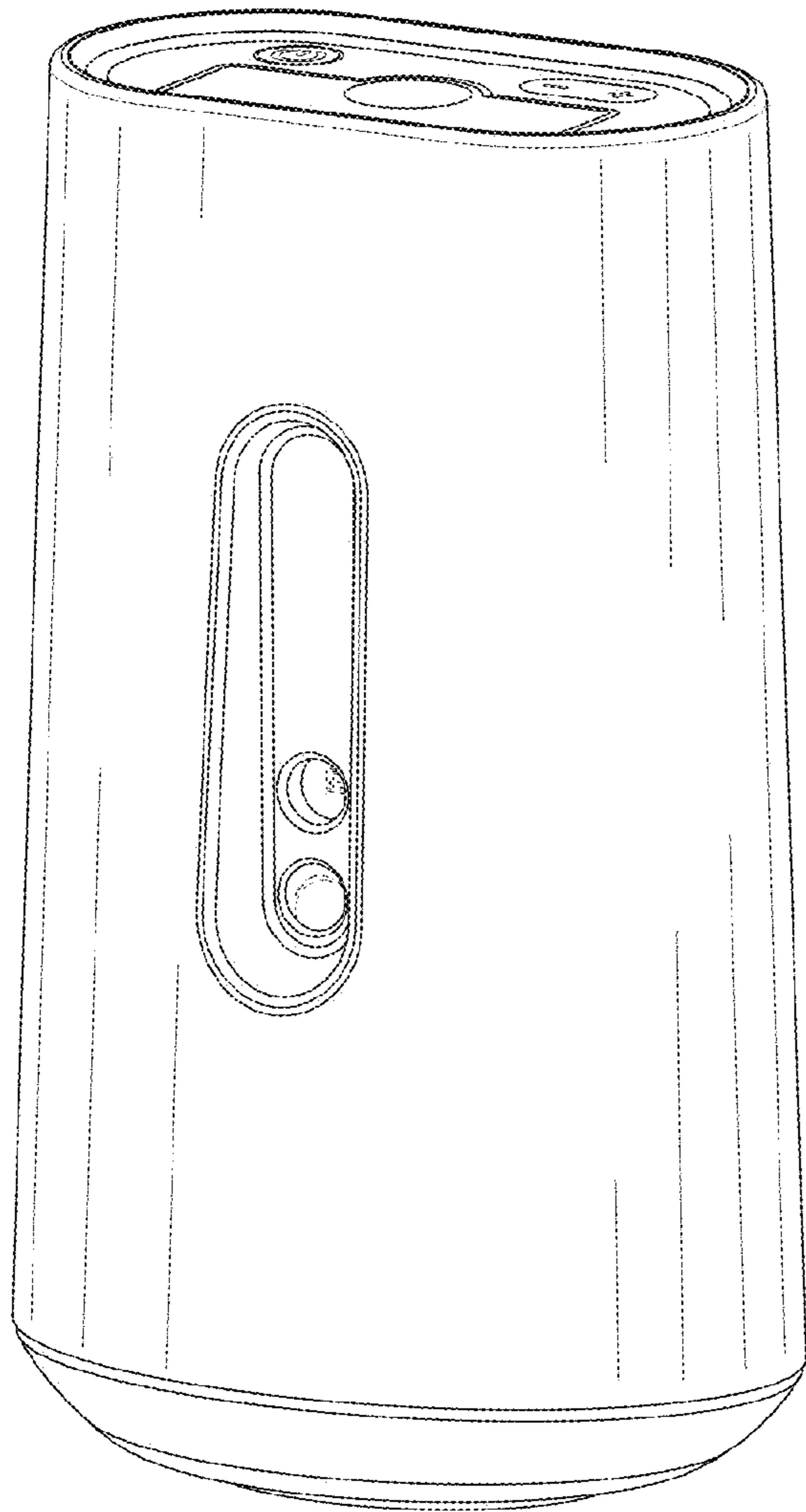


FIG. 1

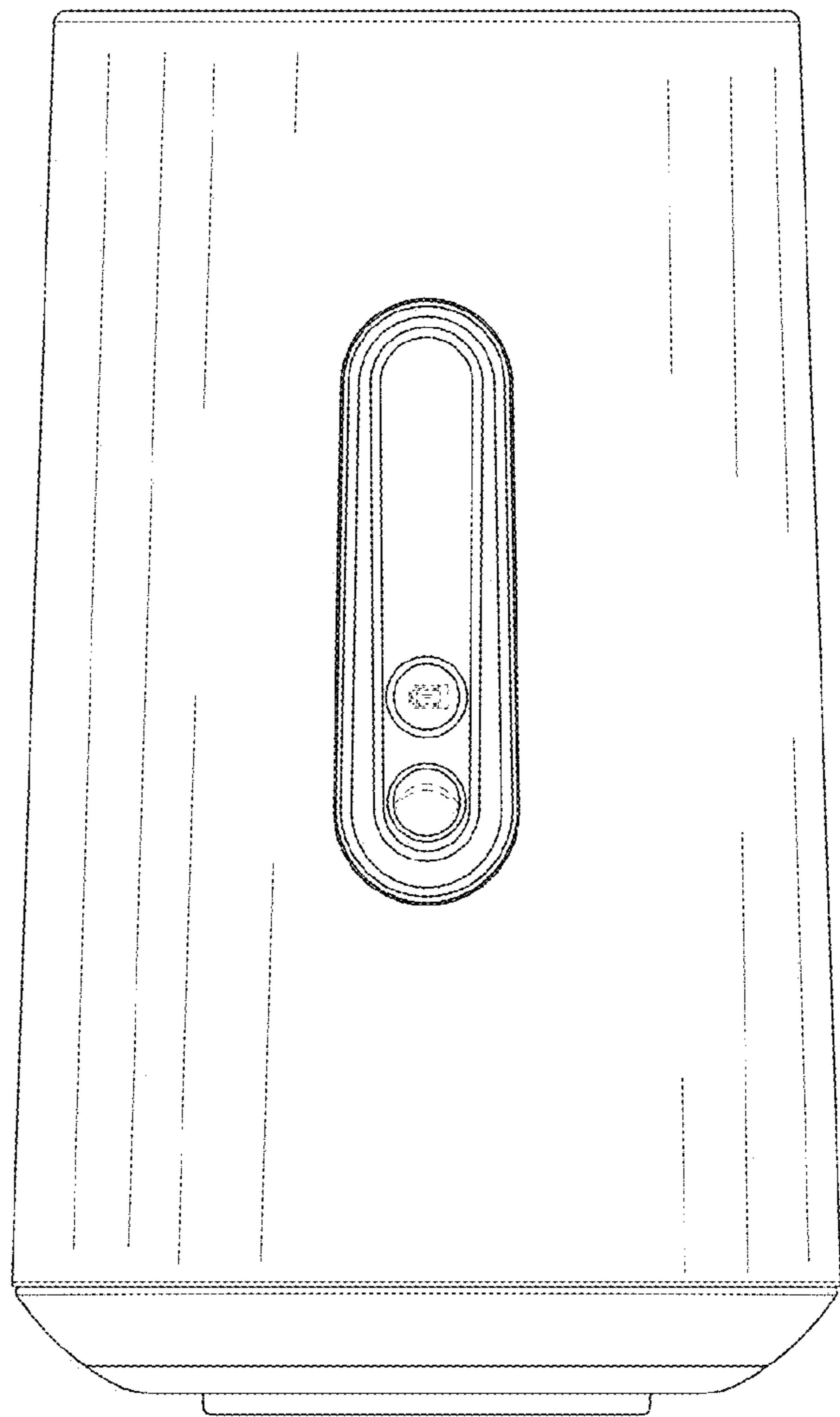


FIG. 2

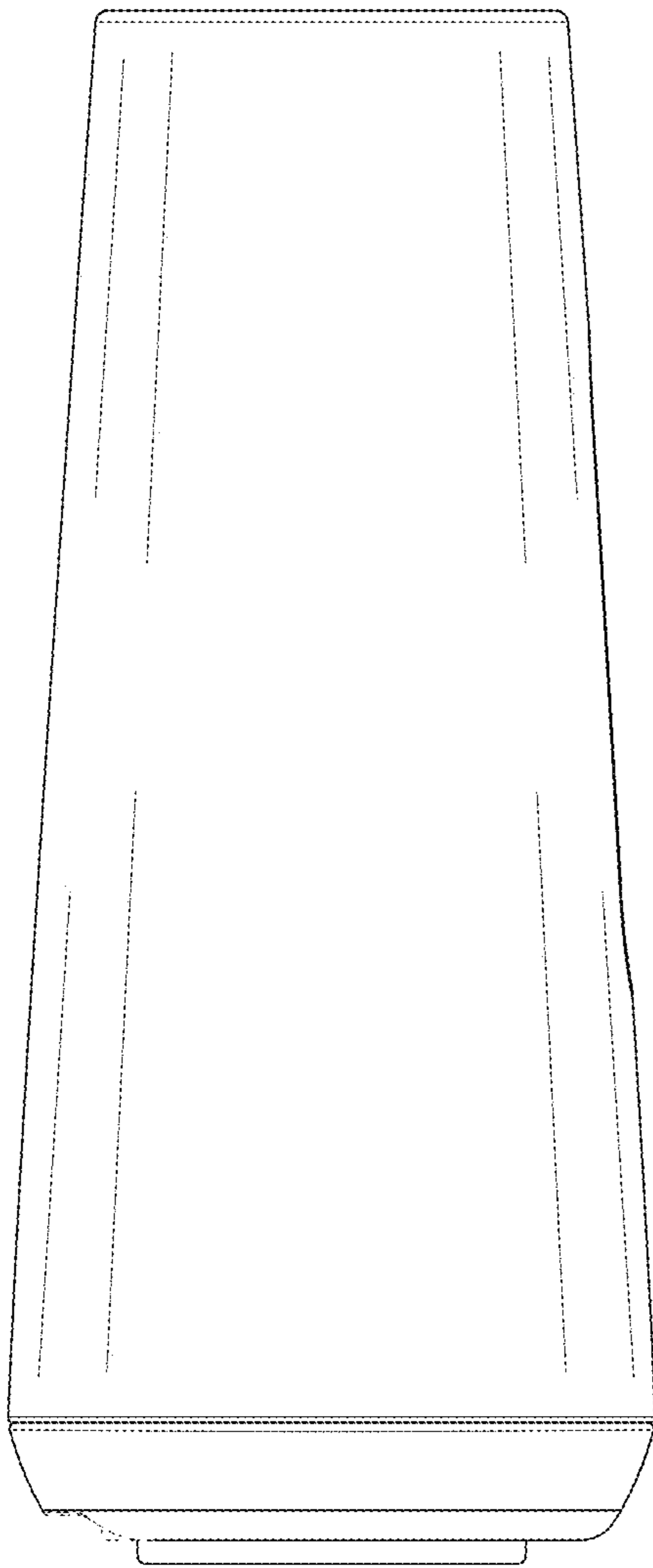


FIG. 3

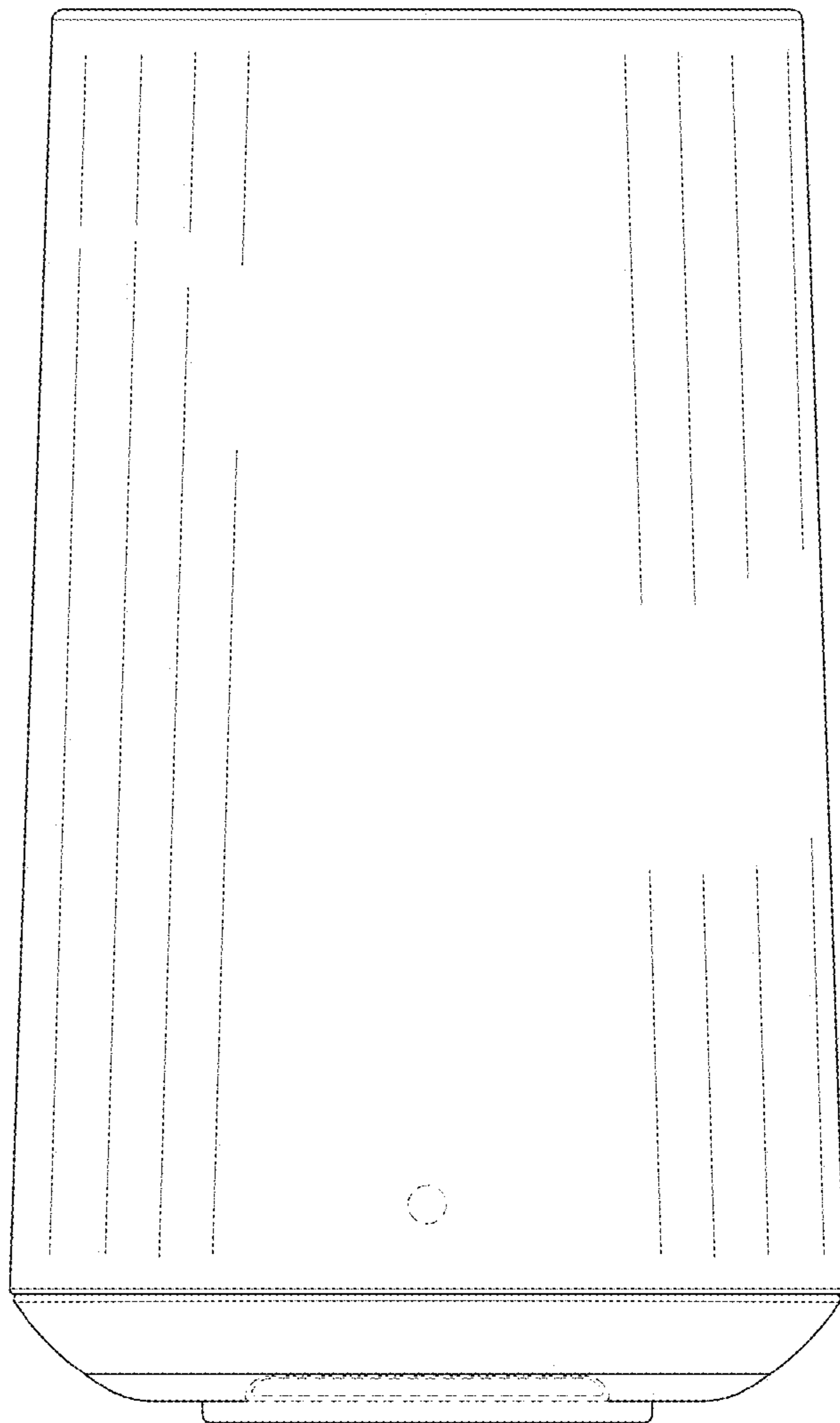


FIG. 4

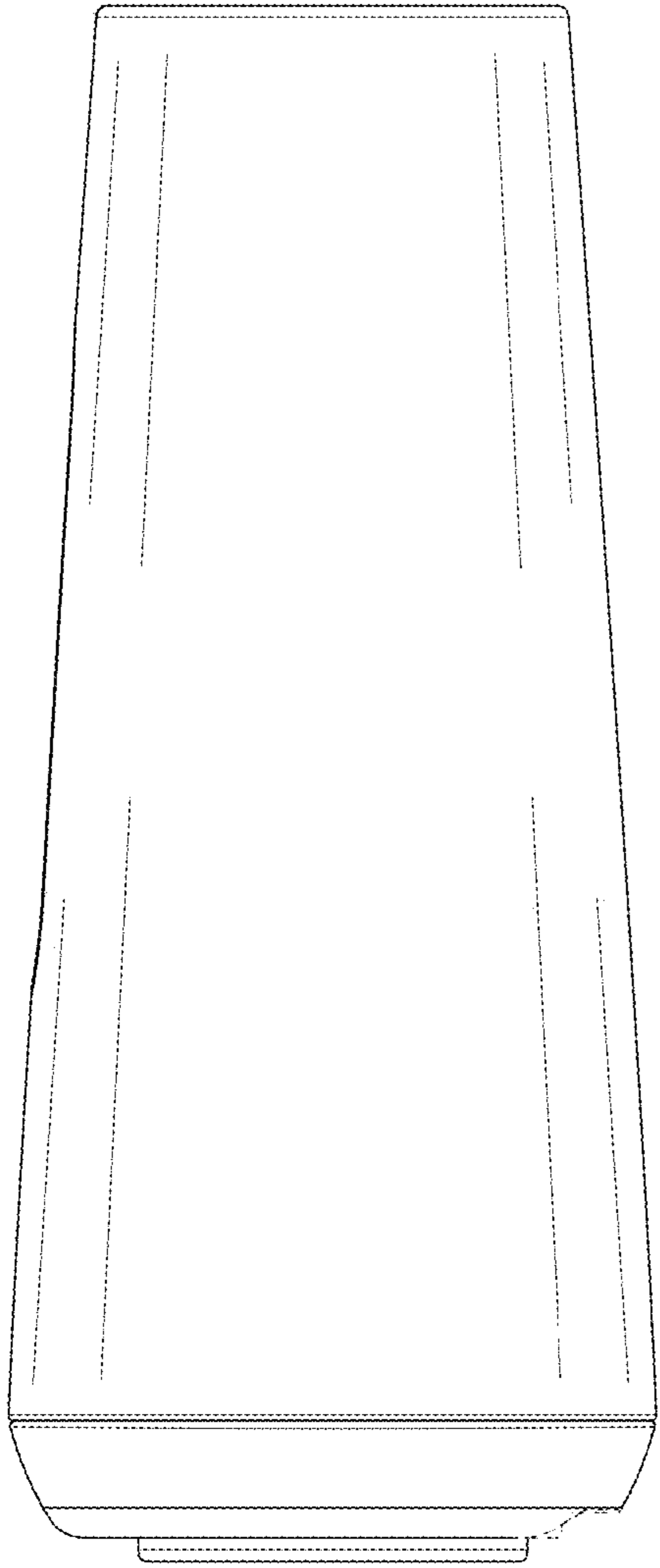


FIG. 5

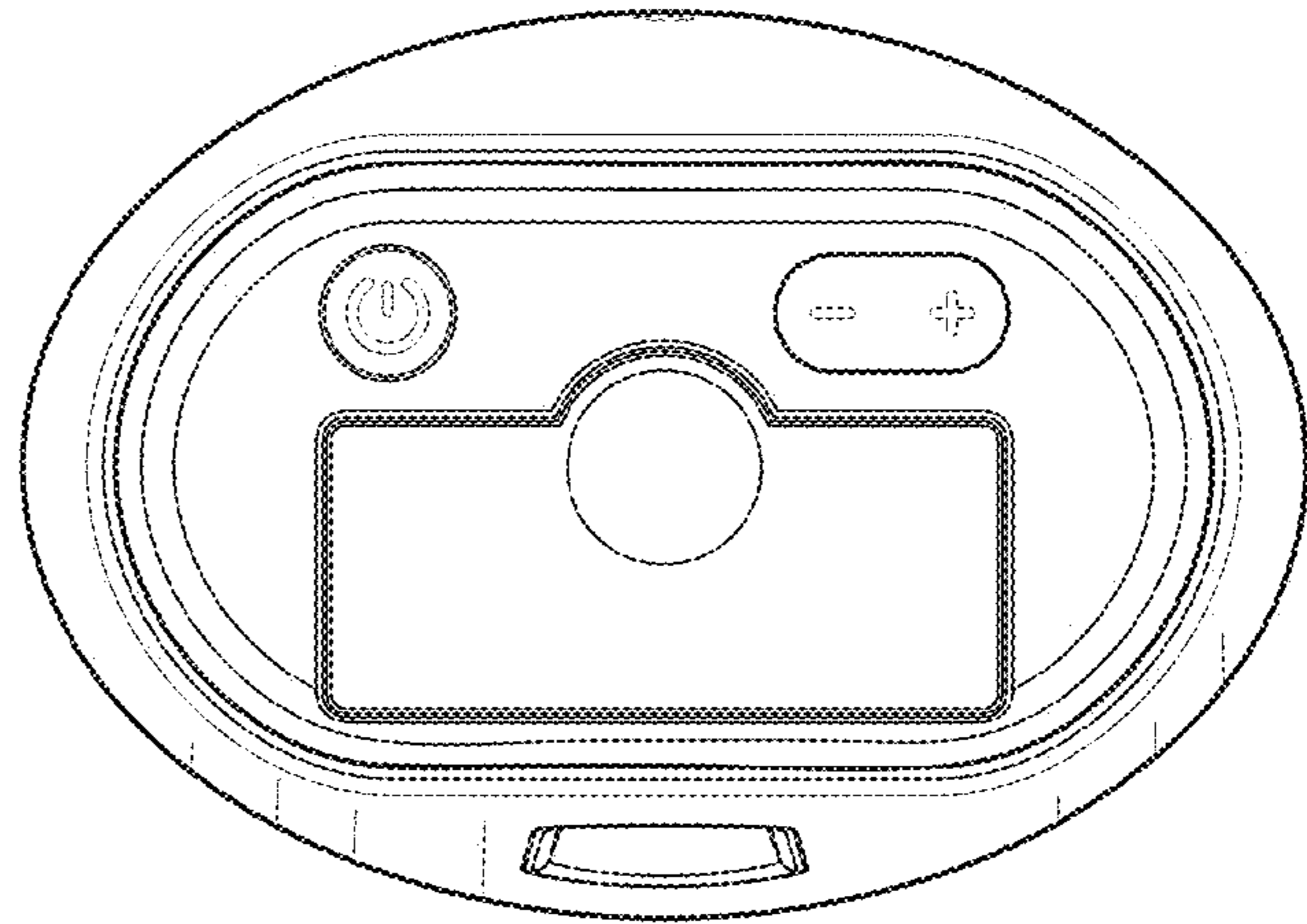


FIG. 6

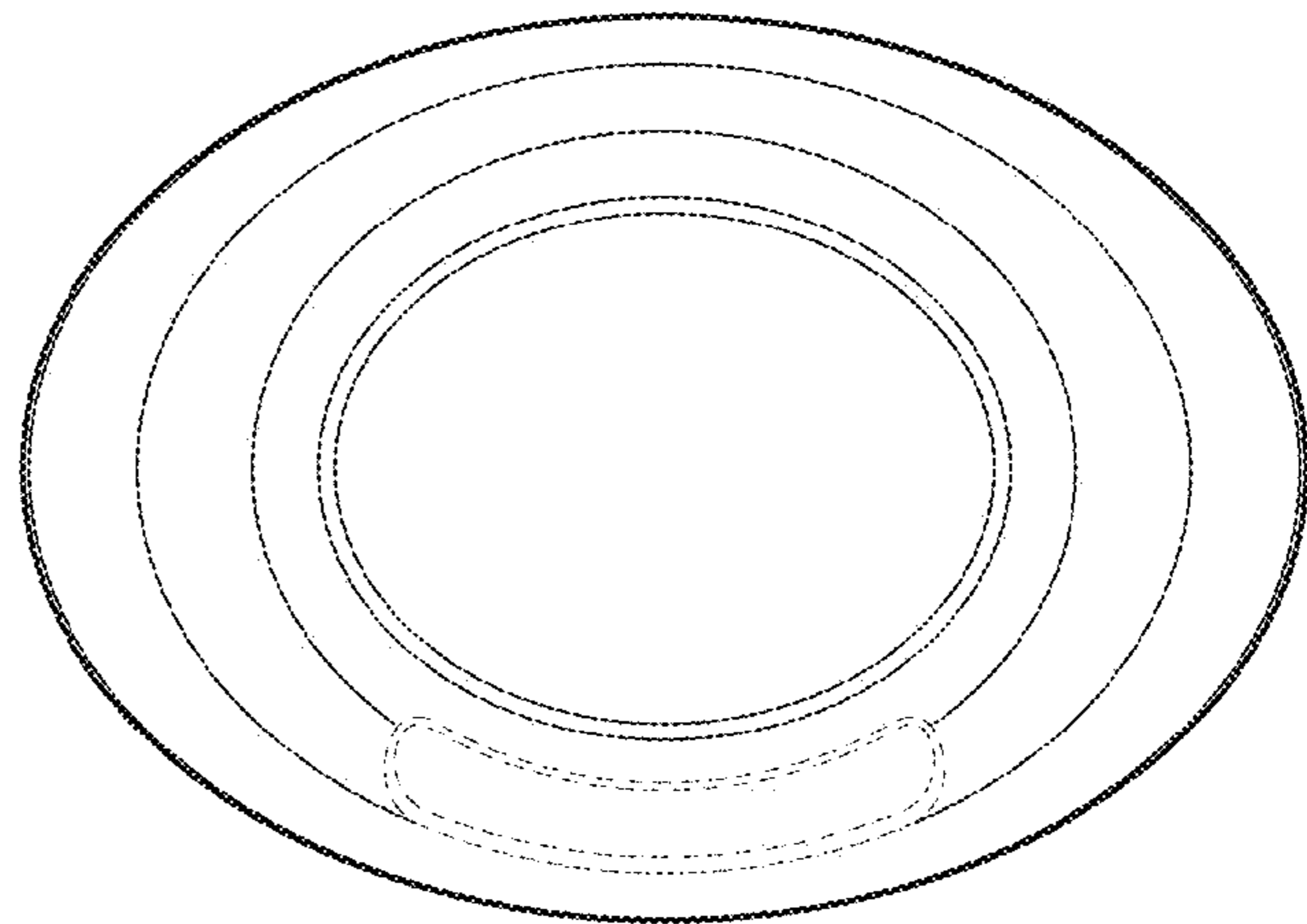


FIG. 7