



US00D903072S

(12) **United States Design Patent** (10) **Patent No.:** **US D903,072 S**
Gu (45) **Date of Patent:** **** Nov. 24, 2020**

(54) **MOBILE AIR CONDITIONER**
(71) Applicant: **Ningbo Yimi Refrigeration Technology Co., Ltd., Ningbo (CN)**
(72) Inventor: **Qihao Gu, Ningbo (CN)**
(73) Assignee: **NINGBO YIMI REFRIGERATION TECHNOLOGY CO., LTD., Ningbo (CN)**
(**) Term: **15 Years**

D315,597 S *	3/1991	Botheras	D23/332
D319,694 S *	9/1991	Wortham	D23/336
D341,417 S *	11/1993	Wortham	D23/332
D347,683 S *	6/1994	Chiu	D23/332
D402,741 S *	12/1998	Chen	D23/335
D545,421 S *	6/2007	Pitchford	D23/332
D691,250 S *	10/2013	Chan	D23/332
D827,119 S *	8/2018	Intravatola	D23/370
D835,578 S *	12/2018	Bai	D13/108
D838,824 S *	1/2019	Sun	D23/364
D844,129 S *	3/2019	Lingenfelter	D23/383
D871,565 S *	12/2019	Ma	D23/332
D884,864 S *	5/2020	Sun	D23/364

* cited by examiner

(21) Appl. No.: **29/686,886**
(22) Filed: **Apr. 9, 2019**

Primary Examiner — Natasha Vujcic
(74) *Attorney, Agent, or Firm* — Bayramoglu Law Offices LLC

(30) **Foreign Application Priority Data**

Mar. 20, 2019 (CN) 2019 3 0116610

(51) **LOC (12) Cl.** **23-04**
(52) **U.S. Cl.**
USPC **D23/333**

(58) **Field of Classification Search**
USPC D23/333, 351–354, 388
CPC F24F 1/00; F24F 1/0007; F24F 1/02; F24F 1/08; F24F 1/42; F24F 1/56; F24F 1/60; F24F 3/044; F24F 3/048; F24F 3/16; G05D 23/1905; G05D 23/1932; G05D 23/1902; G05D 23/1931; G05B 19/0426; G05B 19/409; G05B 15/02
See application file for complete search history.

(56) **References Cited**

U.S. PATENT DOCUMENTS

D164,613 S * 9/1951 Wahlberg et al. D23/336
D256,273 S * 8/1980 Townsend D23/336

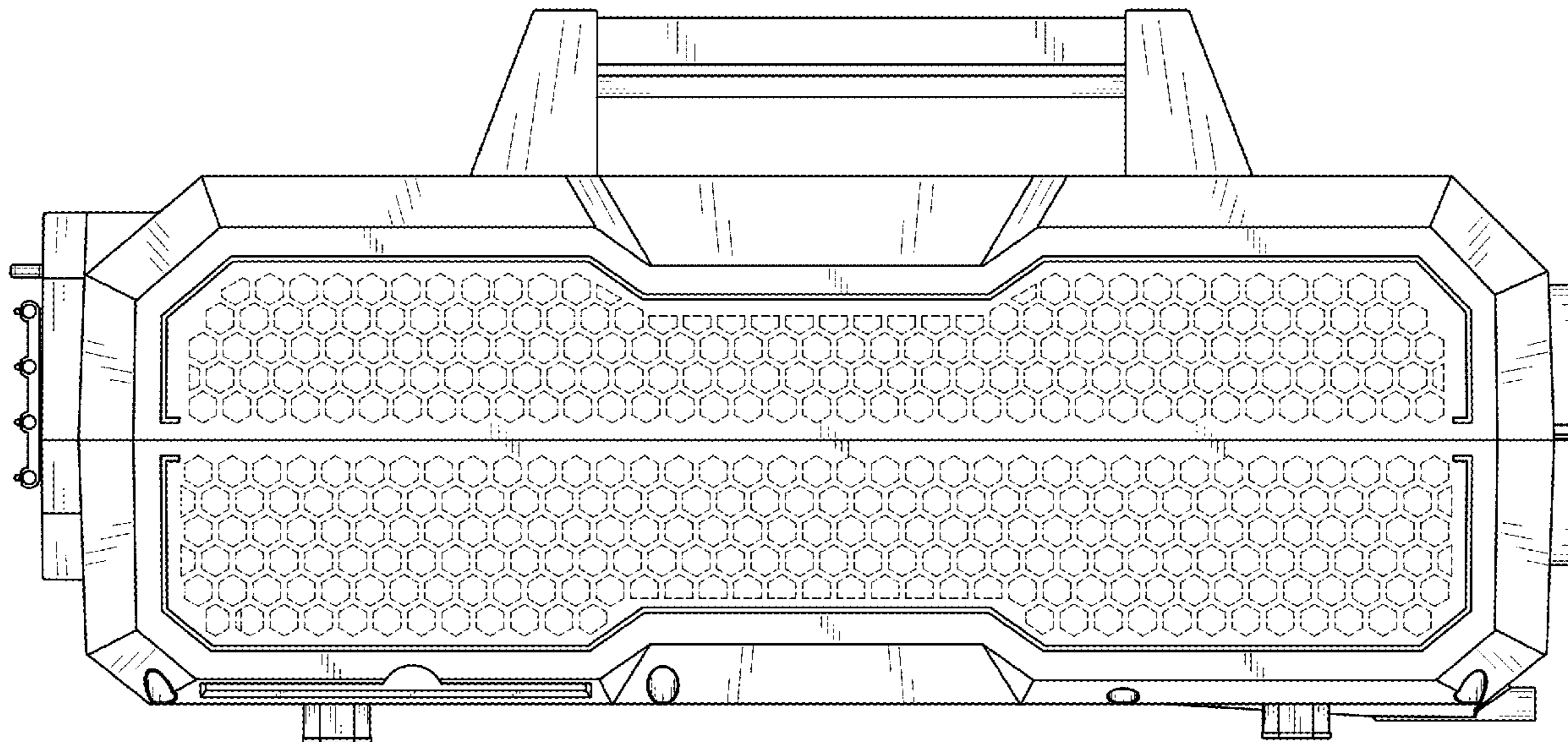
(57) **CLAIM**

The ornamental design for a mobile air conditioner, as shown and described.

DESCRIPTION

FIG. 1 is a front view of a mobile air conditioner showing the new design;
FIG. 2 is a rear view thereof;
FIG. 3 is an enlarged left view thereof;
FIG. 4 is an enlarged right view thereof;
FIG. 5 is a top view thereof;
FIG. 6 is a bottom view thereof;
FIG. 7 is a perspective side view thereof; and,
FIG. 8 is an another perspective view thereof.
The broken lines depict portions of a mobile air conditioner in which the design is embodied that form no part of the claimed design.

1 Claim, 8 Drawing Sheets



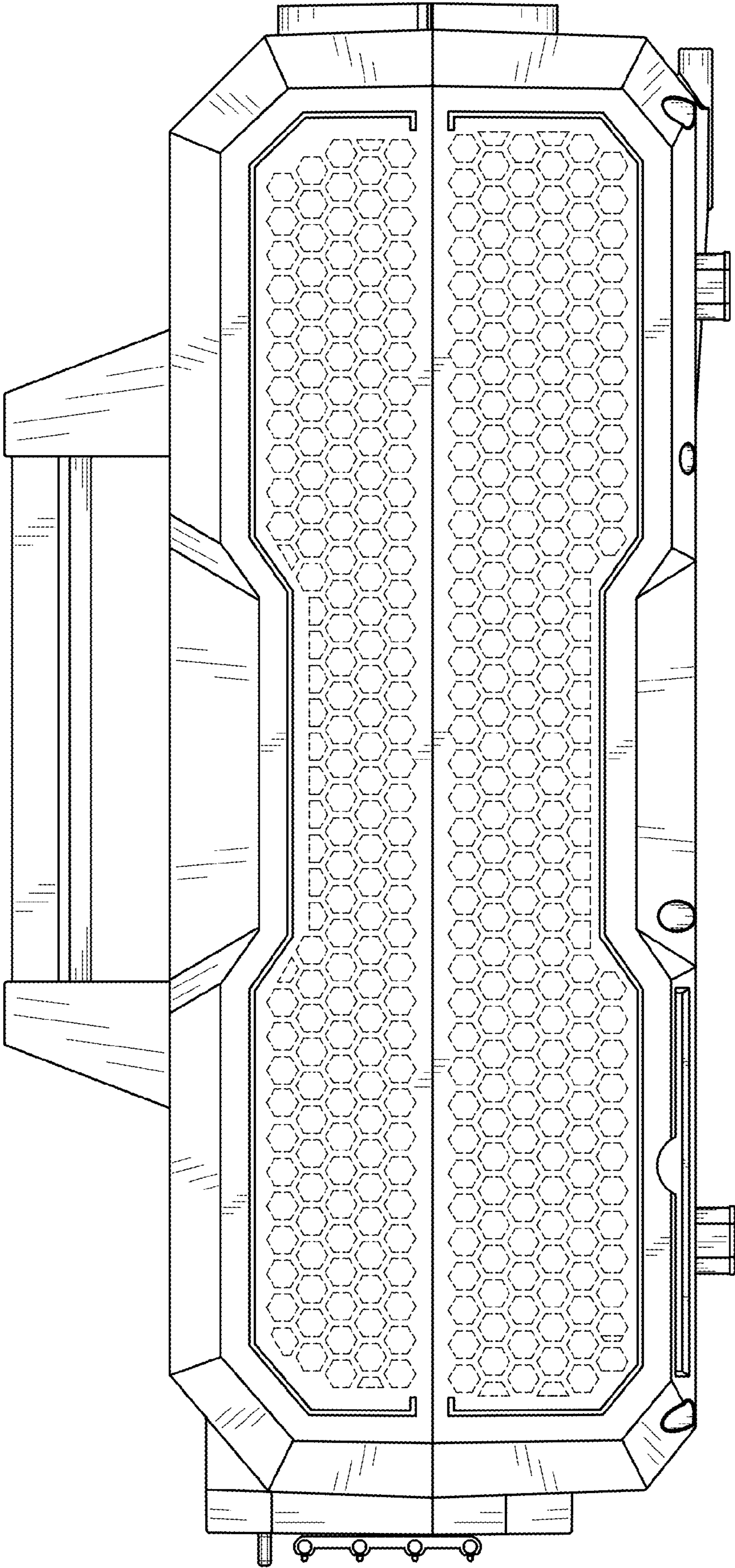


FIG. 1

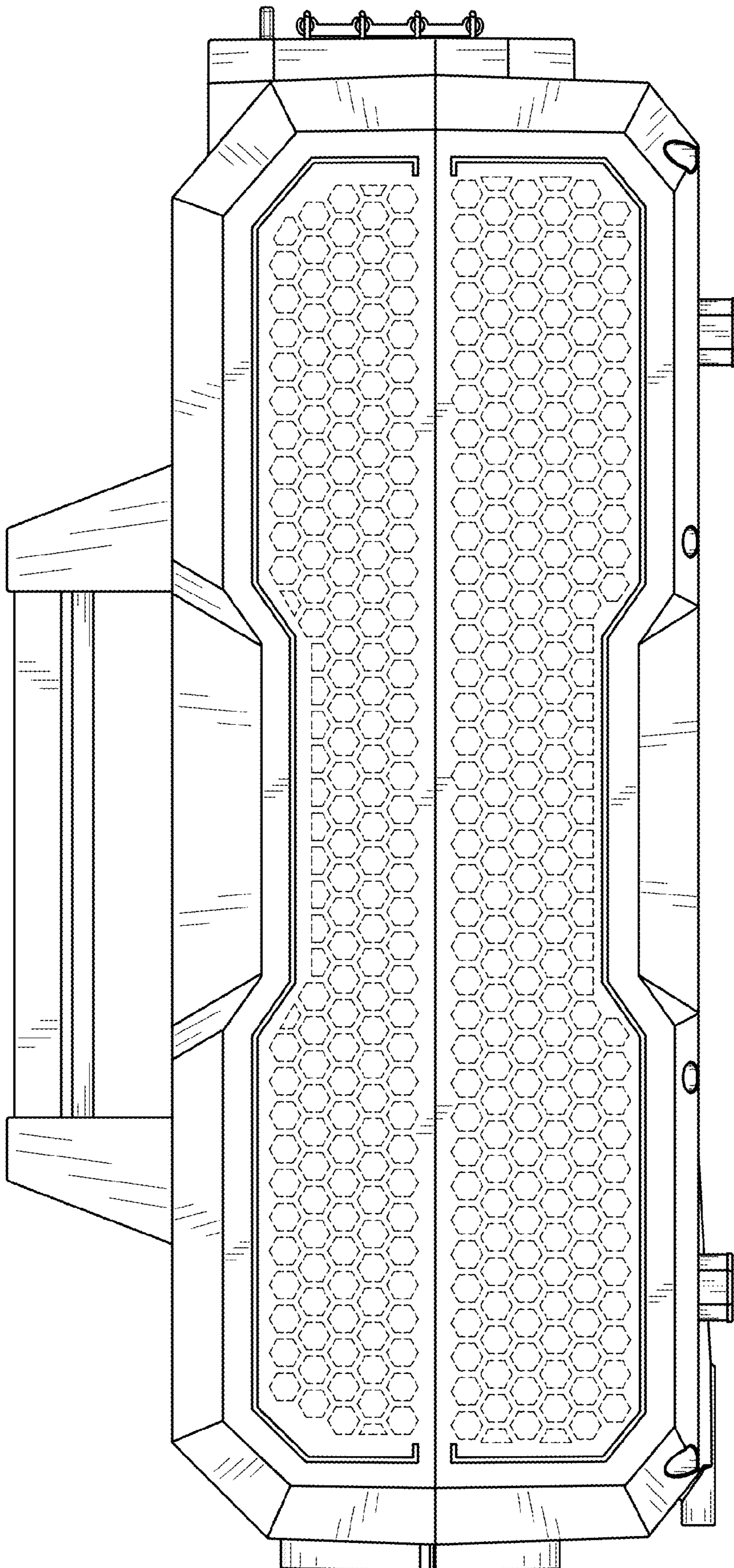


FIG. 2

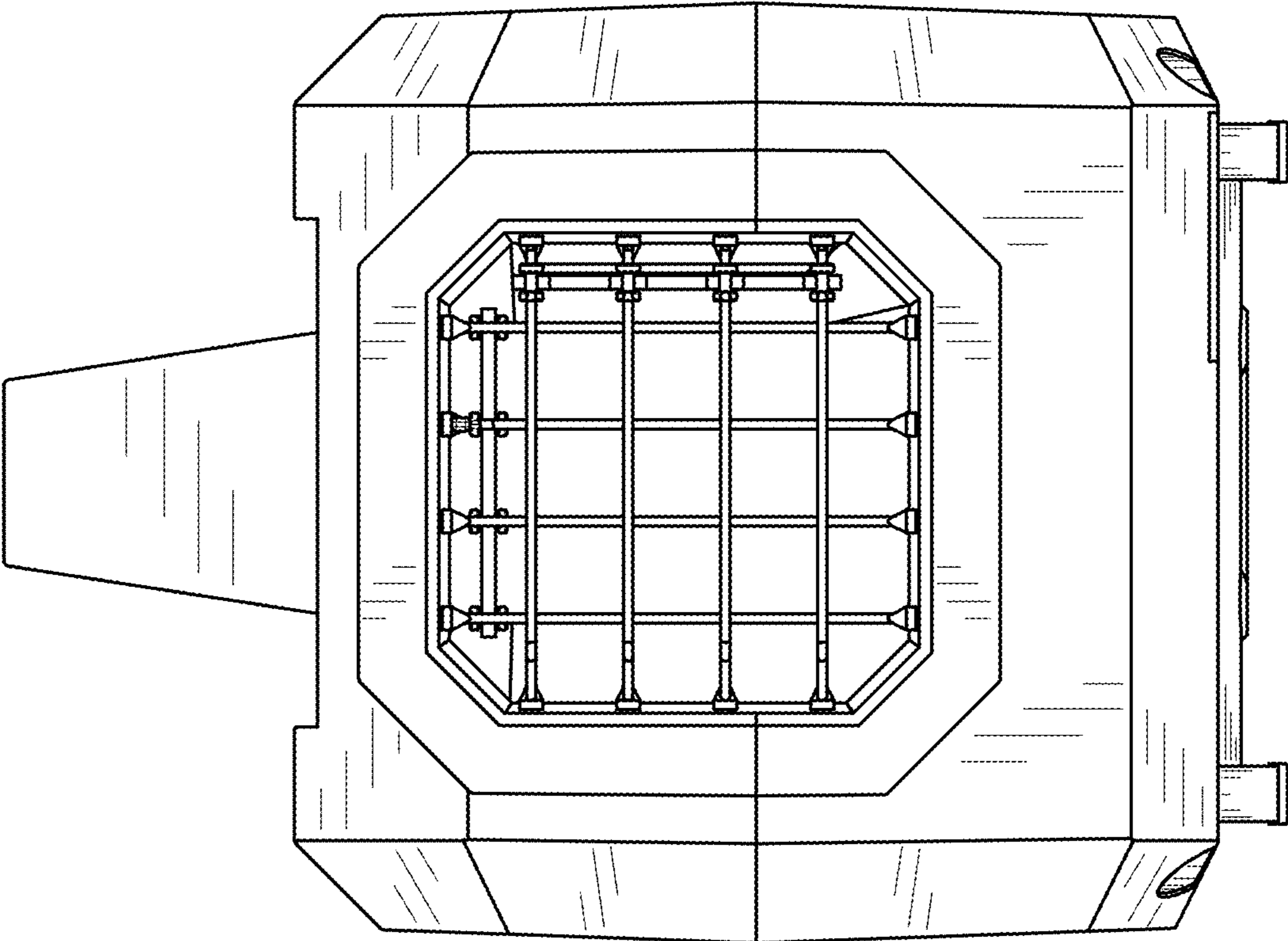


FIG. 3

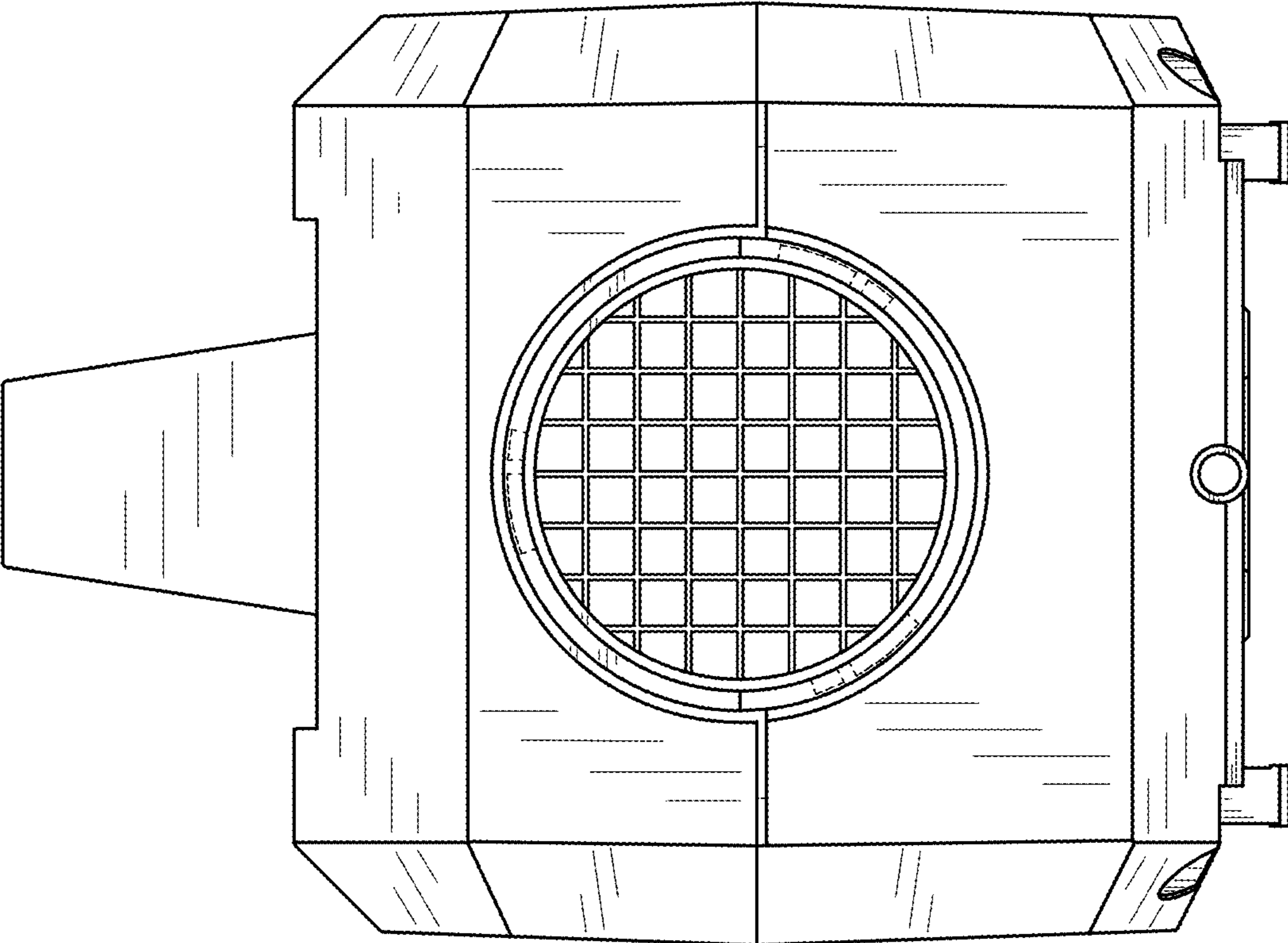


FIG. 4

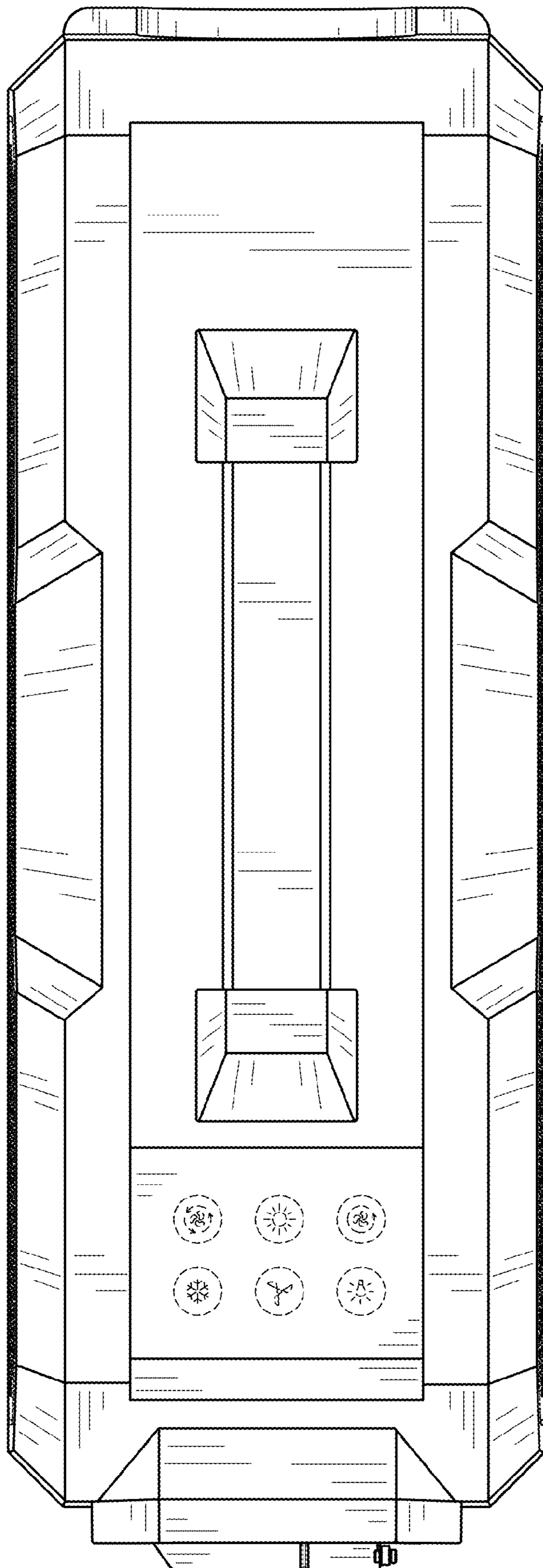


FIG. 5

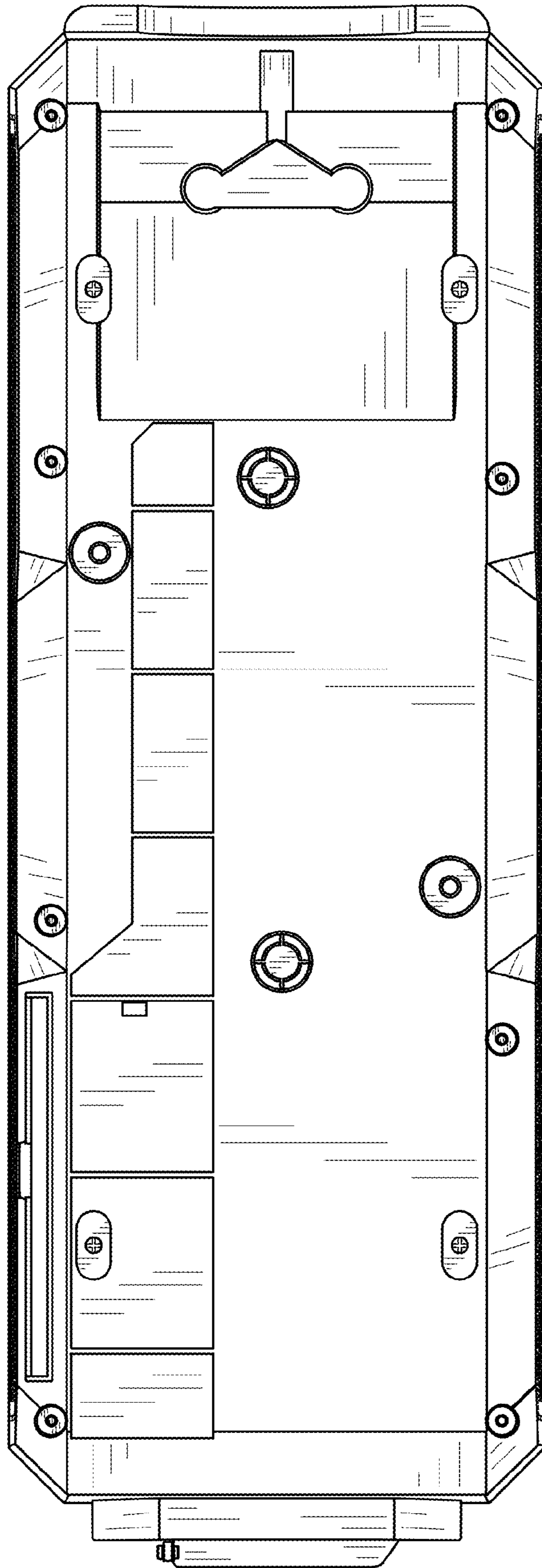


FIG. 6

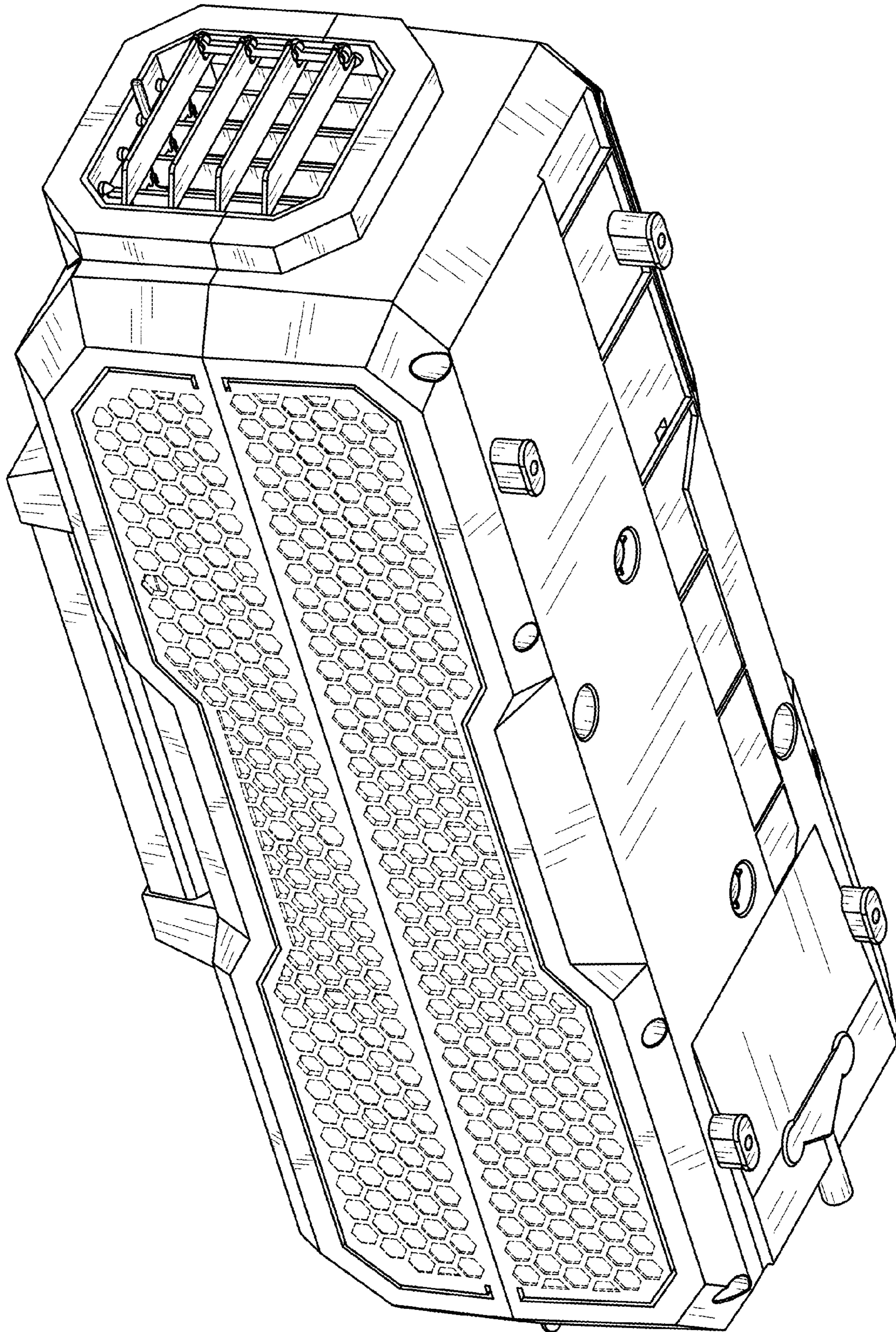


FIG. 7

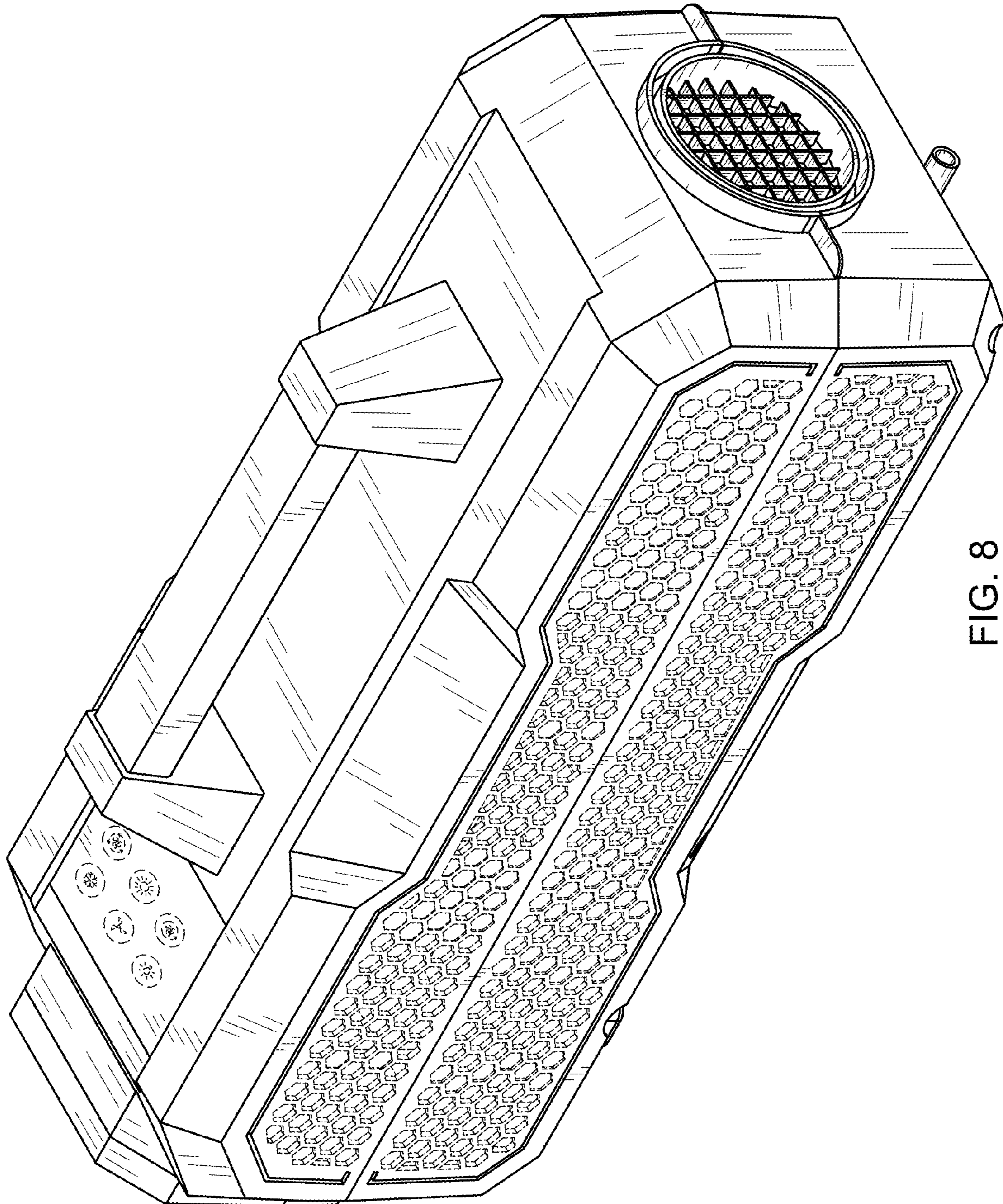


FIG. 8