



US00D903071S

(12) **United States Design Patent** (10) **Patent No.:** **US D903,071 S**
Seo (45) **Date of Patent:** **** Nov. 24, 2020**

(54) **CONDENSER FOR VEHICLES**
(71) Applicant: **Mi Rea Seo**, Hwaseong-si (KR)
(72) Inventor: **Mi Rea Seo**, Hwaseong-si (KR)
(**) Term: **15 Years**

2005/0229628 A1* 10/2005 Evans F25B 43/003
62/474
2016/0238326 A1* 8/2016 Shin F28F 9/0224
2017/0363357 A1* 12/2017 Bugler F28B 1/06
2017/0363358 A1* 12/2017 Bugler, III F28B 1/06
2018/0094839 A1* 4/2018 Felber B23K 9/09
2020/0080785 A1* 3/2020 Bugler F28B 9/02
2020/0248940 A1* 8/2020 Liu F25B 39/04

(21) Appl. No.: **29/683,715**
(22) Filed: **Mar. 15, 2019**

FOREIGN PATENT DOCUMENTS

(30) **Foreign Application Priority Data**

KR 300633406.0000 * 6/2010
KR 300944360.0000 * 4/2017

Sep. 17, 2018 (KR) 30-2108-0043445

* cited by examiner

(51) **LOC (12) Cl.** **23-01**

Primary Examiner — Barbara Fox

(52) **U.S. Cl.**
USPC **D23/324**

Assistant Examiner — Jamaal Rasheed

(58) **Field of Classification Search**
USPC D23/324, 352; D15/9; D18/7
CPC F25B 39/04; F28B 1/06; F28F 9/0214
See application file for complete search history.

(74) *Attorney, Agent, or Firm* — Rabin & Berdo, P.C.

(56) **References Cited**

(57) **CLAIM**

U.S. PATENT DOCUMENTS

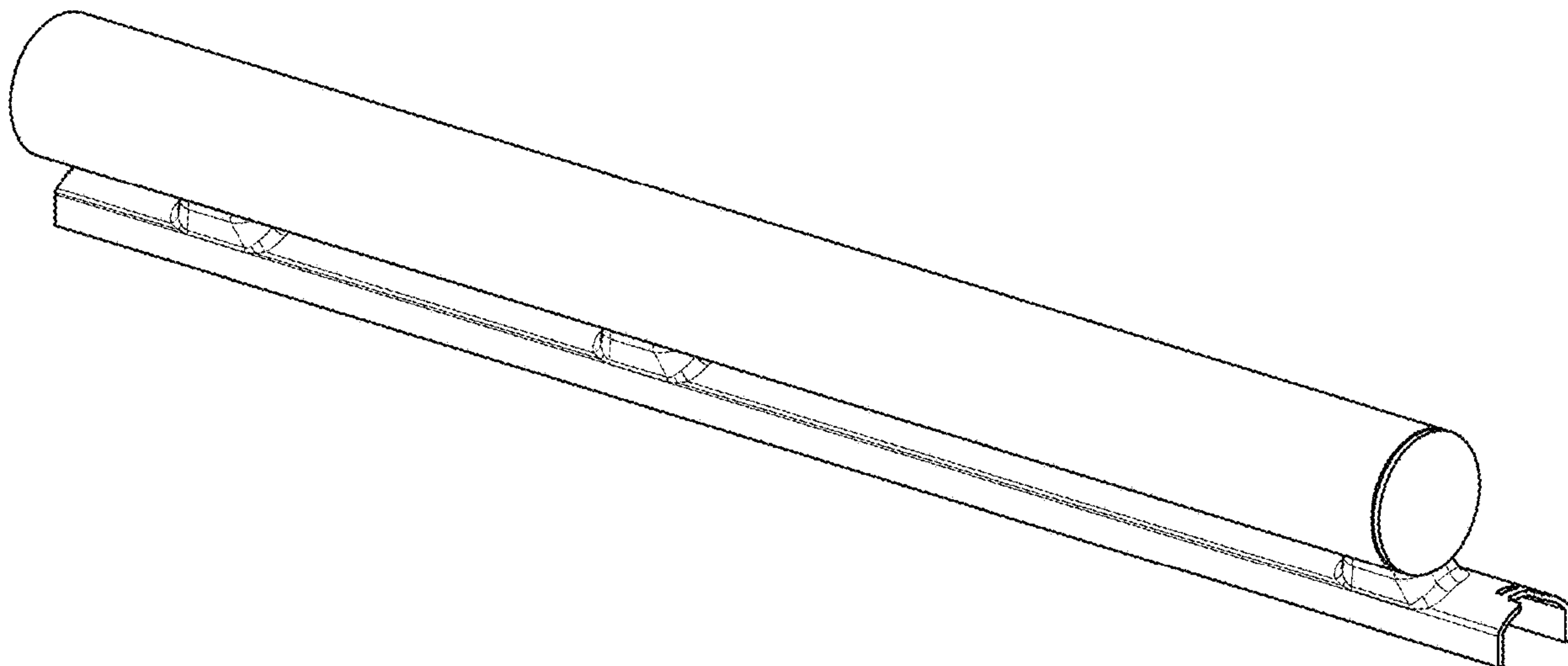
The ornamental design for a condenser for vehicles, as shown and described.

2,758,268 A * 8/1956 Peyssou H01G 5/12
361/294
5,259,449 A * 11/1993 Case F28F 9/0243
165/173
5,329,995 A * 7/1994 Dey F28F 9/0212
165/153
D775,236 S * 12/2016 Bruning D15/7
2003/0085026 A1* 5/2003 Kaspar F25B 39/04
165/132

DESCRIPTION

FIG. 1 is a perspective view of a condenser for vehicles;
FIG. 2 is another perspective view thereof;
FIG. 3 is a front view thereof;
FIG. 4 is a rear view thereof;
FIG. 5 is a left side view thereof;
FIG. 6 is a right side view thereof;
FIG. 7 is a top view thereof; and,
FIG. 8 is a bottom view thereof.

1 Claim, 5 Drawing Sheets



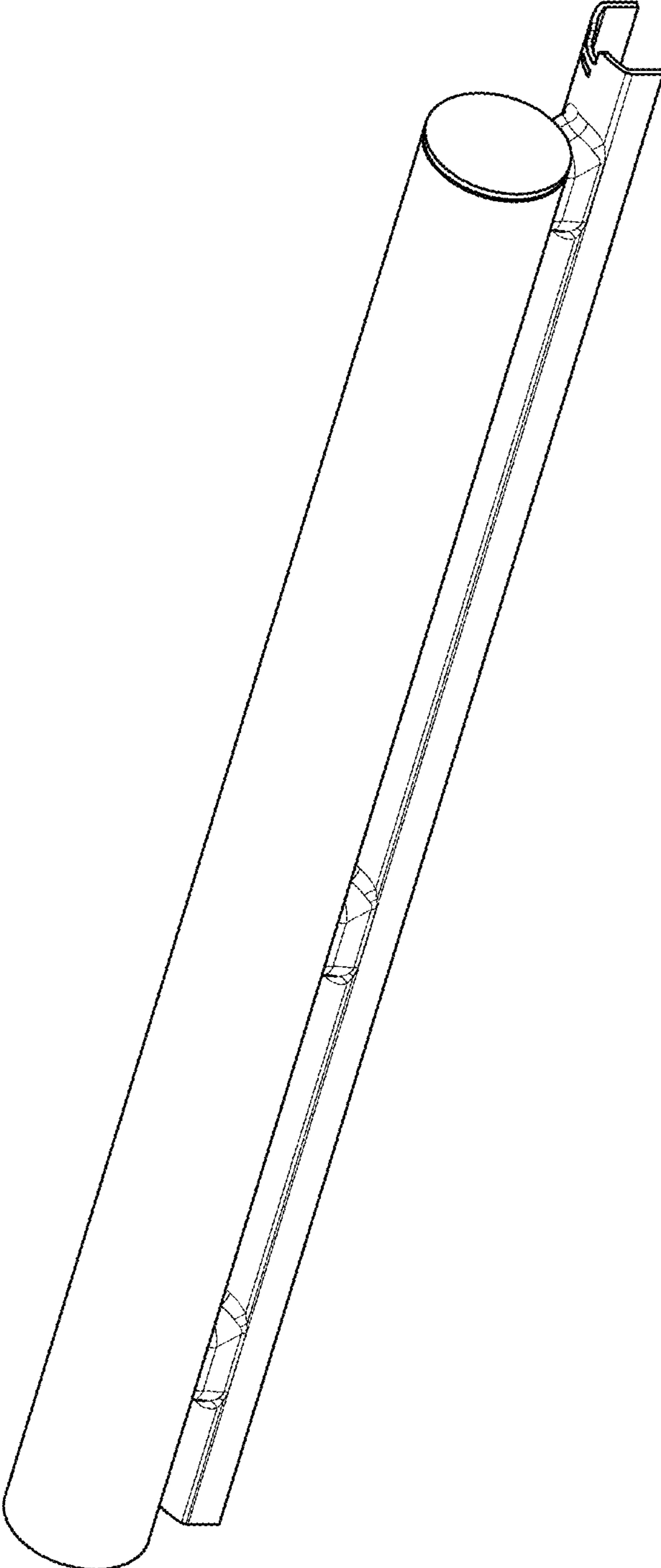


FIG. 1

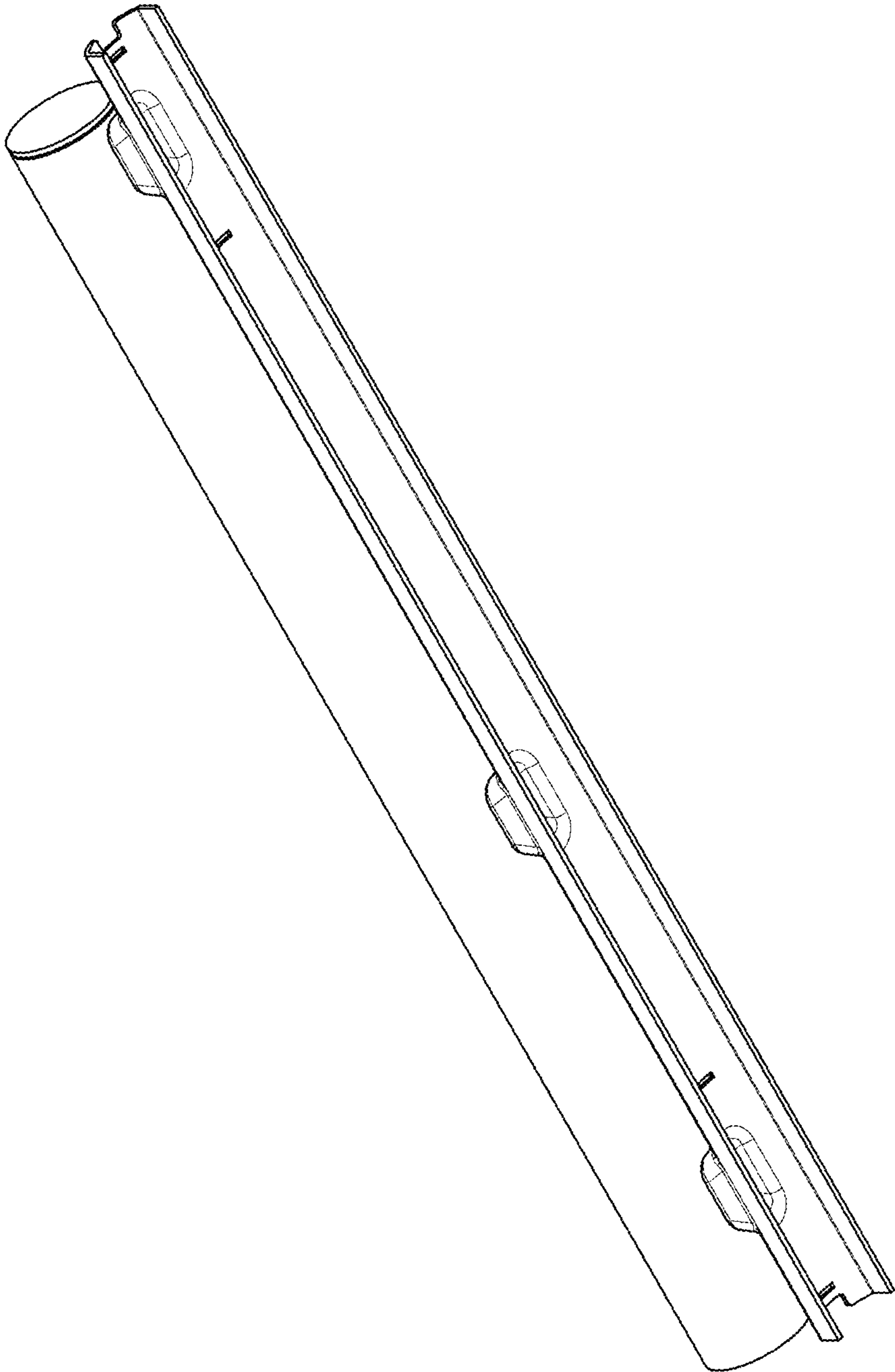


FIG. 2

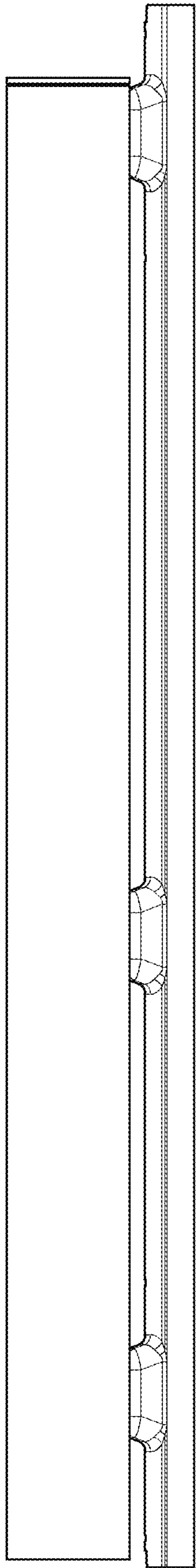


FIG. 3

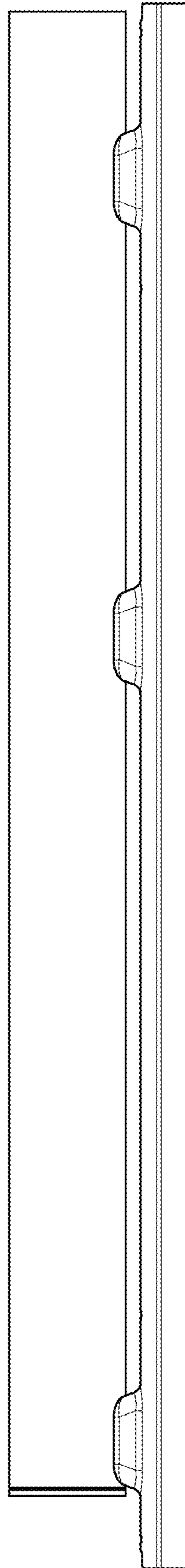


FIG. 4

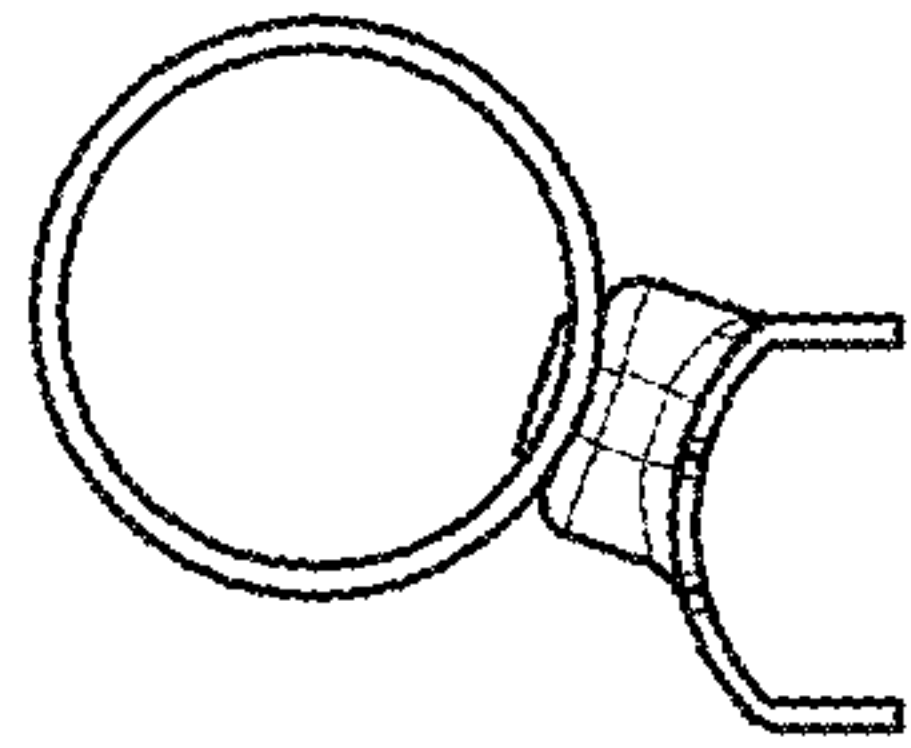


FIG. 5

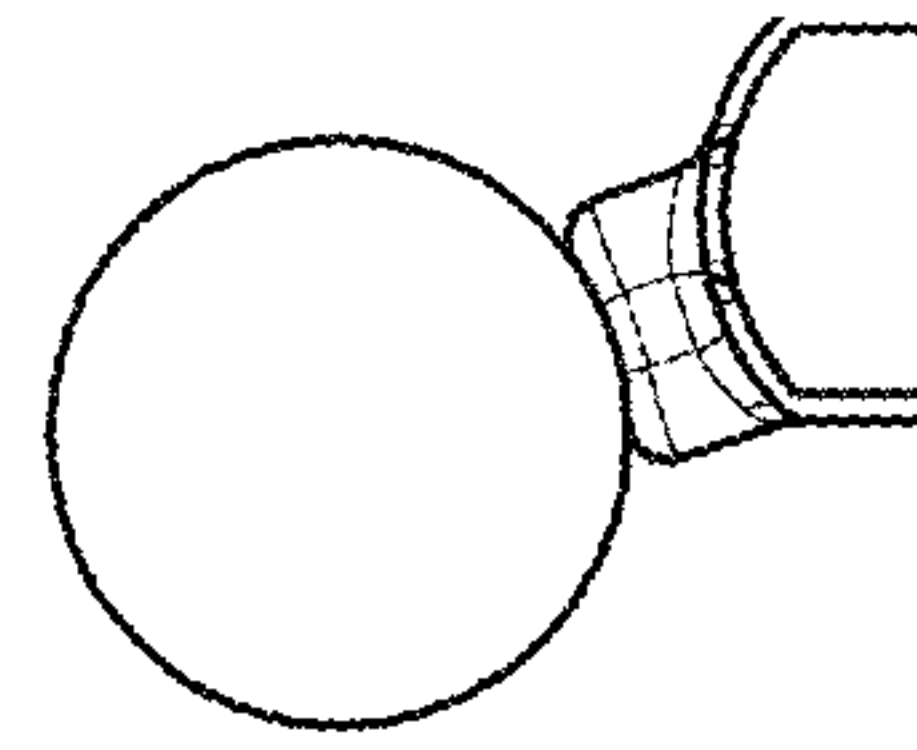


FIG. 6

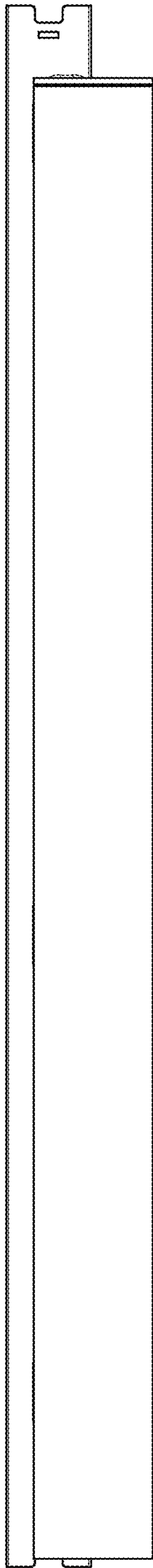


FIG. 7

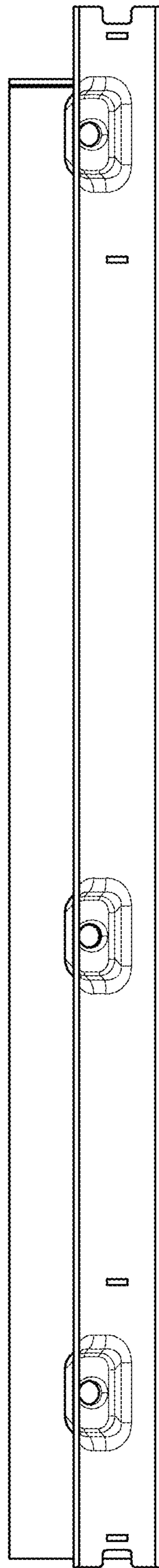


FIG. 8