



US00D903070S

(12) **United States Design Patent** (10) **Patent No.:** **US D903,070 S**
Cheng (45) **Date of Patent:** **** Nov. 24, 2020**

(54) **HEAT DISSIPATION PLATE**

(71) Applicant: **COOLER MASTER CO., LTD.**, New Taipei (TW)

(72) Inventor: **Wen-Ti Cheng**, New Taipei (TW)

(73) Assignee: **COOLER MASTER CO., LTD.**, New Taipei (TW)

(**) Term: **15 Years**

(21) Appl. No.: **29/697,252**

(22) Filed: **Jul. 5, 2019**

(51) **LOC (12) Cl.** **23-03**

(52) **U.S. Cl.**
USPC **D23/323**

(58) **Field of Classification Search**
USPC D23/314, 329, 323, 322, 341, 347;
D13/179
CPC F28D 15/04; F28D 2015/0216; F28F 3/12;
F28F 3/14; B21D 53/04
See application file for complete search history.

(56) **References Cited**

U.S. PATENT DOCUMENTS

3,291,206	A *	12/1966	Nicholson	F28F 3/04 165/166
7,011,142	B2 *	3/2006	Davies	F28F 3/12 165/80.4
D657,854	S *	4/2012	Hwang	D23/330
D657,855	S *	4/2012	Hwang	D23/330
D657,856	S *	4/2012	Hwang	D23/330
D658,748	S *	5/2012	Hwang	D23/330
D735,842	S *	8/2015	Cole	D23/323
D736,361	S *	8/2015	Cole	D23/323
9,149,896	B1 *	10/2015	Batty	F28D 15/04
2004/0069470	A1 *	4/2004	Gorbulsky	F28D 7/087 165/158

2005/0199372	A1 *	9/2005	Frazer	F28F 3/12 165/80.4
2013/0042996	A1 *	2/2013	Hwang	F28D 9/0037 165/45
2014/0026577	A1 *	1/2014	Reinke	F01N 3/0234 60/670
2015/0260464	A1 *	9/2015	Cole	F28D 9/0093 165/185
2016/0223267	A1 *	8/2016	Hsieh	H01L 23/427
2018/0205125	A1 *	7/2018	Burgers	F28F 3/12
2019/0366877	A1 *	12/2019	Blersch	B23K 26/32
2019/0368823	A1 *	12/2019	Chan	B21D 53/045
2020/0094324	A1 *	3/2020	Jonnalagadda	F28F 21/08
2020/0136205	A1 *	4/2020	Graves	F28F 3/12
2020/0232717	A1 *	7/2020	Kao	H01L 23/3672

* cited by examiner

Primary Examiner — Ania Aman

(74) *Attorney, Agent, or Firm* — Maschoff Brennan

(57) **CLAIM**

The ornamental design for a heat dissipation plate, as shown and described.

DESCRIPTION

FIG. 1 is a top, front and right side perspective view of a heat dissipation plate showing my new design;

FIG. 2 is a top, rear and right side perspective view thereof;

FIG. 3 is a front view thereof;

FIG. 4 is a rear view thereof;

FIG. 5 is a left side view thereof;

FIG. 6 is a right side view thereof;

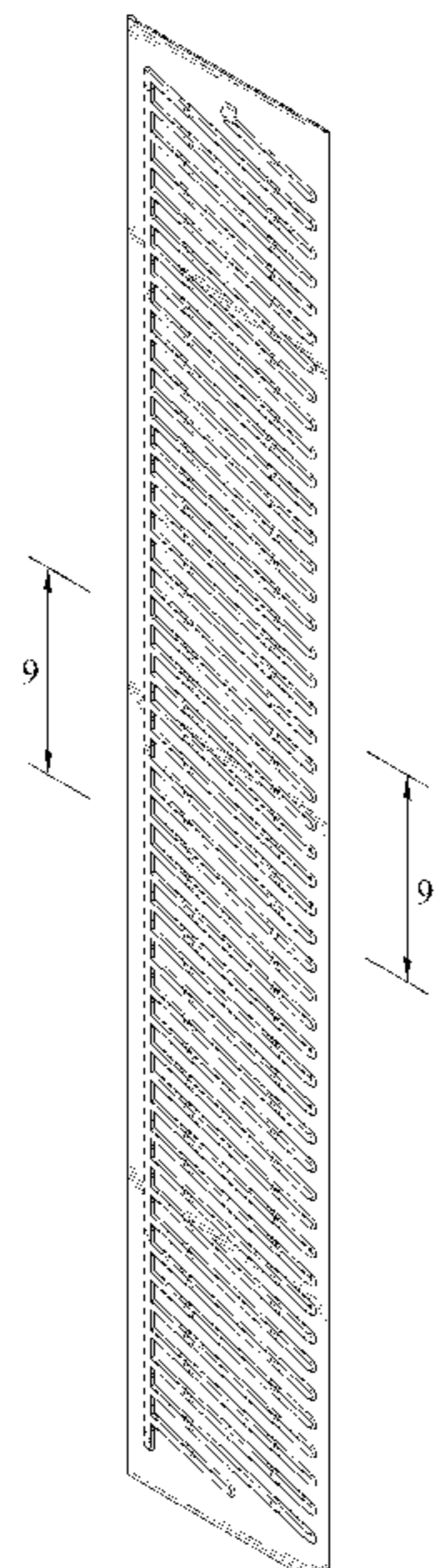
FIG. 7 is a top view thereof;

FIG. 8 is a bottom view thereof;

FIG. 9 is a view of section 9-9 of FIG. 1, shown at an enlarged scale; and,

FIG. 10 is a view of section 10-10 of FIG. 2, shown at an enlarged scale.

1 Claim, 7 Drawing Sheets



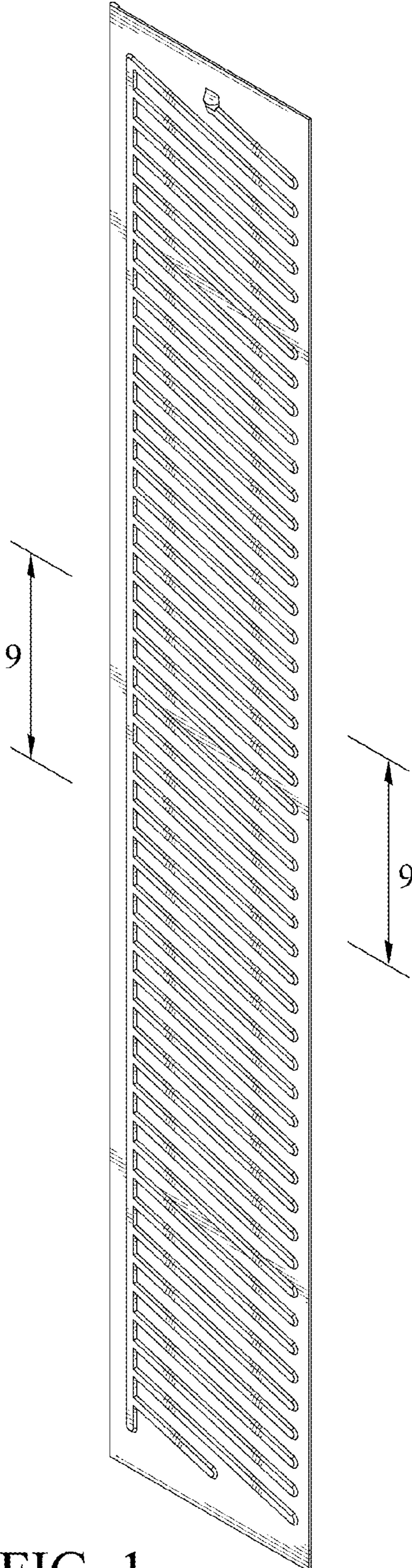


FIG. 1

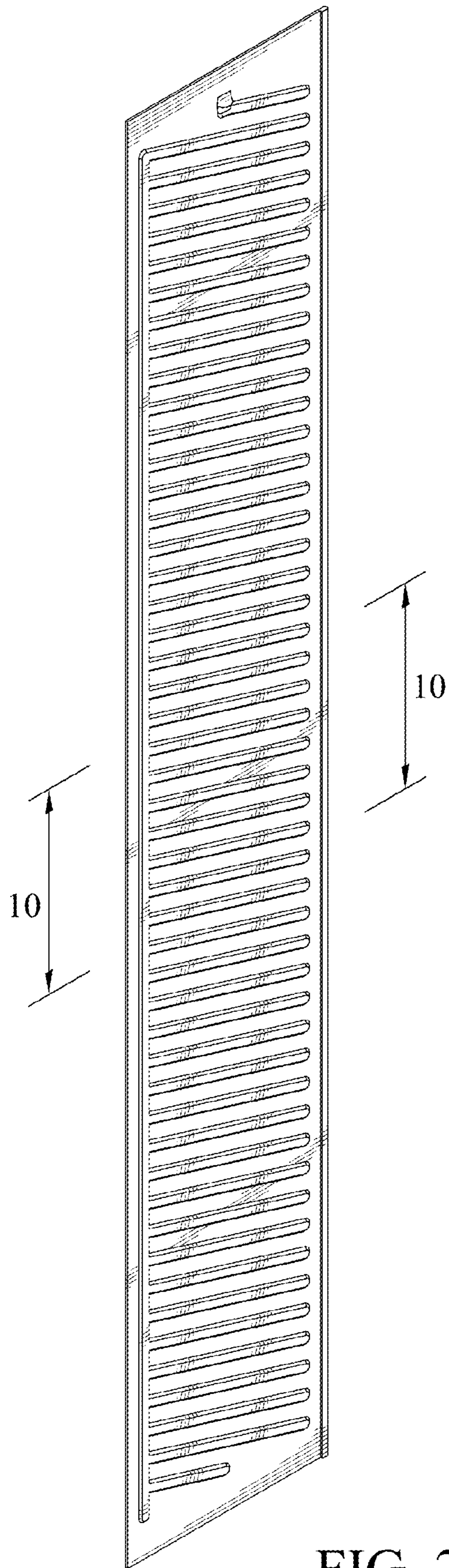


FIG. 2

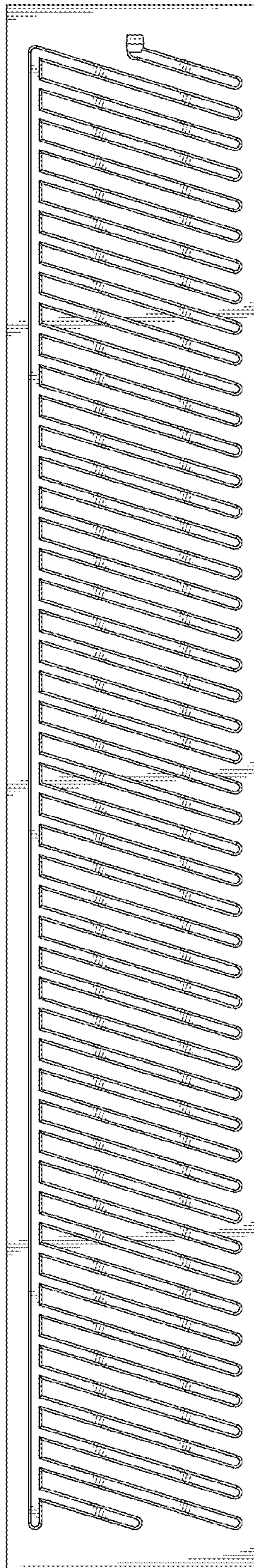


FIG. 3

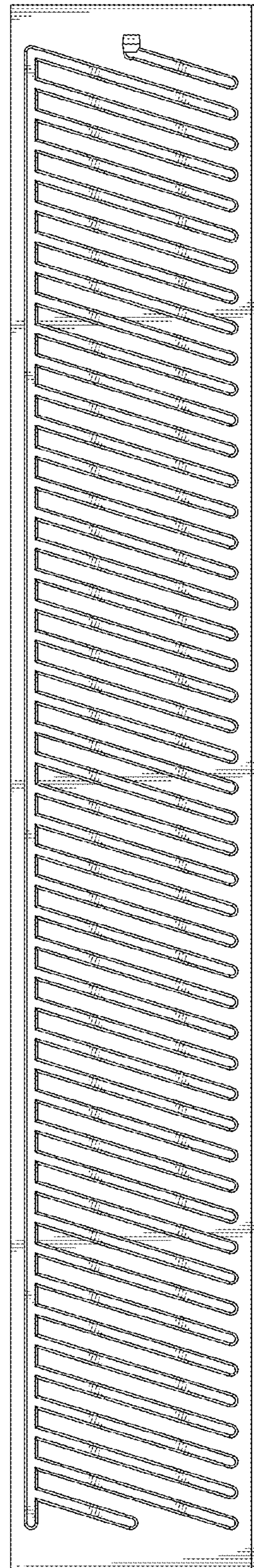


FIG. 4



FIG. 5



FIG. 6



FIG. 7



FIG. 8

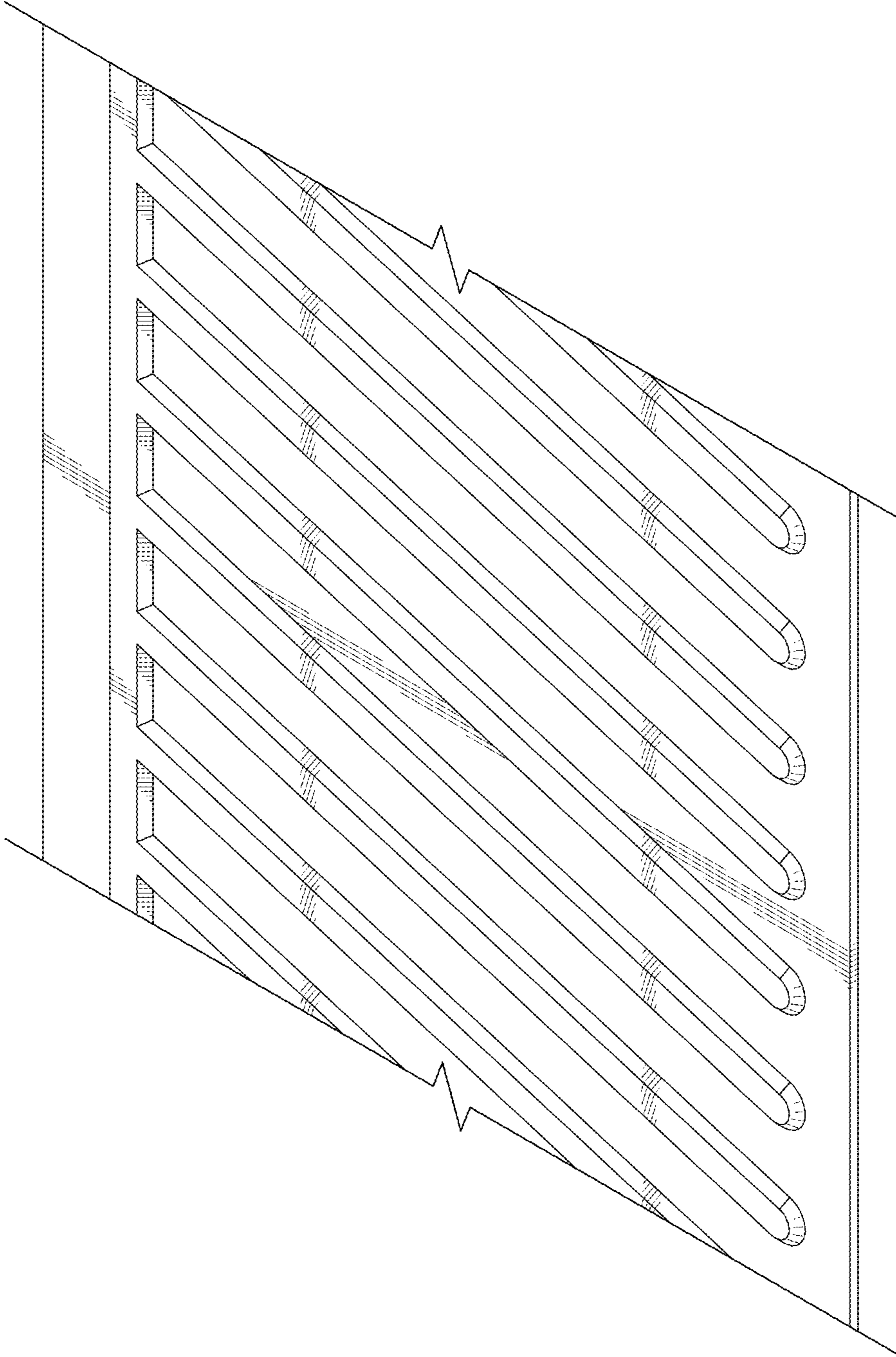


FIG. 9

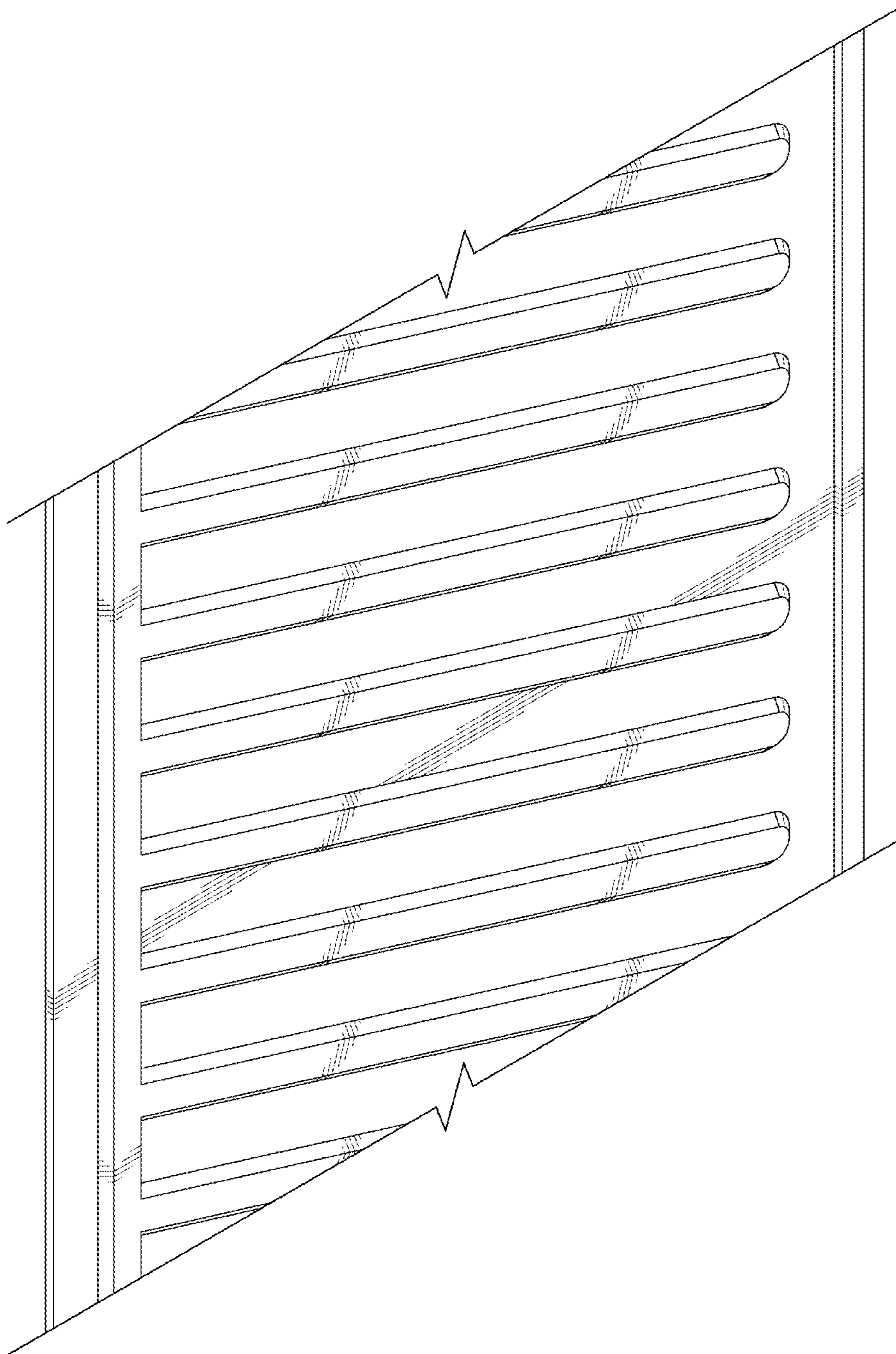


FIG. 10