



US00D903069S

(12) **United States Design Patent** (10) **Patent No.:** **US D903,069 S**
Tonini et al. (45) **Date of Patent:** **** Nov. 24, 2020**

(54) **BATHTUB**
(71) Applicant: **Jacuzzi Inc.**, Chino Hills, CA (US)
(72) Inventors: **Alberto Tonini**, Oderzo (IT);
Francesco Costacurta, Sacile (IT);
Gianni Emanuele Stival, Fossalta di
Portogruaro (IT); **Sara Massarutti**,
Fagagna (IT); **Erica A. Moir**, Santa
Ana, CA (US); **Fabio Felisi**, Milan
(IT); **Guido Grattoni**, Porcia (IT);
Andrea Amici, Casarsa della Delizia
(IT)

D319,094 S 8/1991 Richmond
D324,096 S 2/1992 Kohler, Jr. et al.
D350,391 S 9/1994 Gardiner
D350,392 S 9/1994 Kohler, Jr. et al.
D352,097 S 11/1994 Kohler, Jr. et al.
D367,708 S 3/1996 Lawing et al.
D368,530 S 4/1996 Lawing et al.
D387,870 S 12/1997 Larsen
D393,056 S 3/1998 Kolada
D431,297 S 9/2000 Larsen et al.
D445,904 S 7/2001 Larsen
D446,845 S 8/2001 Jacuzzi et al.
6,324,707 B1 12/2001 Larsen et al.
6,328,900 B1 12/2001 King
D465,561 S 11/2002 Wong et al.
D470,579 S 2/2003 Foster

(73) Assignee: **Jacuzzi Inc.**, Chino Hill, CA (US)

(**) Term: **15 Years**

(21) Appl. No.: **29/739,537**

(22) Filed: **Jun. 26, 2020**

Related U.S. Application Data

(62) Division of application No. 29/663,143, filed on Sep. 12, 2018, now Pat. No. Des. 892,987.

(51) **LOC (12) Cl.** **23-02**

(52) **U.S. Cl.**
USPC **D23/304**

(58) **Field of Classification Search**
USPC D23/277, 280.1; D24/204–205
CPC A61H 2035/004
See application file for complete search history.

(56) **References Cited**

U.S. PATENT DOCUMENTS

3,967,323 A 7/1976 Serio
D266,946 S 11/1982 Topete
D275,035 S 8/1984 Fishel
4,514,868 A 5/1985 Visinand
4,535,489 A 8/1985 Elkins

(Continued)

Primary Examiner — Robert A Delehanty

(74) *Attorney, Agent, or Firm* — The Webb Law Firm

(57) **CLAIM**

The ornamental design for a bathtub, as shown and described.

DESCRIPTION

FIG. 1 is an upper rear left perspective view of a bathtub showing our new design;

FIG. 2 is an upper rear perspective view thereof;

FIG. 3 is an upper right perspective view thereof;

FIG. 4 is an upper front perspective view thereof;

FIG. 5 is a top view thereof;

FIG. 6 is a rear elevation view thereof;

FIG. 7 is a front elevation view thereof;

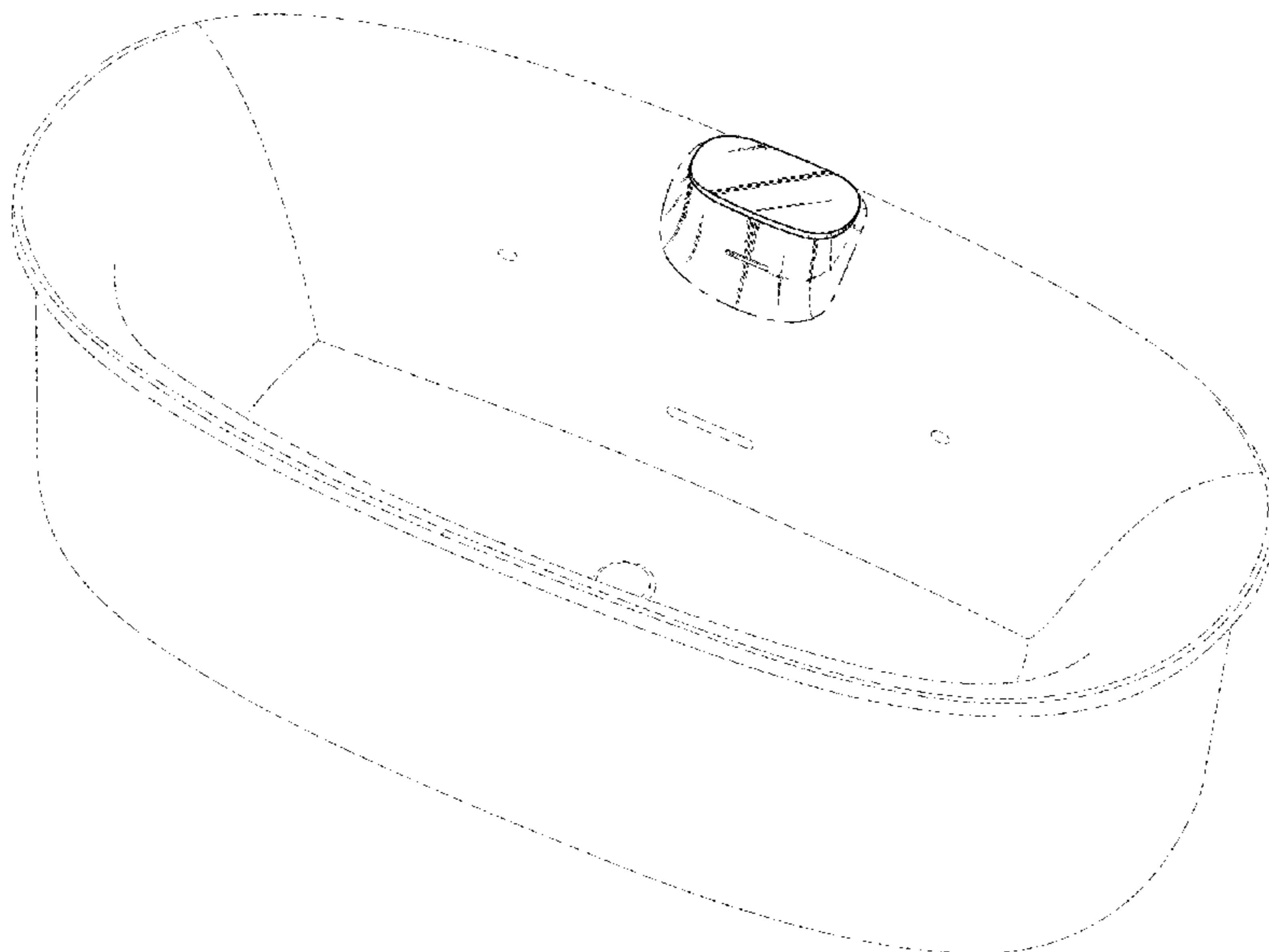
FIG. 8 is a left side elevation view thereof; and,

FIG. 9 is a right side elevation view thereof.

The portions of the bathtub shown in broken lines form no part of the claimed design.

The dashed-dotted line showings of FIGS. 1-5 illustrate boundaries between the claimed design and environmental features.

1 Claim, 8 Drawing Sheets



(56)

References Cited

U.S. PATENT DOCUMENTS

D518,180	S	3/2006	Loyd
D518,896	S	4/2006	Larsen
D528,662	S	9/2006	Jacuzzi et al.
7,407,154	B2	8/2008	Sakakibara et al.
D612,920	S	3/2010	Cunningham et al.
D624,162	S	9/2010	Bouroullec et al.
7,818,826	B2	10/2010	Schmidt et al.
D709,598	S	7/2014	Dupras
8,847,913	B2	9/2014	Tempas et al.
D727,515	S	4/2015	Kim
9,069,201	B2	6/2015	Pipitone et al.
D745,645	S	12/2015	Burke
9,259,374	B2	2/2016	Castellote et al.
9,549,871	B2	1/2017	Campbell
D867,552	S	11/2019	Kiukas
2006/0002105	A1	1/2006	Hinojosa, Jr.
2009/0271921	A1	11/2009	Castellote
2011/0107513	A1	5/2011	Tjia
2014/0259358	A1	9/2014	Drury et al.
2014/0338115	A1	11/2014	Sadler
2017/0017315	A1	1/2017	Laflamme et al.
2020/0078263	A1*	3/2020	Amici A61H 33/6005

* cited by examiner

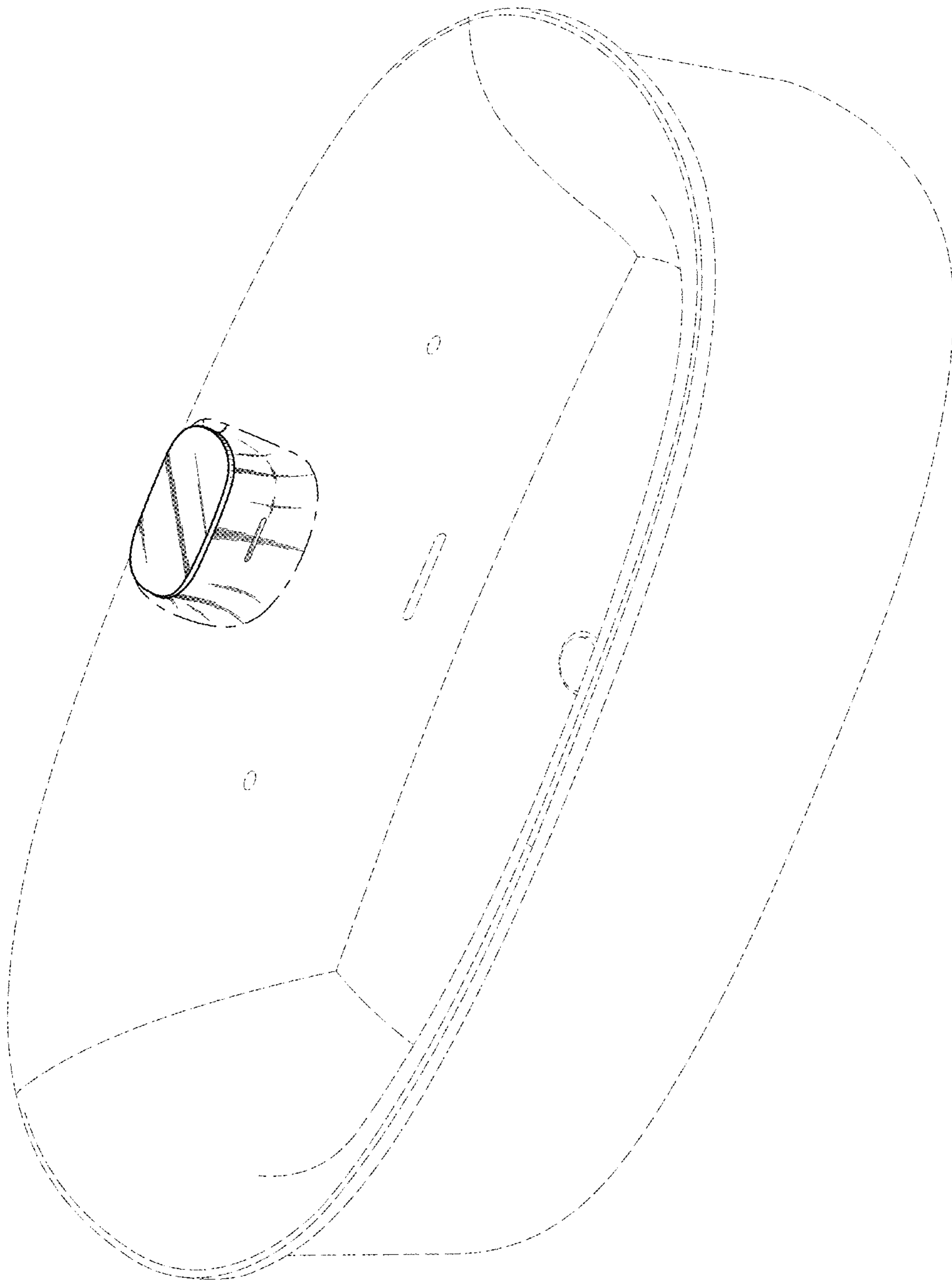


FIG. 1

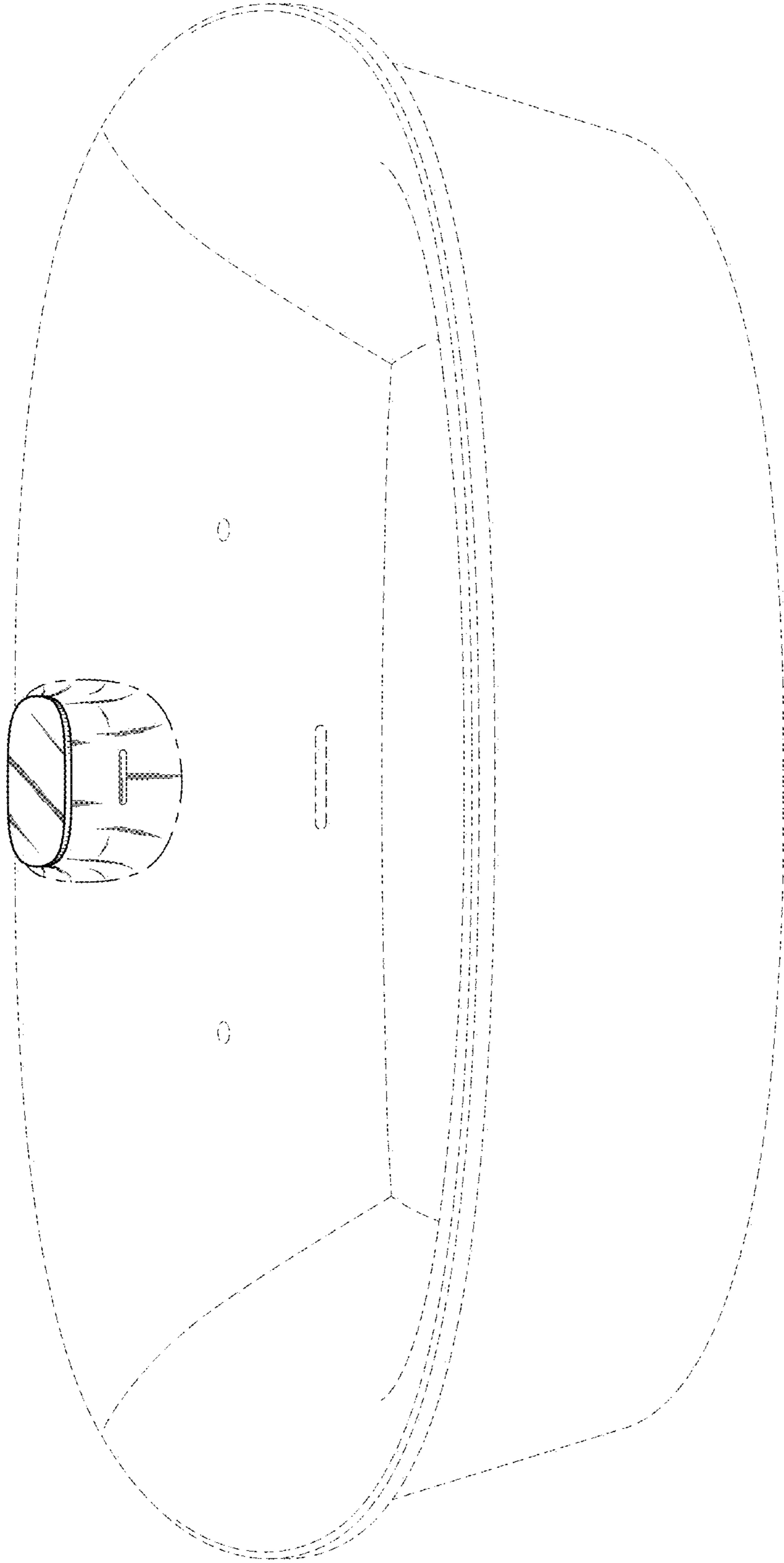


FIG. 2

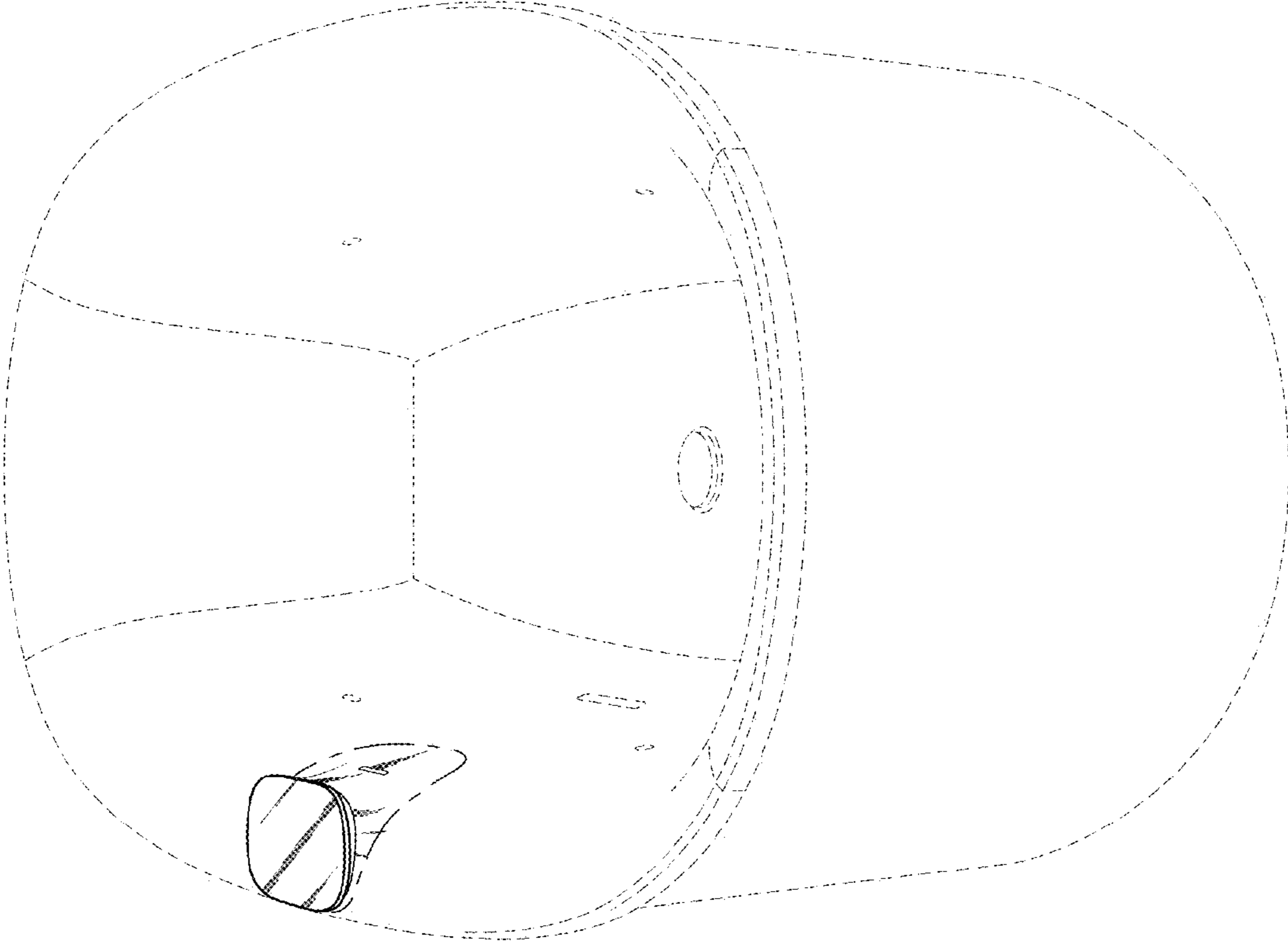


FIG. 3

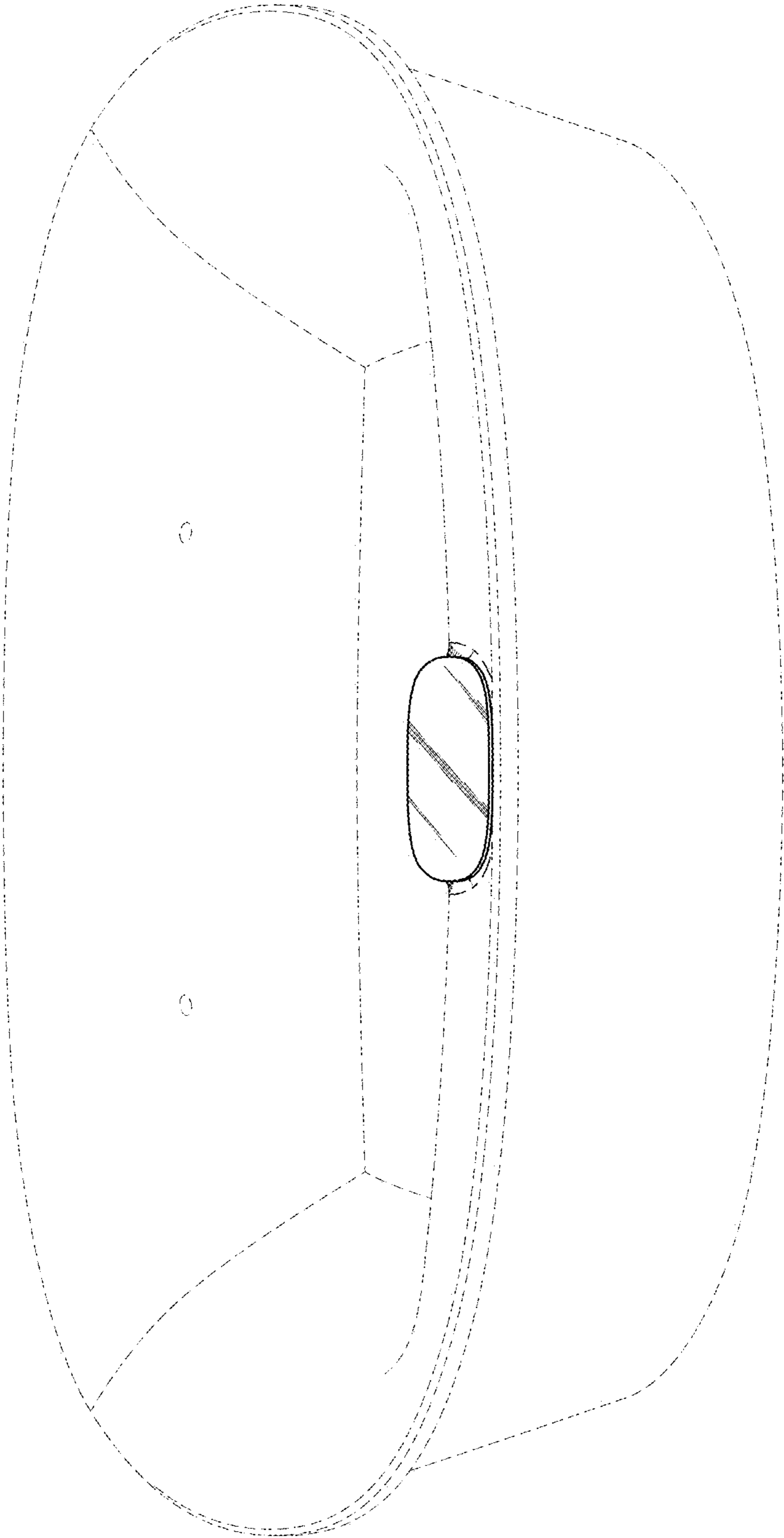


FIG. 4

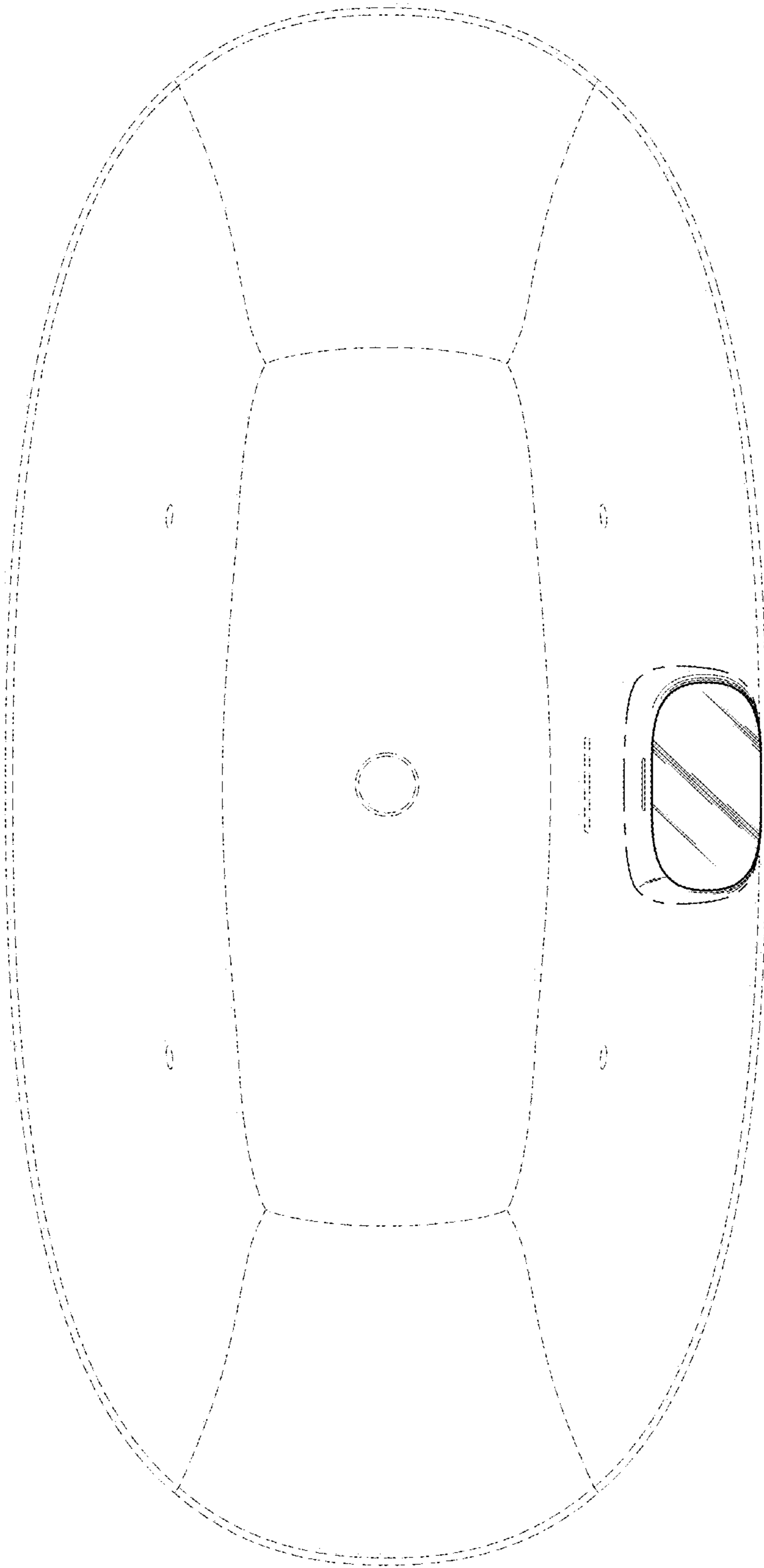


FIG. 5

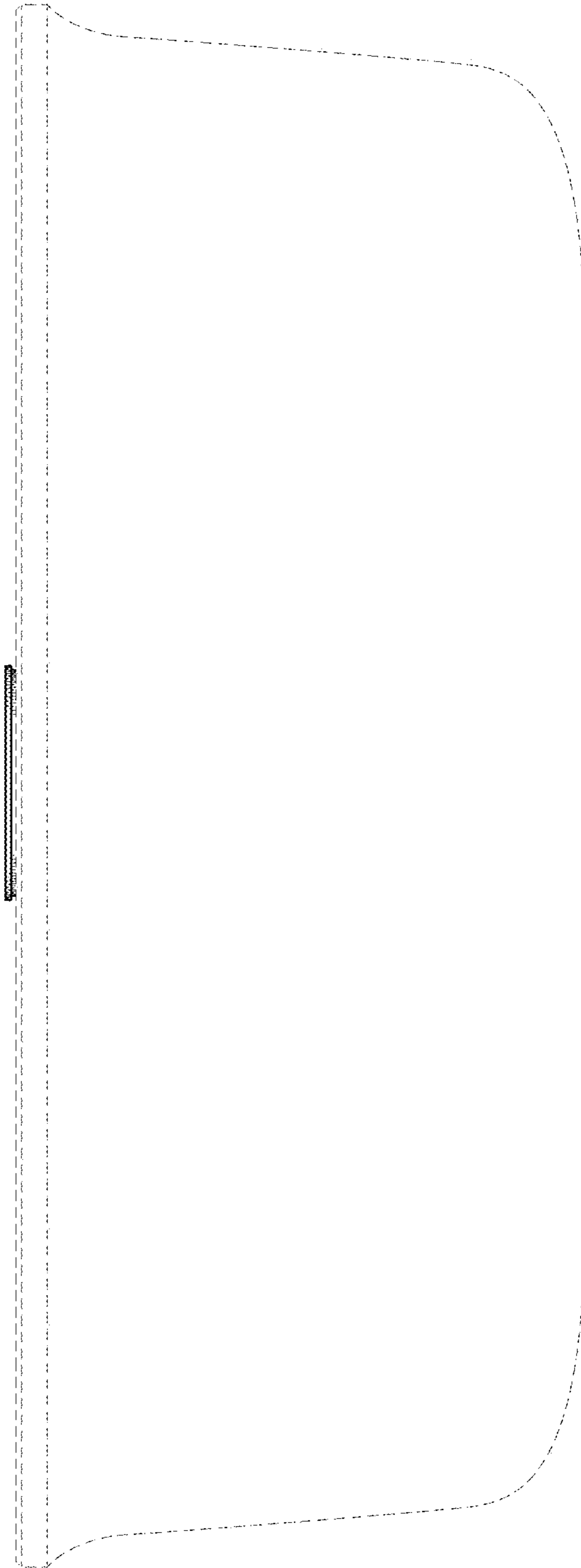


FIG. 6

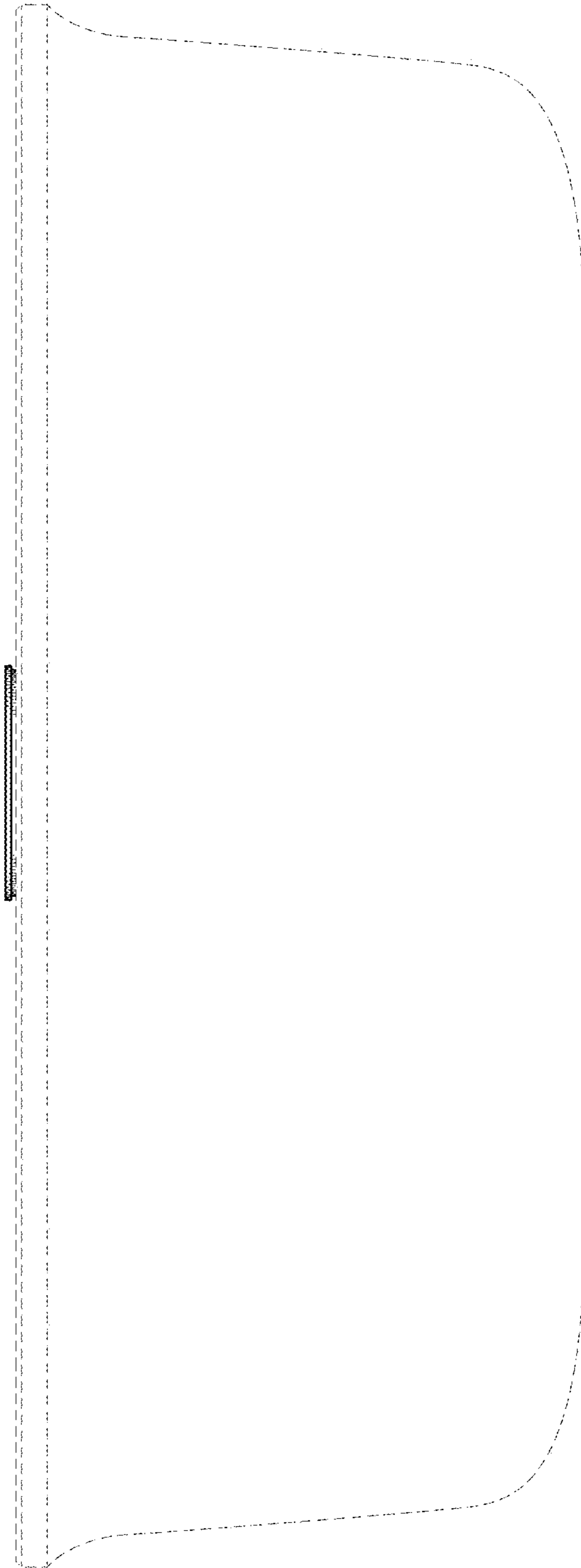


FIG. 7

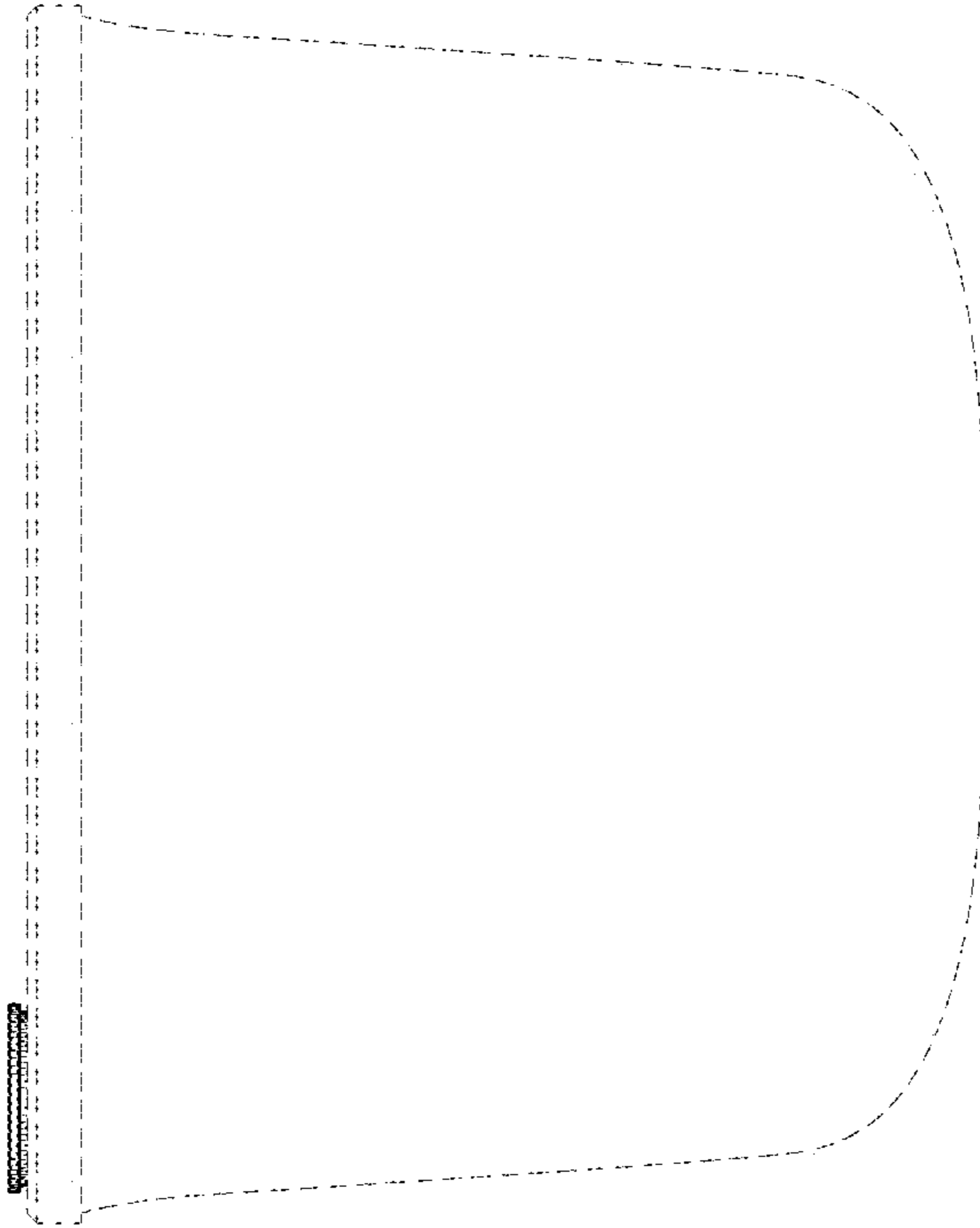


FIG. 9

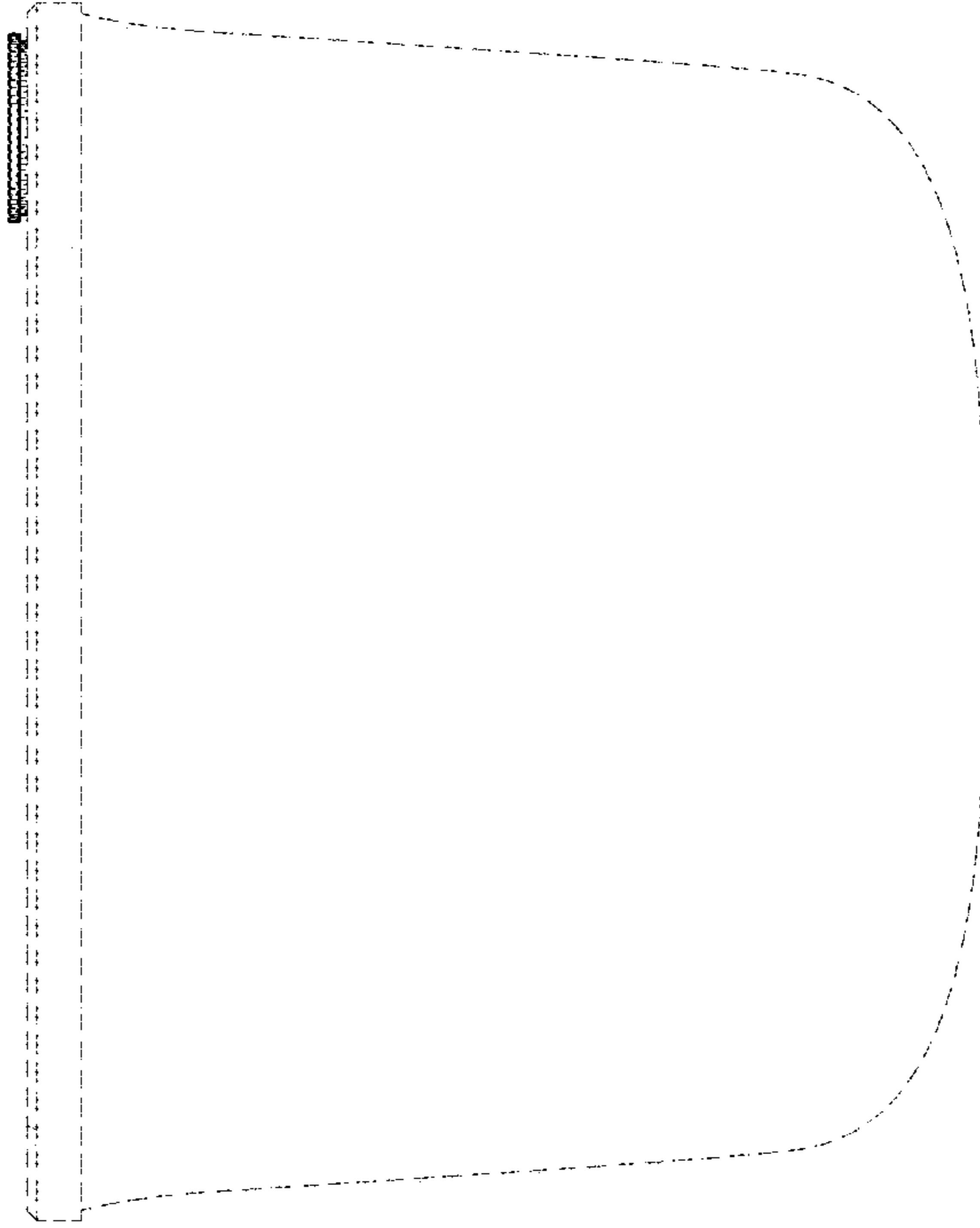


FIG. 8