



US00D903068S

(12) **United States Design Patent**
Bucher

(10) **Patent No.:** **US D903,068 S**

(45) **Date of Patent:** **** Nov. 24, 2020**

(54) **TOILET**

D763,416 S * 8/2016 Goad D23/301
D827,109 S * 8/2018 Goad D23/301
D847,959 S * 5/2019 Bucher D23/301

(71) Applicant: **AS AMERICA, INC.**, Piscataway, NJ
(US)

(72) Inventor: **Christophe Bucher**, Hillsborough, NJ
(US)

(73) Assignee: **AS AMERICA, INC.**, Piscataway, NJ
(US)

(**) Term: **15 Years**

(21) Appl. No.: **29/669,334**

(22) Filed: **Nov. 7, 2018**

(51) **LOC (12) Cl.** **23-02**

(52) **U.S. Cl.**
USPC **D23/301**

(58) **Field of Classification Search**
USPC D23/295, 301, 303, 310, 313
CPC A47K 11/00
See application file for complete search history.

(56) **References Cited**

U.S. PATENT DOCUMENTS

D387,858 S * 12/1997 McKeone D23/301
D441,437 S * 5/2001 McKeone D23/301
D621,013 S * 8/2010 Bucher D23/301
D670,368 S * 11/2012 Vanderheyden D23/309
D725,248 S * 3/2015 Bates D23/309

OTHER PUBLICATIONS

<https://www.homedepot.com/p/American-Standard-Town-Square-FloWise-2-piece-1-28-GPF-Single-Flush-Tall-Height-Elongated-Toilet-in-White-2817-128-020/202810948> (Year: 2018).*

* cited by examiner

Primary Examiner — Robert A Delehanty

(74) *Attorney, Agent, or Firm* — Venable LLP; Michele V. Frank

(57) **CLAIM**

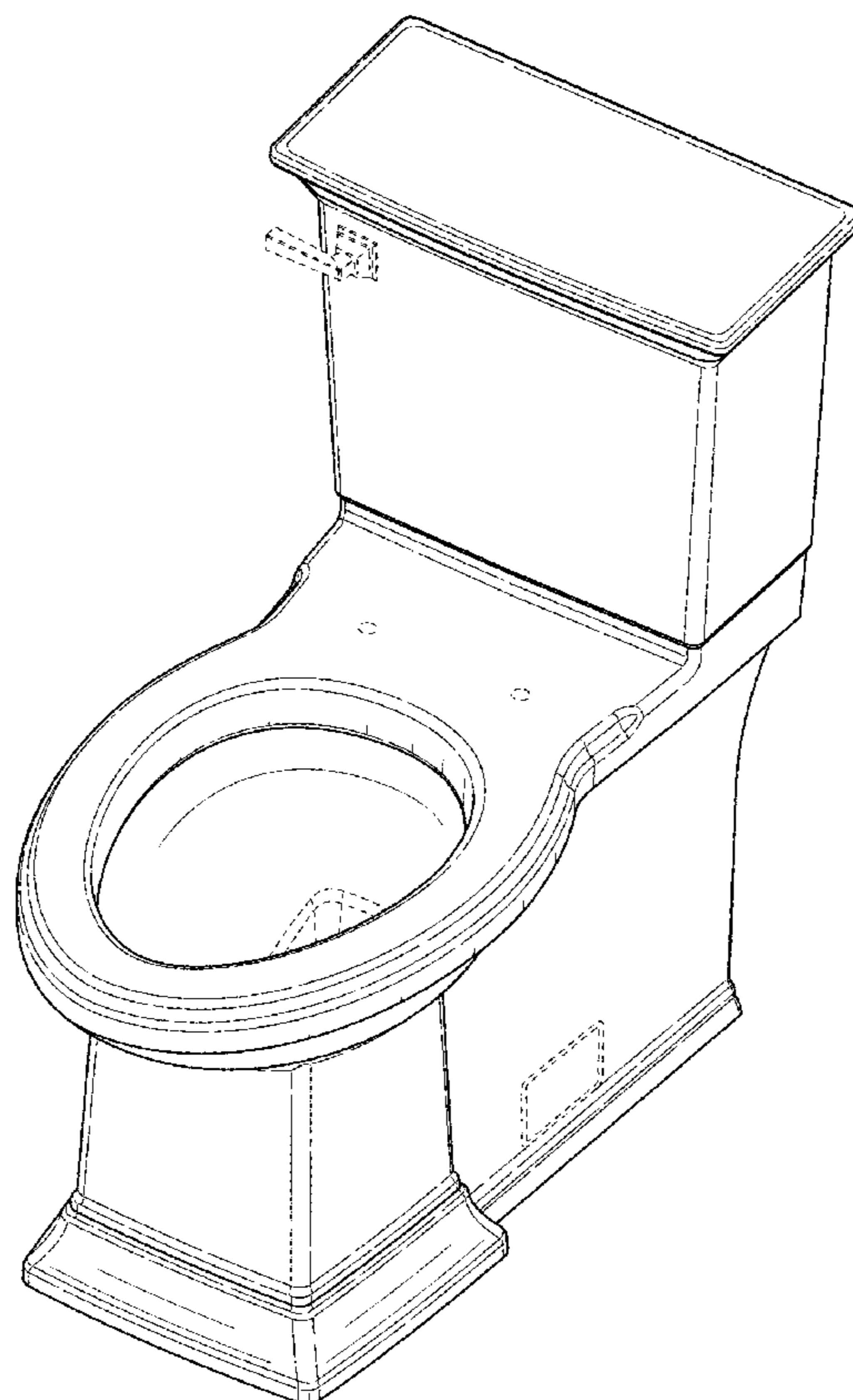
The ornamental design for a toilet, as shown and described.

DESCRIPTION

FIG. 1 is a perspective view of an embodiment of the claimed design;
FIG. 2 is a front view thereof;
FIG. 3 is a rear view thereof;
FIG. 4 is a left side view thereof;
FIG. 5 is a right side view thereof;
FIG. 6 is a top view thereof; and,
FIG. 7 is a bottom view thereof.

The features shown in broken lines form no part of the claimed design.

1 Claim, 6 Drawing Sheets



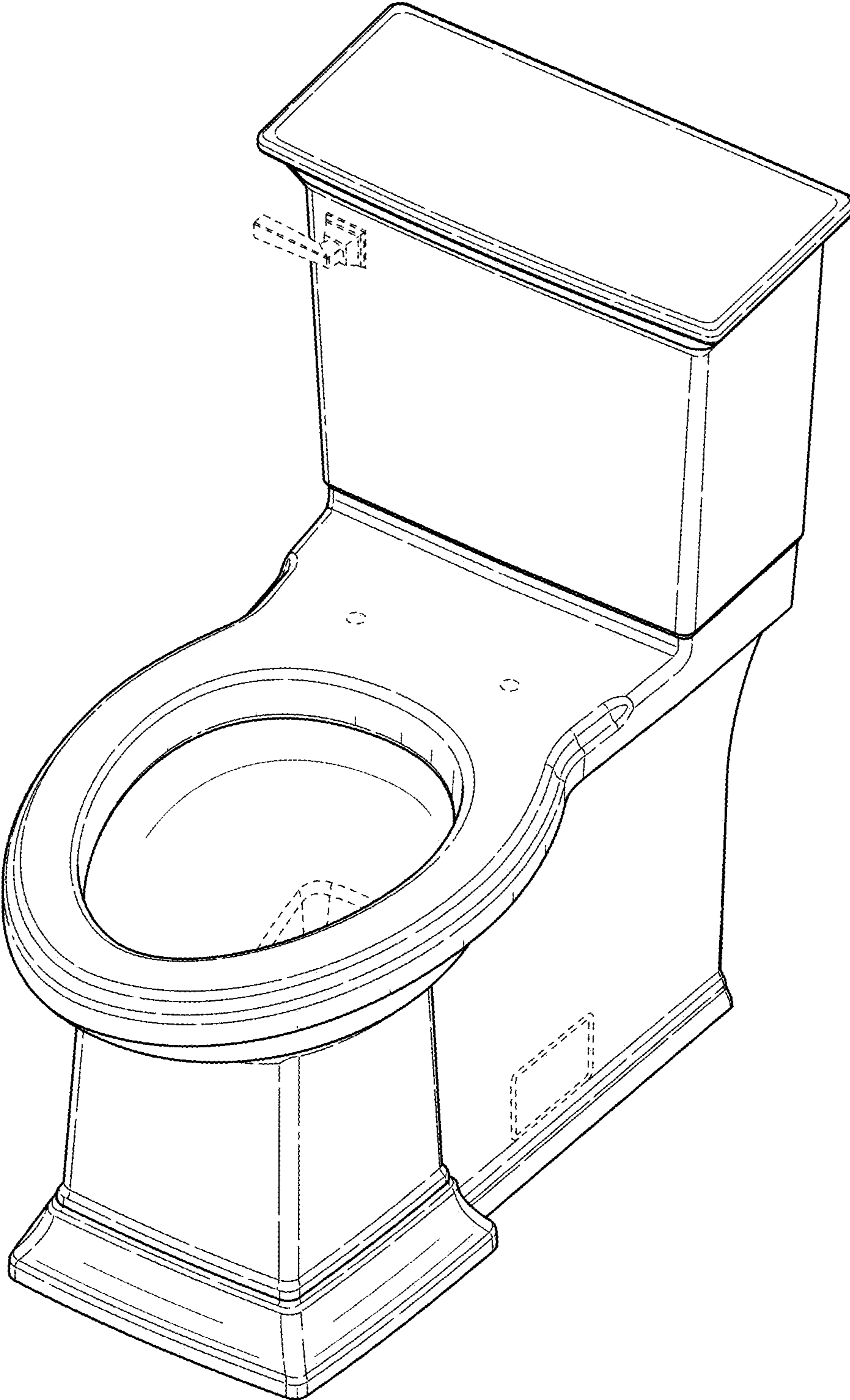


FIG. 1

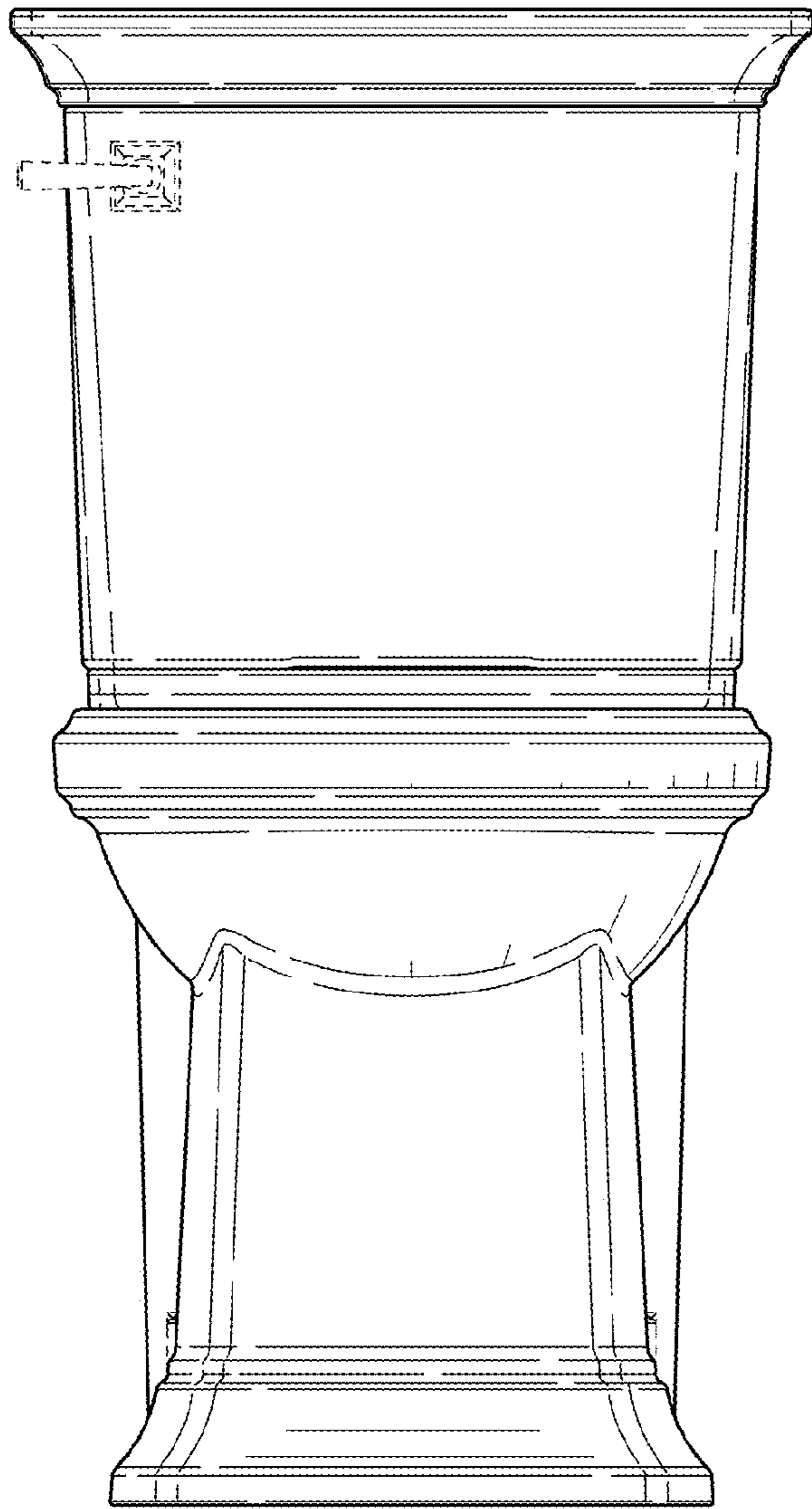


FIG. 2

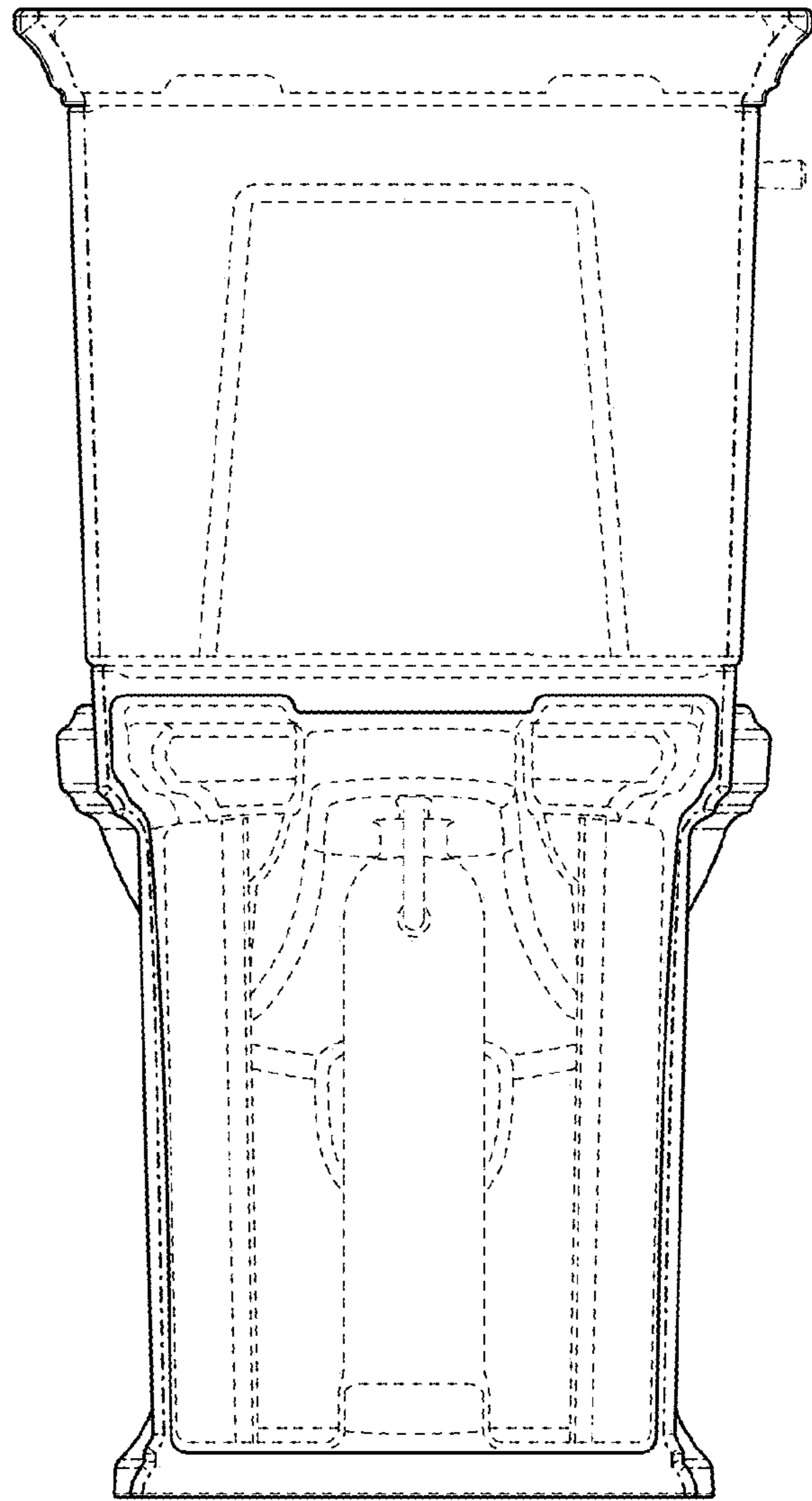


FIG. 3

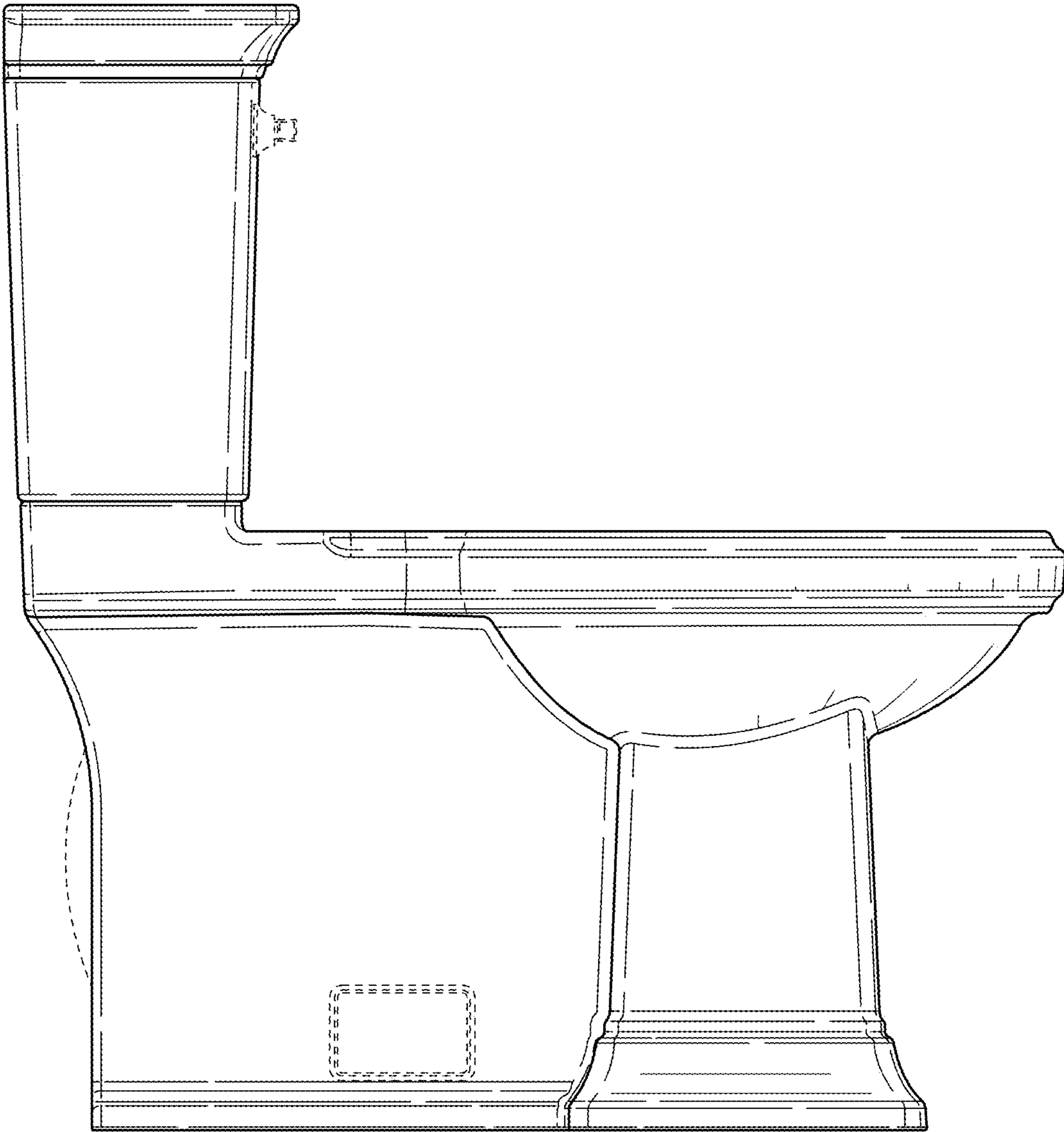


FIG. 4

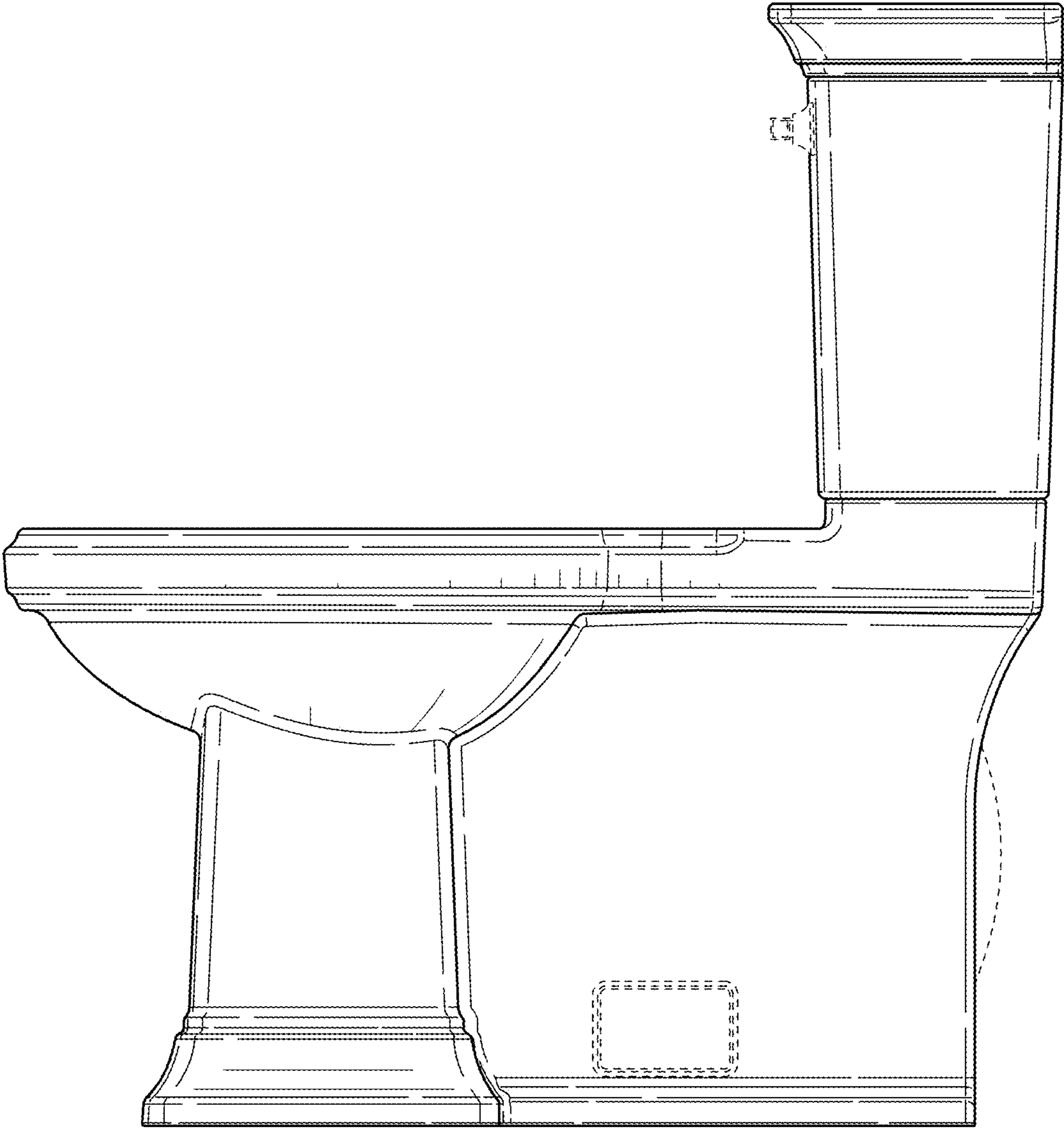


FIG. 5

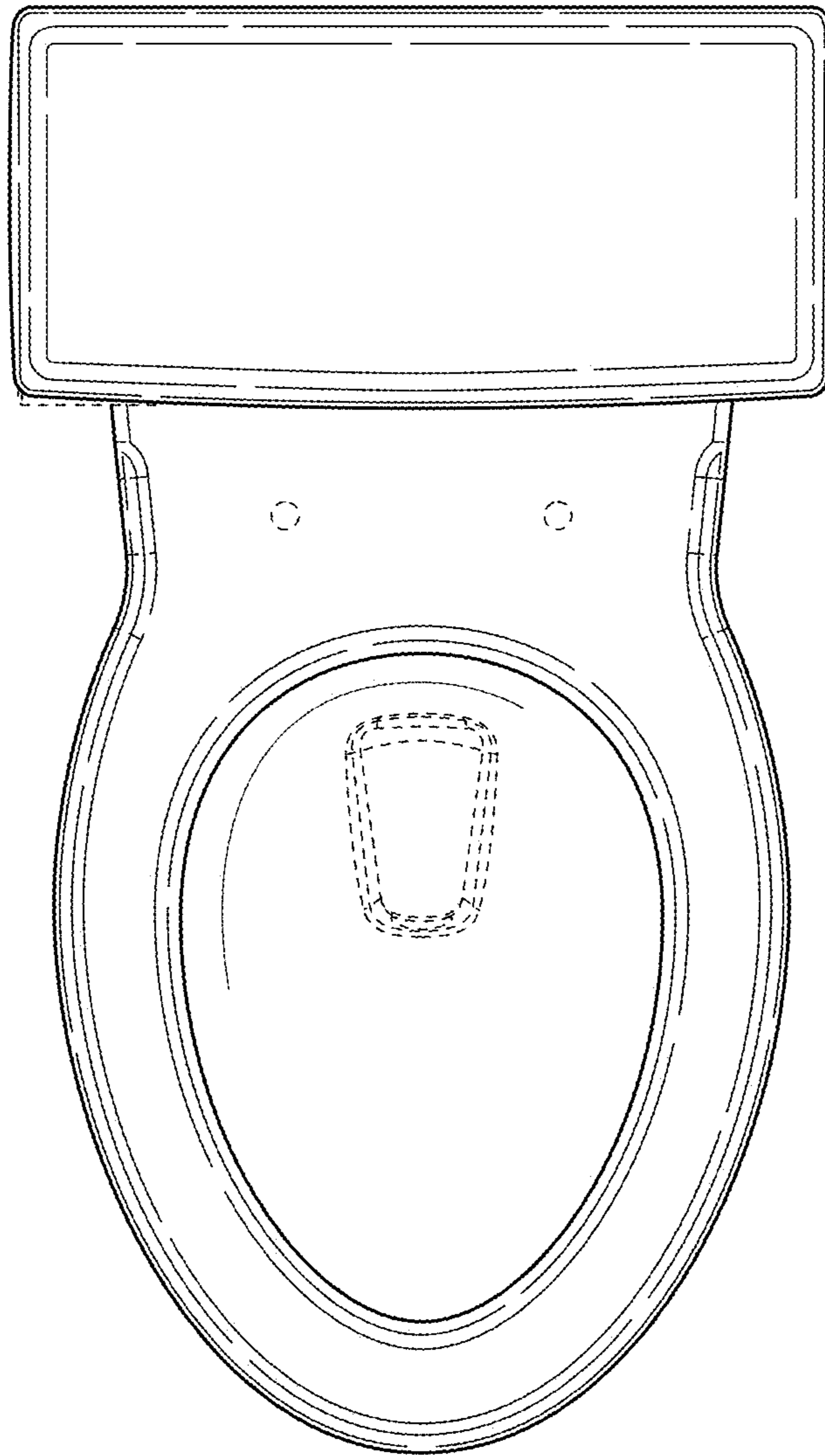


FIG. 6

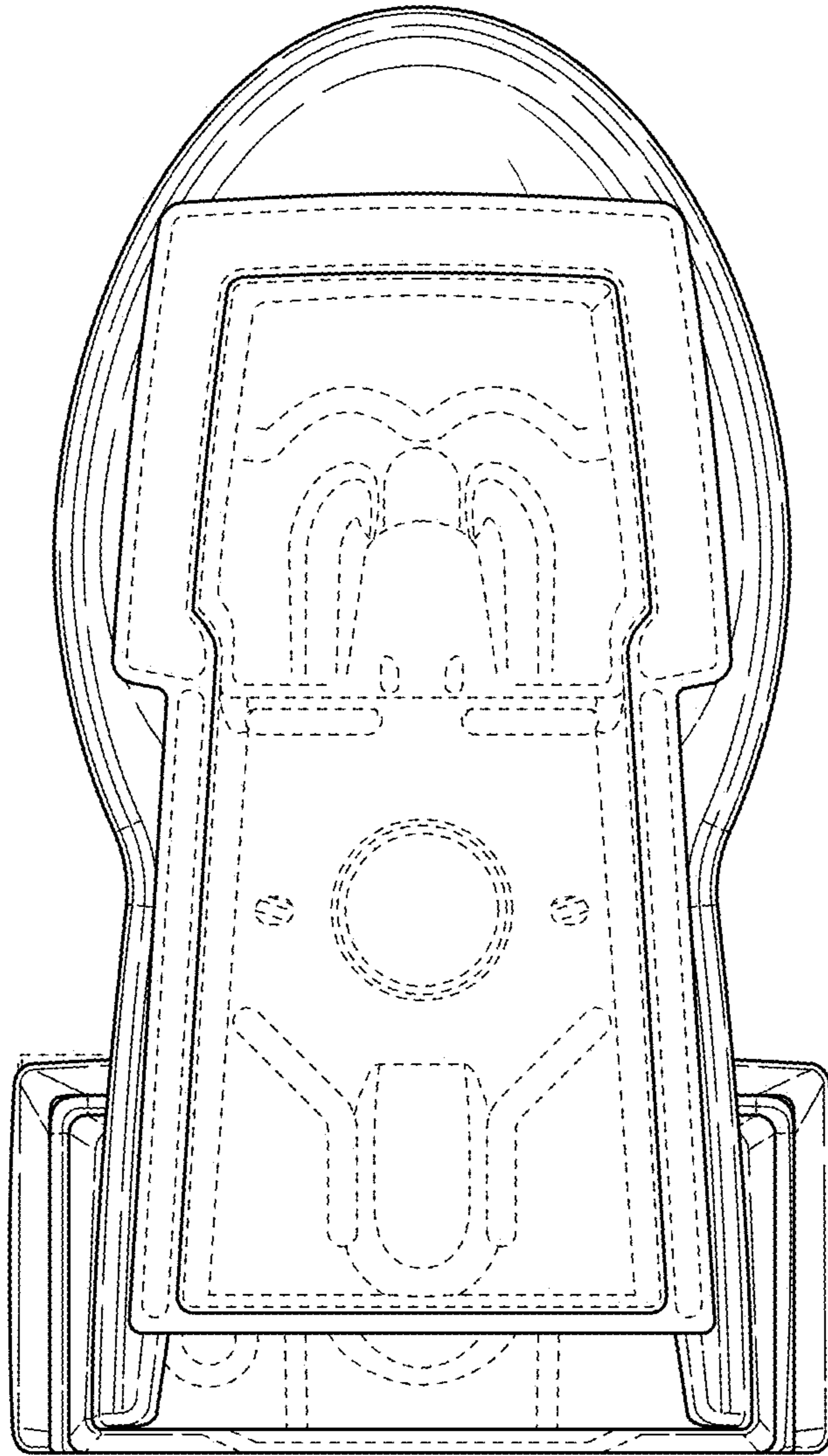


FIG. 7