



US00D903066S

(12) **United States Design Patent** (10) **Patent No.:** **US D903,066 S**  
**Dominguez et al.** (45) **Date of Patent:** **\*\* Nov. 24, 2020**

(54) **FULL IMMERSION THERAPY LOUNGE**

(71) Applicant: **Jacuzzi Inc.**, Chino Hills, CA (US)

(72) Inventors: **Michael A. Dominguez**, Perris, CA (US); **Erica A. Moir**, Santa Ana, CA (US)

(73) Assignee: **Jacuzzi Inc.**, Chino Hills, CA (US)

(\*\*) Term: **15 Years**

(21) Appl. No.: **29/741,277**

(22) Filed: **Jul. 10, 2020**

**Related U.S. Application Data**

(62) Division of application No. 29/664,100, filed on Sep. 21, 2018, now Pat. No. Des. 892,988.

(51) **LOC (12) Cl.** ..... **23-02**

(52) **U.S. Cl.**  
USPC ..... **D23/279; D24/204**

(58) **Field of Classification Search**  
USPC ..... **D23/277, 279; D24/204-205**  
See application file for complete search history.

(56) **References Cited**

**U.S. PATENT DOCUMENTS**

3,719,960 A	3/1973	Russell
D270,658 S	9/1983	Sills et al.
4,432,104 A	2/1984	Sasaki
D297,161 S	8/1988	Weschta
4,796,312 A	1/1989	Corlew
D355,245 S	2/1995	Sills et al.
6,473,915 B1	11/2002	Davis et al.
D573,700 S	7/2008	Clarke
D629,117 S	12/2010	Walker
D686,332 S	7/2013	Suri
D697,183 S	1/2014	Sital et al.
D697,593 S	1/2014	Sills
D704,315 S	5/2014	Pagano

D716,917 S 11/2014 Suri  
9,301,652 B2 4/2016 Millerd  
D842,972 S 3/2019 O'Brien  
2010/0037382 A1 2/2010 Spiker et al.

(Continued)

*Primary Examiner* — Robert A Delehanty

(74) *Attorney, Agent, or Firm* — The Webb Law Firm

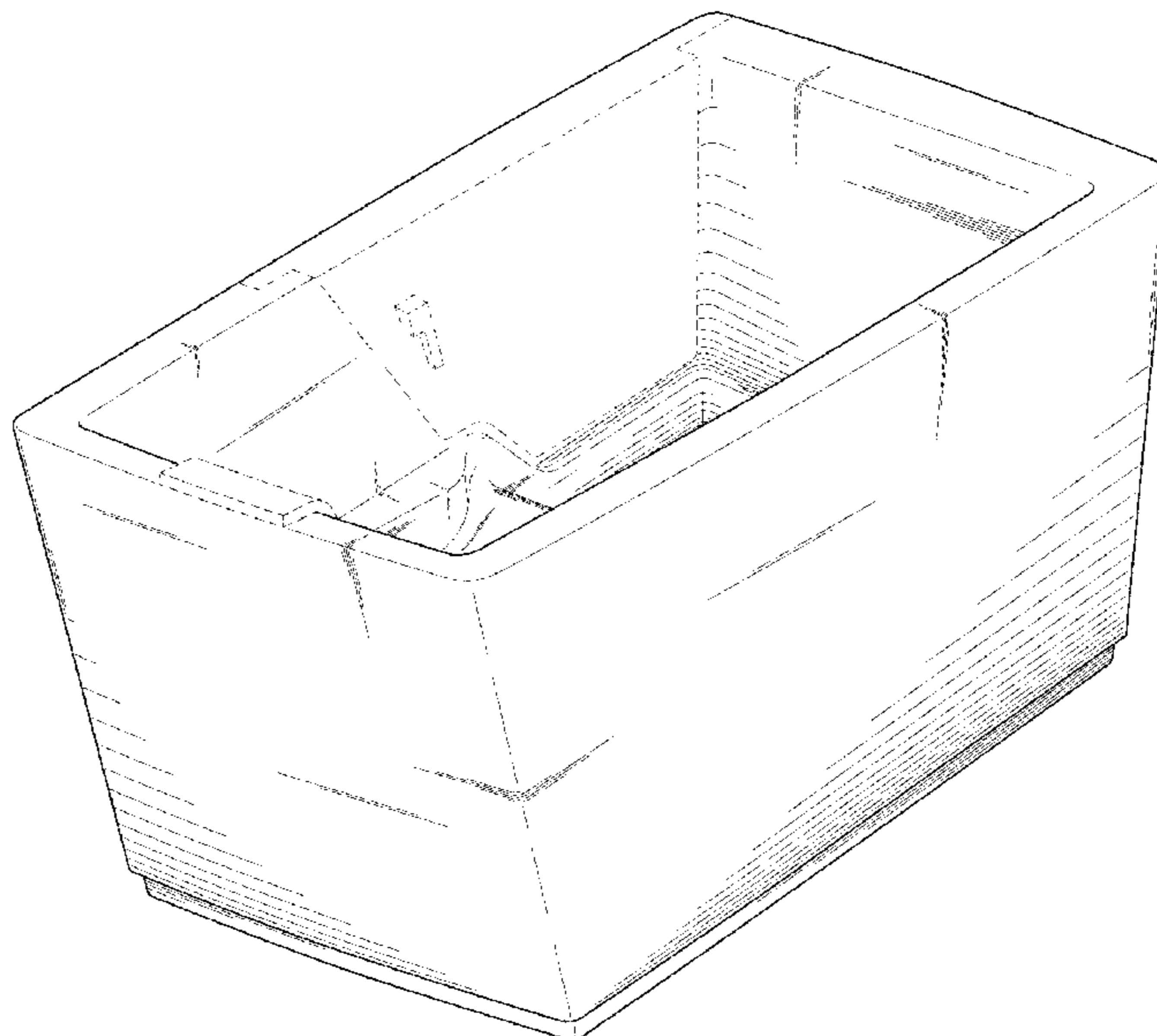
(57) **CLAIM**

The ornamental design for a full immersion therapy lounge, as shown and described.

**DESCRIPTION**

FIG. 1 is an upper rear right perspective view of a full immersion therapy lounge showing our new design in accordance with a first embodiment of the present invention; FIG. 2 is a front elevation view thereof; FIG. 3 is a rear elevation view thereof; FIG. 4 is a top view thereof; FIG. 5 is a right side elevation view thereof; FIG. 6 is a left side elevation view thereof; FIG. 7 is a cross-sectional view thereof taken along lines 7-7 shown in FIG. 4; FIG. 8 is an upper rear right perspective view of a full immersion therapy lounge showing our new design in accordance with a second embodiment of the present invention; FIG. 9 is an upper front left perspective view thereof; FIG. 10 is a front elevation view thereof; FIG. 11 is a rear elevation view thereof; FIG. 12 is a top view thereof; FIG. 13 is a right side elevation view thereof; and, FIG. 14 is a left side elevation view thereof. The portions of the full immersion therapy lounge shown in broken lines form no part of the claimed design. The dashed-dotted line showings of FIGS. 8, 9, 12, and 13 illustrate boundaries between the claimed design and environmental features.

**1 Claim, 12 Drawing Sheets**



(56)

**References Cited**

U.S. PATENT DOCUMENTS

2010/0192293	A1	8/2010	Sauers et al.
2013/0086739	A1	4/2013	Booth, III
2014/0101841	A1	4/2014	Bentley
2014/0201900	A1	7/2014	Torres
2016/0271012	A1	9/2016	Xu
2017/0224177	A1	8/2017	Torres
2018/0192829	A1	7/2018	Manchiraju

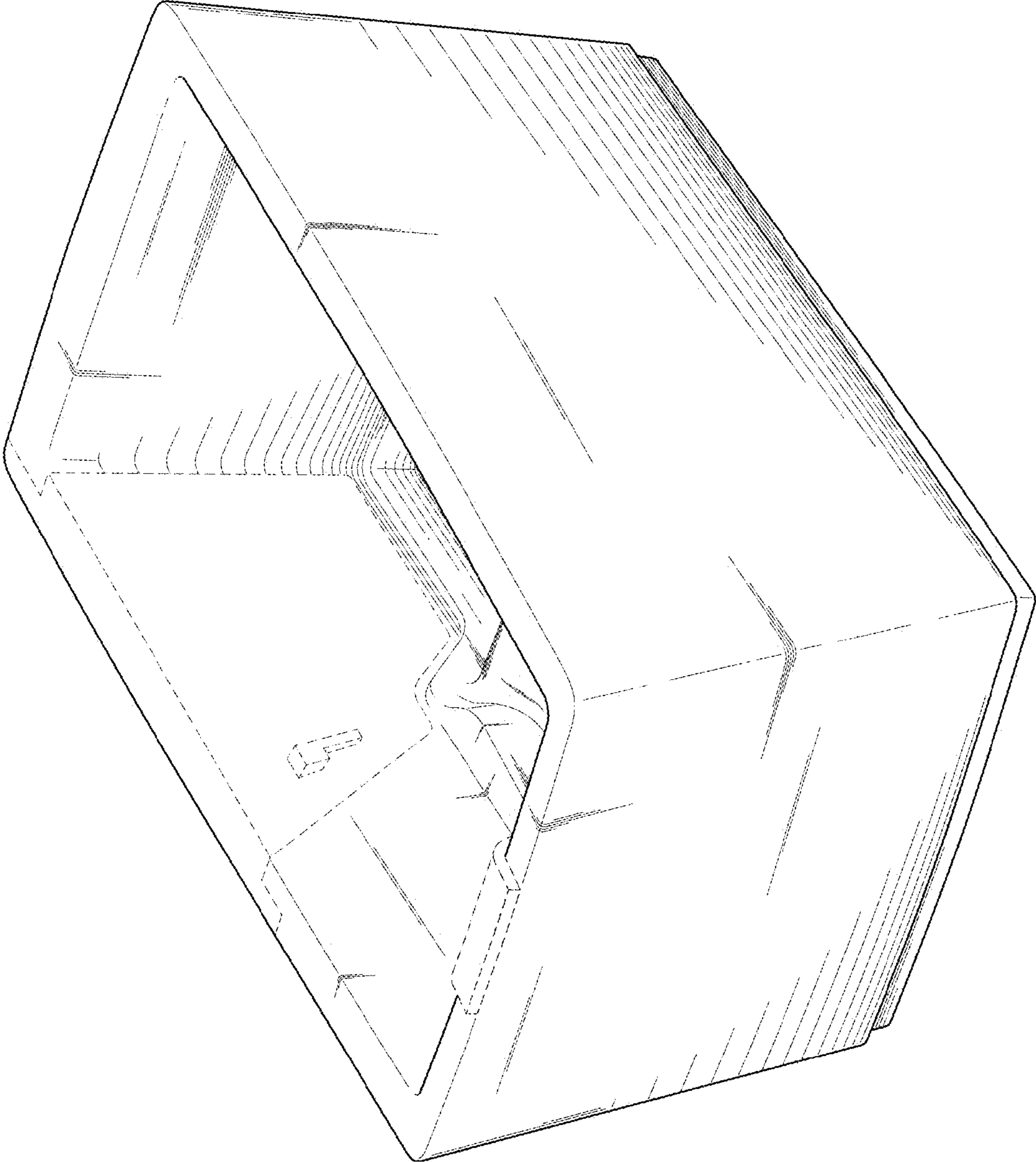
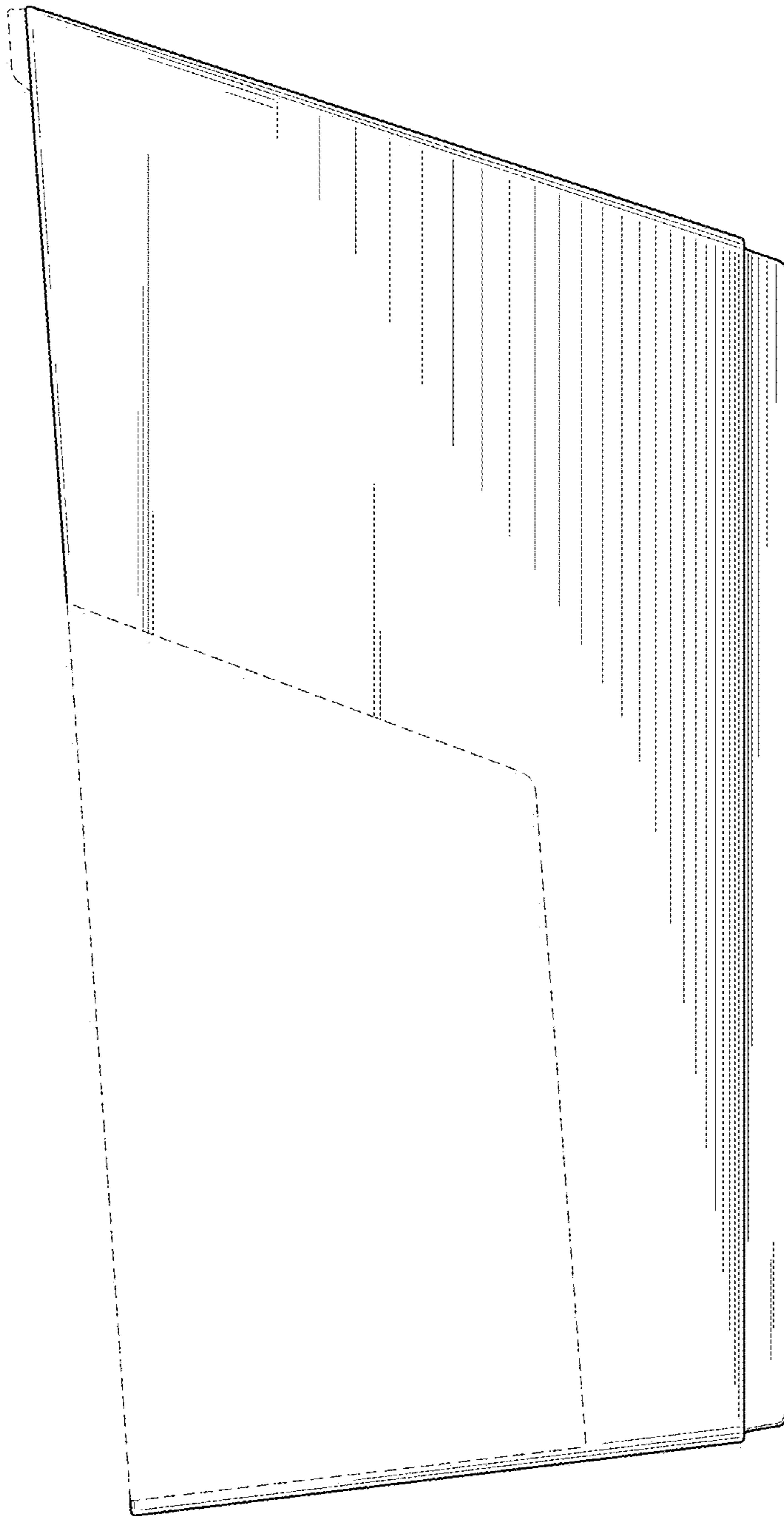
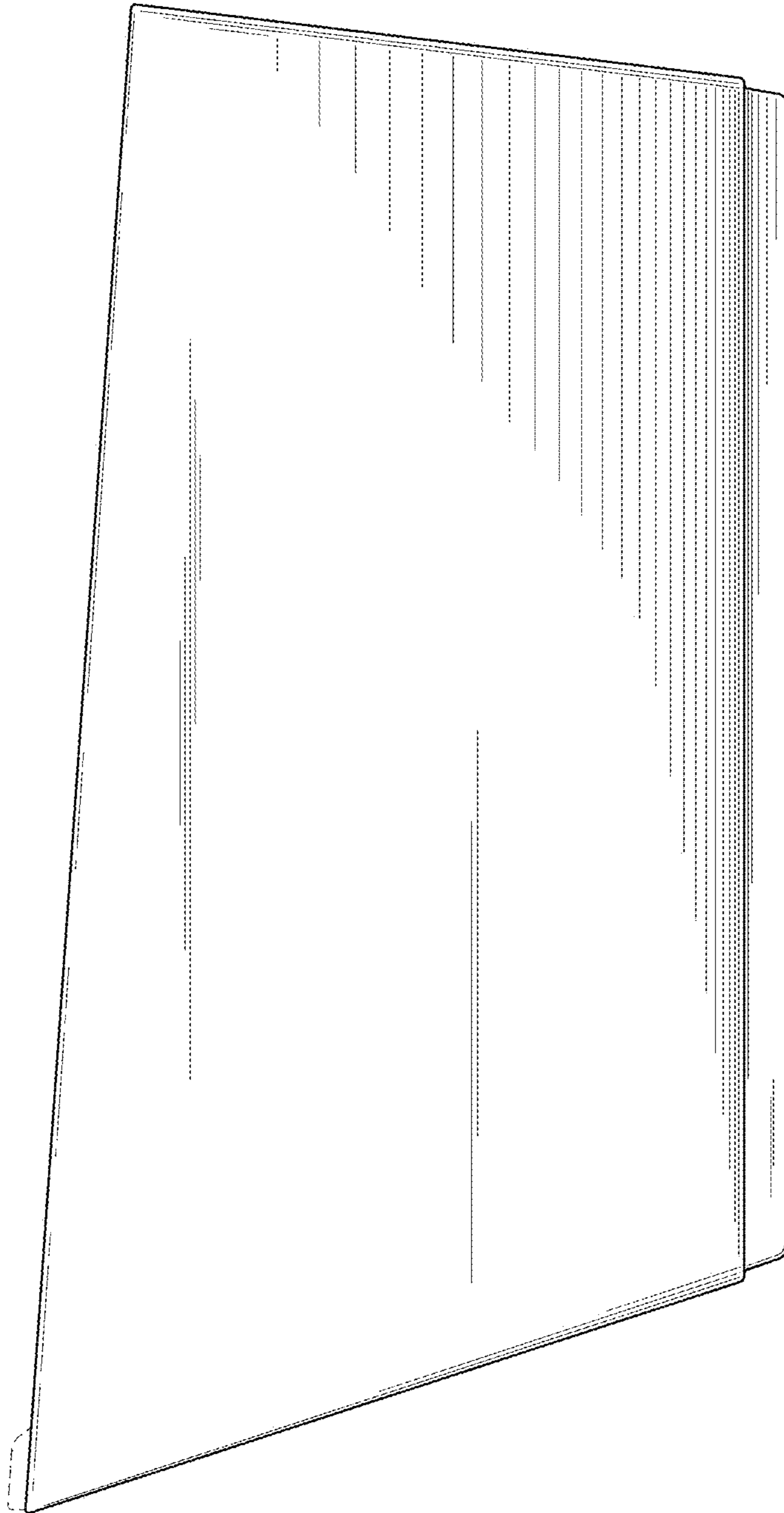


FIG. 1



**FIG. 2**



**FIG. 3**



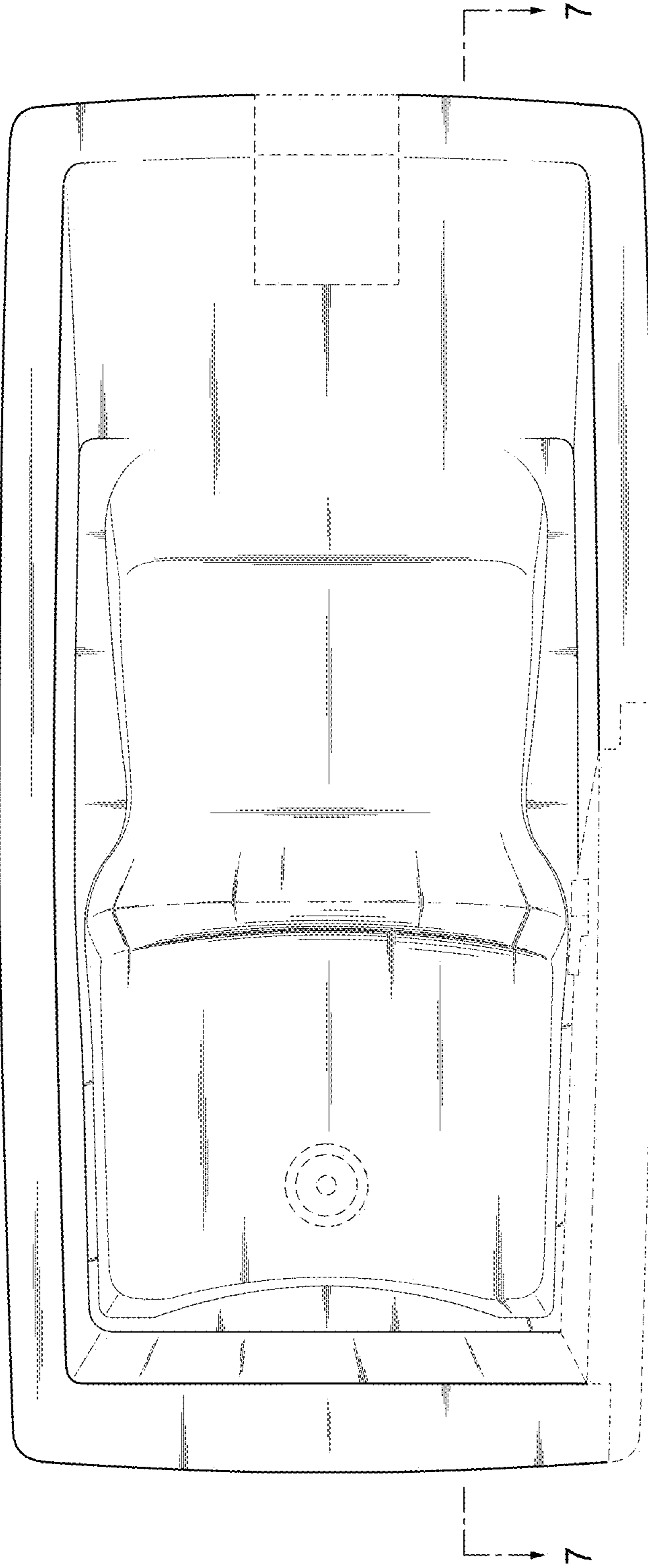
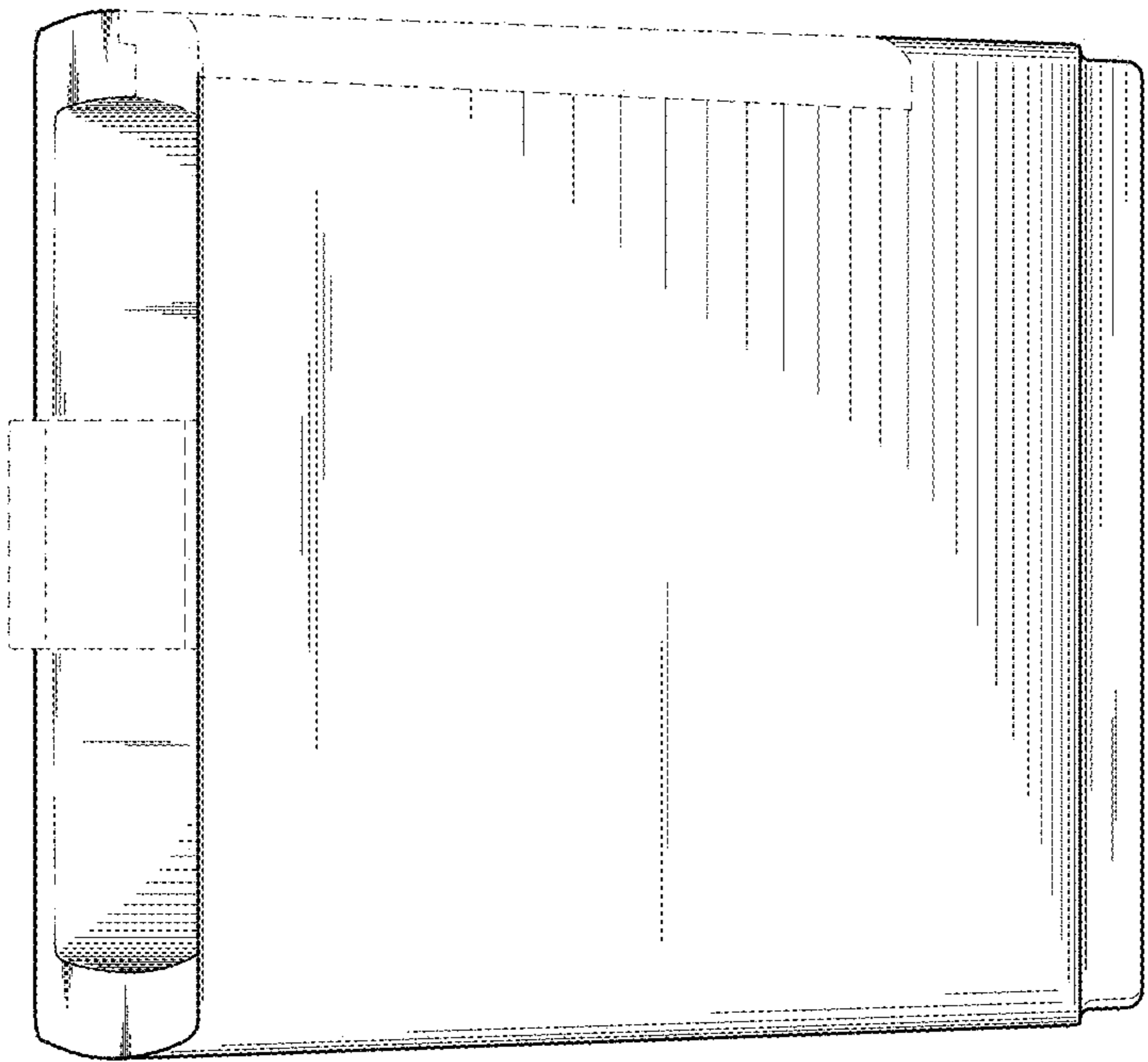
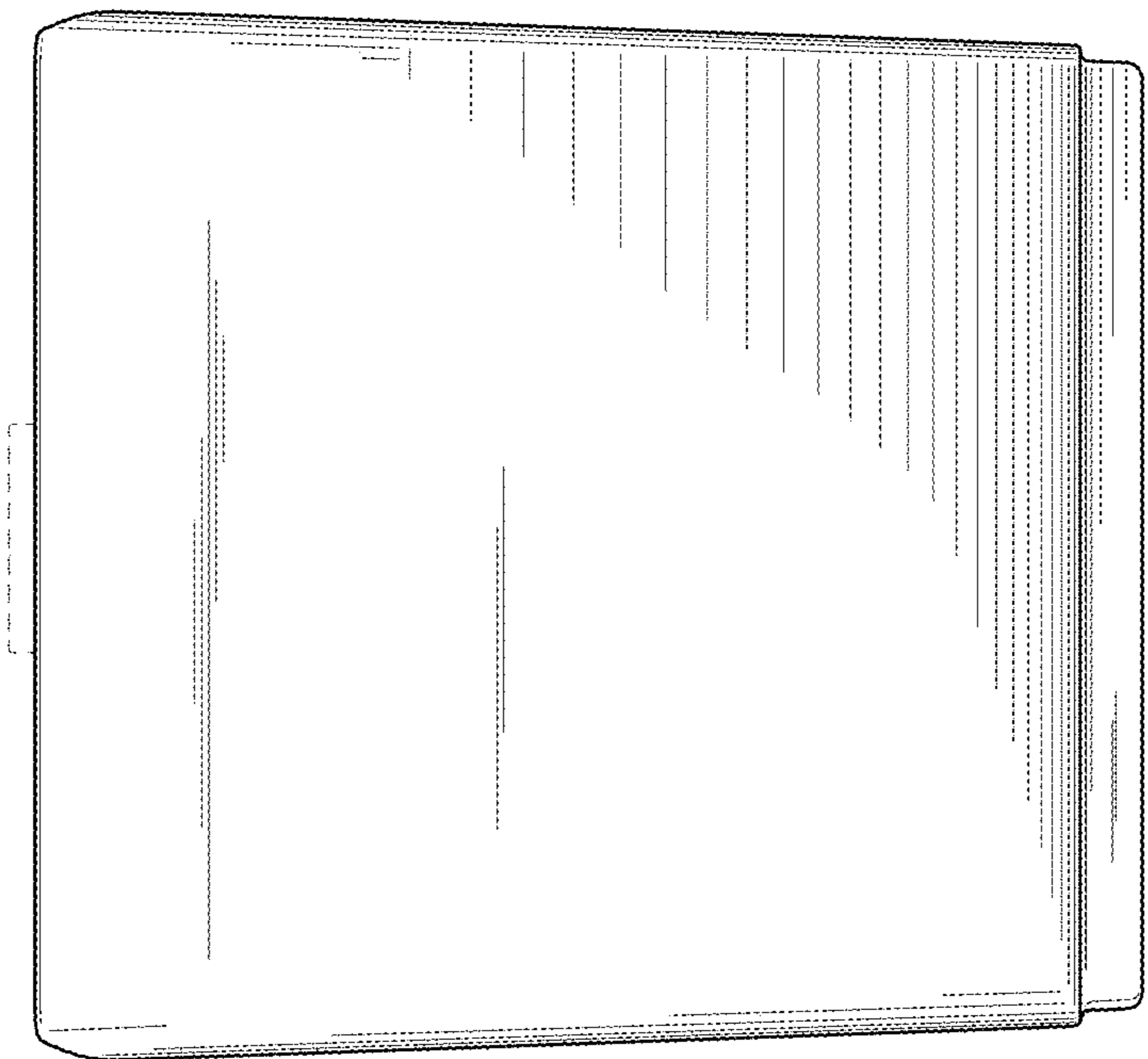


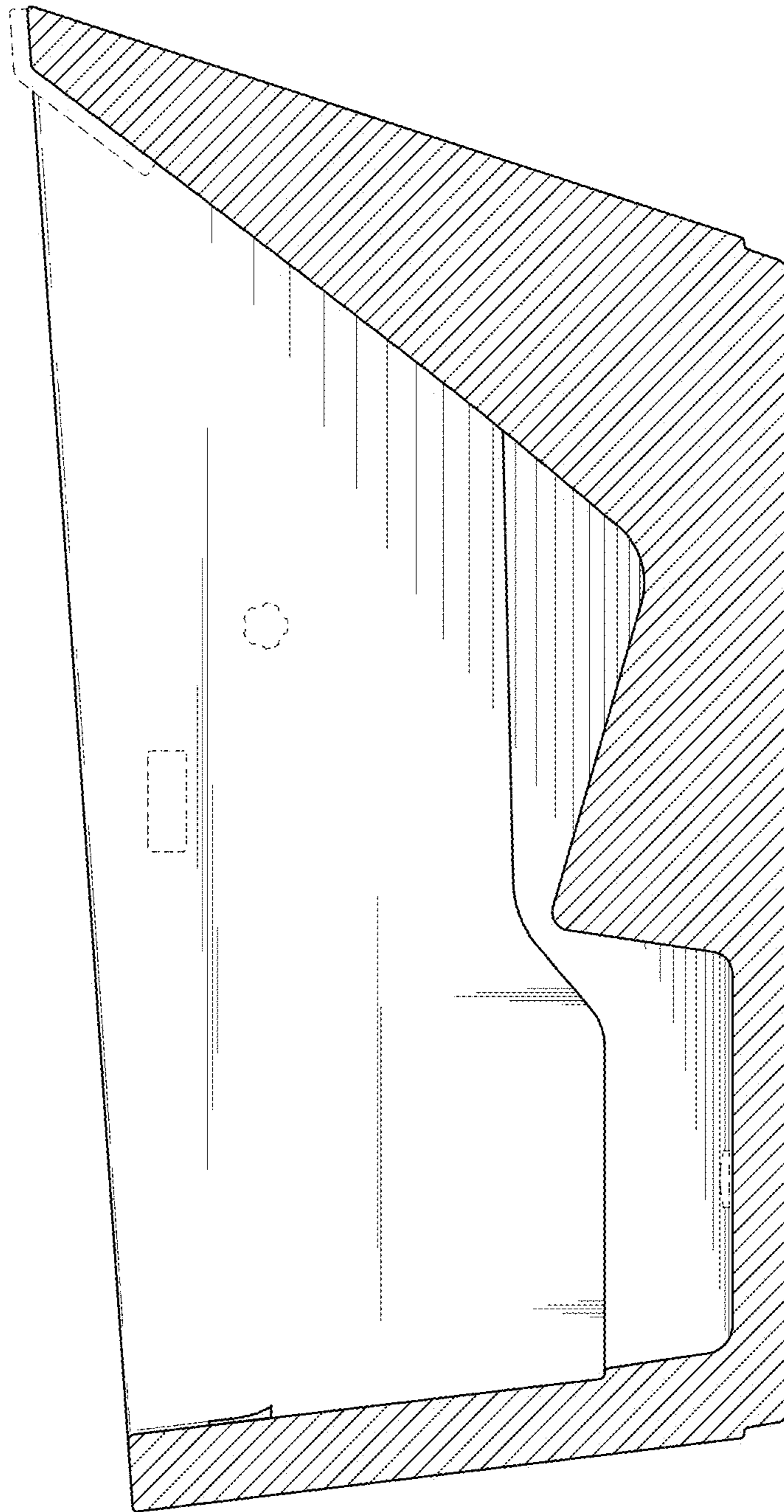
FIG. 4



**FIG. 5**



**FIG. 6**



**FIG. 7**



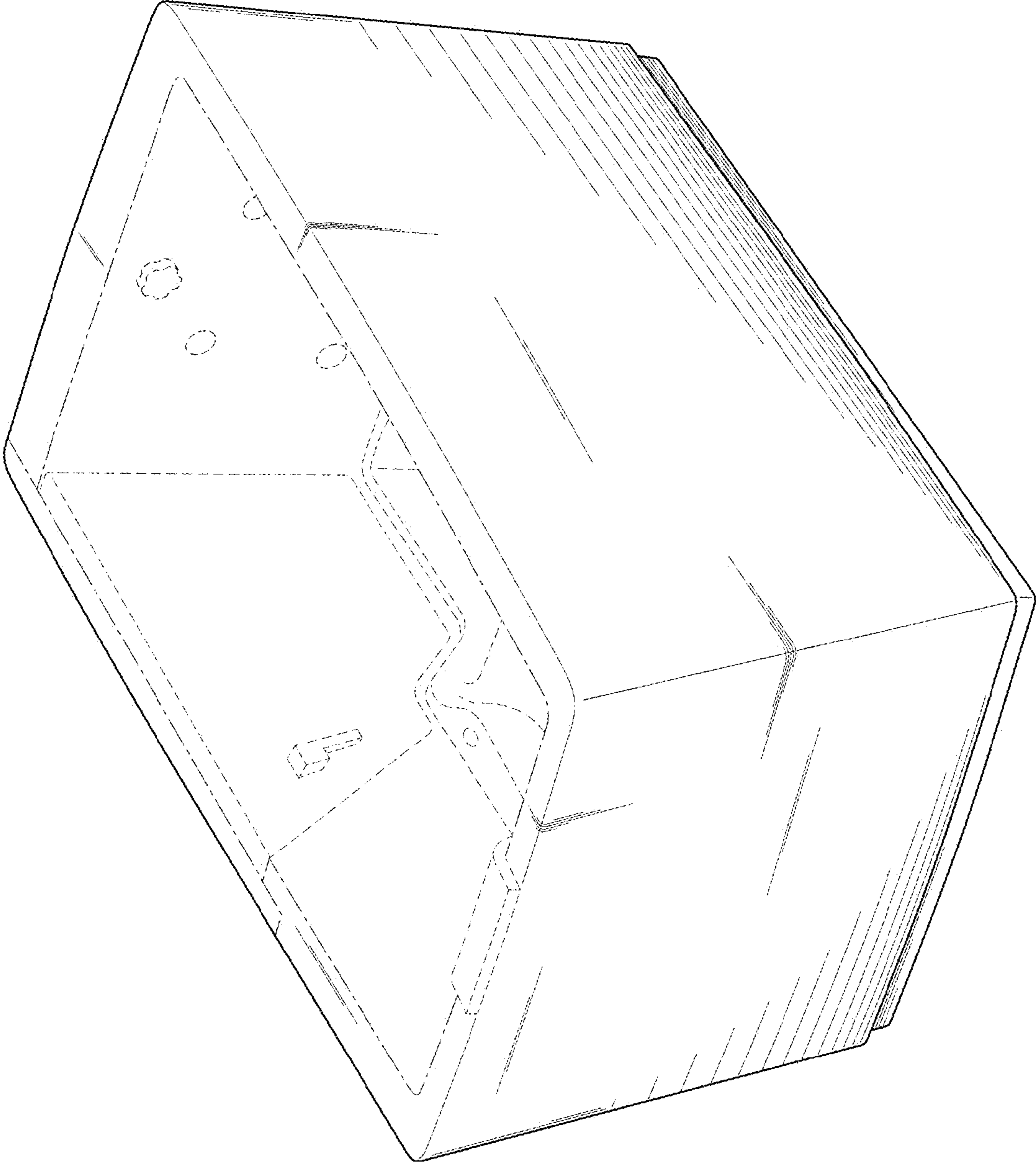
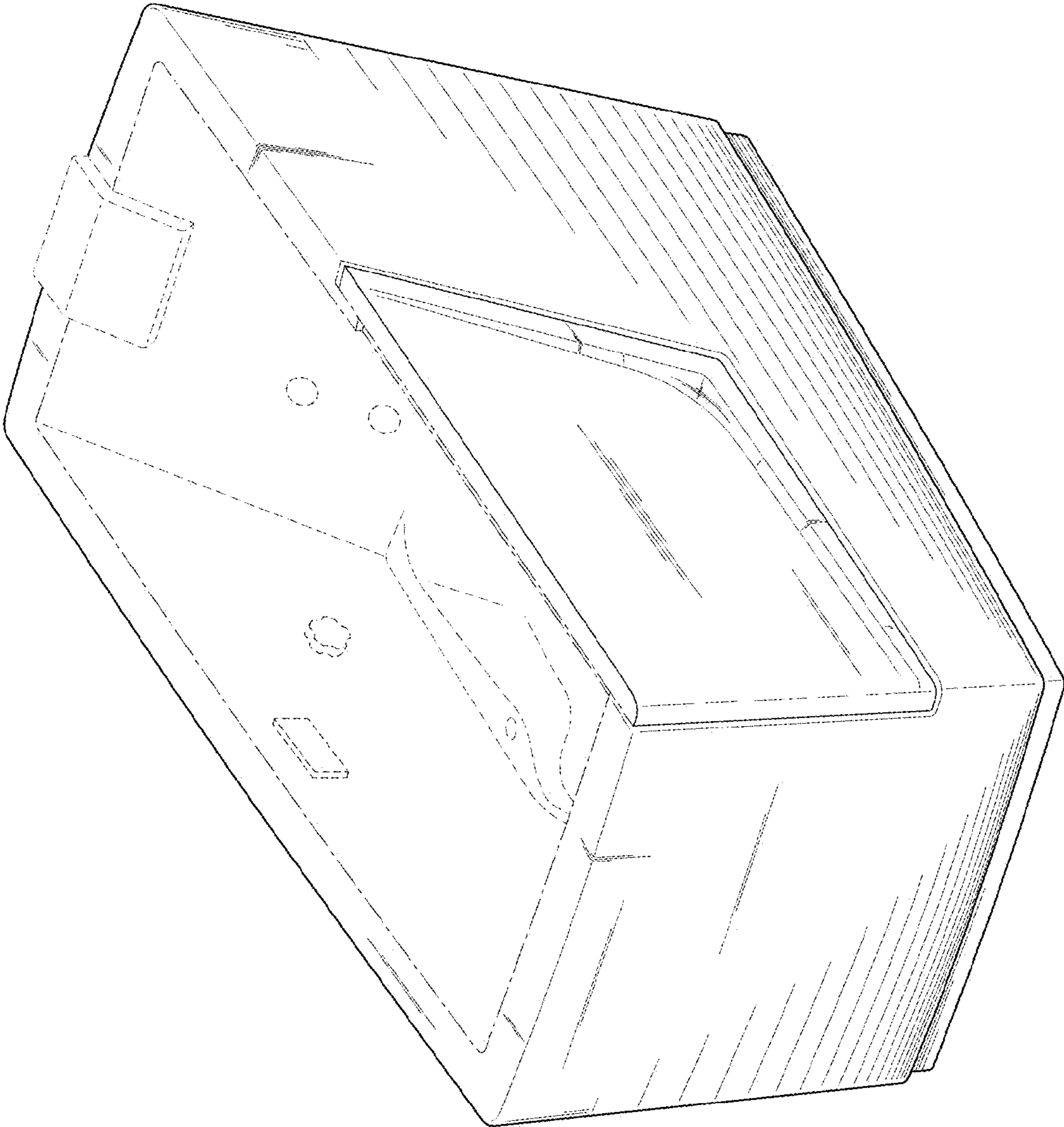
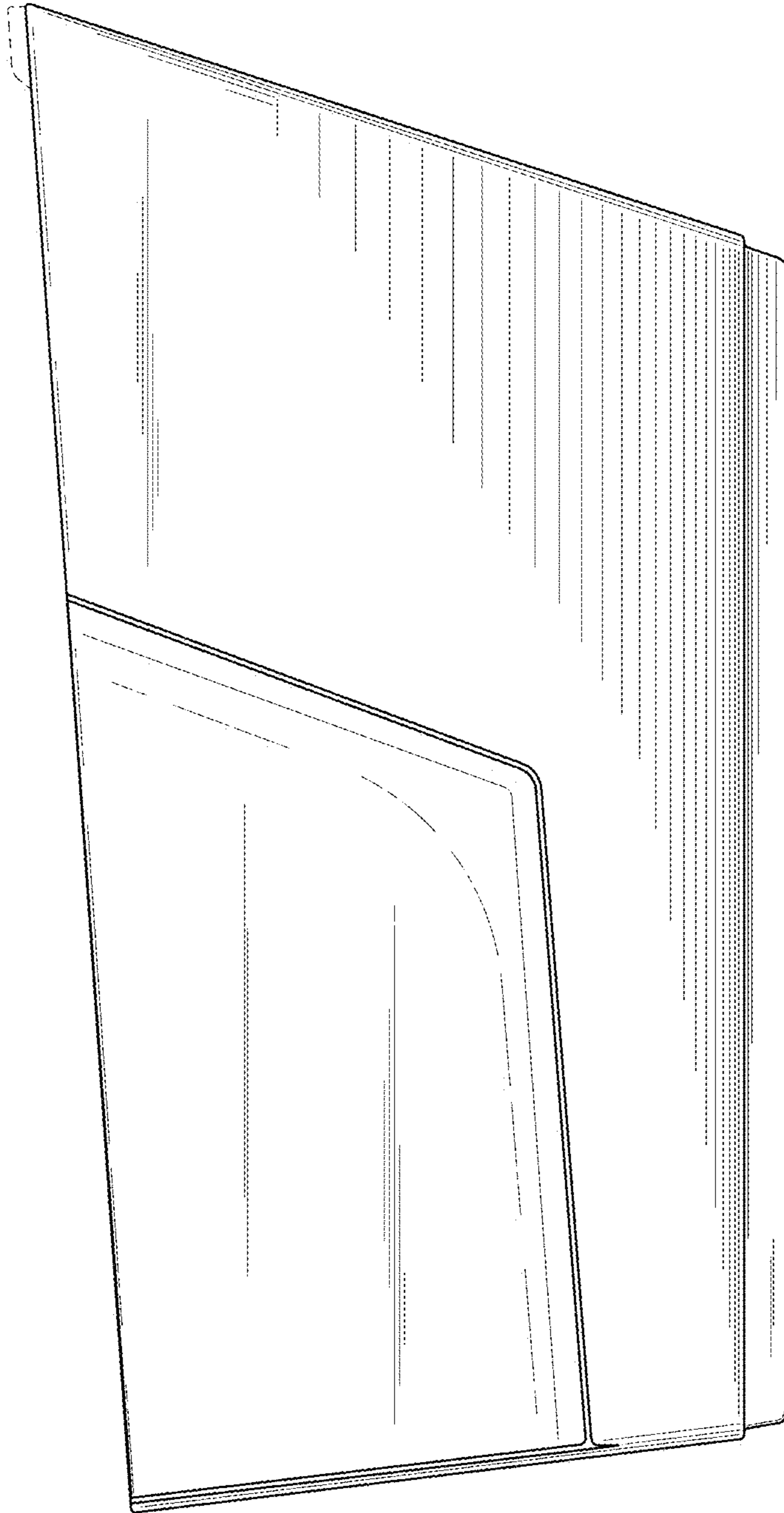


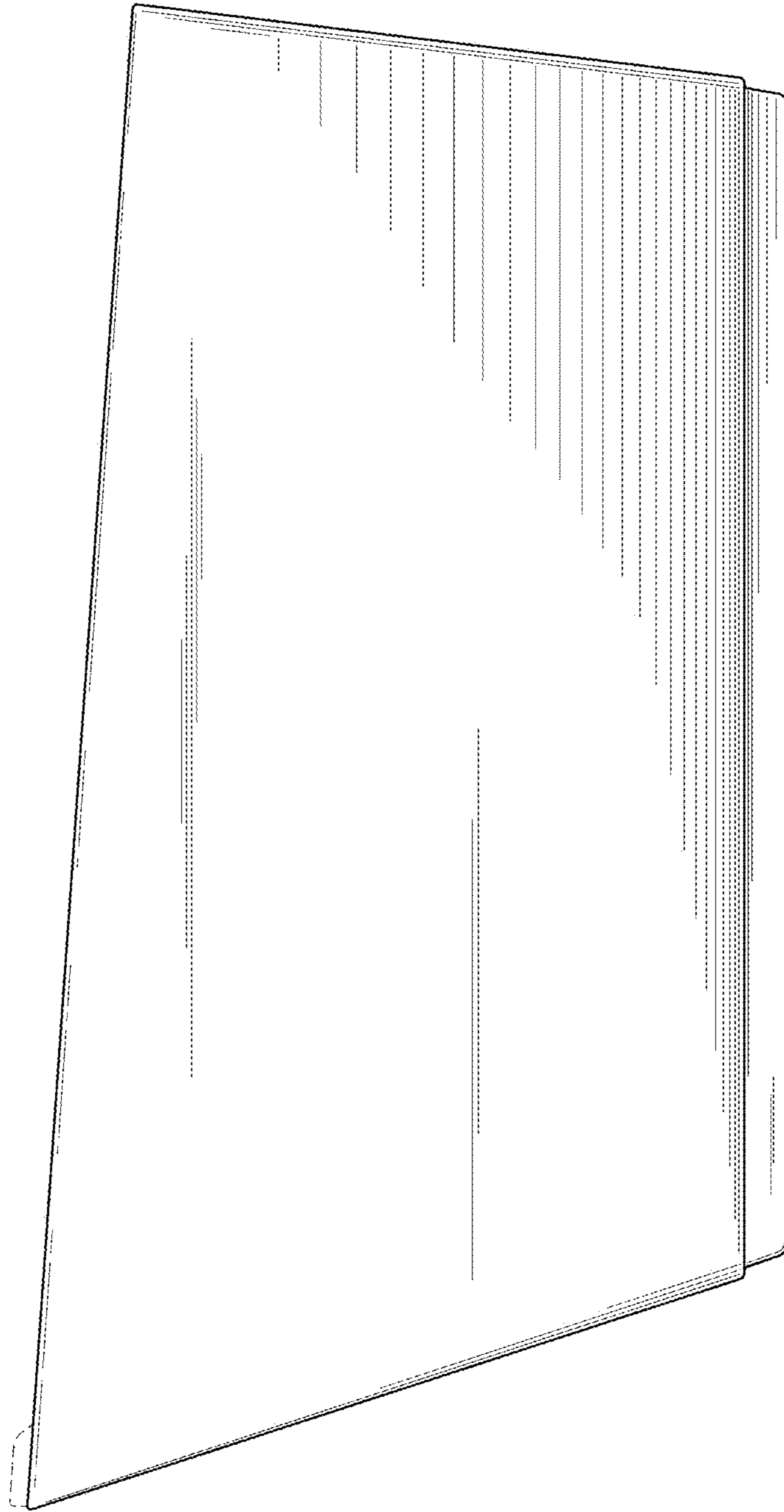
FIG. 8



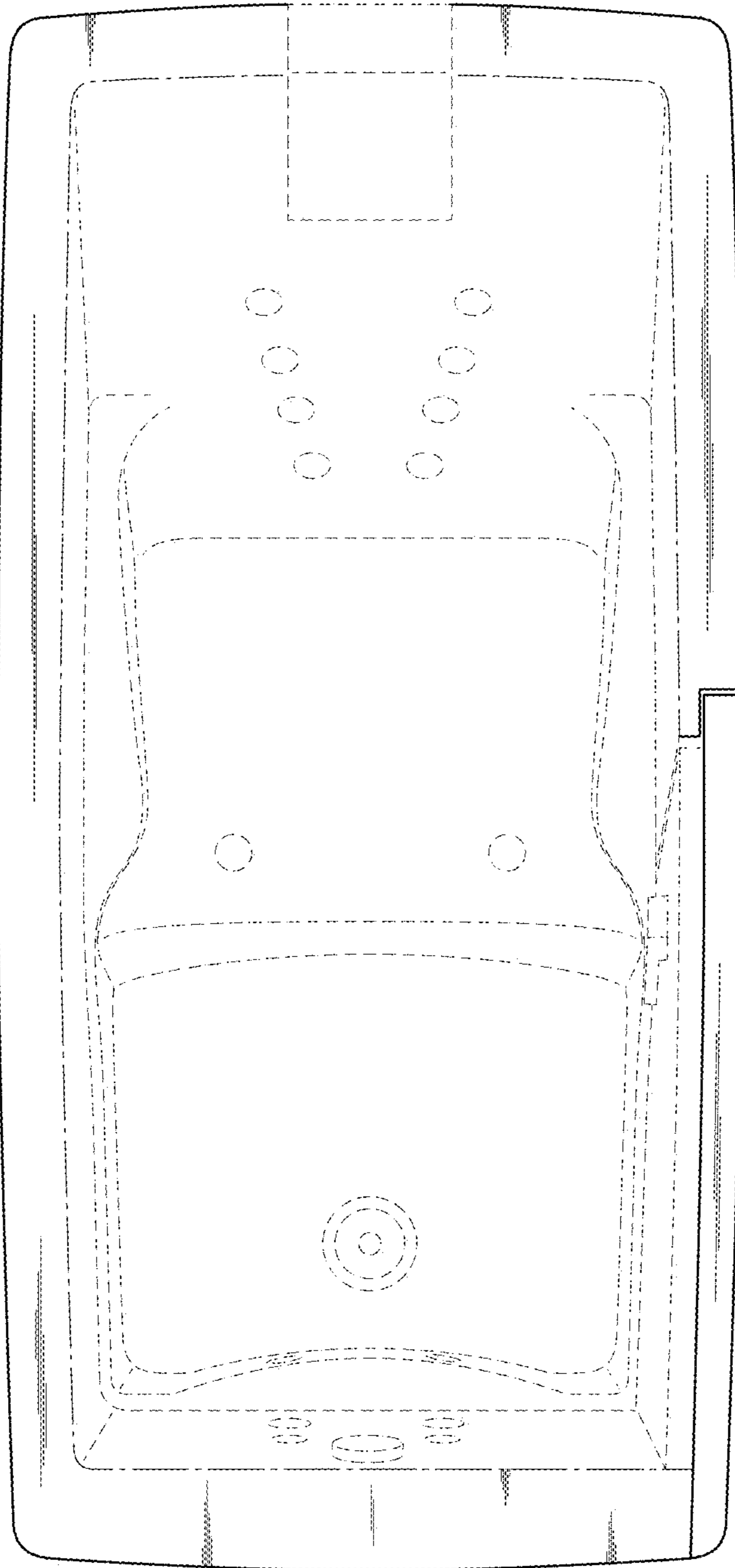
**FIG. 9**



**FIG. 10**

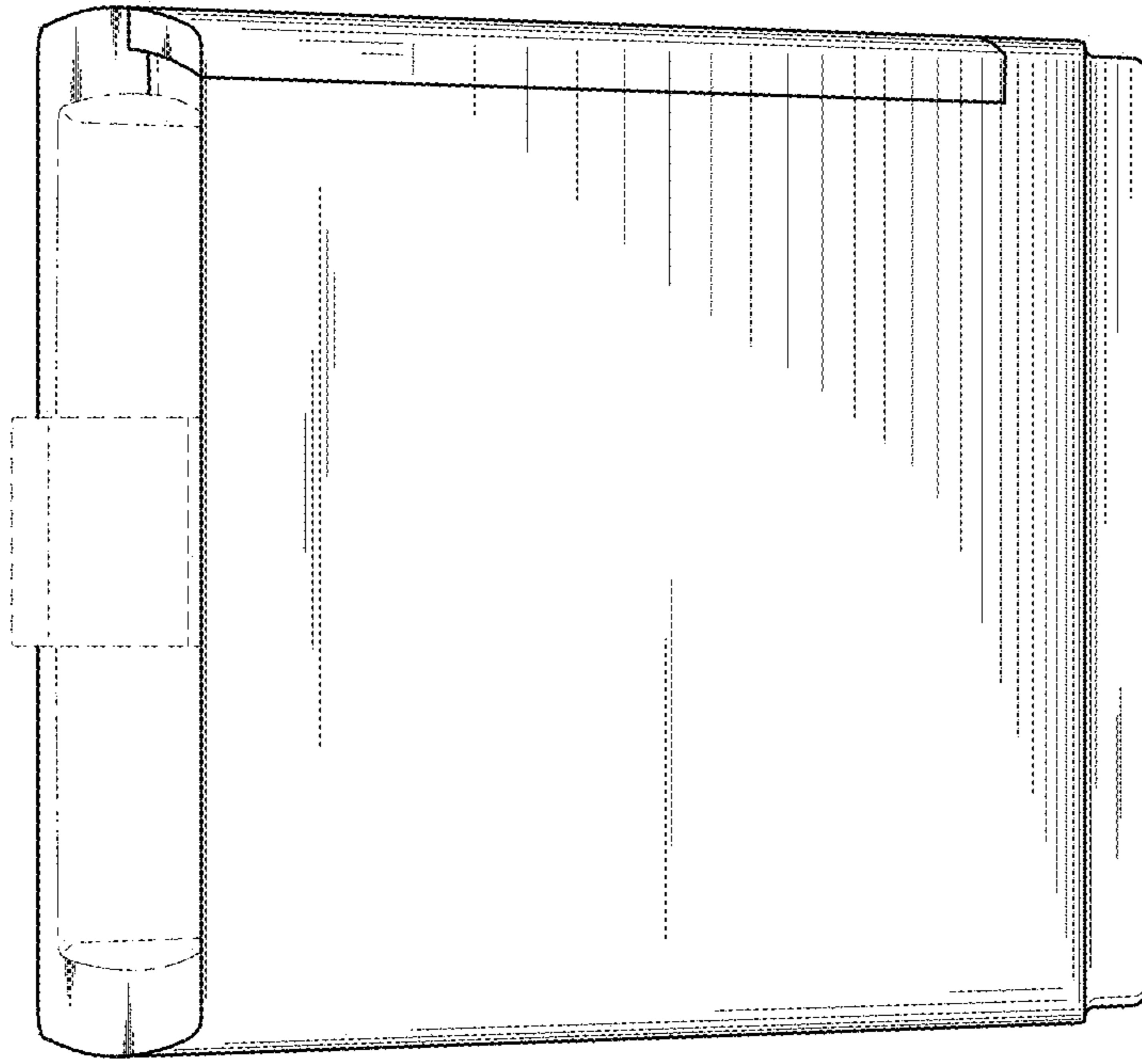


**FIG. 11**

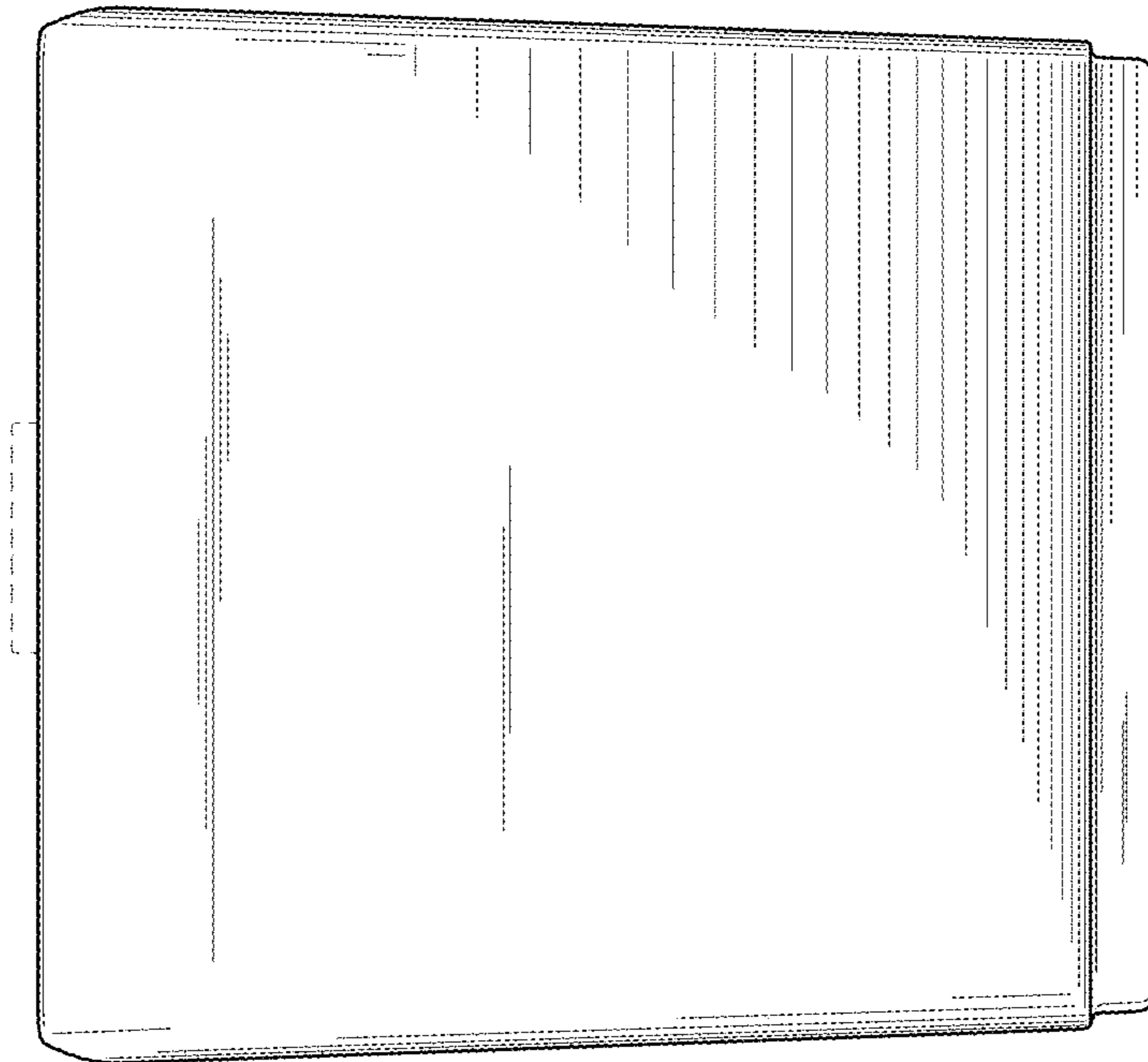


**FIG. 12**





**FIG. 13**



**FIG. 14**