



US00D903062S

(12) **United States Design Patent**  
**Harper et al.**

(10) **Patent No.:** **US D903,062 S**

(45) **Date of Patent:** **\*\* Nov. 24, 2020**

(54) **FITTING**

(71) Applicant: **EKWB d.o.o.**, Komenda (SI)

(72) Inventors: **Daniel George Harper**, London (GB);  
**Eugene Chen**, Hsinchu (TW); **Pitt Chang**, New Taipei (TW)

(73) Assignee: **EKWB D.O.O.**, Komeda (SI)

(\*\*) Term: **15 Years**

(21) Appl. No.: **29/675,965**

(22) Filed: **Jan. 7, 2019**

(51) **LOC (12) Cl.** ..... **23-01**

(52) **U.S. Cl.**  
USPC ..... **D23/259**

(58) **Field of Classification Search**  
USPC ..... D23/259, 266, 262–263, 265, 213, 233;  
D24/110–112, 127, 129, 110.6; D8/356,  
D8/382, 395–396; 285/308, 149.6, 320,  
285/148.9, 148.21, 148.22, 148.2, 129.1,  
285/129.2, 134.1; 251/149.6;  
137/614.02, 614.05–614.06, 798, 173,  
137/226, 330; D27/163–169, 194;  
D9/448–450, 453  
CPC ..... F16L 21/08; F16L 27/073; A61M 39/26  
See application file for complete search history.

(56) **References Cited**

**U.S. PATENT DOCUMENTS**

3,390,898 A \* 7/1968 Sumida ..... F16L 37/1215  
285/34  
3,428,340 A \* 2/1969 Pelton ..... F16L 37/0885  
285/95

D263,163 S \* 2/1982 Olde ..... D23/262  
D272,718 S \* 2/1984 Knudson ..... D8/382  
D297,620 S \* 9/1988 Cracauer ..... D9/447  
D318,520 S \* 7/1991 Beaston ..... D23/262  
D320,260 S \* 9/1991 Beaston ..... D23/262  
D347,465 S \* 5/1994 Luppino ..... D23/233  
D397,413 S \* 8/1998 Sapp ..... D23/262  
D476,957 S \* 7/2003 Chudoba ..... D13/151  
D484,411 S \* 12/2003 Haruch ..... D9/439  
D711,516 S \* 8/2014 Guest ..... D23/262  
D721,266 S \* 1/2015 Sun ..... D8/382

\* cited by examiner

*Primary Examiner* — Amy C Wierenga

(74) *Attorney, Agent, or Firm* — McGarry Bair PC

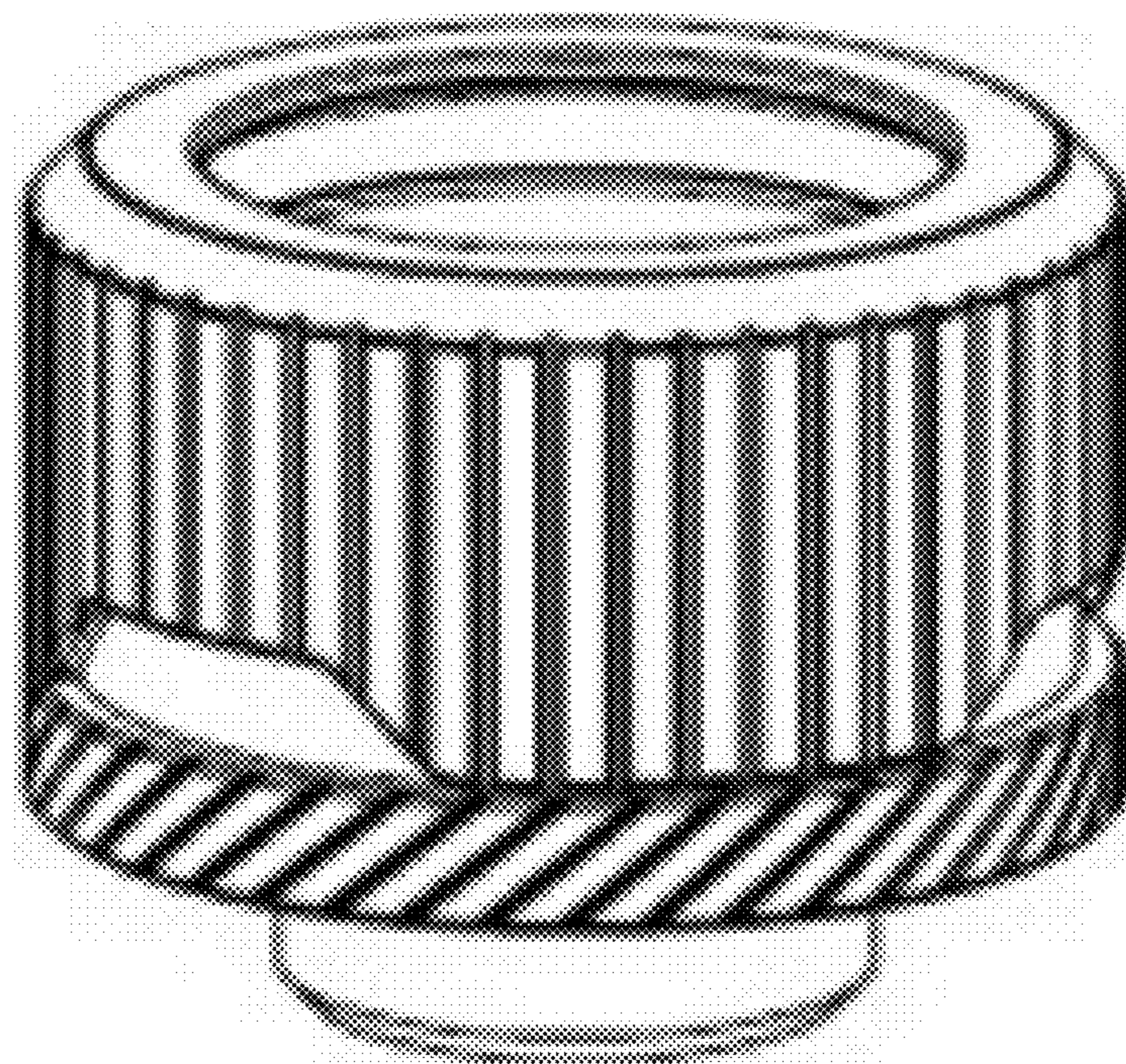
(57) **CLAIM**

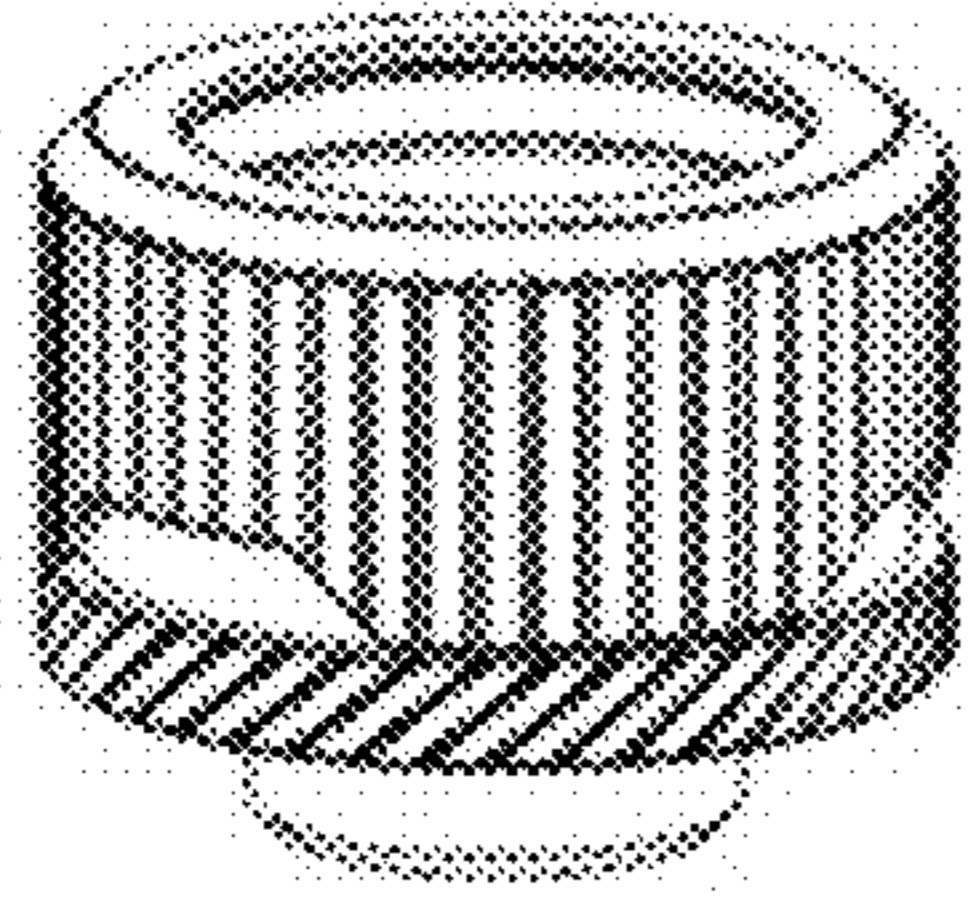
The ornamental design for a fitting, as shown and described.

**DESCRIPTION**

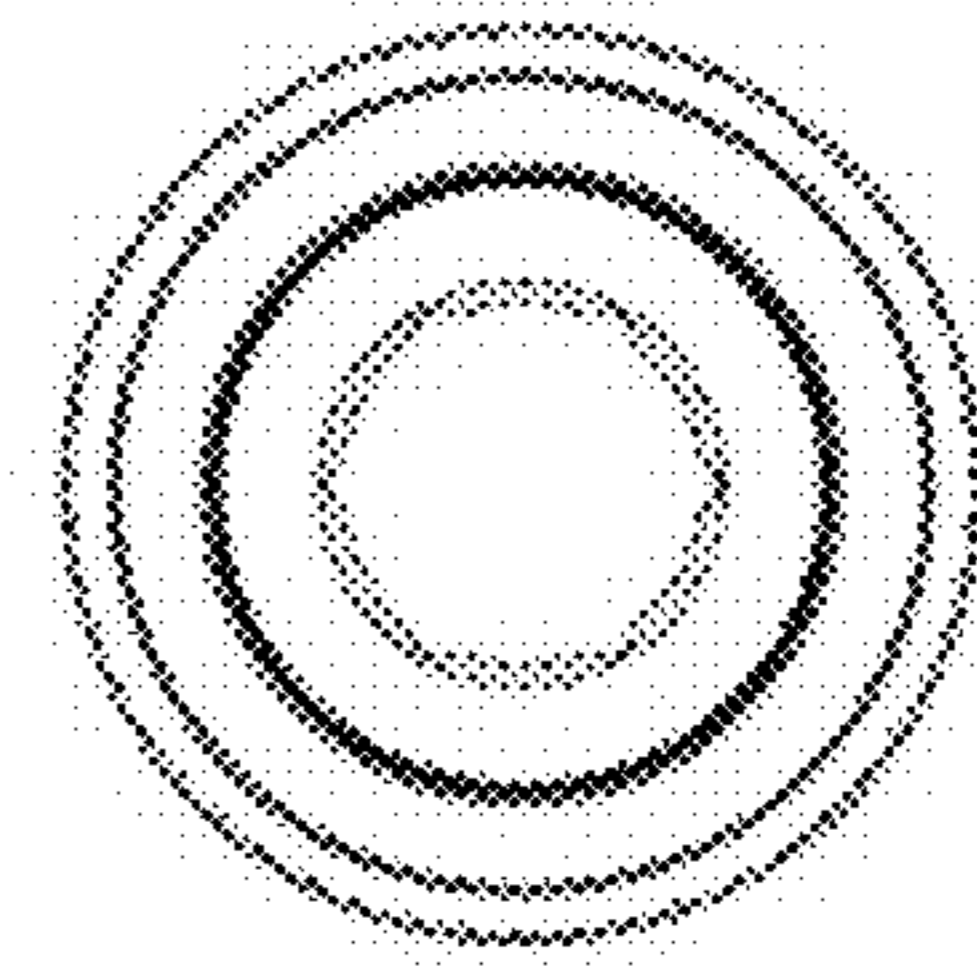
FIG. 1 is a top perspective view of a fitting, showing our new design;  
FIG. 2 is a top view thereof;  
FIG. 3 is a side view thereof;  
FIG. 4 is a front side view thereof; and,  
FIG. 5 is a cross-sectional view thereof, taken along section line V-V of FIG. 3.  
The alternating dashed-line and solid-line pattern shown in the sectional view of FIG. 5 is only included to indicate sectioned portions of the fitting, and forms no part of the claimed design.

**1 Claim, 1 Drawing Sheet**

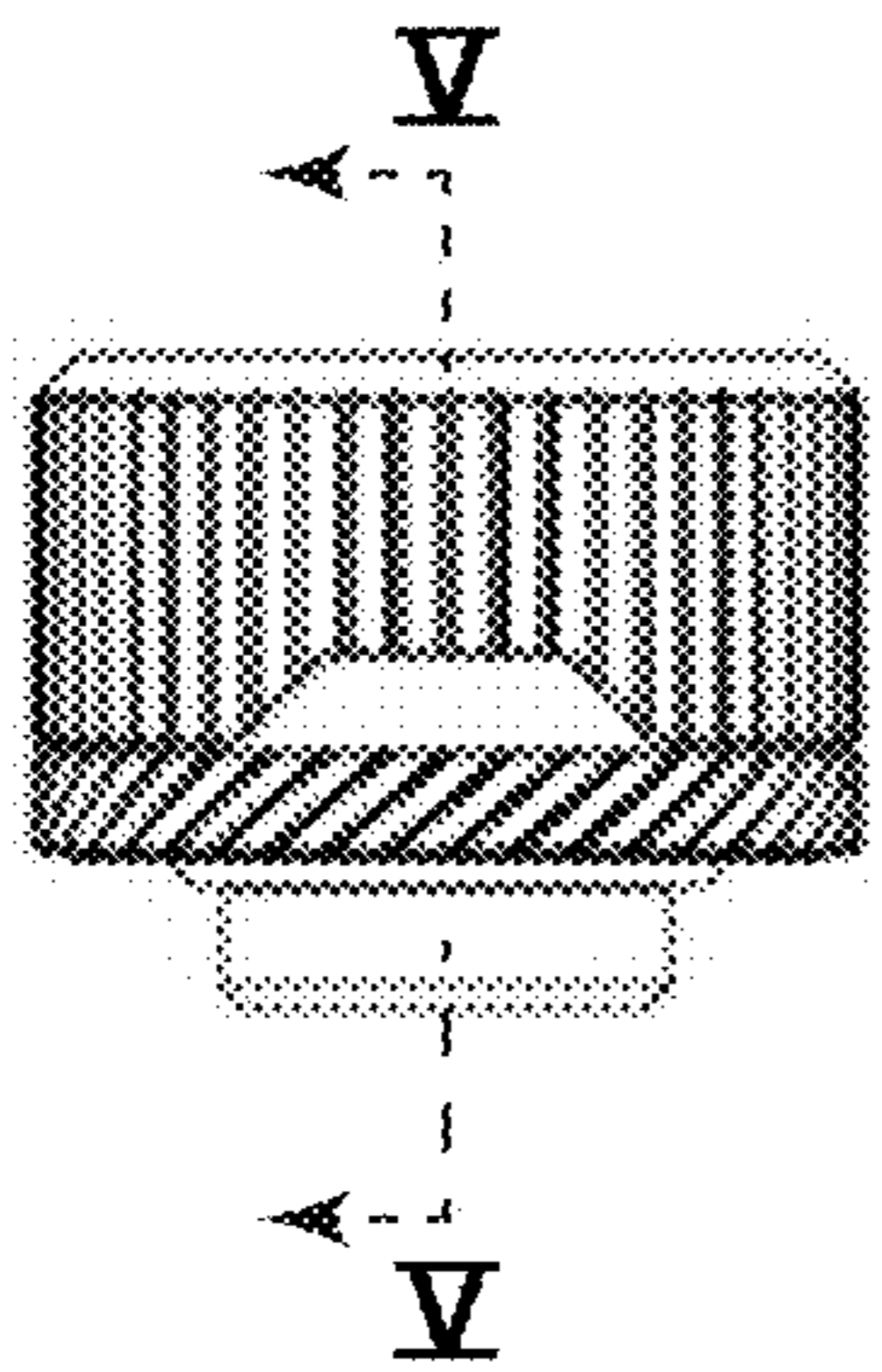




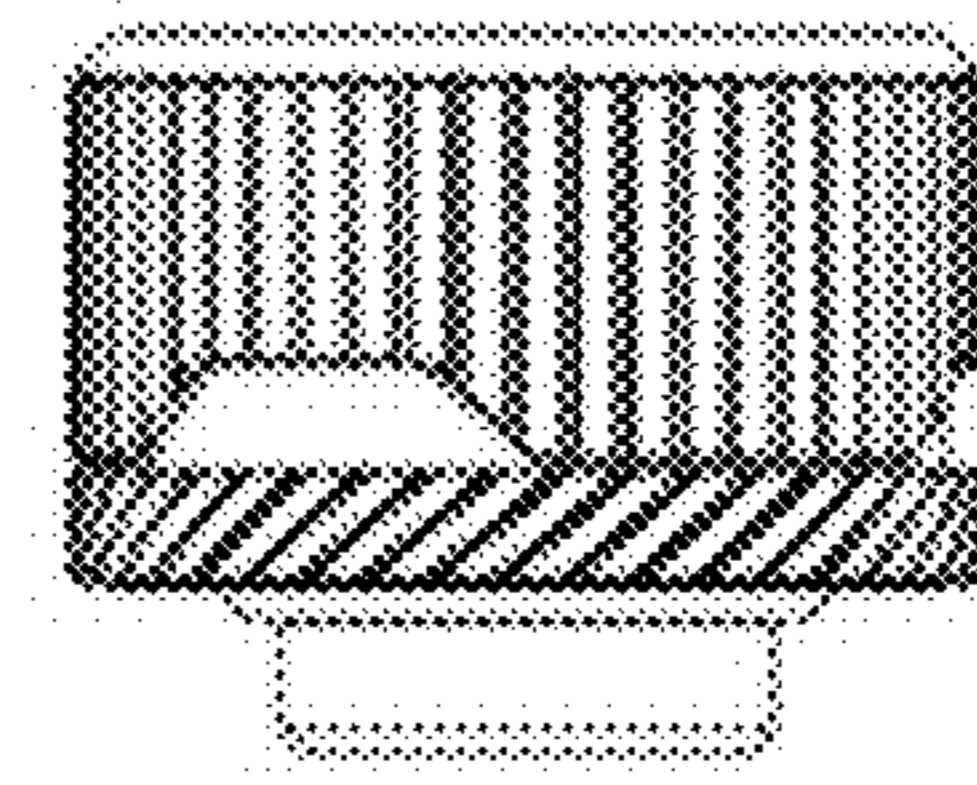
**FIG. 1**



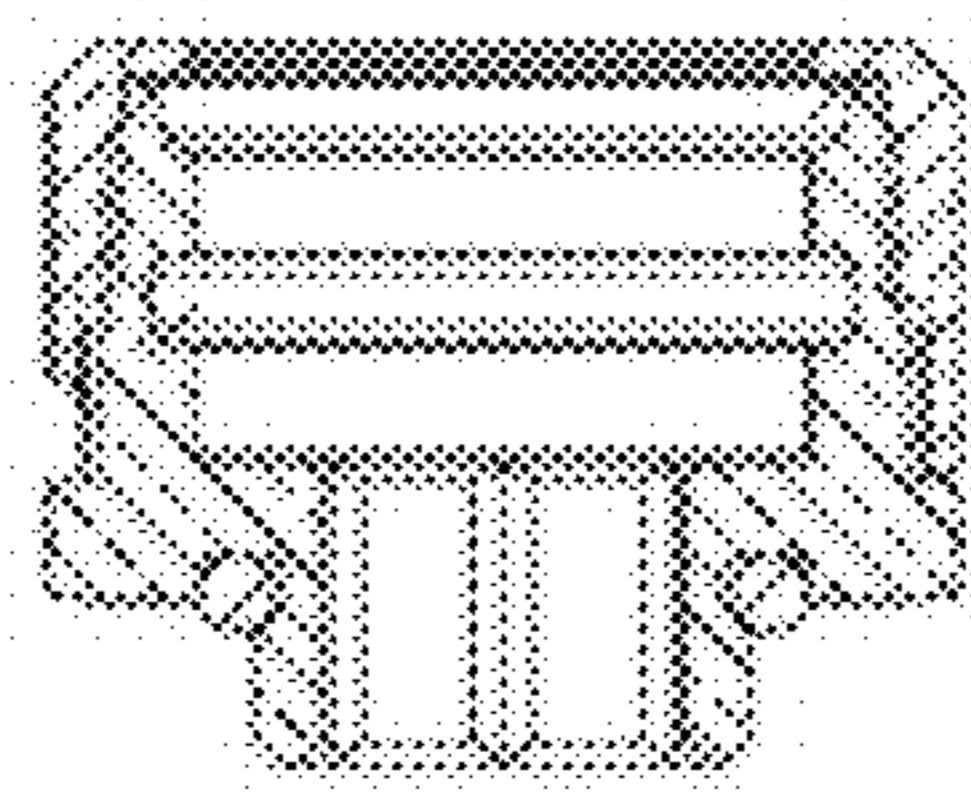
**FIG. 2**



**FIG. 3**



**FIG. 4**



**FIG. 5**