



US00D903061S

(12) **United States Design Patent**  
**Harper et al.**

(10) **Patent No.:** **US D903,061 S**

(45) **Date of Patent:** **\*\* Nov. 24, 2020**

(54) **FITTING**  
(71) Applicant: **EKWB d.o.o.**, Komenda (SI)  
(72) Inventors: **Daniel George Harper**, London (GB);  
**Eugene Chen**, Hsinchu (TW); **Pitt Chang**, New Taipei (TW)

D347,465 S \* 5/1994 Luppino ..... D23/233  
D397,413 S \* 8/1998 Sapp ..... D23/262  
D476,957 S \* 7/2003 Chudoba ..... D13/151  
D484,411 S \* 12/2003 Haruch ..... D9/439  
D545,191 S \* 6/2007 Acosta-Rubio ..... D9/448  
D640,787 S \* 6/2011 Chia ..... D24/130  
D711,516 S \* 8/2014 Guest ..... D23/262  
D721,266 S \* 1/2015 Sun ..... D8/382

(73) Assignee: **EKWB D.O.O.**, Komeda (SI)

**OTHER PUBLICATIONS**

(\*\*) Term: **15 Years**

EKWB Ek-Torque 90 Angled Fitting on new egg.com date first available Dec. 22, 20109; Visited Online Apr. 17, 2020; <https://www.newegg.com/p/37B-000B-00372> (Year: 2019).\*

(21) Appl. No.: **29/675,962**

EKWB Ek-Torque 90 Angled Fitting; Amazon First Available Date: Jun. 21,2019; Visited Online Apr. 17, 2020; <https://www.amazon.com/EKWB-EK-Torque-Angled-Fitting-Nickel/dp/B07TDR LPC6?th=1> (Year: 2019).\*

(22) Filed: **Jan. 7, 2019**

(51) **LOC (12) Cl.** ..... **23-01**

(52) **U.S. Cl.**  
USPC ..... **D23/259**

\* cited by examiner

(58) **Field of Classification Search**  
USPC ..... D23/259, 266, 262-263, 265, 213, 233;  
D24/110-112, 127, 129, 110.6; D8/356,  
D8/382, 395-396; 285/308, 149.6, 320,  
285/148.9, 148.21, 148.22, 148.2, 129.1,  
285/129.2, 134.1; 251/149.6;  
137/614.02, 614.05-614.06, 798, 173,  
137/226, 330; D27/163-169, 194;  
D9/448-450, 453

*Primary Examiner* — Amy C Wierenga

(74) *Attorney, Agent, or Firm* — McGarry Bair PC

CPC ..... F16L 21/08; F16L 27/073; A61M 39/26  
See application file for complete search history.

(57) **CLAIM**

The ornamental design for a fitting, as shown and described.

(56) **References Cited**

**DESCRIPTION**

**U.S. PATENT DOCUMENTS**

3,428,340 A \* 2/1969 Pelton ..... F16L 37/0885  
285/95  
D263,163 S \* 2/1982 Olde ..... D23/262  
D267,506 S \* 1/1983 Evans ..... D23/262  
D272,718 S \* 2/1984 Knudson ..... D8/382  
D297,620 S \* 9/1988 Cracauer ..... D9/447  
D311,606 S \* 10/1990 Henry ..... D23/213

FIG. 1 is a top perspective view of a fitting, showing our new design;

FIG. 2 is a top view thereof;

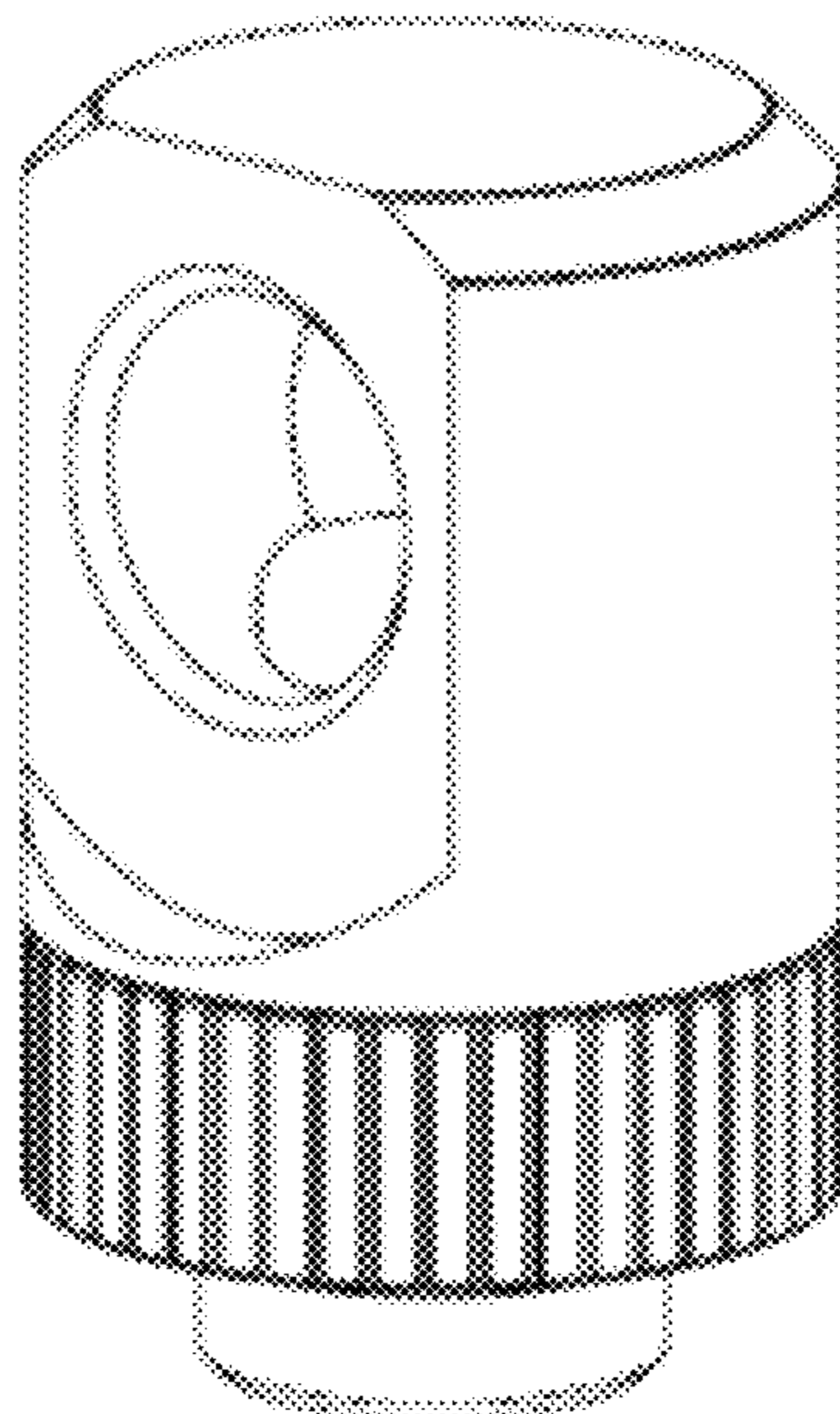
FIG. 3 is a side view thereof;

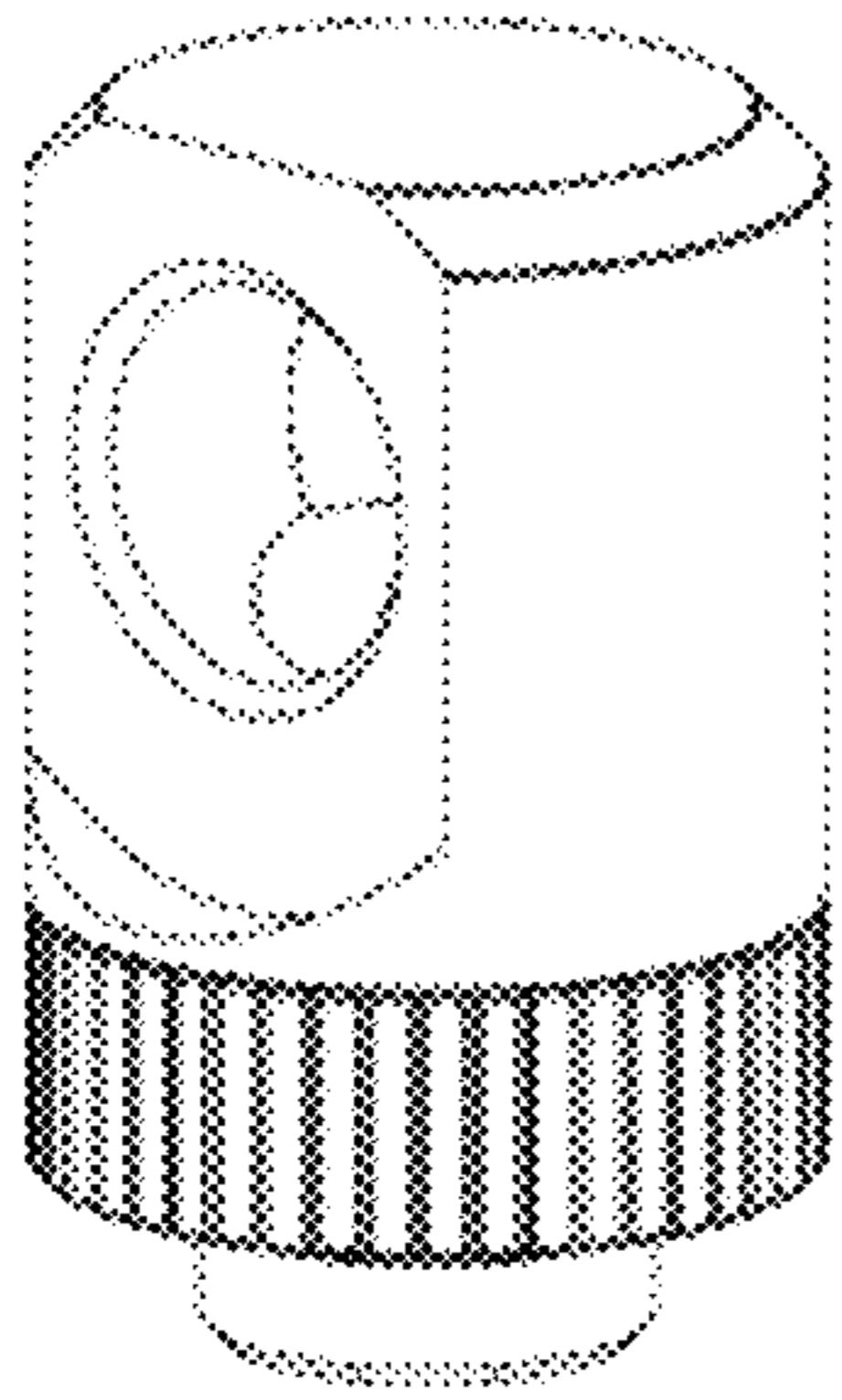
FIG. 4 is a front side view thereof; and,

FIG. 5 is a cross-sectional view thereof, taken along section line V-V of FIG. 4.

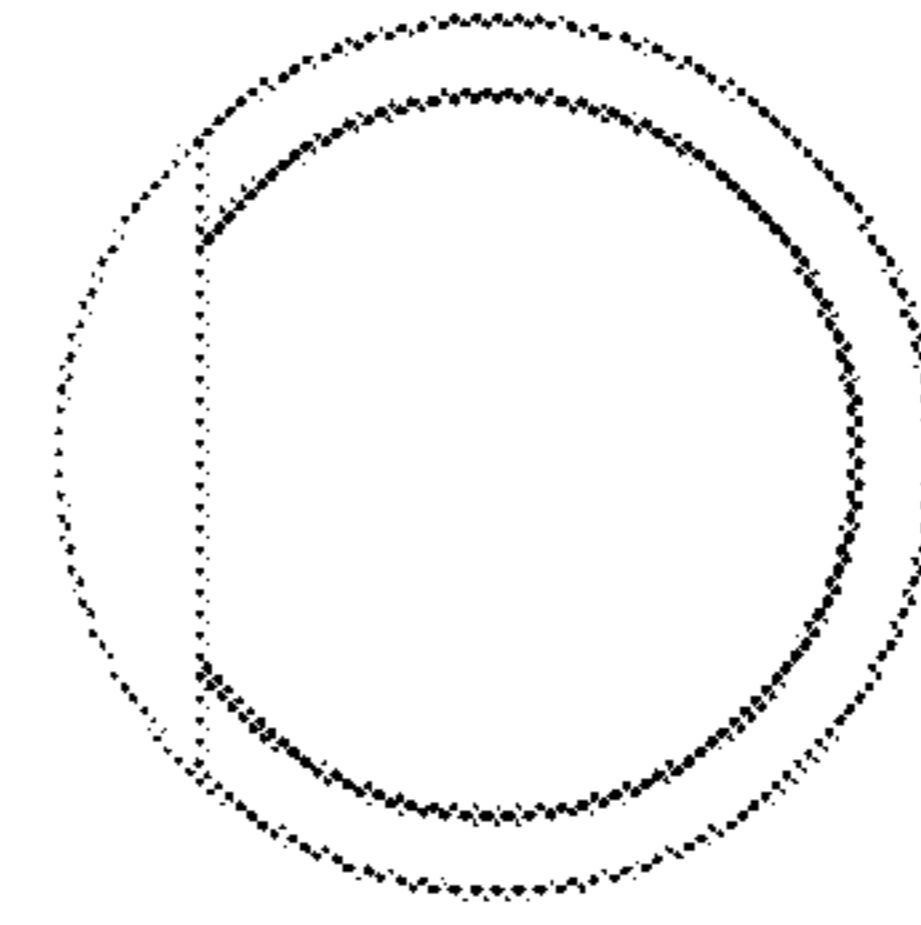
The alternating dashed-line and solid-line pattern shown in the sectional view of FIG. 5 is only included to indicate sectioned portions of the fitting, and forms no part of the claimed design.

**1 Claim, 1 Drawing Sheet**

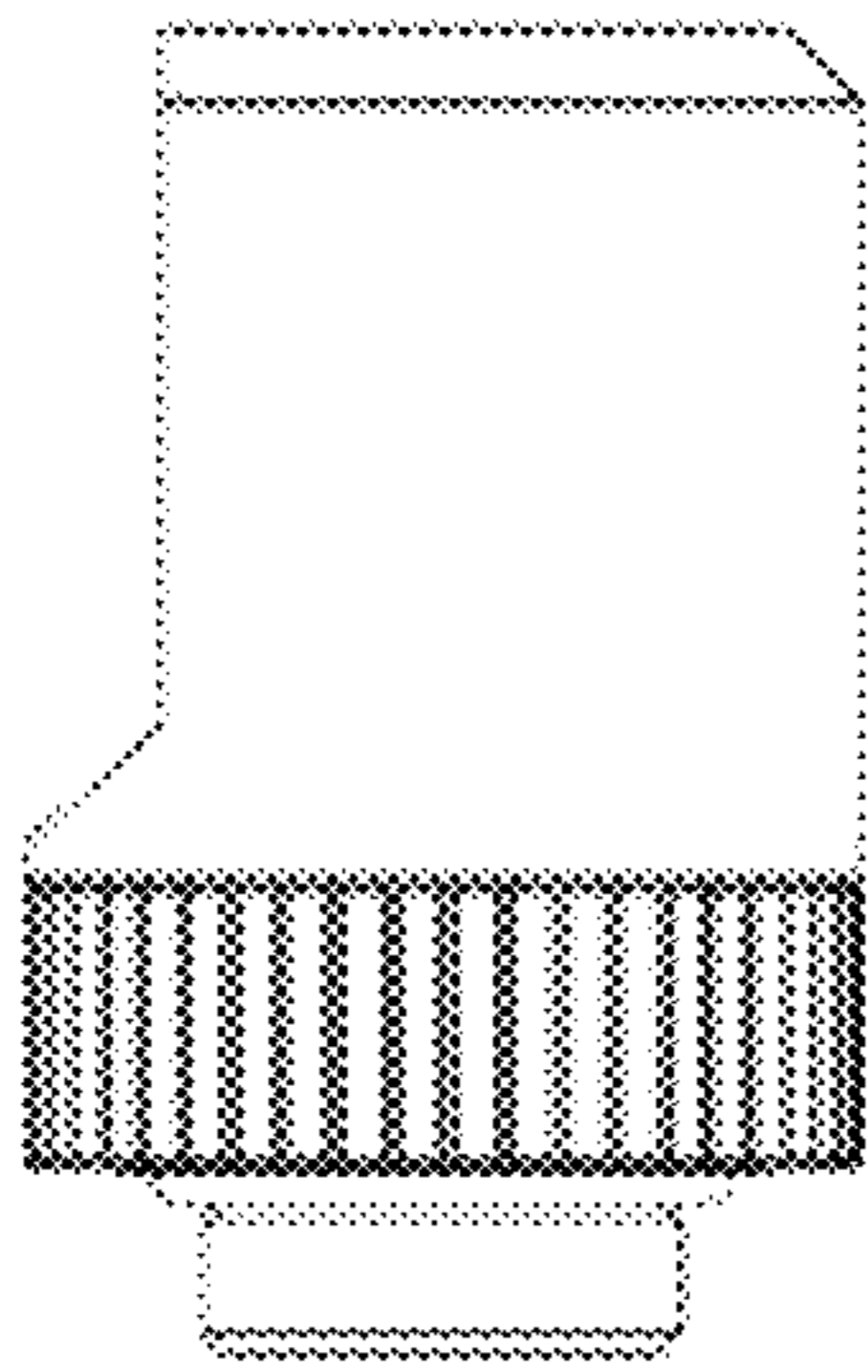




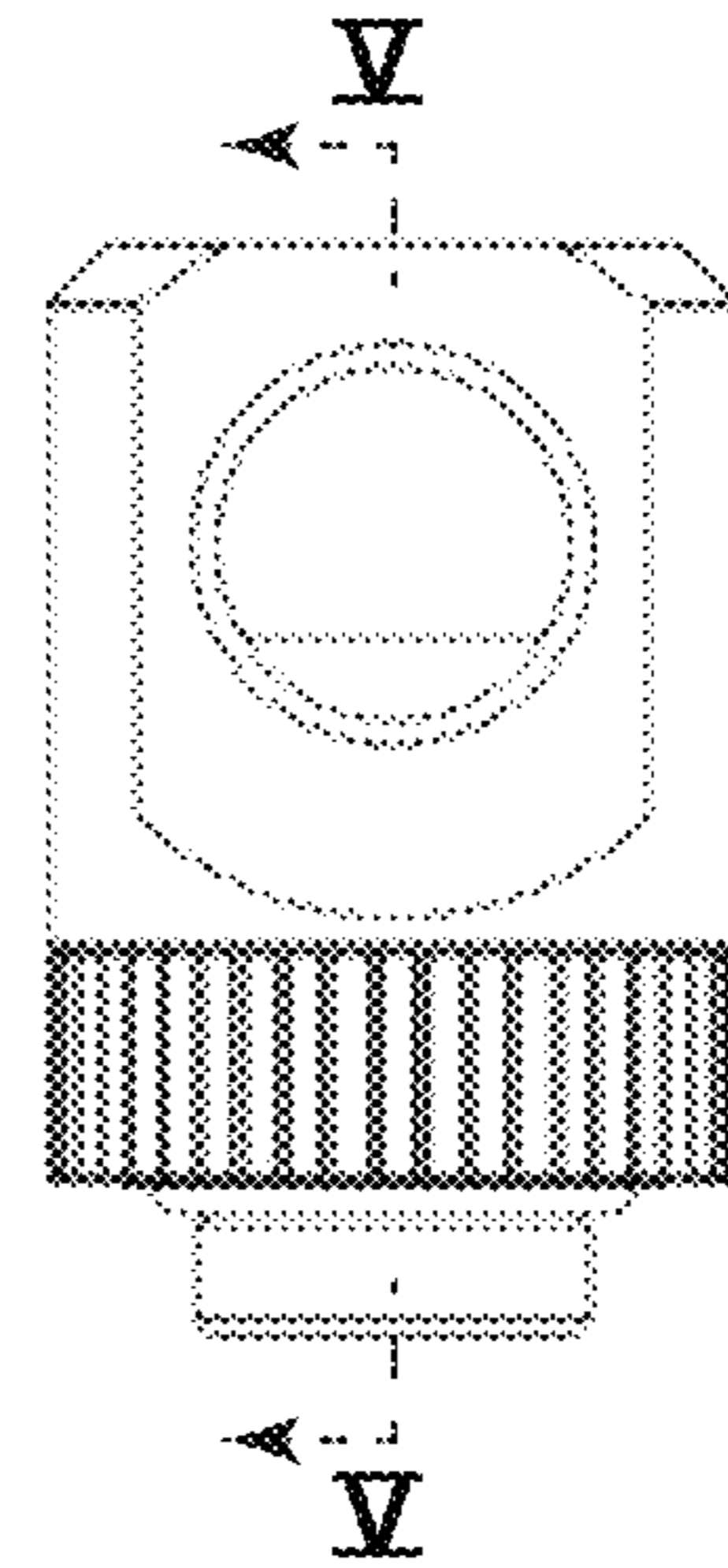
**FIG. 1**



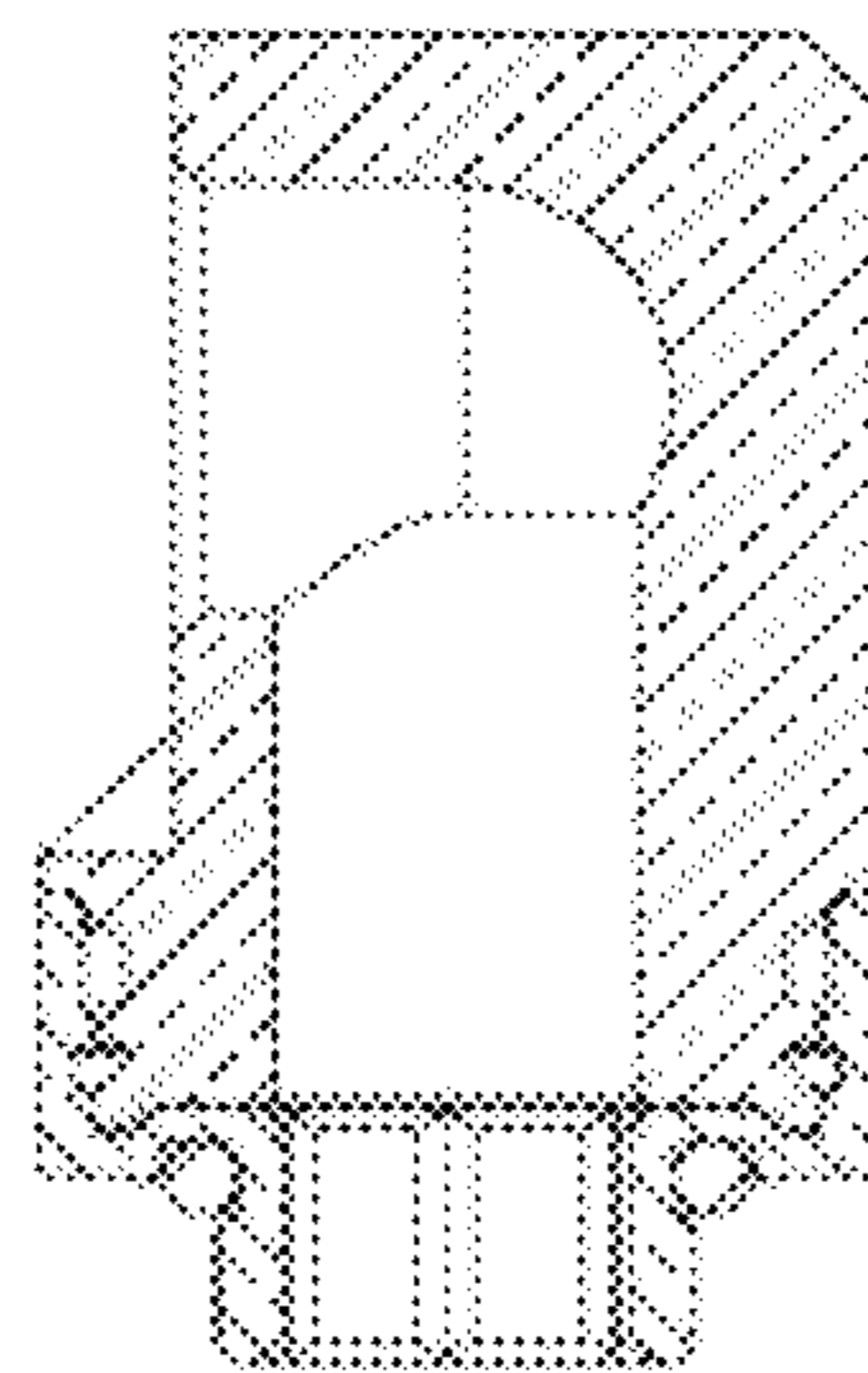
**FIG. 2**



**FIG. 3**



**FIG. 4**



**FIG. 5**